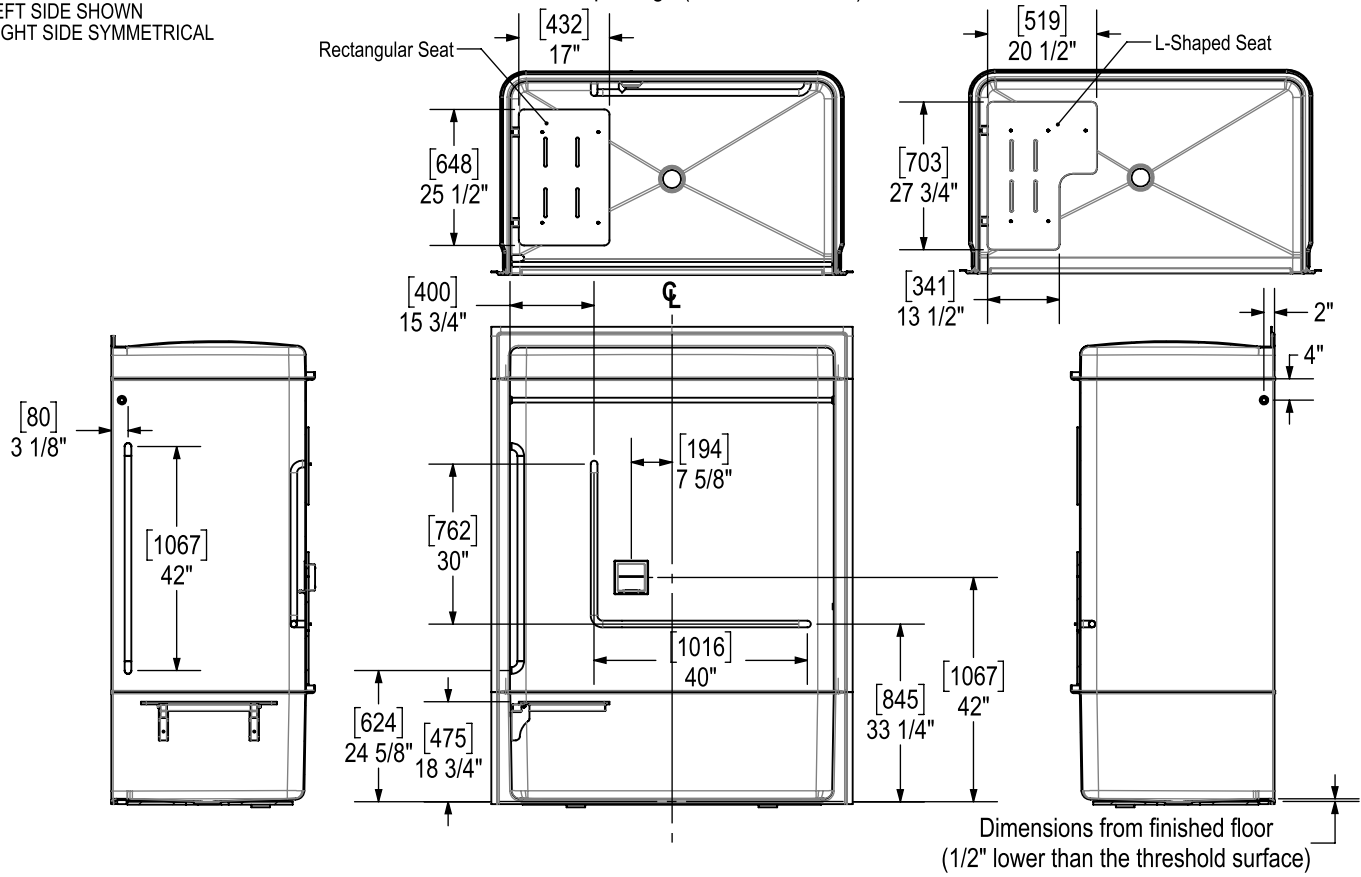


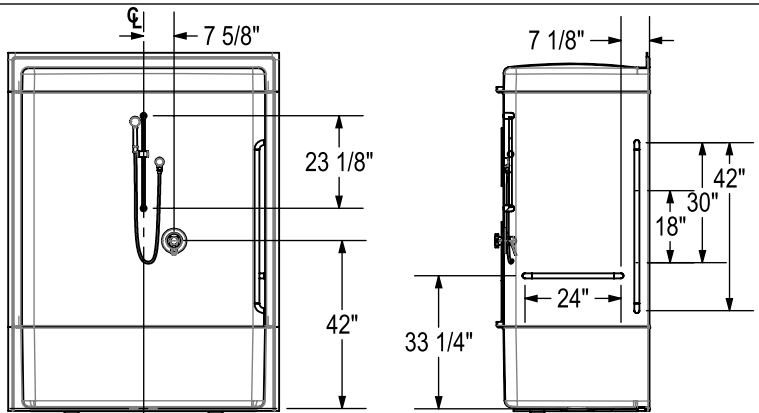
BASE MODEL WITH NATIONAL BUILDING CODE OF Canada package (NBC/OBC/BCBC)

LEFT SIDE SHOWN
RIGHT SIDE SYMMETRICAL

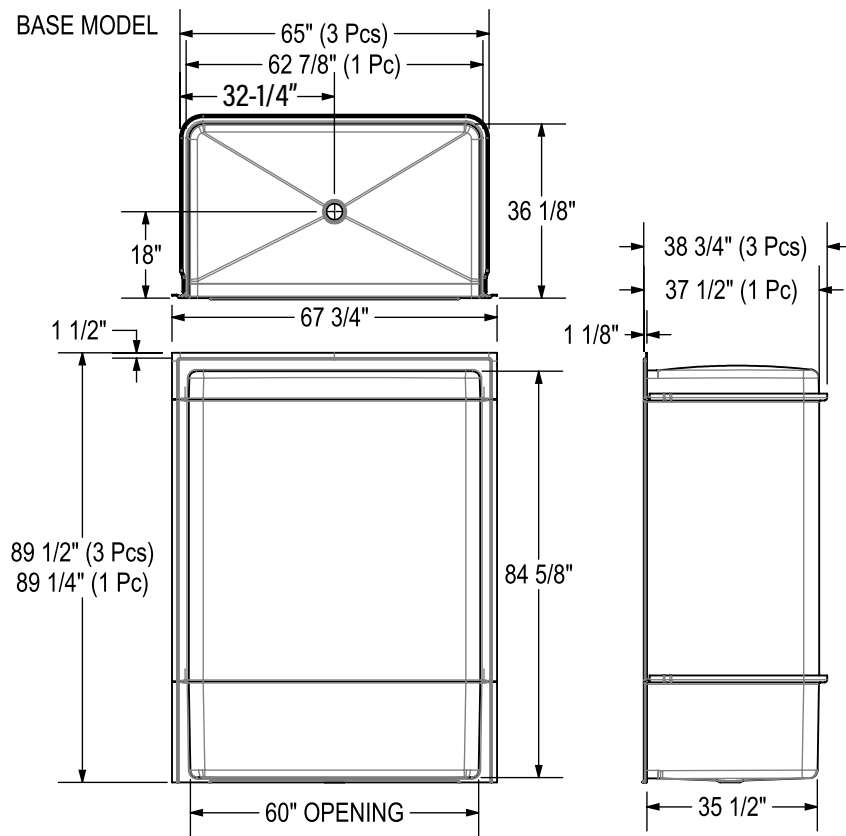


ADDITIONAL OPTIONS

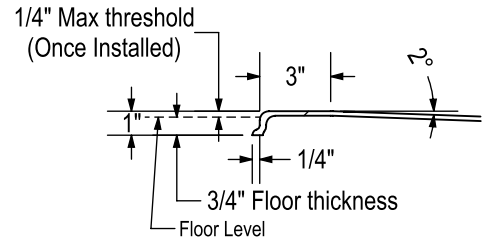
- OPT. 18" Grab Bar Vertical (RH)
- OPT. 24" Grab Bar Horizontal (RH)
- OPT. 30" Grab Bar Vertical (RH)
- OPT. 42" Grab Bar Vertical (RH)
- OPT. 24" Sliding Bar & Valve
- OPT. Shower Drain (Brass or ABS)



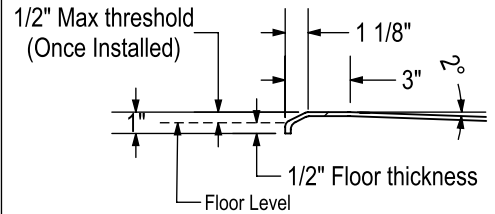
All dimensions are approximate. Structure measurements must be verified against the unit to ensure proper fit.



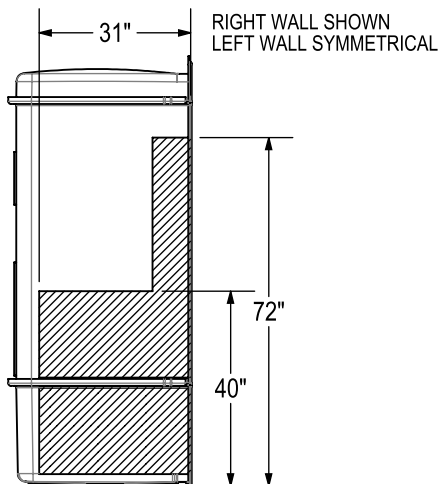
**THRESHOLD DETAIL
TYPE VERTICAL**



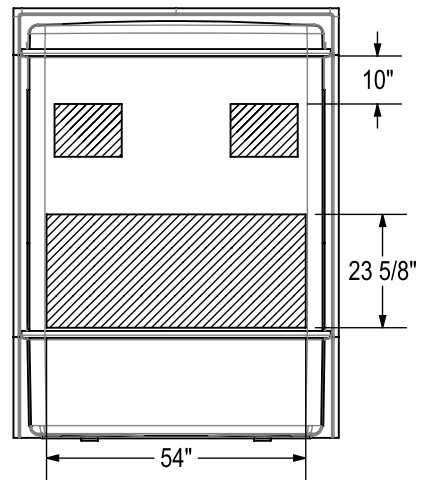
**THRESHOLD DETAIL
TYPE BEVELED**



**REINFORCEMENT
BACKING**



BACK WALL



All dimensions are approximate. Structure measurements must be verified against the unit to ensure proper fit.