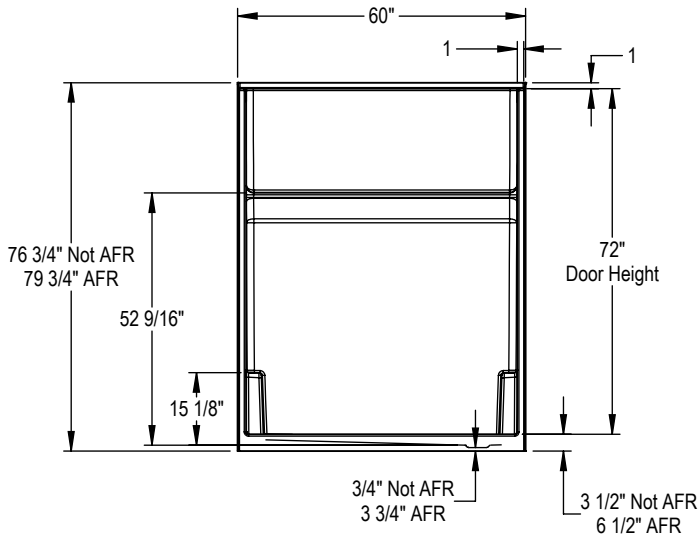
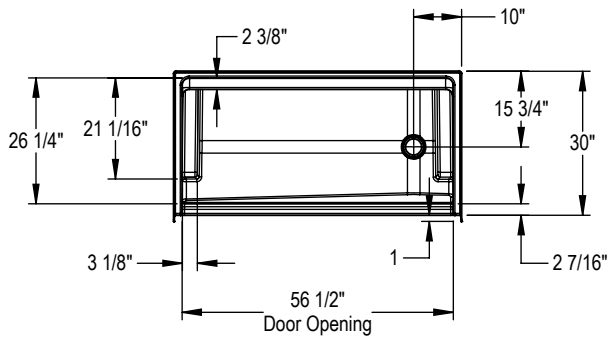
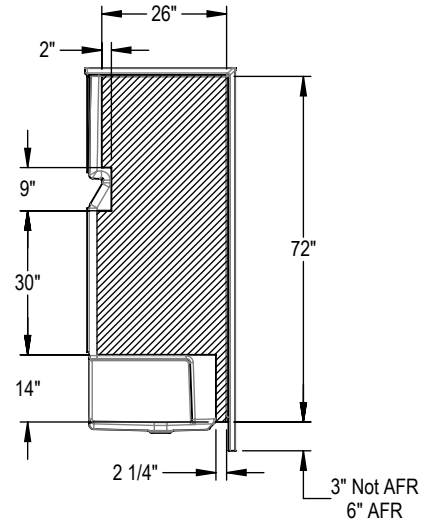


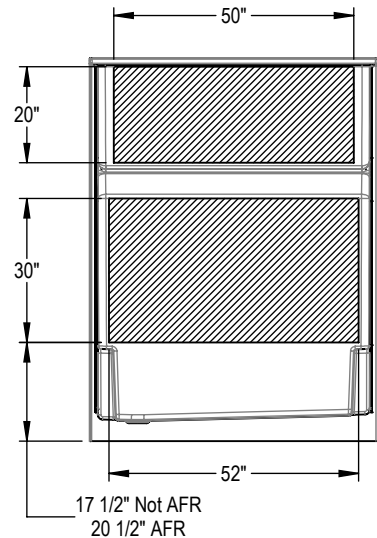
BASE MODEL
Center Drain Shown



REINFORCEMENT OPTION
Left Wall Shown, Symmetrical for Right



REINFORCEMENT OPTION
Back Wall Shown



All dimensions are approximate. Structure measurements must be verified against the unit to ensure proper fit.