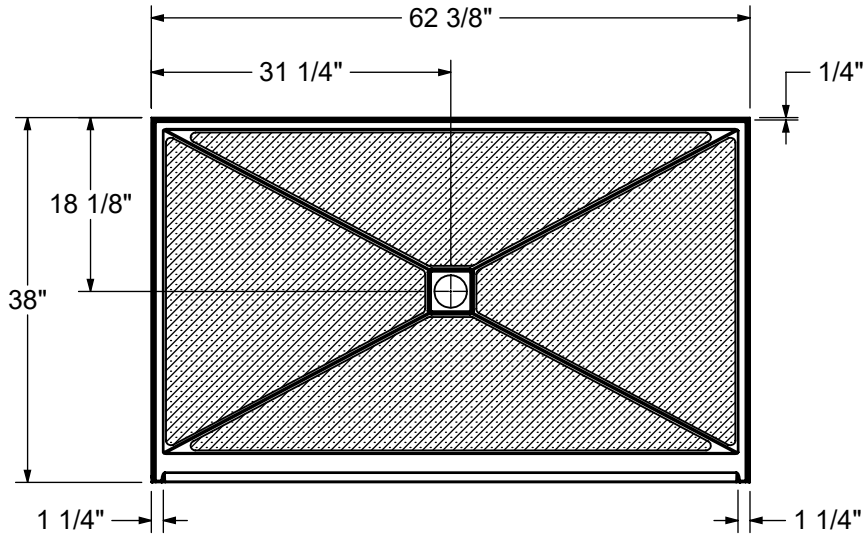
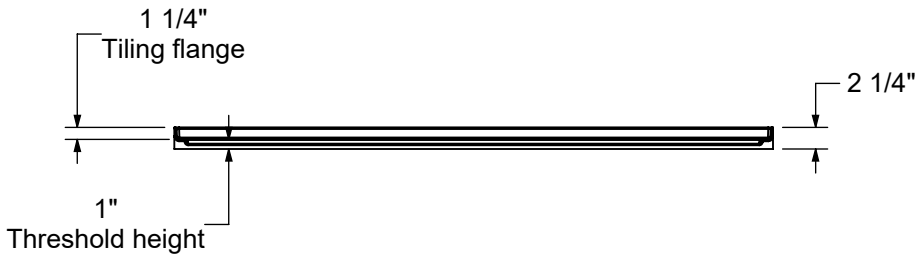
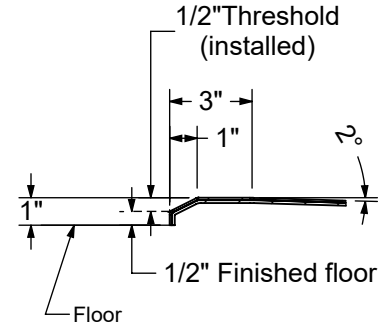


## BASE

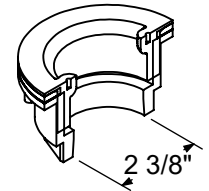
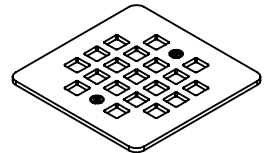
The hatched area represents the Stabili-T surface



## THRESHOLD DETAIL



## DRAIN INCLUDED



All dimensions are approximate. Structure measurements must be verified against the unit to ensure proper fit.