

INSTALLATION INSTRUCTIONS

FREESTANDING TUB

2764 SERIES

HIGH GLOSS ACRYLIC SURFACE

BEFORE YOU BEGIN...

Local building codes vary by location. Observe all local plumbing and building codes.

Your new bath is shipped to you after careful inspection.

To ensure maximum performance and pleasure from this product, please follow the instructions and cautions.

⚠ NOTE: Take extra care in handling surfaces of the bath. Use only non-abrasive cloths to avoid scratching.

⚠ BEFORE INSTALLING : please see your product spec page to verify the dimensions and water supply connections. Visit our website where you can search by Model number for the product spec page at: <http://www.americanstandard-us.com/>

TOOLS & MATERIALS REQUIRED

TOOLS:

- Level
- Square
- Tape Measure
- Pipe Wrench
- Slip Joint Pliers
- Screw Driver
- Standard Woodworking Tools
- Personal Safety Equipment
- Caulking Gun
- Adjustable Wrench
- 3/32" Allen Wrench
- Hacksaw
- Sandpaper

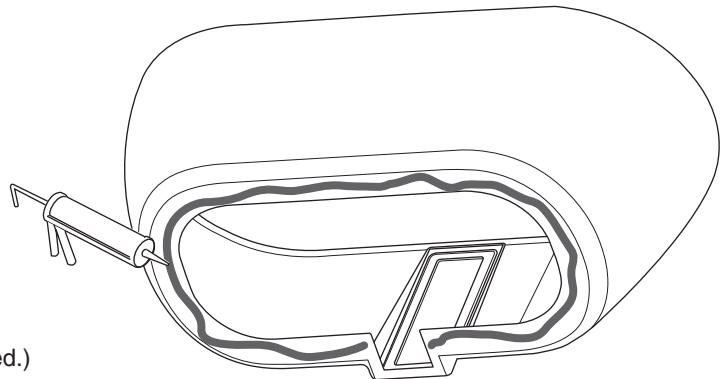
MATERIALS:

- Screws
- Silicone Caulking

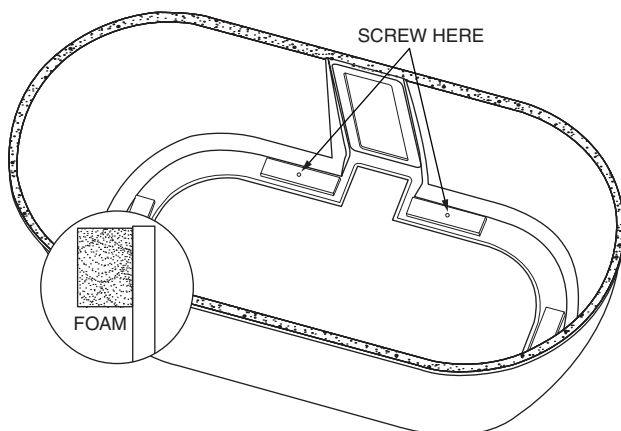
1 INSTALLATION INSTRUCTIONS:

- Set up the cover in the desired location. Locate the drain outlet location and supply line locations for the faucet (see faucet instructions).
- Recommend cutting floor cutout - 10" x 5-5/8" (254mm x 143mm) use cover as guide, as shown in rough-in detail.
- Mark lines on the floor for the cover location. Use these to relocate cover.
- Turn the cover over and apply silicone caulking to the bottom of the cover as shown.

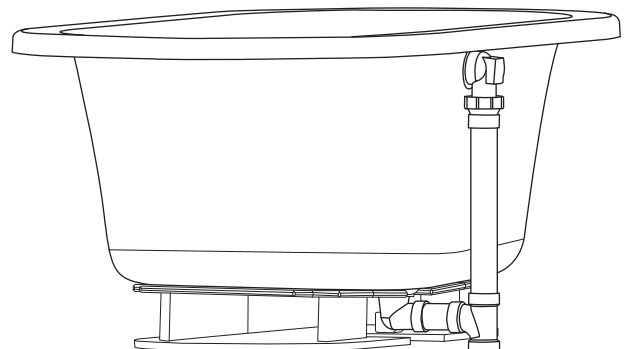
(Note: See instructions for the **Overflow Drain Kit** included.)



- Set cover down in place and secure to the floor with 6 screws (not provided) through wood strip locations.
 - Apply foam tape to outside top edge, even with the top edge. Trim away excess gasket.



- Assemble drain to tub per instructions below.



DRAIN Step 1

DRAIN INSTALLATION INSTRUCTIONS:

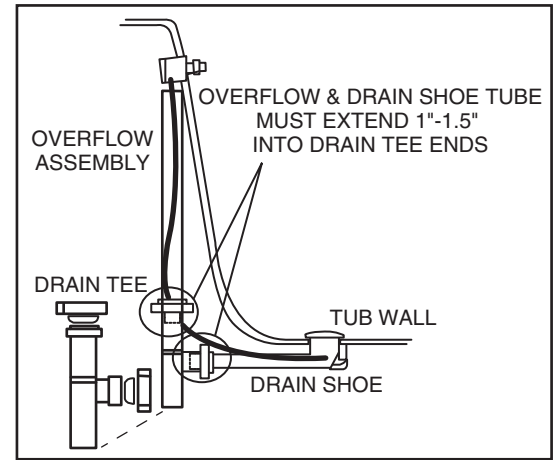
Slide the drain nuts and poly-vinyl washers onto the overflow and drain tubes.

Assemble the overflow and drain tubes loosely to the drain tee.

Note: The beveled edge of the washer and threaded side of the nut must face the drain tee prior to assembly.

Dry mount the Overflow Assembly and Drain Shoe onto tub as shown.

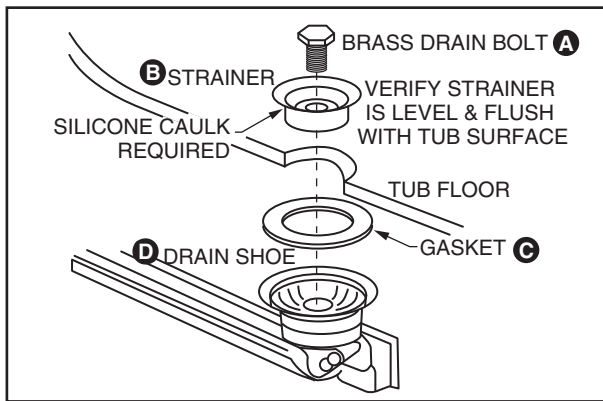
Note: DO NOT detach Drain Shoe Cable for any reason. Cut Overflow Assembly Tube and Drain Shoe Tube ends as necessary to achieve fit. Remove rough edges with sandpaper prior to assembly.



DRAIN Step 2

Install Drain Shoe (D) using supplied brass Drain Bolt (A), Strainer (B) and Gasket (C) as illustrated. Tighten Drain Bolt (A) to secure. Do not overtighten or Drain Shoe assembly may be damaged.

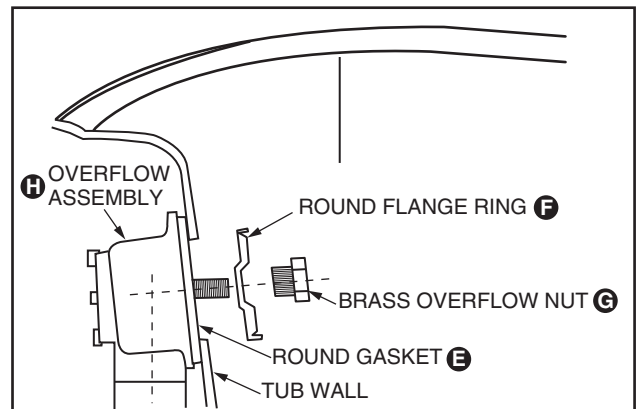
Note: The top tub lip MUST be level. Verify top and bottom tub floor sealing surfaces are clean, flat and smooth prior to assembly.



DRAIN Step 3

Install Overflow Assembly (H) using supplied Round Gasket (E), Flange Ring (F) and Brass Overflow Nut (G). Finger tighten Brass Overflow Nut (G).

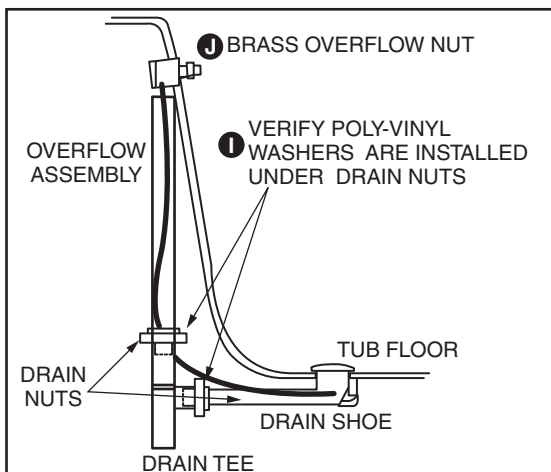
Note: Brass Overflow Nut (G) to be tightened further upon completion of Step 4.



DRAIN Step 4

Verify Poly-Vinyl Washers (I) are installed under Drain Nuts (beveled side inward). Tighten Drain Nuts to secure Drain Tee.

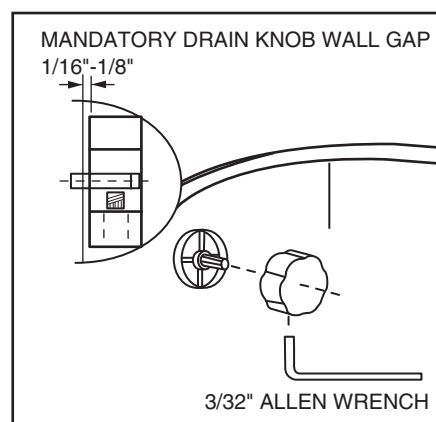
Finally, tighten Brass Overflow Nut (J) with an adjustable wrench to secure Overflow. Do Not Overtighten!



DRAIN Step 5

Install Drain Knob over Overflow Shaft (set screw against flat surface). Then adjust Knob for a 1/16"-1/8" wall gap as illustrated. Finally, tighten set screw to secure.

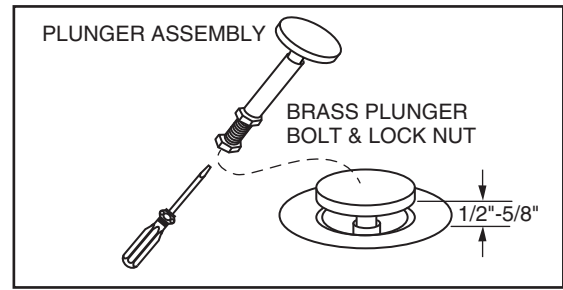
CAUTION: Drain Knob wall gap is mandatory to allow water to escape, preventing overflows.



DRAIN Step 6

Adjust brass Plunger Bolt and Lock Nut for a 1/2"-5/8" minimum opening, then tighten Lock Nut against Plunger Shaft to secure height adjustment.

⚠ CAUTION: Plunger Lock Nut must be tightened against plunger shaft prior to tub use.

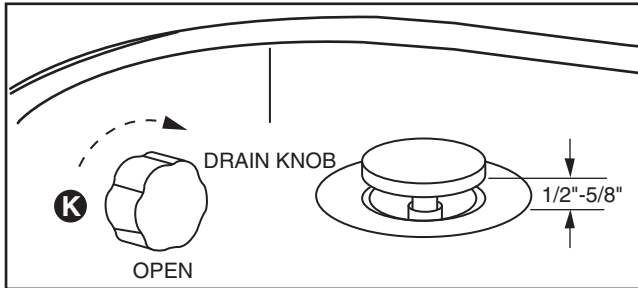


DRAIN Step 7

TEST DRAIN OPERATION BY TURNING OVERFLOW HANDLE AS FOLLOWS:

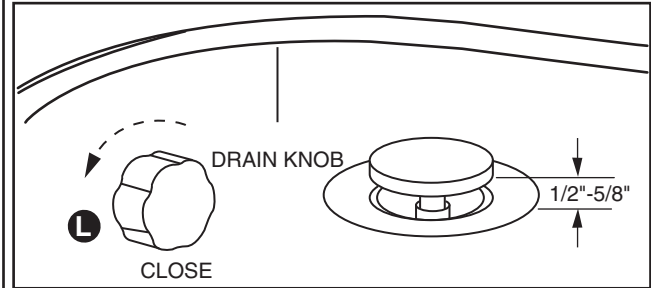
TO OPEN DRAIN:

Turn knob 1/8 turn clockwise (K).



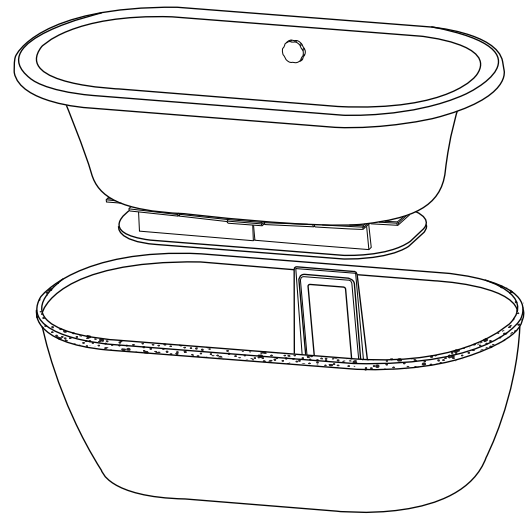
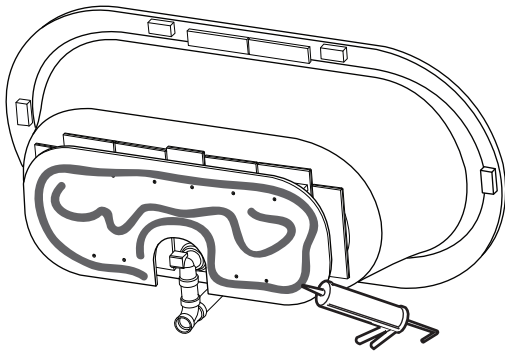
TO CLOSE DRAIN:

Turn knob 1/8 turn counterclockwise (L).



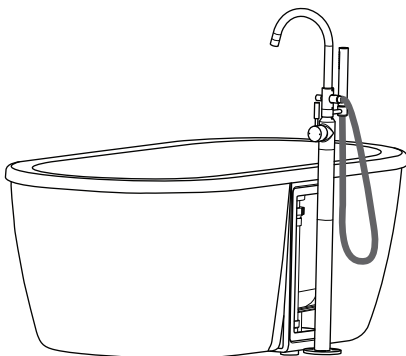
4

- Apply silicone caulk to the bottom of tub as shown.
- Place tub into cover. Make sure to evenly center the tub onto the cover. The gasket will be compressed between the tub and cover.



5

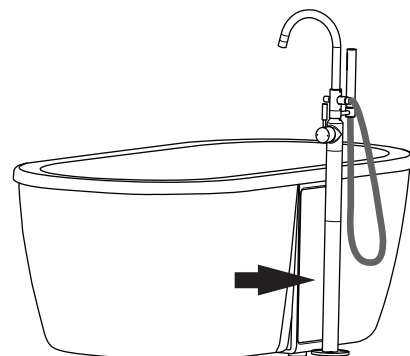
- Tighten drain connections through access panel and install faucet per instructions included.



TUB SHOWN WITH OPTIONAL FREESTANDING TUB FILLER INSTALLED

6

- Push drain access panel in place.



TUB SHOWN WITH OPTIONAL FREESTANDING TUB FILLER INSTALLED

POST INSTALLATION CLEAN-UP

Remove all construction debris from bath. Do not use wire brushes or any other metal implement on bath surface.

Post installation clean-up generally can be completed using warm water and liquid dishwashing detergent. Stubborn dirt or stains may be removed using granular Spic and Span® mixed with water.

Painter's naphtha can be used to remove excess adhesives and/or wet oil-base paint.

FEATURES of YOUR NEW BATHTUB

Your new bathtub has been molded in the newest plumbing fixture material available today. The unit has a tough durable finishes that is simple and easy to care for. The colors have been formulated to match other fixtures and enhance your choice of bathroom decorations. The high gloss surface is resistant to impact and chemicals and will retain its lasting luster with proper care and maintenance.

AFTERCARE and CLEANING

- Always fill the tub with temperate water. Excessively hot water may cause surface damage.
- Remove bath mat after use and hang to dry. Allowing bath mat to dry in the tub may cause surface damage.
- Clean after use with a mild liquid household detergent cleaner. Abrasive cleaners such as Lestoil®, Lysol® Disinfectant (spray or concentrate), or Lysol® Basin, Tub and Tile Cleaner, Windex®, Mr. Clean®, Dow® Disinfectant Bathroom Cleaner, or cleaning products in aerosol cans should not be used.

HARSH CHEMICALS SHOULD NEVER BE USED ON ACRYLIC SURFACES.

- Do not use wire brushes, knives or sharp objects to remove stains, cigarette tar deposits, or other surface blemishes.
- Abrasive cleaners or powders must not be used, since they will dull the surface. If the glossy surface loses its sheen, dulled areas can be restored by rubbing with a white polishing compound and waxing with a "liquid wax."
- **Do not wax areas where you walk or stand.**
- Do not allow nail polish remover, acetone, dry cleaning fluid, paint remover or other solvents to come into contact with the surface.
- Clean the surrounding surface immediately after using caustic drain cleaners.
- Burning cigarettes will damage the surface.
- Should damage to the fixture occur, repairs can be made. Your distributor or builder can provide details.

SPIC AND SPAN® is a registered trademark of The Spic And Span Company
LESTOIL® is a registered trademark of the Clorox Company
LYSOL® is a registered trademark of Reckitt Benckiser
WINDEX® is a registered trademark of S.C. Johnson & Son, Inc
MR. CLEAN® is a registered trademark of Agile Pursuits Franchising, Inc.
DOW® is a registered trademark of Dow Chemical Company