

# **INSTALLATION AND OPERATION MANUAL**

**MODEL 2742**

**MODEL 2748**

**MODEL 2806**

**MODEL 2903**

**MODEL 2932**

**MODEL 2934**

**MODEL 2938**

**MODEL 2940**

**MODEL 3571**

**MODEL 3572**

**MODEL 3573**







**MODEL 3574**

**MODEL 3575**

**MODEL 3581**

# IMPORTANT SAFETY INSTRUCTIONS

## READ AND FOLLOW ALL INSTRUCTIONS!

-  **WARNING: Risk of personal injury.** Do not permit children to use this bathtub without adult supervision. Never drop or insert any object into any opening. Do not operate this unit without the guard over the suction fitting.
-  **WARNING: Risk of electric shock.** Do not permit electrical appliances near any bathtub when bathtub contains water.
-  **WARNING: Risk of hyperthermia and possible drowning.** People using medications and/or having adverse medical history should consult a physician before using this product.
-  **WARNING: Risk of personal injury.** Do not overfill bathtub before entering. Entering tub when filled more than 2/3 can cause overflow and slippery conditions. Exercise caution when entering and exiting.
-  **WARNING: No Food or Alcoholic Beverages.** Use of your bathtub immediately after meals is not recommended. Avoid alcohol consumption before or during bathing. Alcoholic beverages can cause drowsiness or hyperthermia resulting in loss of consciousness or even drowning.
-  **WARNING: Pregnancy.** If you are or think you may be pregnant, consult your physician before using the bathtub.

Use this unit only for its intended use as described in this manual.

The unit must be connected only to a supply circuit that is properly protected by a ground-fault circuit-interrupter (GFCI). Such a GFCI should be provided by the installer and should be tested on a routine basis. To test the GFCI, push the test button. The GFCI should interrupt power. Push the reset button. Power should be restored. If the GFCI fails to operate in this manner, the GFCI is defective. If the GFCI interrupts power to the bathtub without the test button being pushed, a ground current is flowing, indicating the possibility of an electric shock. Do not use this air bath. Disconnect the air bath and have the problem corrected by a licensed electrician before using.

## SAVE THESE INSTRUCTIONS

# Installation and Framing Instructions

Each bath arrives ready for installation, completely equipped with the pump/blower electronics and plumbing necessary for operation. However, a drain/overflow kit is required for each bath and it is not included.

The variety of installations for this bath may require framing procedures other than those shown. Locate studs as required. Ensure roughing-in dimensions are proper, plumb, and square.

- ⚠ Remove the bath from the carton. Retain the shipping carton until satisfactory inspection of the product has been made. Do not lift the bath by the plumbing at any time; handle by the shell only.
- ⚠ All bath units are factory tested for proper operation and watertight connections prior to shipping. Prior to installation, the bath must be filled with water and operated to check for leaks that may have resulted from shipping damage or mishandling.
- ⚠ The sumps of these baths are supported by feet and no additional sump support is required. Once the bath is in place, the feet should be shimmed and secured accordingly so that the rim of the bath contacts the stringer or pier but supports no weight.
- ⚠ Provisions must be made in all installations for an access opening for servicing the bath pump/blower. Unless an access opening of at least 12" x 24" (305mm x 610mm) is provided, warranty service will not be performed. It is strongly recommended that an additional opening be provided for access to drain components.
- ⚠ Each bath has a nominal length (L), width (W), and Height (H) along with a rim height. Unless otherwise noted in the following rough-in references, assume that the nominal tolerances are as much as +/-1/4 inch (6mm). Therefore, it is strongly recommended that the installer build the surrounding structure after receiving the actual bath. Structural measurements should be verified against the actual bath received to ensure proper fit.

## POST INSTALLATION CLEAN-UP

Remove all construction debris from bath. Tile grout can be removed with a wooden popsicle stick or tongue depressor.

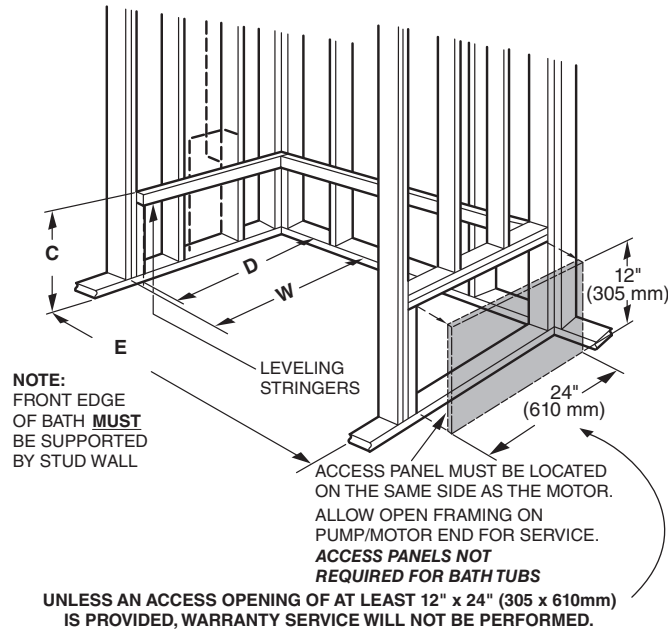
Do not use wire brushes or any other metal implement on bath surface.

Post installation clean-up generally can be completed using warm water and liquid dishwashing detergent.

Stubborn dirt or stains may be removed using granular Spic and Span<sup>®</sup> mixed with water.

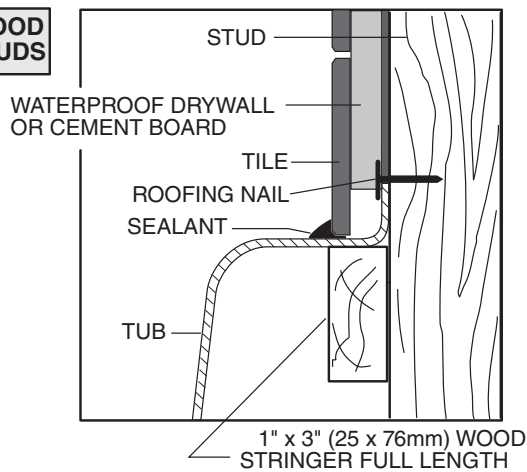
Painter's naphtha can be used to remove excess adhesives and/or wet oil-base paint.

## ROUGH-IN REFERENCES FOR RECESS TYPE INSTALLATIONS

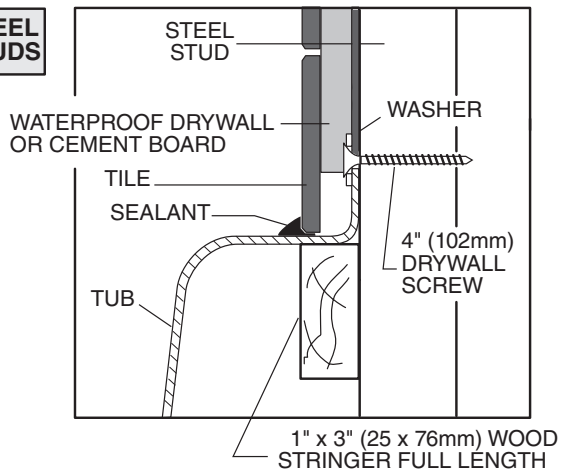


### TYPICAL TILE FLANGE INSTALLATION

#### WOOD STUDS

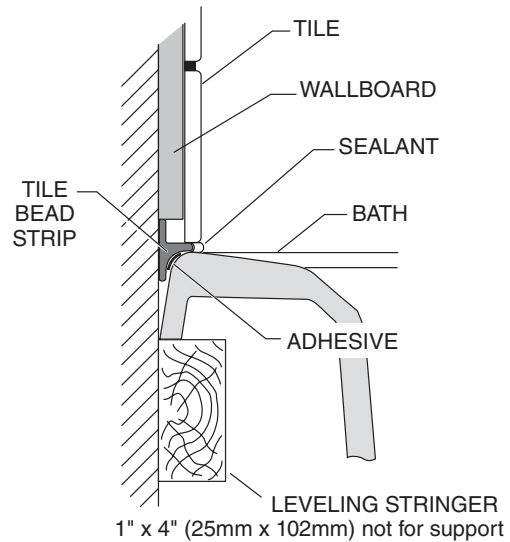


#### STEEL STUDS



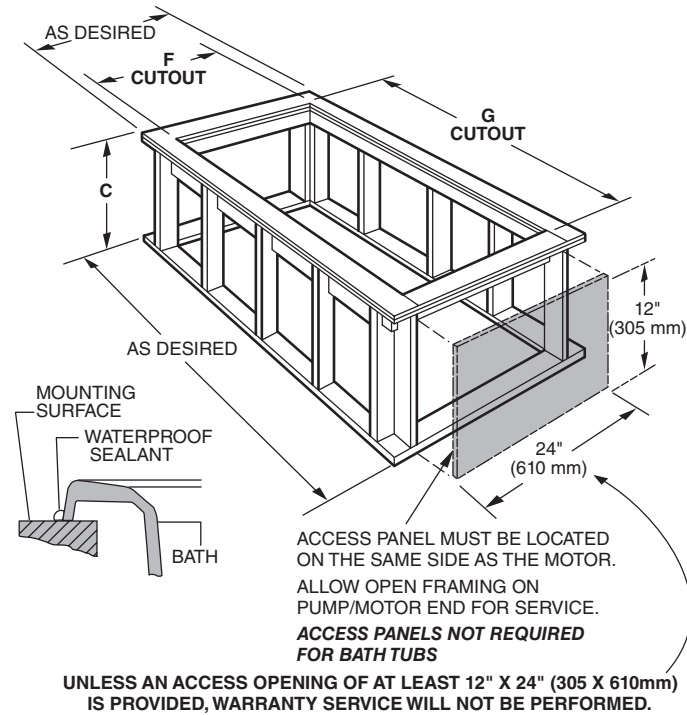
**SECURE THE BATH TO THE STUDS AS SHOWN FOR WOOD OR STEEL STUD CONSTRUCTION.**

### TYPICAL TILE BEAD INSTALLATION



**NOTE:** Tile bead kit not included and must be purchased separately.

## ROUGH-IN REFERENCES FOR PIER TYPE INSTALLATIONS

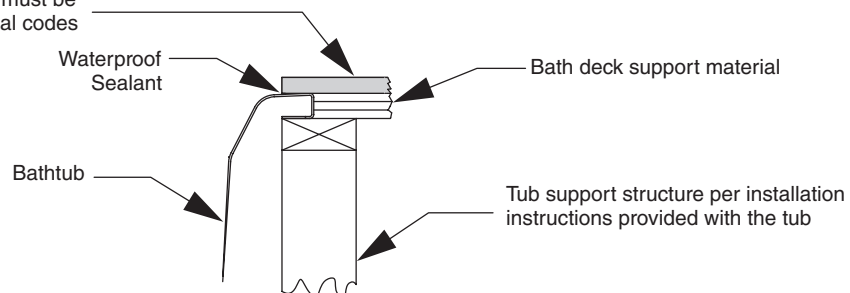


## UNDER DECK MOUNTING INSTRUCTIONS

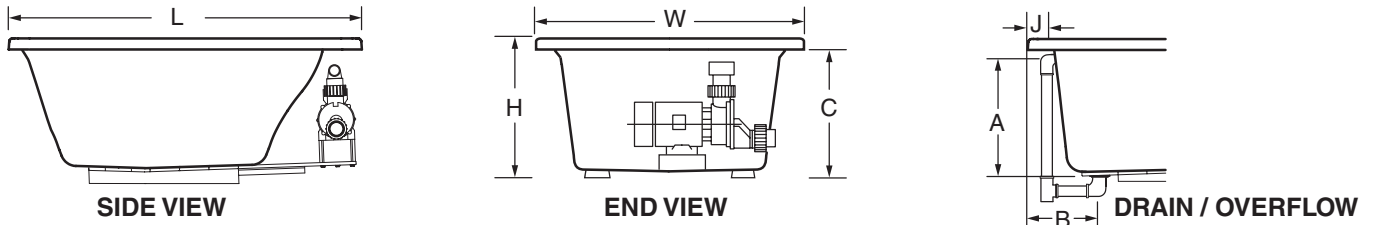
Please note that care must be taken to protect the surface of the tub during all aspects of the installation. Do not drill or cut the bath deck with the tub directly beneath it as damage to the tub may result.

1. Install the tub per the installation instructions provided with the unit.
2. Prepare the bath deck support structure per the local codes. Note - the bath deck must be self supporting.
3. Cut bath deck to your specifications.
4. Place the bath deck in position and trace the opening on the tub with a soft pencil. Do not drill or cut the bath deck with the tub directly beneath it as damage to the tub may result.
5. Remove the bath deck and apply a generous bead of waterproof sealant on the outer edge of the traced line.
6. Replace the bath deck and secure it into place.
7. Apply additional sealant along the tub and bath deck interface as necessary to ensure a watertight seal.
8. Remove excess sealant per the manufacturer's instructions.

Finished bath deck surface material must be self-supporting and secured per local codes



**SPECIFICATIONS:**

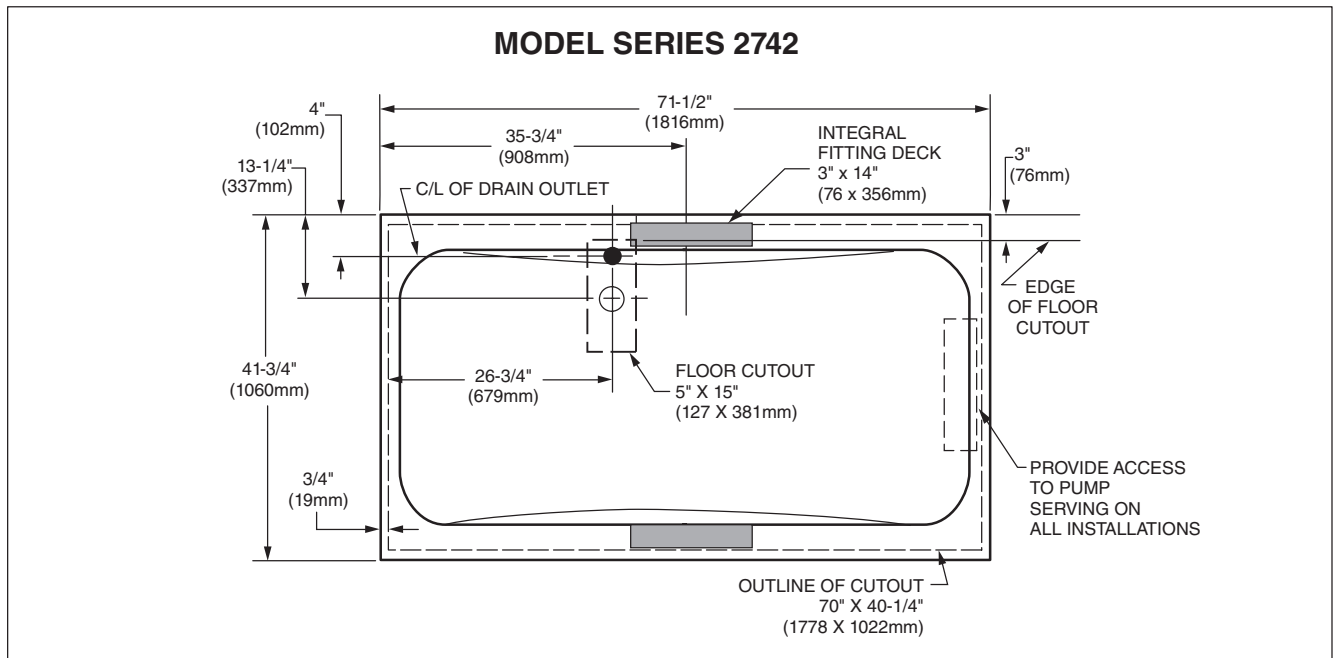


**GENERAL SPECIFICATIONS FOR WHIRLPOOLS AND BATH TUBS**

Description	Dimensions L-W-H	Drain / Overflow	Height to Underside of Deck Edge: C	Cut Out Pier G x F	Rough-In Recess E x D	Tab Edge to Centerline Overflow: J	Weight with Water / Floor Loading	Product Weight	Gallon to Overflow	Whirlpool Operating Volume
2742 6' x 42"	L 71-1/2" (1816mm) W 41-3/4" (1060mm) H 22" (559mm)	A 16-1/4" (413mm) B 13-1/4" (337mm)	C 20" (508mm)	70" (1778mm) x 40-1/4" (1022mm)	71-11/16" (1821mm) x 40-1/4" (1022mm)	4" (102mm)	690 lb. (313 kg)/ 33 lb./sq.ft. (161 kg/sq.m)	115 lb. (52 kg.)	69 gal. (261 l.)	60 gal. (227 l.)
2748 5' x 42"	L 59-1/2" (1511mm) W 41-5/8" (1057mm) H 23" (584mm)	A 14-1/2" (368mm) B 14-1/2" (368mm)	C 21" (533mm)	58" (1473mm) x 40-1/8" (1019mm)	59-11/16" (1517mm) x 40-1/8" (1019mm)	5-1/4" (133mm)	611 lb. (277 kg)/ 40 lb./sq.ft. (196 kg/sq.m)	110 lb. (50 kg.)	60 gal. (227 l.)	55 gal. (208 l.)
2806 6' x 36"	L 72" (1829mm) W 35-3/4" (908mm) H 21-1/2" (546mm)	A 17" (432mm) B 11" (279mm)	C 19-1/2" (495mm)	Template Provided	As Desired	5-1/2" (140mm)	744 lb. (338 kg)/ 41 lb./sq.ft. (200 kg/sq.m)	135 lb. (61 kg.)	73 gal. (276 l.)	44 gal. (166 l.)
2903 5' x 42"	L 60" (1524mm) W 42-1/4" (1073mm) H 21-1/4" (540mm)	A 17" (432mm) B 9-1/2" (241mm)	C 19-1/4" (489mm)	Template Provided	As Desired	3" (76mm)	640 lb. (291 kg)/ 35 lb./sq.ft. (171 kg/sq.m)	107 lb. (49 kg.)	64 gal. (242 l.)	53 gal. (200 l.)

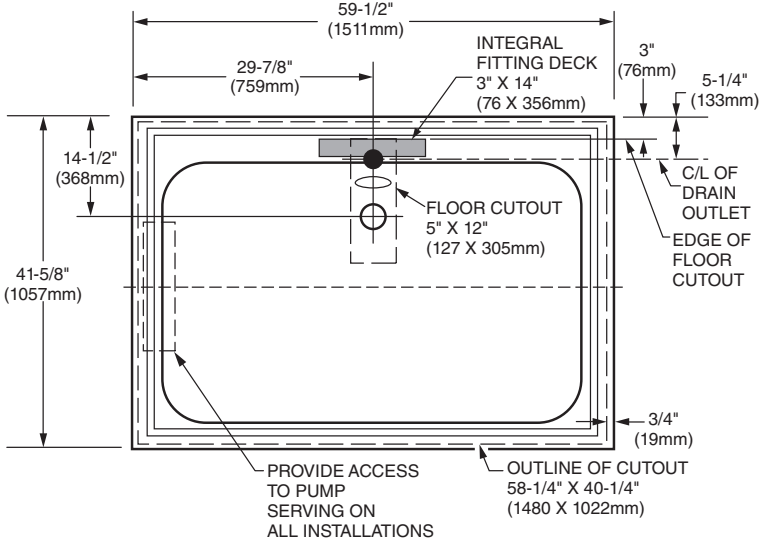
**TABLE 1**

**ROUGH-IN REFERENCES**

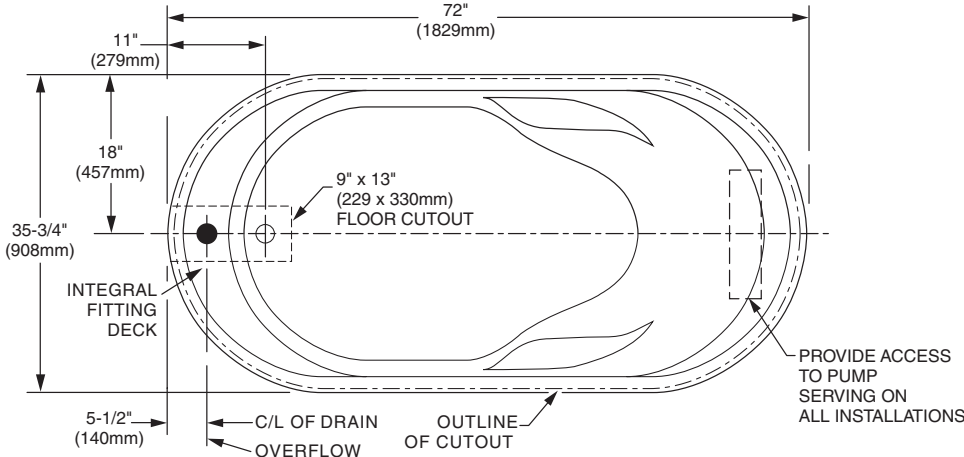


**ROUGH-IN REFERENCES**

**MODEL SERIES 2748**

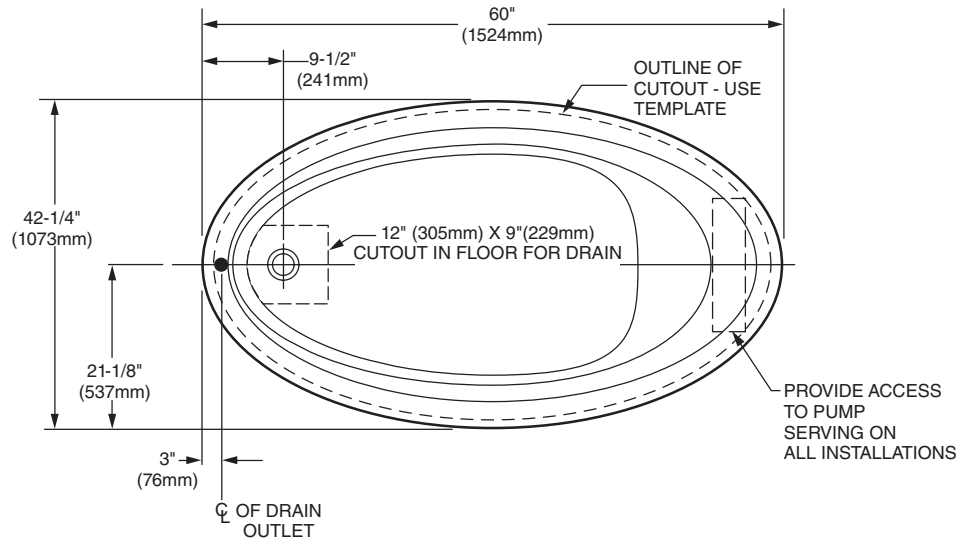


**MODEL SERIES 2806**

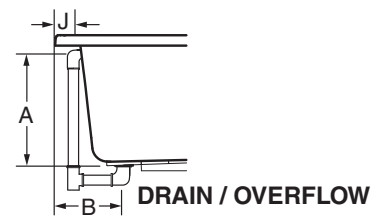
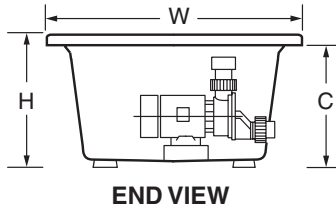
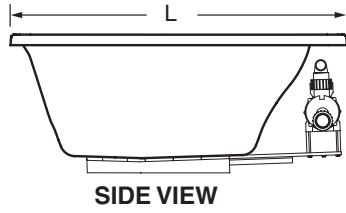


# ROUGH-IN REFERENCES

## MODEL SERIES 2903



**SPECIFICATIONS:**

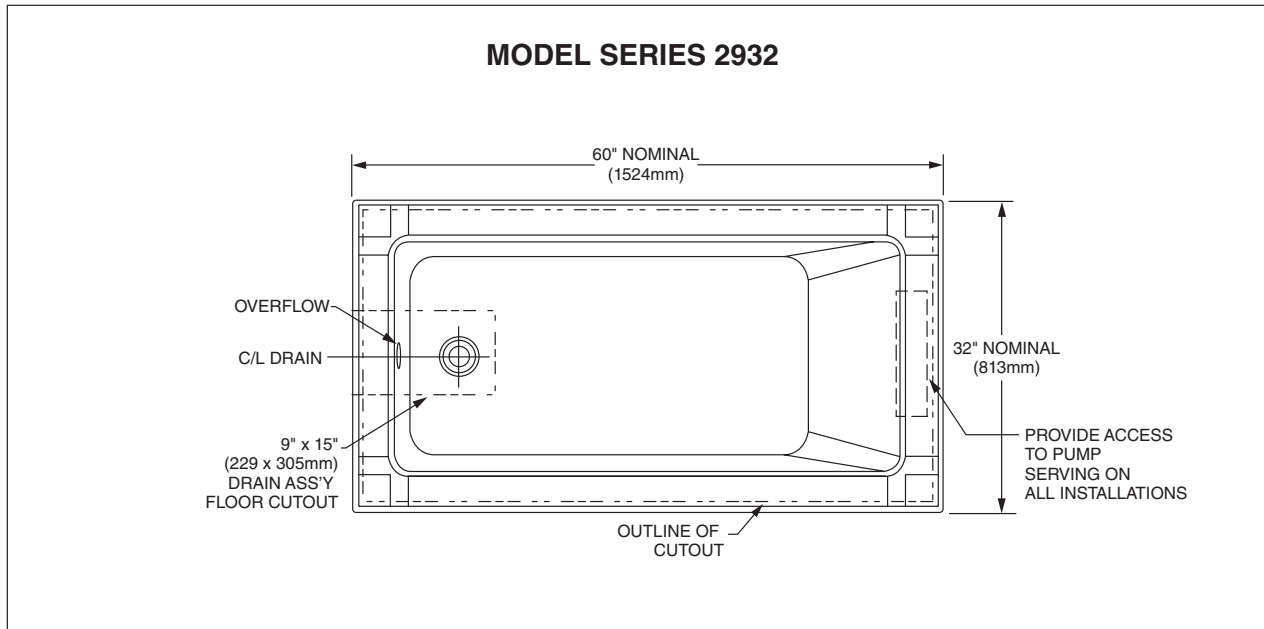


**GENERAL SPECIFICATIONS FOR STUDIO 5' x 32" WHIRLPOOLS AND BATH TUBS**

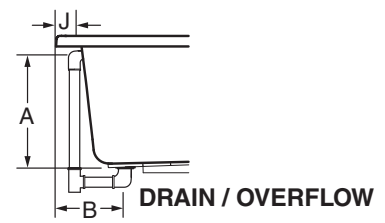
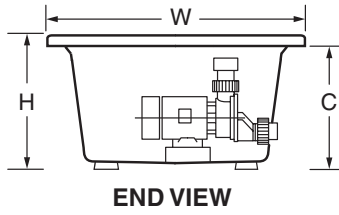
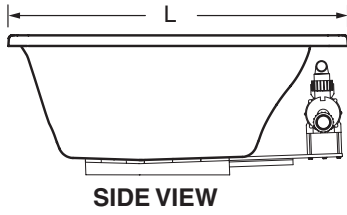
Description	Deck Trim Option	Dimensions L-W-H	Drain / Overflow	Height to Underside of Deck Edge: C	Cut Out Pier G x F	Rough-In Recess E x D	Tub Edge to Centerline Overflow: J	Weight with Water / Floor Loading	Product Weight	Gallon to Overflow	Whirlpool Operating Volume
2932 5' x 32"	Zero (5/8")	L 59-1/2" (1511mm) W 31-1/2" (800mm) H 22-1/2" (572mm)	A 17-3/4" (451mm) B 10-3/4" (273mm)	C 21-7/8" (556mm)	58" (1473mm) x 30" (762mm)	59-11/16" (1516mm) x 30" (762mm)	3-1/4" (83mm)	581 lb. (264 kg)/ 44 lb./sq.ft. (213 kg/sq.m)	90 lb. (198 kg.)	59 gal. (224 l.)	54 gal. (205 l.)
2932 5' x 32"	2"	L 59-3/4" (1518mm) W 31-3/4" (806mm) H 22-1/2" (572mm)	A 17-3/4" (451mm) B 10-7/8" (276mm)	C 20-1/2" (521mm)	58-1/4" (1480mm) x 30-1/4" (768mm)	59-15/16" (1522mm) x 30-1/4" (768mm)	3-1/4" (83mm)	581 lb. (264 kg)/ 44 lb./sq.ft. (213 kg/sq.m)	90 lb. (198 kg.)	59 gal. (224 l.)	54 gal. (205 l.)

**TABLE 2**

**ROUGH-IN REFERENCES**



**SPECIFICATIONS:**

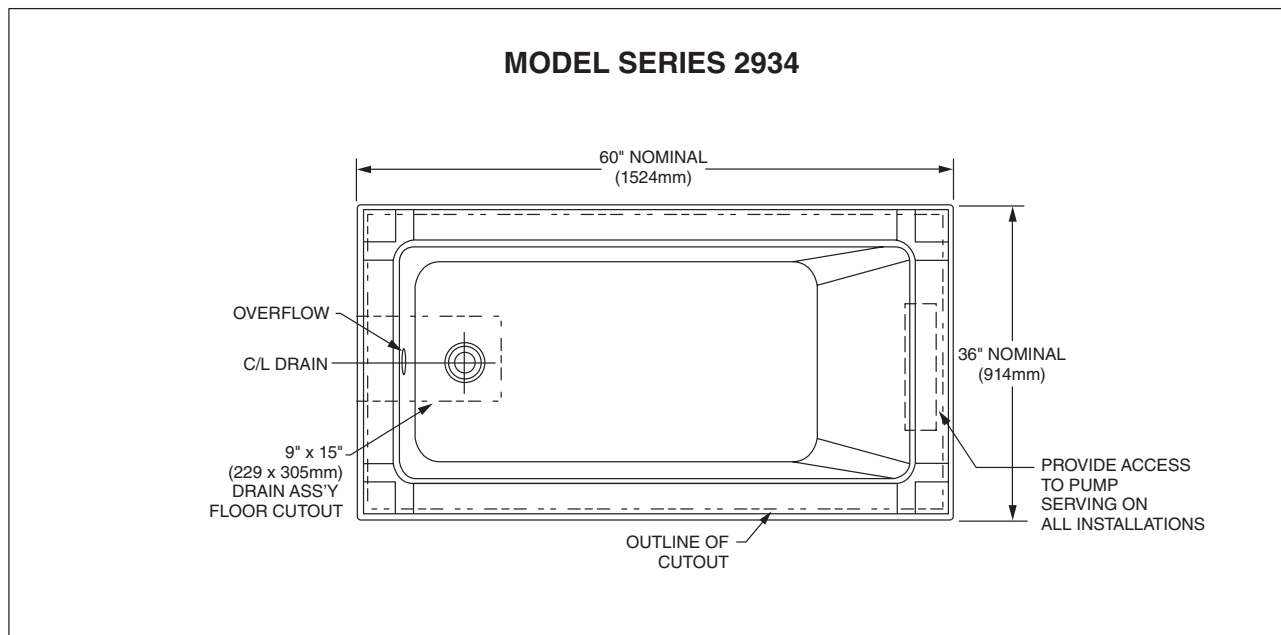


**GENERAL SPECIFICATIONS FOR STUDIO 5' x 36" WHIRLPOOLS AND BATH TUBS**

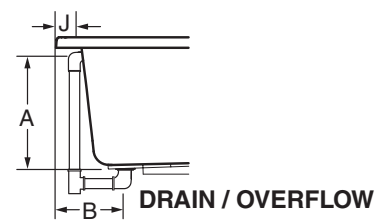
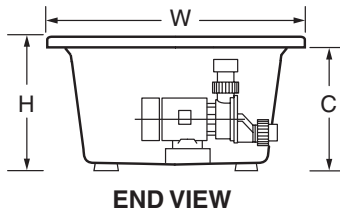
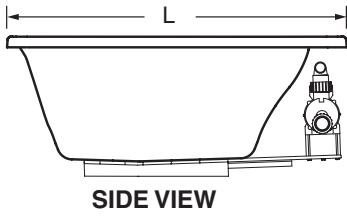
Description	Deck Trim Option	Dimensions L-W-H	Drain / Overflow	Height to Underside of Deck Edge: C	Cut Out Pier G x F	Rough-In Recess E x D	Tub Edge to Centerline Overflow: J	Weight with Water / Floor Loading	Product Weight	Gallon to Overflow	Whirlpool Operating Volume
2934 5' x 36"	Zero (5/8")	L 59-1/2" (1511mm) W 35-1/2" (902mm) H 22-1/2" (572mm)	A 17-3/4" (451mm) B 10-3/4" (273mm)	C 21-7/8" (556mm)	58" (1473mm) x 34" (864mm)	59-11/16" (1516mm) x 34" (864mm)	3-1/4" (83mm)	686 lb. (311 kg)/ 46 lb./sq.ft. (223 kg/sq.m)	95 lb. (209 kg.)	71 gal. (269 l.)	64 gal. (243 l.)
2934 5' x 36"	2"	L 59-3/4" (1518mm) W 35-3/4" (908mm) H 22-1/2" (572mm)	A 17-3/4" (451mm) B 10-7/8" (276mm)	C 20-1/2" (521mm)	58-1/4" (1480mm) x 34-1/4" (870mm)	59-15/16" (1522mm) x 34-1/4" (870mm)	3-1/4" (83mm)	686 lb. (311 kg)/ 46 lb./sq.ft. (223 kg/sq.m)	95 lb. (209 kg.)	71 gal. (269 l.)	64 gal. (243 l.)

**TABLE 3**

**ROUGH-IN REFERENCES**



**SPECIFICATIONS:**

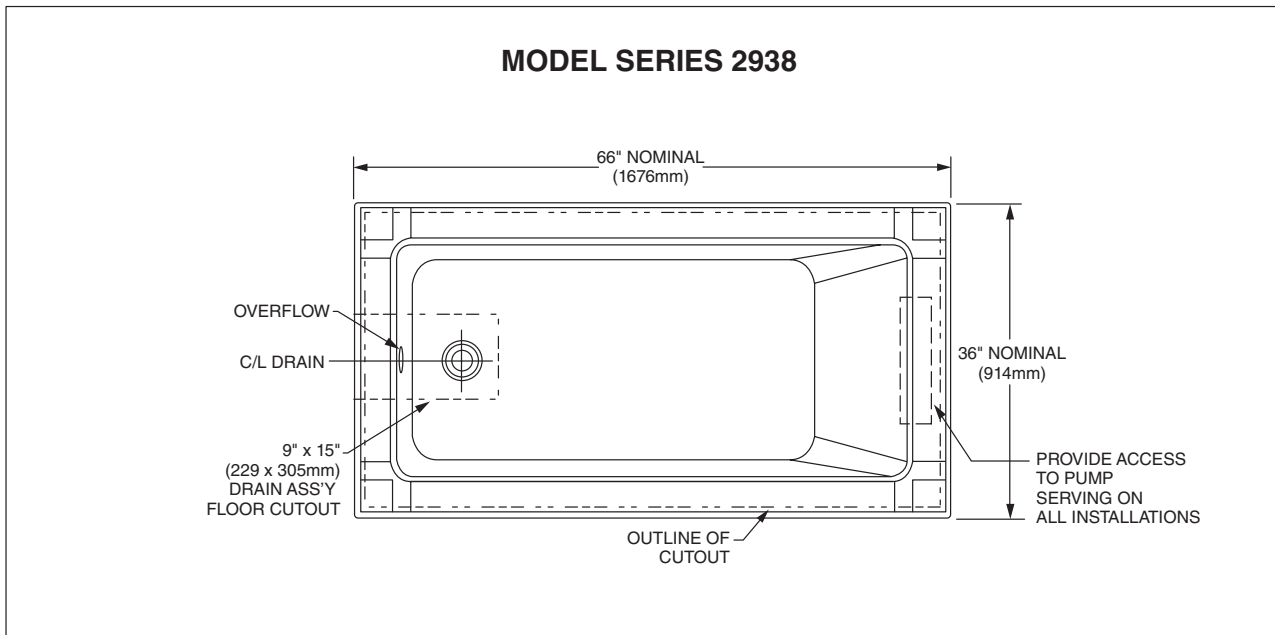


**GENERAL SPECIFICATIONS FOR STUDIO 5-1/2' x 36" WHIRLPOOLS AND BATH TUBS**

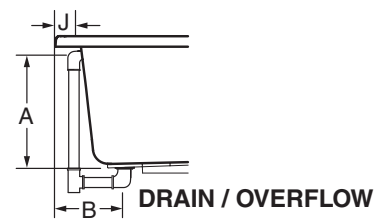
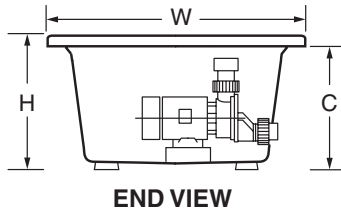
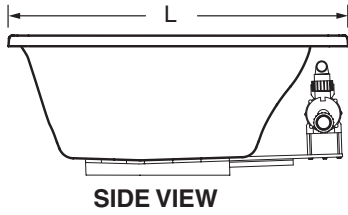
Description	Deck Trim Option	Dimensions L-W-H	Drain / Overflow	Height to Underside of Deck Edge: C	Cut Out Pier G x F	Rough-In Recess E x D	Tub Edge to Centerline Overflow: J	Weight with Water / Floor Loading	Product Weight	Gallon to Overflow	Whirlpool Operating Volume
2938 5-1/2' x 36"	Zero (5/8")	L 65-1/2" (1664mm) W 35-1/2" (902mm) H 22-1/2" (572mm)	A 17-3/4" (451mm) B 10-3/4" (273mm)	C 21-7/8" (556mm)	64" (1626mm) x 34" (864mm)	65-11/16" (1668mm) x 34" (864mm)	3-1/4" (83mm)	766 lb. (348 kg)/ 46 lb./sq.ft. (227 kg/sq.m)	100 lb. (220 kg.)	80 gal. (303 l.)	73 gal. (277 l.)
2938 5-1/2' x 36"	2"	L 65-3/4" (1670mm) W 35-3/4" (908mm) H 22-1/2" (572mm)	A 17-3/4" (451mm) B 10-7/8" (276mm)	C 20-1/2" (521mm)	64-1/4" (1632mm) x 34-1/4" (870mm)	65-15/16" (1675mm) x 34-1/4" (870mm)	3-1/4" (83mm)	766 lb. (348 kg)/ 46 lb./sq.ft. (227 kg/sq.m)	100 lb. (220 kg.)	80 gal. (303 l.)	73 gal. (277 l.)

**TABLE 4**

**ROUGH-IN REFERENCES**



**SPECIFICATIONS:**

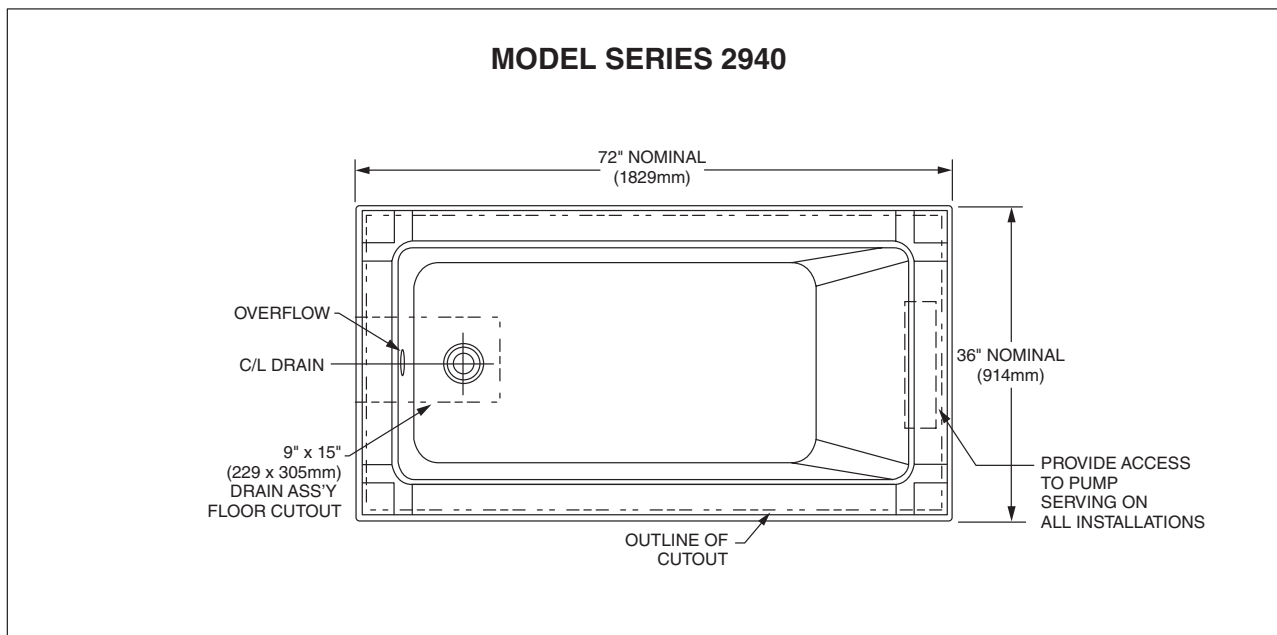


**GENERAL SPECIFICATIONS FOR STUDIO 6' x 36" WHIRLPOOLS AND BATH TUBS**

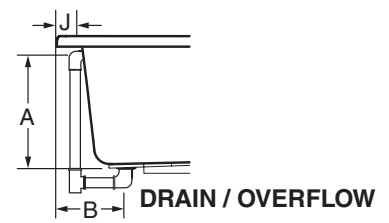
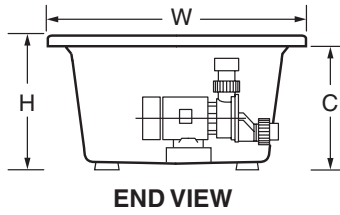
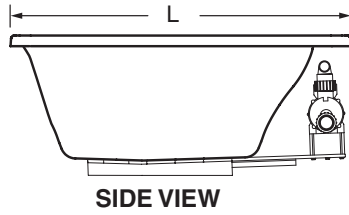
Description	Deck Trim Option	Dimensions L-W-H	Drain / Overflow	Height to Underside of Deck Edge: C	Cut Out Pier G x F	Rough-In Recess E x D	Tub Edge to Centerline Overflow: J	Weight with Water / Floor Loading	Product Weight	Gallon to Overflow	Whirlpool Operating Volume
2940 6' x 36"	Zero (5/8")	L 71-1/2" (1816mm) W 35-1/2" (902mm) H 22-1/2" (572mm)	A 17-3/4" (451mm) B 10-3/4" (273mm)	C 21-7/8" (556mm)	70" (1778mm) x 34" (864mm)	71-11/16" (1821mm) x 34" (864mm)	3-1/4" (83mm)	846 lb. (384 kg)/ 47 lb./sq.ft. (230 kg/sq.m)	105 lb. (231 kg.)	89 gal. (337 l.)	81 gal. (307 l.)
2940 6' x 36"	2"	L 71-3/4" (1822mm) W 35-3/4" (908mm) H 22-1/2" (572mm)	A 17-3/4" (451mm) B 10-7/8" (276mm)	C 20-1/2" (521mm)	70-1/4" (1784mm) x 34-1/4" (870mm)	71-15/16" (1827mm) x 34-1/4" (870mm)	3-1/4" (83mm)	846 lb. (384 kg)/ 47 lb./sq.ft. (230 kg/sq.m)	105 lb. (231 kg.)	89 gal. (337 l.)	81 gal. (307 l.)

**TABLE 5**

**ROUGH-IN REFERENCES**



**SPECIFICATIONS:**

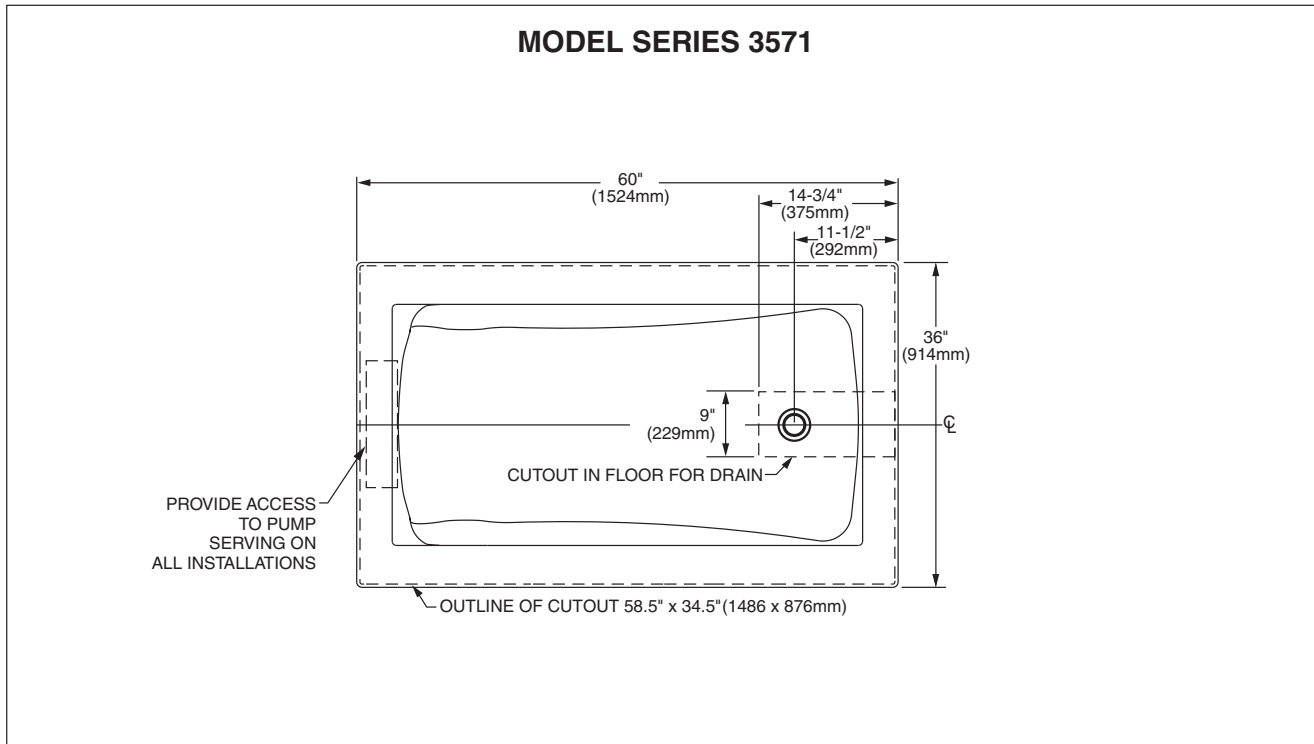


**GENERAL SPECIFICATIONS FOR GREEN TEA WHIRLPOOLS AND BATH TUBS**

Description	Dimensions L-W-H	Drain / Overflow	Height to Underside of Deck Edge: C	Cut Out Pier G x F	Rough-In Recess E x D	Tab Edge to Centerline Overflow: J	Weight with Water / Floor Loading	Product Weight	Gallon to Overflow	Whirlpool Operating Volume
3571 5' x 36"	L 60" (1524mm) W 36" (914mm) H 21" (533mm)	A 16" (406mm) B 11-1/2" (349mm)	C 19" (483mm)	58-1/2" (1485mm) x 34-1/2" (876mm)	60-3/16" (1529mm) x 34-1/2" (876mm)	3-1/2" (89mm)	519 lb. (236 kg)/ 35 lb./sq.ft. (171 kg/sq.m)	86 lb. (39 kg.)	52 gal. (197 l.)	38 gal. (144 l.)
3572 5-1/2' x 36"	L 66" (1676mm) W 36" (914mm) H 21" (533mm)	A 16" (406mm) B 11-1/2" (349mm)	C 19" (483mm)	64-1/2" (1638mm) x 34-1/2" (876mm)	66-3/16" (1681mm) x 34-1/2" (876mm)	3-3/4" (95mm)	592 lb. (269 kg)/ 36 lb./sq.ft. (176 kg/sq.m)	100 lb. (45 kg.)	59 gal. (223 l.)	44 gal. (166 l.)
3573 6' x 36"	L 72" (1829mm) W 36" (914mm) H 21" (533mm)	A 16" (406mm) B 11-1/2" (349mm)	C 19" (483mm)	70-1/2" (1791mm) x 34-1/2" (876mm)	72-3/16" (1834mm) x 34-1/2" (876mm)	3-1/2" (89mm)	665 lb. (302 kg)/ 37 lb./sq.ft. (181 kg/sq.m)	115 lb. (52 kg.)	66 gal. (250 l.)	49 gal. (185 l.)
3574 5' x 42"	L 60" (1524mm) W 42" (1067mm) H 21" (533mm)	A 16" (406mm) B 11-1/2" (349mm)	C 19" (483mm)	58-1/2" (1485mm) x 40-1/2" (1029mm)	60-3/16" (1529mm) x 40-1/2" (1029mm)	3-1/8" (79mm)	656 lb. (298 kg)/ 38 lb./sq.ft. (186 kg/sq.m)	115 lb. (52 kg.)	65 gal. (246 l.)	47 gal. (178 l.)
3575 6' x 42"	L 72" (1829mm) W 42" (1067mm) H 21" (533mm)	A 16" (406mm) B 11-1/2" (349mm)	C 19" (483mm)	70-1/2" (1791mm) x 40-1/2" (1029mm)	72-3/16" (1834mm) x 40-1/2" (1029mm)	3-1/2" (89mm)	785 lb. (356 kg)/ 37 lb./sq.ft. (181 kg/sq.m)	127 lb. (57 kg.)	79 gal. (299 l.)	58 gal. (219 l.)

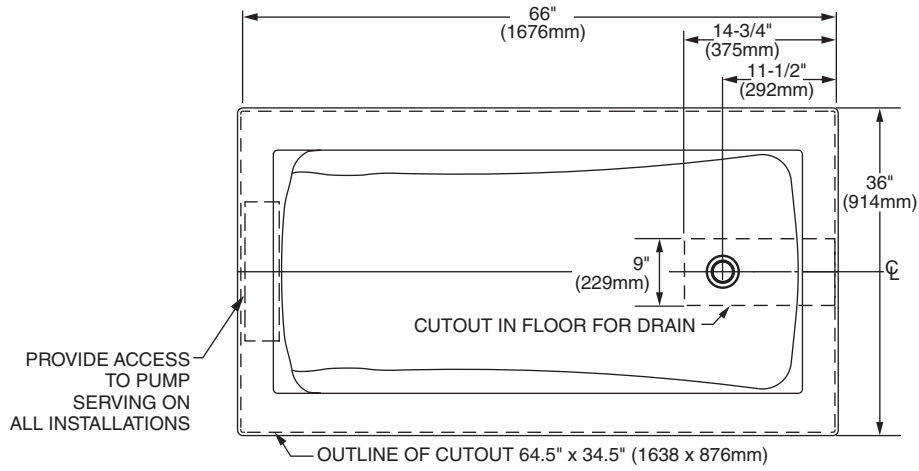
**TABLE 6**

**ROUGH-IN REFERENCES**

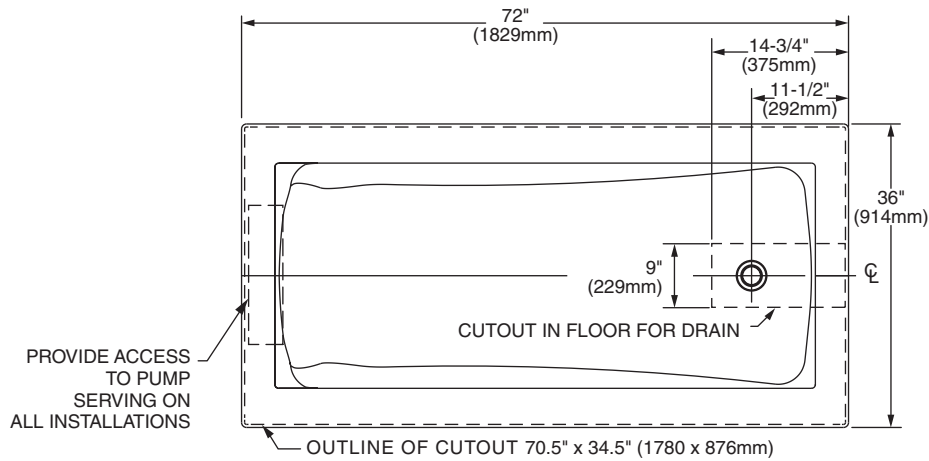


# ROUGH-IN REFERENCES

## MODEL SERIES 3572

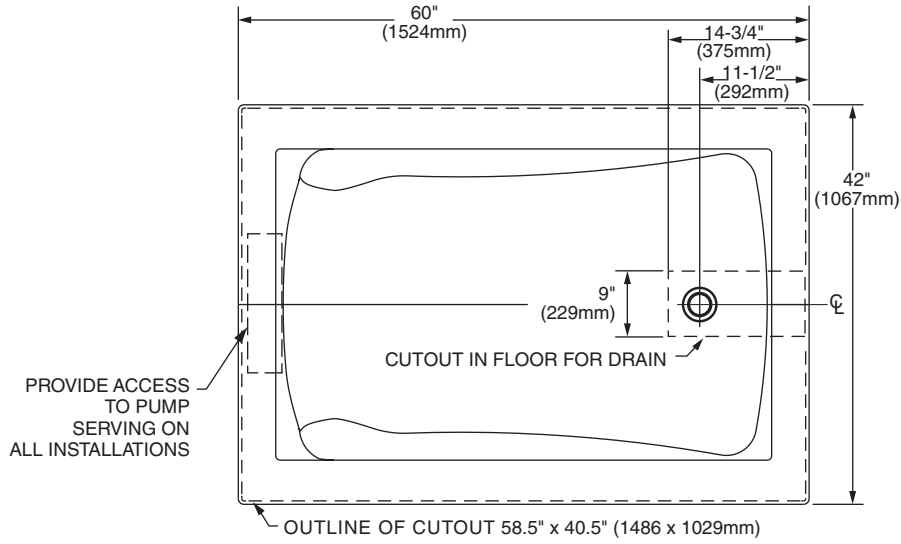


## MODEL SERIES 3573

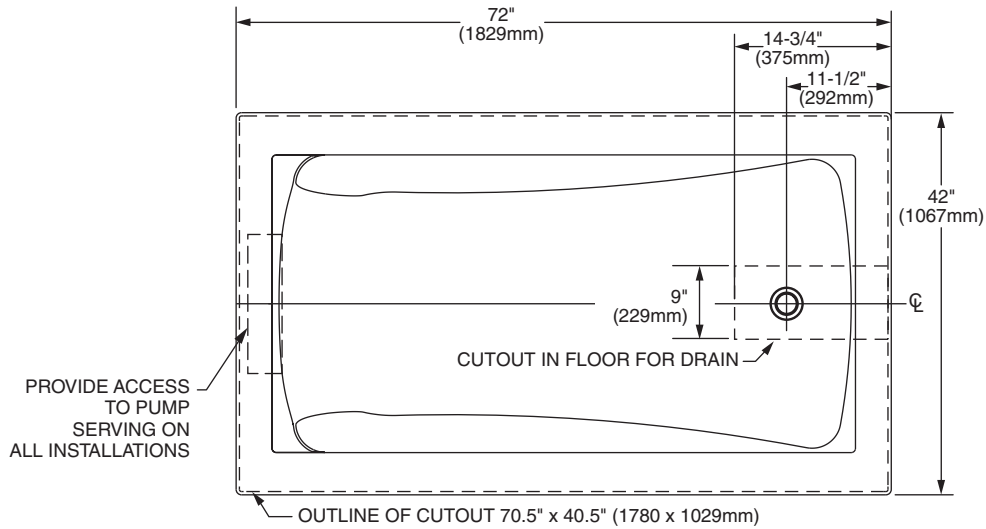


# ROUGH-IN REFERENCES

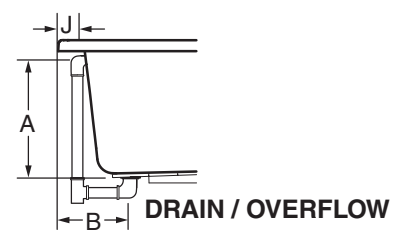
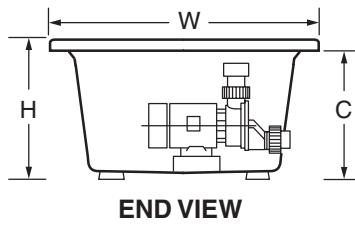
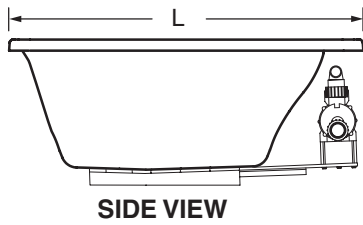
## MODEL SERIES 3574



## MODEL SERIES 3575



**SPECIFICATIONS:**

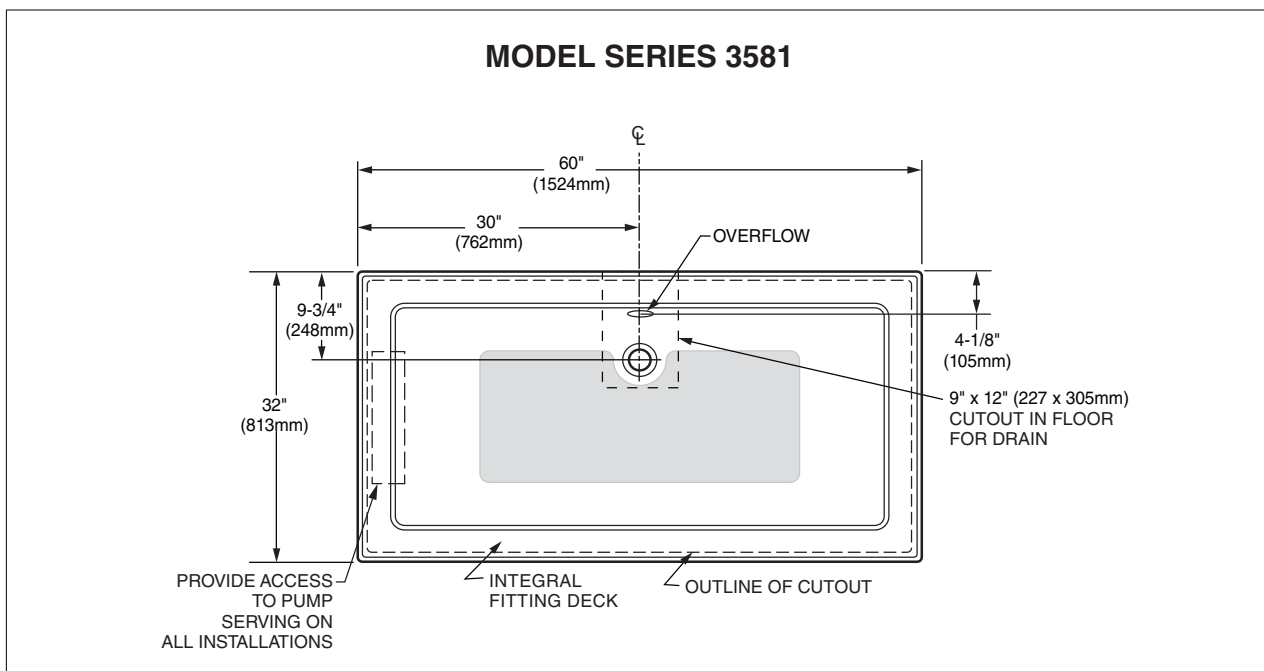


**GENERAL SPECIFICATIONS FOR SERIN WHIRLPOOLS AND BATH TUBS**

Description	Dimensions L-W-H	Drain / Overflow	Height to Underside of Deck Edge: C	Cut Out Pier G x F	Rough-In Recess E x D	Tube Edge to Centerline Overflow: J	Weight with Water / Floor Loading	Product Weight	Gallon to Overflow	Whirlpool Operating Volume
3581 Serin 5' x 32"	L 60" (1524mm) W 32" (813mm) H 23" (584mm)	A 16-3/4" (425mm) B 10-1/4" (260mm)	C 20" (508mm)	58-1/2" (1486mm) x 30-1/2" (775mm)	60-3/16" (1529mm) x 30-1/2" (775mm)	4-1/8" (105mm)	536 lb. (244 kg)/ 40 lb./sq.ft. (193 kg/sq.m)	85 lb. (37 kg.)	54 gal. (204 l.)	49 gal. (186 l.)

**TABLE 7**

**ROUGH-IN REFERENCES**



Your new acrylic bathtub is tough, durable and easy to care for. The colors have been formulated to match other fixtures and enhance your choice of bathroom decorations. The high gloss surface will retain its lasting luster with proper care and maintenance.

#### **CLEANING AND MAINTENANCE:**

- Always fill the tub with temperate water. Excessively hot water (greater than 130° F) may cause surface damage.
- Remove bath mat after use and hang to dry. Allowing bath mat to dry in the tub may cause surface damage.
- Clean after use with a mild liquid household detergent cleaner. Do not turn on jets when such cleaners are present.

**Do not use:** Lestoil® Cleaner; Lysol® Disinfectant (spray or concentrate); or Lysol® Basin, Tub and Tile Cleaner; Windex® Cleaner; Mr. Clean® Cleaner; Dow® Disinfectant Bathroom Cleaner\*; or other cleaning products in aerosol cans.

#### **HARSH CHEMICALS, SHARP AND ABRASIVE OBJECTS SHOULD NEVER BE USED ON ACRYLIC SURFACES**

- Do not use wire brushes, knives or sharp objects to remove stains or other surface blemishes.
- Use of abrasive cleaners or powders will dull the surface. If the glossy surface loses its sheen, dulled areas can be partially restored by rubbing with a white automotive body polishing compound and waxing with a liquid wax.  
**Do not wax surfaces where you walk or stand.**
- Do not allow nail polish remover, acetone, dry-cleaning fluid, paint remover, or other solvents to come into contact with the surface.
- Clean the surrounding surface immediately after using caustic drain cleaners.  
**Do not permit drain cleaner to enter circulation system.**
- Burning cigarettes will irreparably damage the surface of the whirlpool.

#### **CLEANING/PURGING THE CIRCULATION SYSTEM**

Once every month the circulating system must be purged and cleaned. Follow the steps outlined below:

1. Fill whirlpool with warm water and add two teaspoons of powdered automatic dishwasher (not laundry) detergent and one-half cup of household bleach to filled whirlpool.
2. Activate whirlpool system in accordance with operating instructions and run system for two minutes.
3. Drain and refill whirlpool with cold water. Circulate for five minutes.
4. Drain whirlpool completely after step 3 (above) is completed.

For Troubleshooting and Repair Parts please log on to [www.americanstandard-us.com](http://www.americanstandard-us.com)

\* Lestoil® is a registered trademark of The Clorox Company.  
Lysol® is a registered trademark of The Linden Company.  
Windex® is a registered trademark of S.C. Johnson and Son, Inc.  
Mr. Clean® is a registered trademark of The Proctor and Gamble Company.  
Dow® is a registered trademark of The Dow Chemical Company.

# MANUAL DE INSTALACIÓN Y OPERACIÓN

**MODELO 2742**

**MODELO 2748**

**MODELO 2806**

**MODELO 2903**

**MODELO 2932**

**MODELO 2934**

**MODELO 2938**

**MODELO 2940**

**MODELO 3571**

**MODELO 3572**

**MODELO 3573**







**MODELO 3574**

**MODELO 3575**

**MODELO 3581**

# INSTRUCCIONES DE SEGURIDAD IMPORTANTES INSTALACIÓN

## ¡LEA Y SIGA TODAS LAS INSTRUCCIONES!

-  **ADVERTENCIA: *Riesgo de lesión física.*** No permita que niños usen esta bañera sin la supervisión de un adulto. Nunca deje caer ni introduzca ningún objeto en las aberturas. No haga funcionar esta unidad sin la tapa protectora en el dispositivo de succión.
-  **ADVERTENCIA: *Riesgo de descarga eléctrica.*** No permita aparatos eléctricos cerca de la bañera cuando está llena de agua.
-  **ADVERTENCIA: *Riesgo de hipertermia y posible asfixia por inmersión.*** Las personas que están en tratamiento con prescripción médica y/o poseen un historial médico adverso deben consultar con su médico antes de usar este producto.
-  **ADVERTENCIA: *Riesgo de lesión física.*** No llene en exceso la bañera antes de usarla. Ingresar a la bañera cuando está llena más de 2/3 puede provocar el rebose de ésta y por ende, el piso puede quedar resbaladizo. Tenga cuidado al ingresar y salir de la bañera.
-  **ADVERTENCIA: *Se prohíbe comer o beber bebidas alcohólicas en la bañera.*** No es recomendable usar la bañera inmediatamente después de comer. Evite el consumo de alcohol antes o durante el baño. Las bebidas alcohólicas pueden causar somnolencia o hipertermia lo cual puede provocar la pérdida de consciencia incluso asfixia por inmersión.
-  **ADVERTENCIA: *Embarazo.*** Si usted está embarazada o piensa que lo está, consulte con su médico antes de usar la bañera.

Use esta unidad sólo de la forma en que se describe en este manual.

La unidad debe estar conectada sólo a un circuito de toma de corriente que esté protegido adecuadamente por un interruptor de circuito con pérdida a tierra (GFCI). Dicho GFCI debe ser proporcionado por la persona que hará la instalación y debe ser probado con regularidad. Para probar el GFCI, presione el botón de prueba. El GFCI debería interrumpir la energía eléctrica. Presione el botón para restablecer la energía. Se debería restablecer la energía eléctrica. Si el GFCI no funciona de esta manera significa que está defectuoso. Si el GFCI interrumpe la energía eléctrica de la bañera sin haber presionado el botón de prueba, significa que hay circulación de corriente a tierra y la posibilidad de electrocución. No use esta bañera de hidromasaje de aire. Desconéctela y pida a un electricista que arregle el problema antes de usarla.

## GUARDE ESTAS INSTRUCCIONES

# Instrucciones de instalación y armazón

Cada bañera viene lista para su instalación, totalmente equipada con los elementos electrónicos de bombas/salidas de aire y la plomería necesaria para su funcionamiento. Sin embargo, un juego de desagüe/rebose que no viene incorporado es necesario para cada bañera.

La variedad de instalaciones para esta bañera puede requerir procedimientos de armazón distintas a las que aparecen ilustradas. Ubique los pernos según se requiera. Asegúrese de que las dimensiones calculadas sean correctas, exactas y que cuadren.

- ⚠ Retire la la bañera de la caja. Guarde la caja del embalaje hasta que se haya hecho una inspección satisfactoria del producto. No levante la bañera de la plomería en ningún momento. Sólo manipúlela por el casco.
- ⚠ Antes del envío, en la fábrica se prueba el correcto funcionamiento de las bañeras y la estanqueidad de sus conexiones. Antes de la instalación, debe llenarse la bañera con agua y accionarse para revisar si existen fugas que podrían haber sido causadas por daños o maltrato durante el envío.
- ⚠ Los sumideros de estas bañeras están nivelados con pies y no es necesario un soporte adicional para sumideros. Cuando la bañera esté instalada, debe acuñarse el pie y sujetarse para que el borde de la bañera toque el travesaño o piso sin soportar peso.
- ⚠ Se deben tomar medidas en todas las instalaciones para dejar una abertura de acceso para el mantenimiento de la bomba/las salidas de aire de la bañera. A menos que se deje una abertura de acceso de al menos 12" x 24" (305 mm x 610 mm), el servicio de reparación de la garantía no se hará efectivo. Se recomienda dejar una abertura adicional para el acceso a los componentes de drenaje.
- ⚠ Cada bañera tiene longitud (L), ancho (W) y altura (H) nominales y una altura de borde. A menos que se indique lo contrario en las siguientes referencias de dimensiones de instalación, dé por supuesto que las tolerancias nominales son de hasta +/-1/4 pulgadas (6 mm). Por lo tanto, se recomienda que el instalador construya la estructura circundante después de que haya recibido la bañera. Deben verificarse las medidas de la estructura cuando se haya recibido la bañera para garantizar un ajuste correcto.

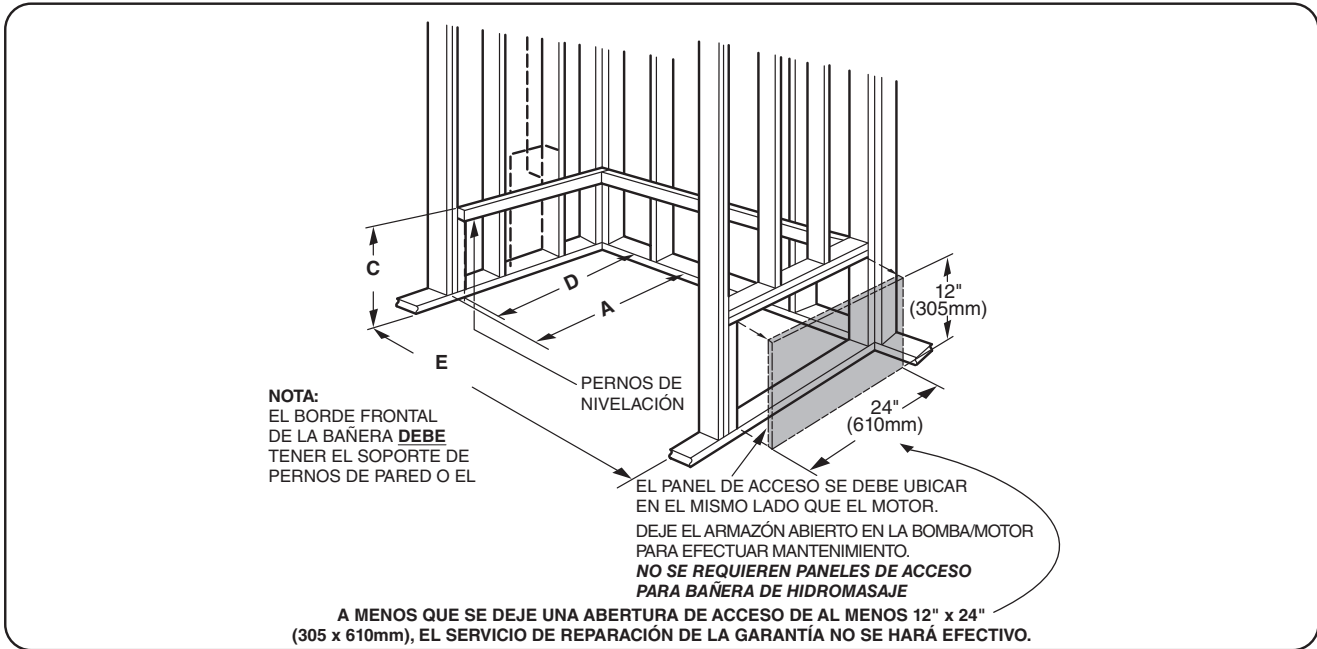
## LIMPIEZA POSTERIOR A LA INSTALACIÓN

Retire todos los residuos de materiales de construcción que hayan quedado en la bañera. El mortero de los azulejos se puede quitar con un palito de paleta o una espátula médica de madera. No use cepillos metálicos o cualquier otro implemento de metal en la superficie de la bañera.

Por lo general, la limpieza posterior a la instalación se puede realizar usando agua tibia y un lavalozas líquido. La suciedad o las manchas difíciles de quitar se pueden remover usando un producto como Spic and Span® o su equivalente mezclado con agua.

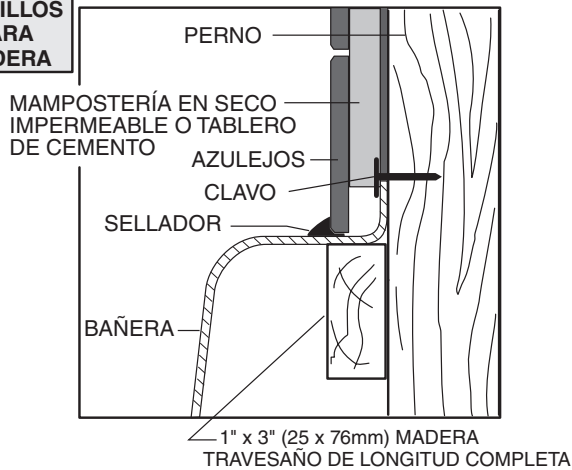
También se puede usar diluyente para quitar el exceso de adhesivo y/o pintura oleosa fresca.

# REFERENCIAS DE DIMENSIONES DE INSTALACIÓN PARA INSTALACIONES EMPOTRADAS

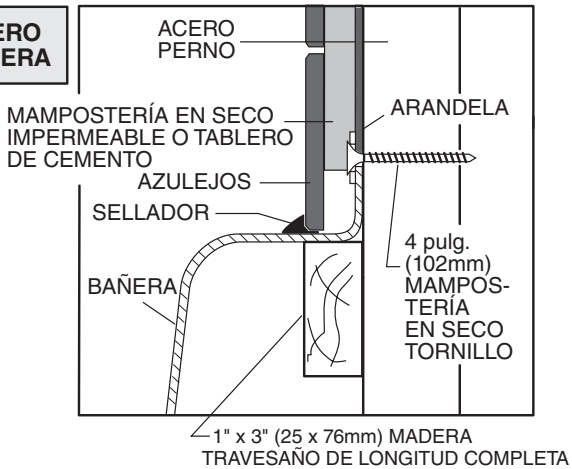


## INSTALACIÓN DE BRIDA DE AZULEJOS TÍPICA

**TORNILLOS PARA MADERA**

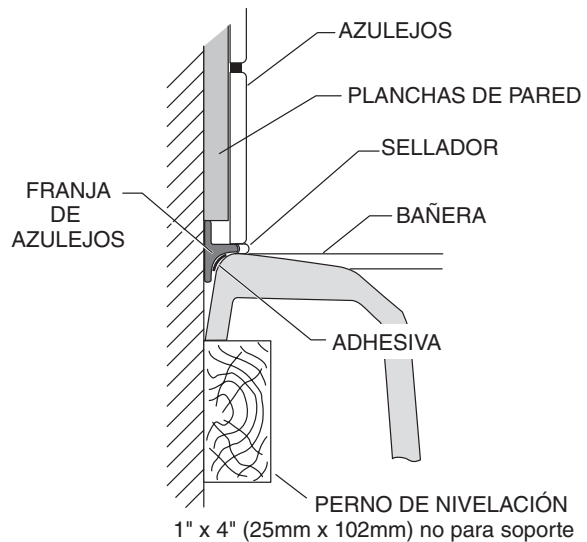


**ACERO MADERA**



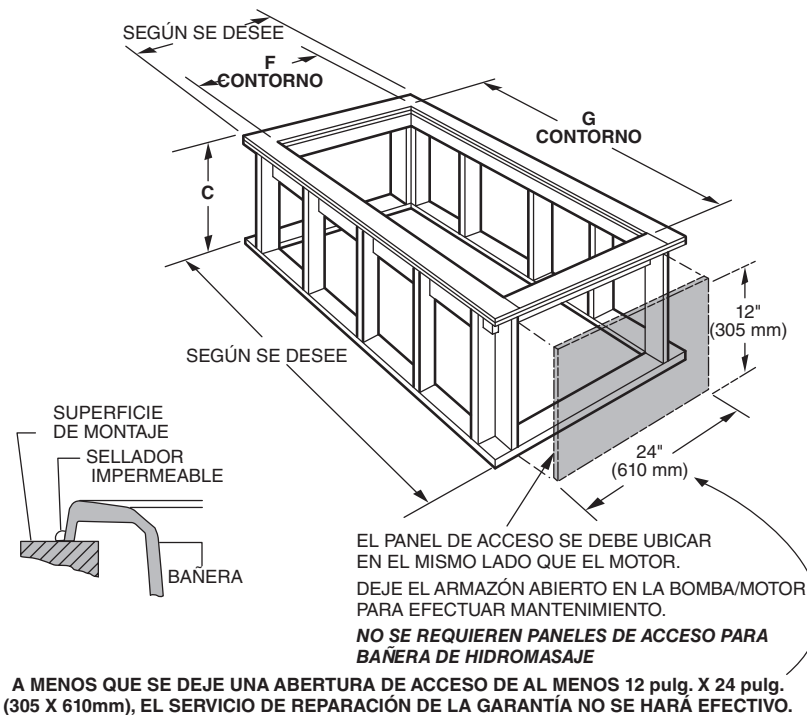
**FIJE LA BAÑERA A LOS PERNOS COMO SE MUESTRA PARA LA CONSTRUCCIÓN CON PERNOS PARA MADERA O ACERO.**

## INSTALACIÓN DE CAPA DE AZULEJOS TÍPICA



**NOTA:** El juego de azulejos no se incluye y se debe comprar por separado.

## REFERENCIAS DE DIMENSIONES DE INSTALACIÓN PARA INSTALACIONES SOBRE EL PISO

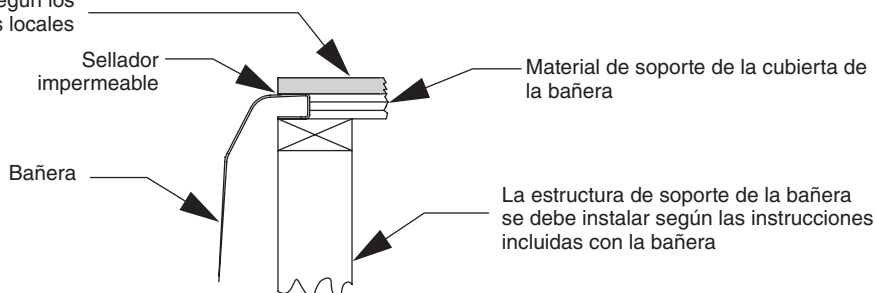


## INSTRUCCIONES DE MONTAJE EN LA CUBIERTA

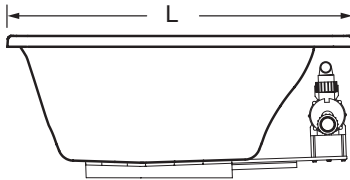
Recuerde que debe tener cuidado para proteger la superficie de la bañera durante todas las etapas de la instalación. No perforo ni corte la cubierta si tiene la bañera directamente debajo ya que puede dañar la superficie.

1. Instale la bañera de acuerdo con las instrucciones de instalación que se incluyen con la unidad.
2. Prepare la estructura de soporte de la cubierta de la bañera según los códigos locales. Nota: la cubierta de la bañera debe tener soporte independiente.
3. Corte la cubierta de la bañera según las especificaciones.
4. Ubique la cubierta en su posición y trace la abertura en la bañera con un lápiz suave. No perforo ni corte la cubierta si tiene la bañera directamente debajo ya que puede dañar la superficie.
5. Retire la cubierta de la bañera y aplique una capa generosa de sellador impermeable en el borde exterior de la línea trazada.
6. Vuelva a colocar la cubierta y fíjela en su lugar.
7. Aplique más sellador a lo largo de la superficie de contacto entre la bañera y la cubierta según sea necesario para asegurar un sellado hermético.
8. Retire el exceso de sellador según las instrucciones del fabricante.

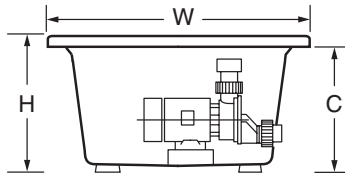
El material de acabado de la superficie de la cubierta de la bañera debe tener soporte independiente y estar instalado según los códigos locales



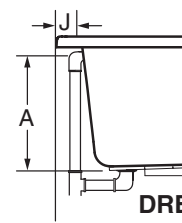
## ESPECIFICACIONES:



VISTA LATERAL



VISTA FRONTAL



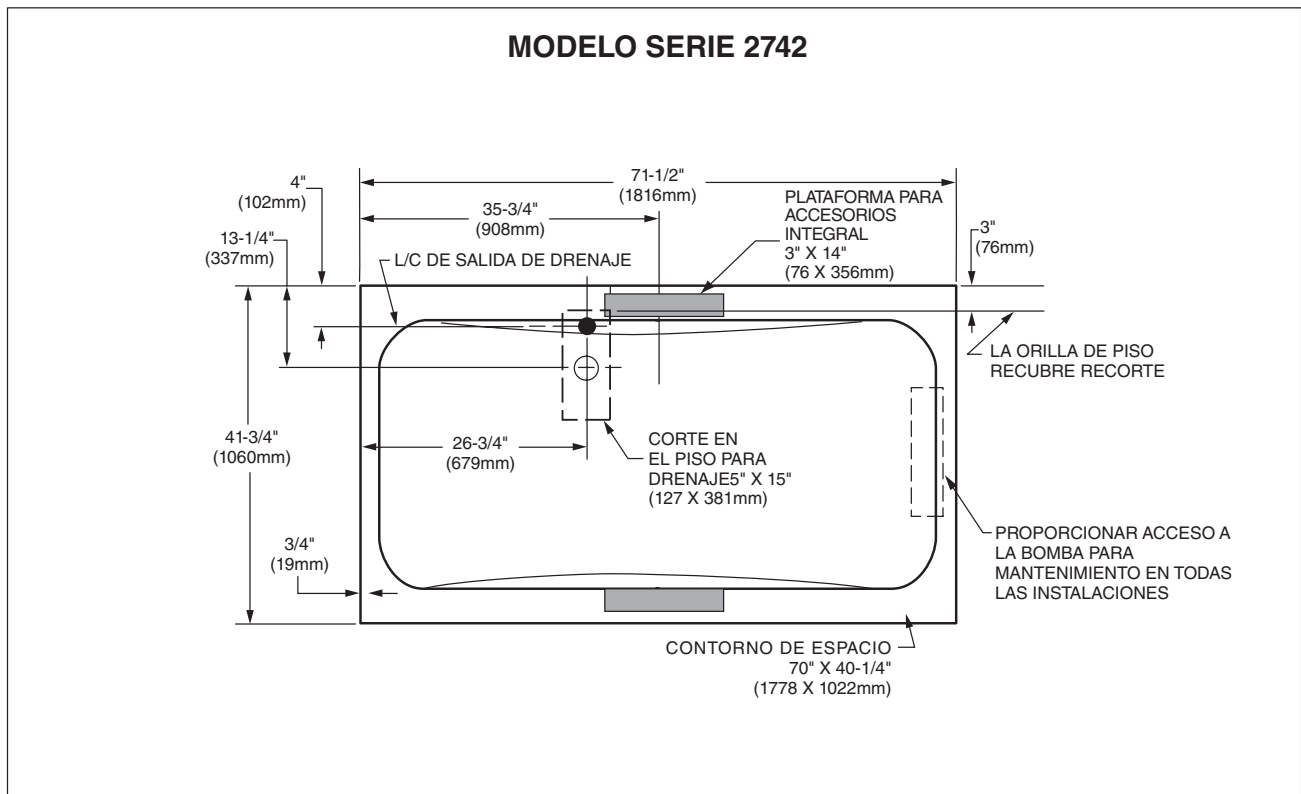
DRENAJE /  
DESBORDE

## ESPECIFICACIONES GENERALES PARA BAÑERAS ESTÁNDAR Y BAÑERAS DE HIDROMASAJE

Descripción	Dimensiones L-W-H	Drenaje / Desborde	Hauteur de la surface inférieure du bord de tablier : C	Espacio de instalación G x F	Cavidad para enfoscado E x D	Borde de bañera a desagüe de la línea central: J	Peso con Agua / Piso Carga	Producto Peso	Galones hasta Desborde	Volumen de funcionamiento de la bañera
2742 6' x 42"	L 71-1/2" (1816mm) W 41-3/4" (1060mm) H 22" (559mm)	A 16-1/4" (413mm) B 13-1/4" (337mm)	C 20" (508mm)	70" (1778mm) x 40-1/4" (1022mm)	71-11/16" (1821mm) x 40-1/4" (1022mm)	4" (102mm)	690 lb. (313 kg)/ 33 lb./sq.ft. (161 kg/sq.m)	115 lb. (52 kg.)	69 gal. (261 l.)	60 gal. (227 l.)
2748 5' x 42"	L 59-1/2" (1511mm) W 41-5/8" (1057mm) H 23" (584mm)	A 14-1/2" (368mm) B 14-1/2" (368mm)	C 21" (533mm)	58" (1473mm) x 40-1/8" (1019mm)	59-11/16" (1517mm) x 40-1/8" (1019mm)	5-1/4" (133mm)	611 lb. (277 kg)/ 40 lb./sq.ft. (196 kg/sq.m)	110 lb. (50 kg.)	60 gal. (227 l.)	55 gal. (208 l.)
2806 6' x 36"	L 72" (1829mm) W 35-3/4" (908mm) H 21-1/2" (546mm)	A 17" (432mm) B 11" (279mm)	C 19-1/2" (495mm)	Plantilla adjunta	Según se desee	5-1/2" (140mm)	744 lb. (338 kg)/ 41 lb./sq.ft. (200 kg/sq.m)	135 lb. (61 kg.)	73 gal. (276 l.)	44 gal. (166 l.)
2903 5' x 42"	L 60" (1524mm) W 42-1/4" (1073mm) H 21-1/4" (540mm)	A 17" (432mm) B 9-1/2" (241mm)	C 19-1/4" (489mm)	Plantilla adjunta	Según se desee	3" (76mm)	640 lb. (291 kg)/ 35 lb./sq.ft. (171 kg/sq.m)	107 lb. (49 kg.)	64 gal. (242 l.)	53 gal. (200 l.)

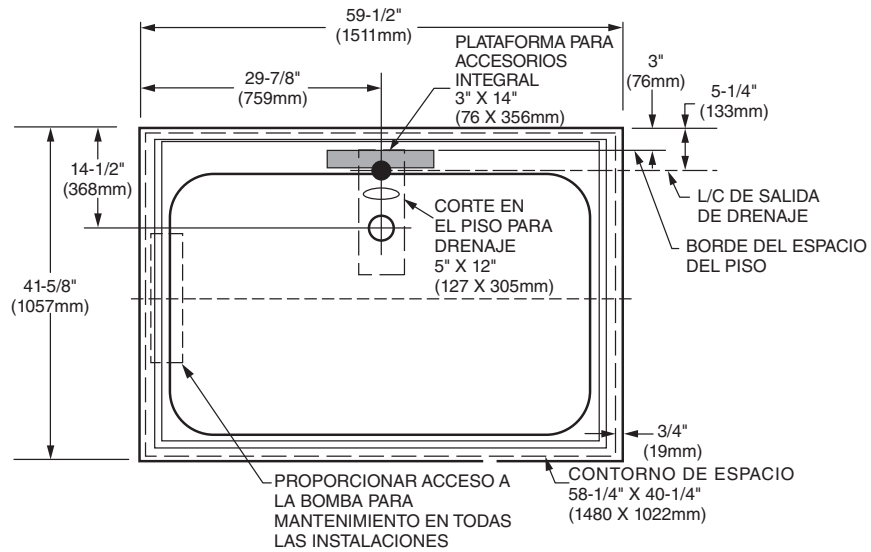
TABLA 1

## DIAGRAMAS DE INSTALACIÓN

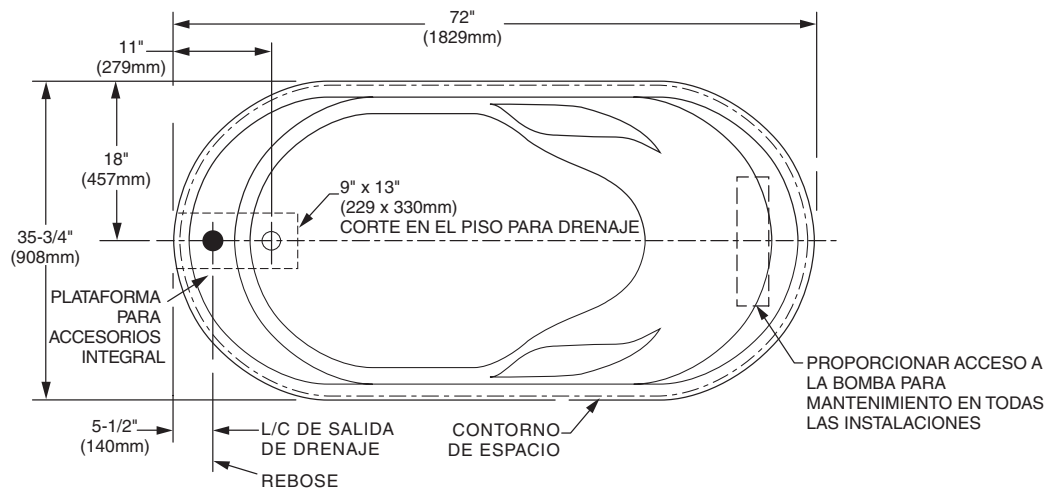


## DIAGRAMAS DE INSTALACIÓN

### MODELO SERIE 2748

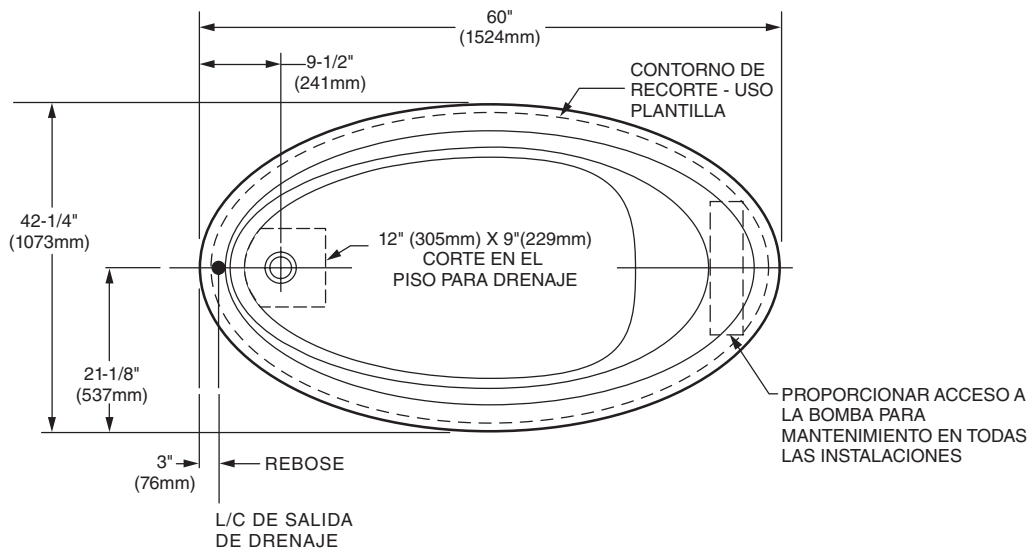


### MODELO SERIE 2806

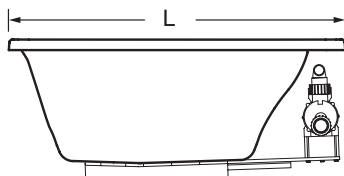


# DIAGRAMAS DE INSTALACIÓN

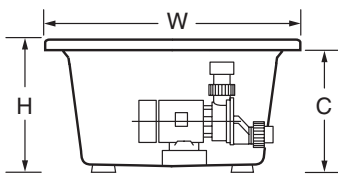
## MODELO SERIE 2903



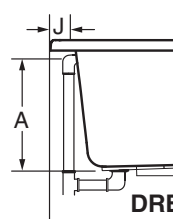
## ESPECIFICACIONES:



VISTA LATERAL



VISTA FRONTAL



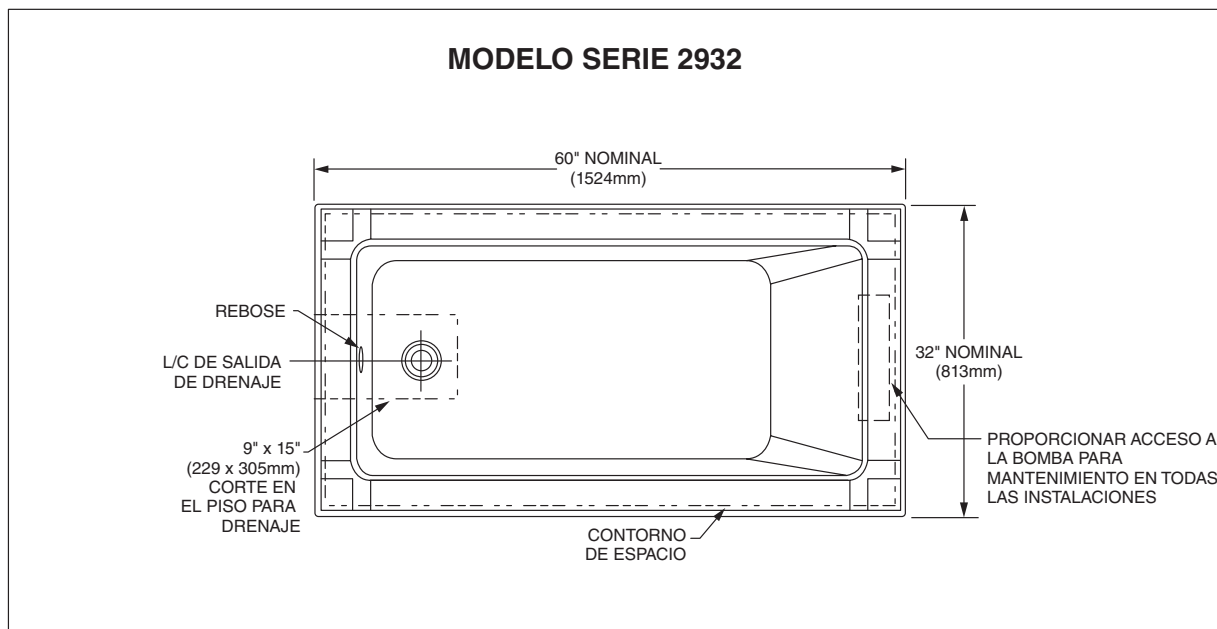
DRENAJE /  
DESBORDE

## ESPECIFICACIONES GENERALES PARA STUDIO 5' X 32" BAÑERAS ESTÁNDAR Y BAÑERAS DE HIDROMASAJE

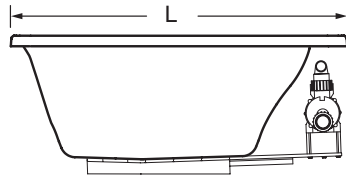
Descripción	Moldura de la cubierta opcional	Dimensiones L-W-H	Drenaje / Desborde	Hauteur de la surface inférieure du bord de tablier : C	Espacio en el piso G x F	Orificio de instalación E x D	Borde de bañera a desagüe de la línea central: J	Peso con Agua / Piso Carga	Producto Peso	Galones para Desagüe	Volumen de funcionamiento de la bañera
2932 5' x 32"	Cero (5/8")	L 59-1/2" (1511mm) W 31-1/2" (800mm) H 22-1/2" (572mm)	A 17-3/4" (451mm) B 10-3/4" (273mm)	C 21-7/8" (556mm)	58" (1473mm) x 30" (762mm)	59-11/16" (1516mm) x 30" (762mm)	3-1/4" (83mm)	581 lb. (264 kg)/ 44 lb./sq.ft. (213 kg/sq.m)	90 lb. (198 kg.)	59 gal. (224 l.)	54 gal. (205 l.)
2932 5' x 32"	2"	L 59-3/4" (1518mm) W 31-3/4" (806mm) H 22-1/2" (572mm)	A 17-3/4" (451mm) B 10-7/8" (276mm)	C 20-1/2" (521mm)	58-1/4" (1480mm) x 30-1/4" (768mm)	59-15/16" (1522mm) x 30-1/4" (768mm)	3-1/4" (83mm)	581 lb. (264 kg)/ 44 lb./sq.ft. (213 kg/sq.m)	90 lb. (198 kg.)	59 gal. (224 l.)	54 gal. (205 l.)

TABLA 2

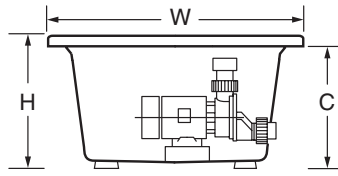
## DIAGRAMAS DE INSTALACIÓN



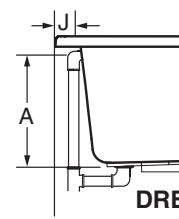
## ESPECIFICACIONES:



VISTA LATERAL



VISTA FRONTAL



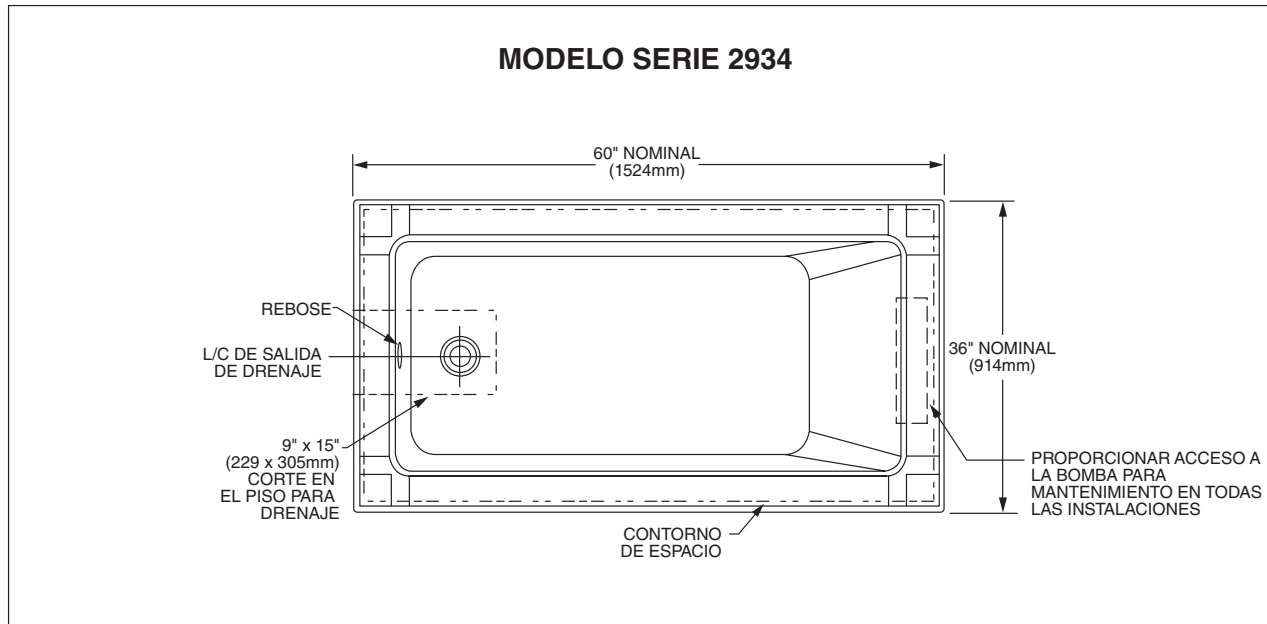
DRENAJE /  
DESBORDE

## ESPECIFICACIONES GENERALES PARA STUDIO 5' X 36" BAÑERAS ESTÁNDAR Y BAÑERAS DE HIDROMASAJE

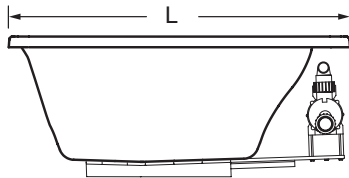
Descripción	Moldura de la cubierta opcional	Dimensiones L-W-H	Drenaje / Desborde	Hauteur de la surface inférieure du bord de tablier : C	Espacio en el piso G x F	Orificio de instalación E x D	Borde de bañera a desagüe de la línea central: J	Peso con Agua / Piso Carga	Producto Peso	Galones para Desagüe	Volumen de funcionamiento de la bañera
2934 5' x 36"	Cero (5/8")	L 59-1/2" (1511mm) W 35-1/2" (902mm) H 22-1/2" (572mm)	A 17-3/4" (451mm) B 10-3/4" (273mm)	C 21-7/8" (556mm)	58" (1473mm) x 34" (864mm)	59-11/16" (1516mm) x 34" (864mm)	3-1/4" (83mm)	686 lb. (311 kg)/ 46 lb./sq.ft. (223 kg/sq.m)	95 lb. (209 kg.)	71 gal. (269 l.)	64 gal. (243 l.)
2934 5' x 36"	2"	L 59-3/4" (1518mm) W 35-3/4" (908mm) H 22-1/2" (572mm)	A 17-3/4" (451mm) B 10-7/8" (276mm)	C 20-1/2" (521mm)	58-1/4" (1480mm) x 34-1/4" (870mm)	59-15/16" (1522mm) x 34-1/4" (870mm)	3-1/4" (83mm)	686 lb. (311 kg)/ 46 lb./sq.ft. (223 kg/sq.m)	95 lb. (209 kg.)	71 gal. (269 l.)	64 gal. (243 l.)

TABLA 3

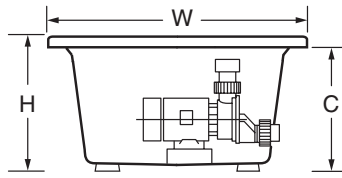
## DIAGRAMAS DE INSTALACIÓN



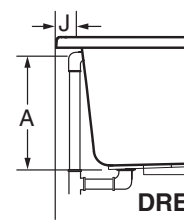
## ESPECIFICACIONES:



VISTA LATERAL



VISTA FRONTAL



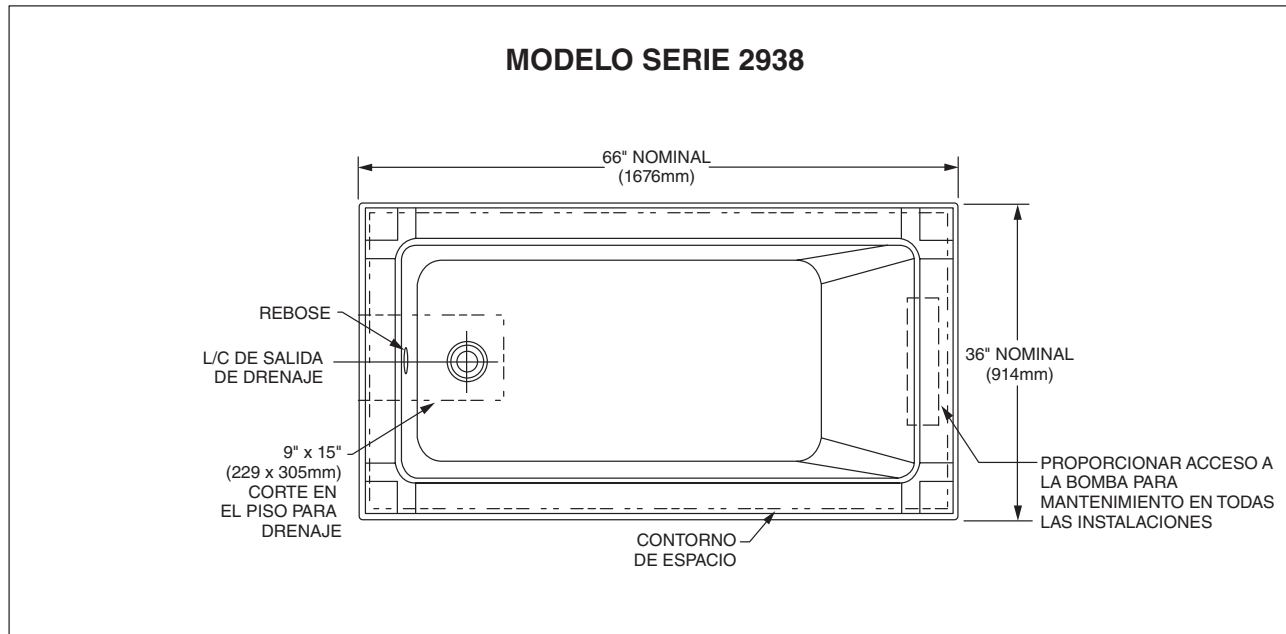
DRENAJE /  
DESBORDE

## ESPECIFICACIONES GENERALES PARA STUDIO 5-1/2' X 36" BAÑERAS ESTÁNDAR Y BAÑERAS DE HIDROMASAJE

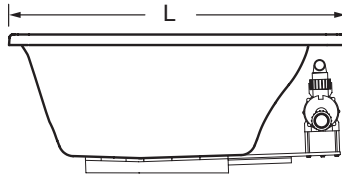
Descripción	Moldura de la cubierta opcional	Dimensiones L-W-H	Drenaje / Desborde	Hauteur de la surface inférieure du bord de tablier : C	Espacio en el piso G x F	Orificio de instalación E x D	Borde de bañera a desagüe de la línea central: J	Peso con Agua / Piso Carga	Producto Peso	Galones para Desagüe	Volumen de funcionamiento de la bañera
2938 5-1/2' x 36"	Cero (5/8")	L 65-1/2" (1664mm) W 35-1/2" (902mm) H 22-1/2" (572mm)	A 17-3/4" (451mm) B 10-3/4" (273mm)	C 21-7/8" (556mm)	64" (1626mm) x 34" (864mm)	65-11/16" (1668mm) x 34" (864mm)	3-1/4" (83mm)	766 lb. (348 kg)/ 46 lb./sq.ft. (227 kg/sq.m)	100 lb. (220 kg.)	80 gal. (303 l.)	73 gal. (277 l.)
2938 5-1/2' x 36"	2"	L 65-3/4" (1670mm) W 35-3/4" (908mm) H 22-1/2" (572mm)	A 17-3/4" (451mm) B 10-7/8" (276mm)	C 20-1/2" (521mm)	64-1/4" (1632mm) x 34-1/4" (870mm)	65-15/16" (1675mm) x 34-1/4" (870mm)	3-1/4" (83mm)	766 lb. (348 kg)/ 46 lb./sq.ft. (227 kg/sq.m)	100 lb. (220 kg.)	80 gal. (303 l.)	73 gal. (277 l.)

TABLA 4

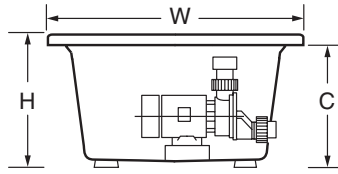
## DIAGRAMAS DE INSTALACIÓN



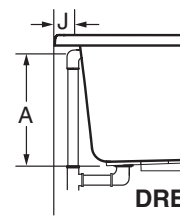
## ESPECIFICACIONES:



VISTA LATERAL



VISTA FRONTAL



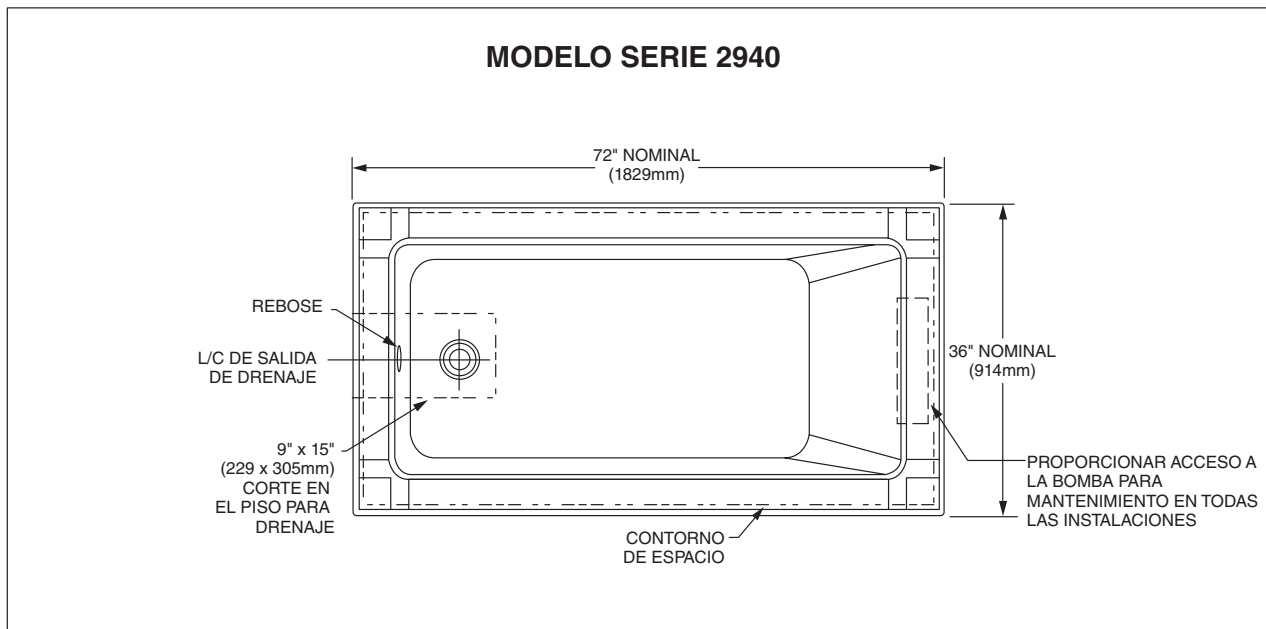
DRENAJE /  
DESBORDE

## ESPECIFICACIONES GENERALES PARA STUDIO 6' X 36" BAÑERAS ESTÁNDAR Y BAÑERAS DE HIDROMASAJE

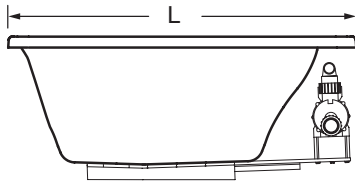
Descripción	Moldura de la cubierta opcional	Dimensiones L-W-H	Drenaje / Desborde	Hauteur de la surface inférieure du bord de tablier : C	Espacio en el piso G x F	Orificio de instalación E x D	Borde de bañera a desagüe de la línea central: J	Peso con Agua / Piso Carga	Producto Peso	Galones para Desagüe	Volumen de funcionamiento de la bañera
2940 6' x 36"	Cero (5/8")	L 71-1/2" (1816mm) W 35-1/2" (902mm) H 22-1/2" (572mm)	A 17-3/4" (451mm) B 10-3/4" (273mm)	C 21-7/8" (556mm)	70" (1778mm) x 34" (864mm)	71-11/16" (1821mm) x 34" (864mm)	3-1/4" (83mm)	846 lb. (384 kg)/ 47 lb./sq.ft. (230 kg/sq.m)	105 lb. (231 kg.)	89 gal. (337 l.)	81 gal. (307 l.)
2940 6' x 36"	2"	L 71-3/4" (1822mm) W 35-3/4" (908mm) H 22-1/2" (572mm)	A 17-3/4" (451mm) B 10-7/8" (276mm)	C 20-1/2" (521mm)	70-1/4" (1784mm) x 34-1/4" (870mm)	71-15/16" (1827mm) x 34-1/4" (870mm)	3-1/4" (83mm)	846 lb. (384 kg)/ 47 lb./sq.ft. (230 kg/sq.m)	105 lb. (231 kg.)	89 gal. (337 l.)	81 gal. (307 l.)

TABLA 5

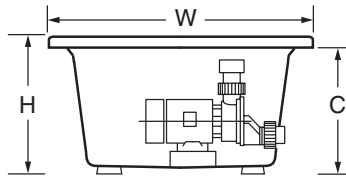
## DIAGRAMAS DE INSTALACIÓN



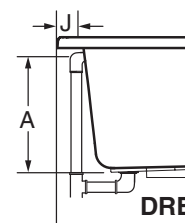
## ESPECIFICACIONES:



VISTA LATERAL



VISTA FRONTAL



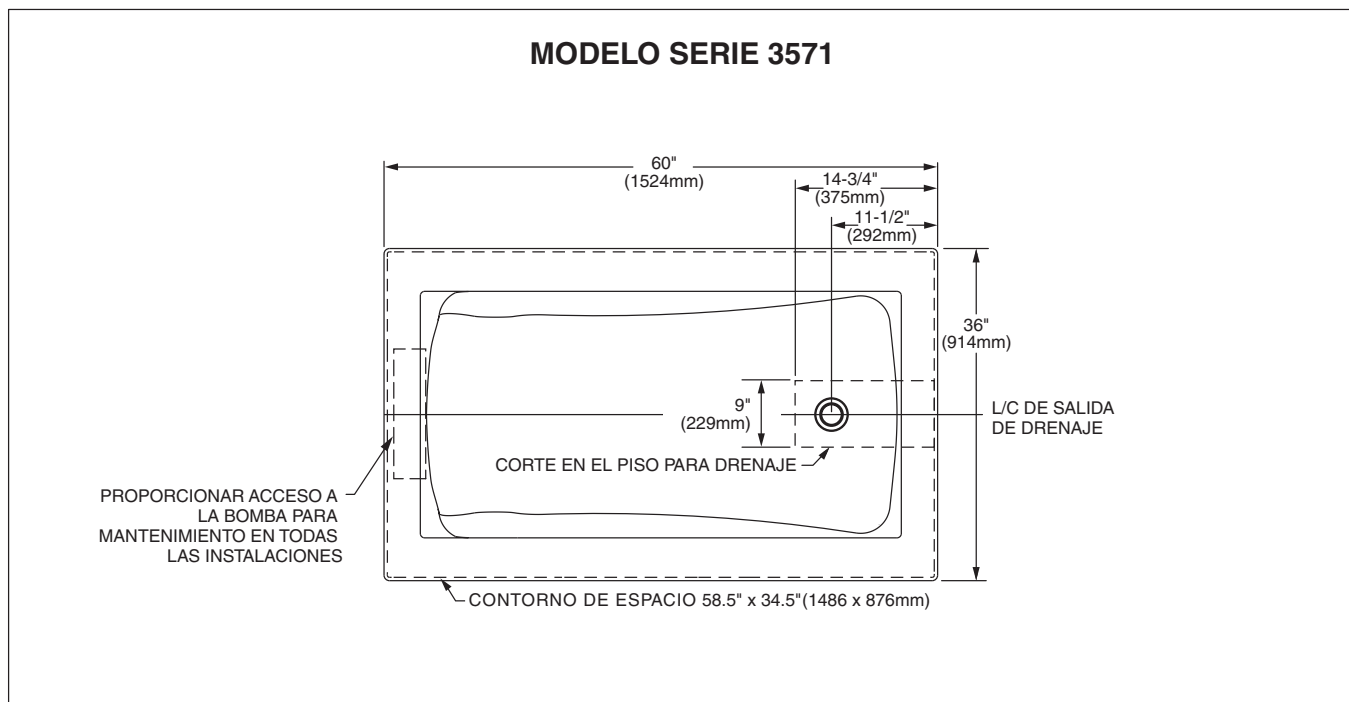
DRENAJE /  
DESBORDE

## ESPECIFICACIONES GENERALES PARA GREEN TEA BAÑERAS ESTÁNDAR Y BAÑERAS DE HIDROMASAJE

Descripción	Dimensiones L-W-H	Drenaje / Desborde	Altura hasta la parte inferior del borde de la superficie plana: C	Espacio en el piso G x F	Orificio de instalación E x D	Borde de bañera a desagüe de la línea central: J	Peso con Agua / Piso Carga	Producto Peso	Galones para Desagüe	Volumen de funcionamiento de la bañera
3571 5' x 36"	L 60" (1524mm) W 36" (914mm) H 21" (533mm)	A 16" (406mm) B 11-1/2" (349mm)	C 19" (483mm)	58-1/2" (1485mm) x 34-1/2" (876mm)	60-3/16" (1529mm) x 34-1/2" (876mm)	3-1/2" (89mm)	519 lb. (236 kg)/ 35 lb./sq.ft. (171 kg/sq.m)	86 lb. (39 kg.)	52 gal. (197 l.)	38 gal. (144 l.)
3572 5-1/2' x 36"	L 66" (1676mm) W 36" (914mm) H 21" (533mm)	A 16" (406mm) B 11-1/2" (349mm)	C 19" (483mm)	64-1/2" (1638mm) x 34-1/2" (876mm)	66-3/16" (1681mm) x 34-1/2" (876mm)	3-3/4" (95mm)	592 lb. (269 kg)/ 36 lb./sq.ft. (176 kg/sq.m)	100 lb. (45 kg.)	59 gal. (223 l.)	44 gal. (166 l.)
3573 6' x 36"	L 72" (1829mm) W 36" (914mm) H 21" (533mm)	A 16" (406mm) B 11-1/2" (349mm)	C 19" (483mm)	70-1/2" (1791mm) x 34-1/2" (876mm)	72-3/16" (1834mm) x 34-1/2" (876mm)	3-1/2" (89mm)	665 lb. (302 kg)/ 37 lb./sq.ft. (181 kg/sq.m)	115 lb. (52 kg.)	66 gal. (250 l.)	49 gal. (185 l.)
3574 5' x 42"	L 60" (1524mm) W 42" (1067mm) H 21" (533mm)	A 16" (406mm) B 11-1/2" (349mm)	C 19" (483mm)	58-1/2" (1485mm) x 40-1/2" (1029mm)	60-3/16" (1528mm) x 40-1/2" (1029mm)	3-1/8" (79mm)	656 lb. (298 kg)/ 38 lb./sq.ft. (186 kg/sq.m)	115 lb. (52 kg.)	65 gal. (246 l.)	47 gal. (178 l.)
3575 6' x 42"	L 72" (1829mm) W 42" (1067mm) H 21" (533mm)	A 16" (40 mm) B 11-1/2" (349mm)	C 19" (483mm)	70-1/2" (1791mm) x 40-1/2" (1029mm)	72-3/16" (1834mm) x 40-1/2" (1029mm)	3-1/2" (89mm)	785 lb. (356 kg)/ 37 lb./sq.ft. (181 kg/sq.m)	127 lb. (57 kg.)	79 gal. (299 l.)	58 gal. (219 l.)

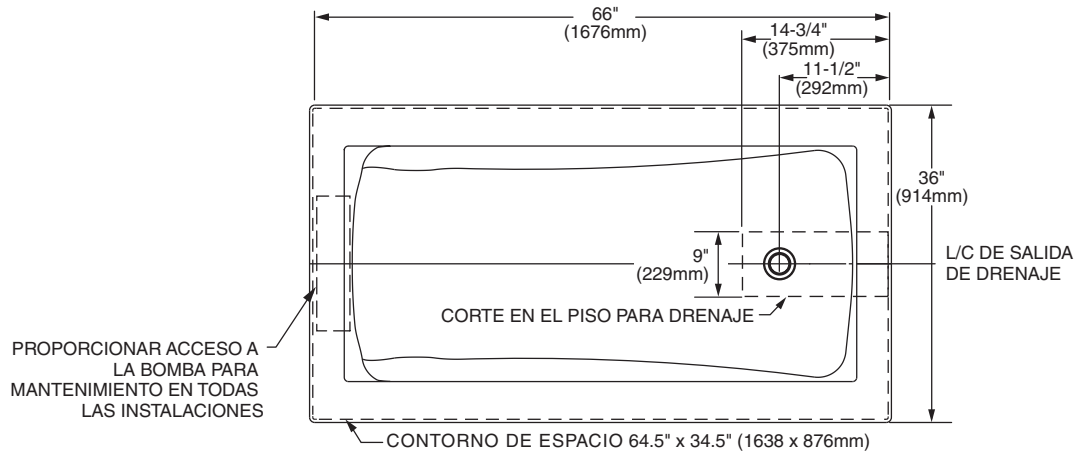
TABLA 6

## DIAGRAMAS DE INSTALACIÓN

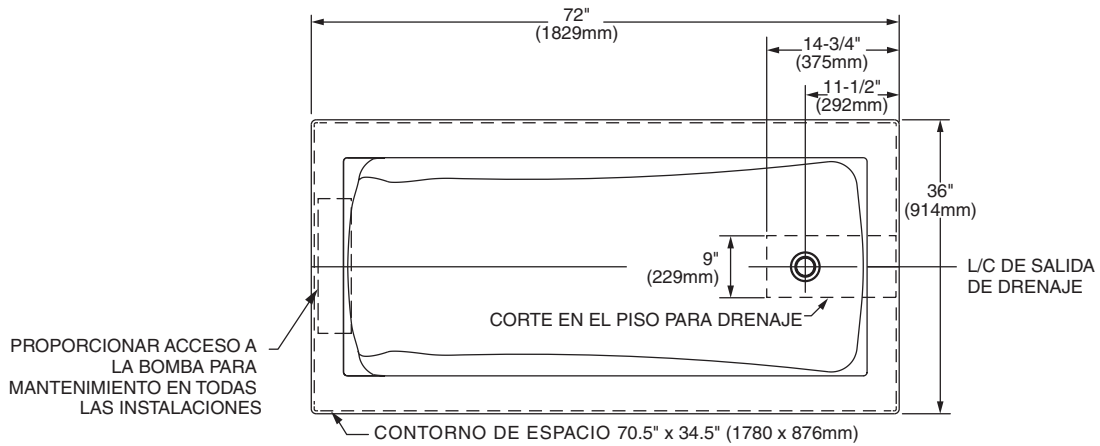


# DIAGRAMAS DE INSTALACIÓN

## MODELO SERIE 3572

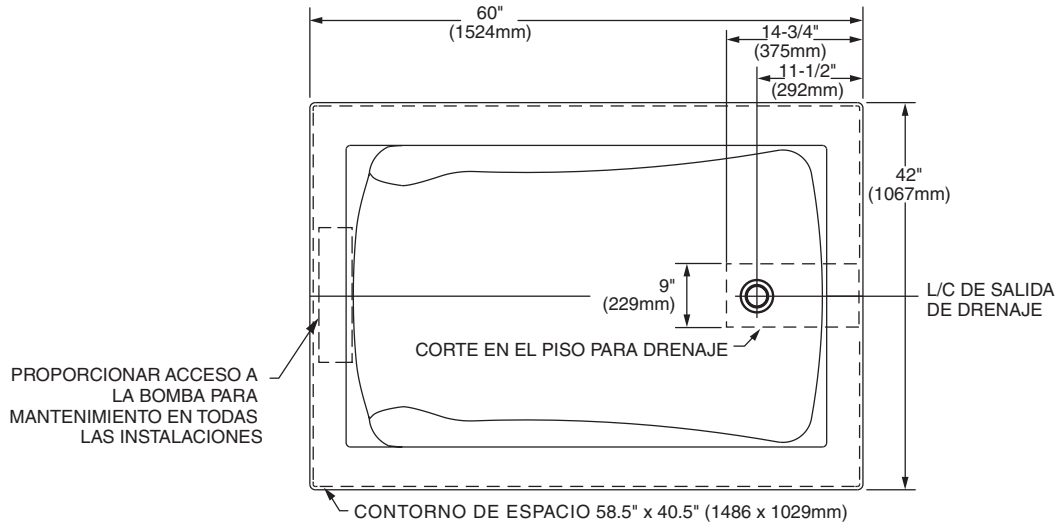


## MODELO SERIE 3573

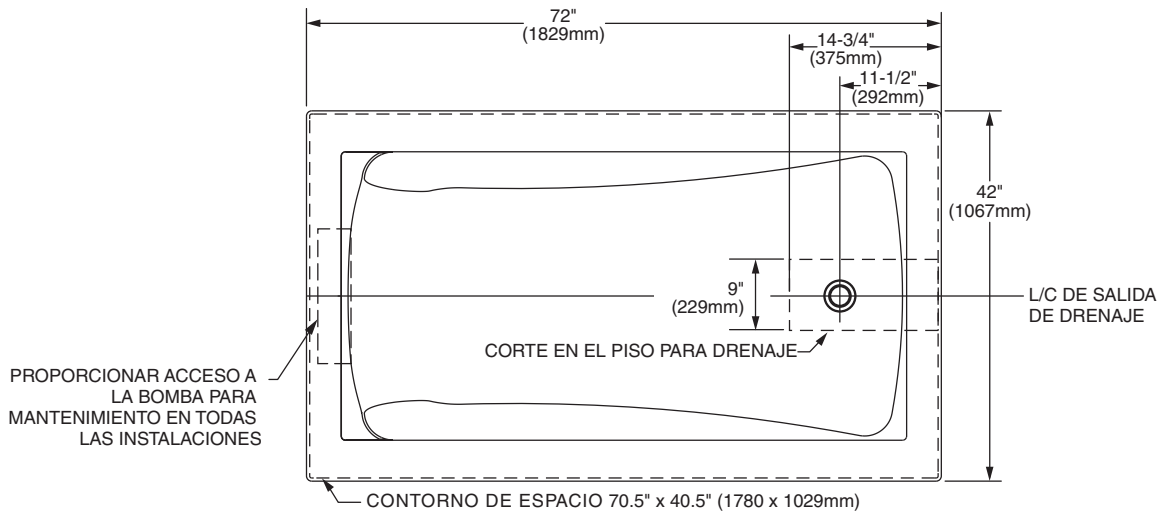


# DIAGRAMAS DE INSTALACIÓN

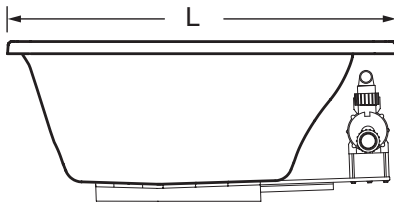
## MODELO SERIE 3574



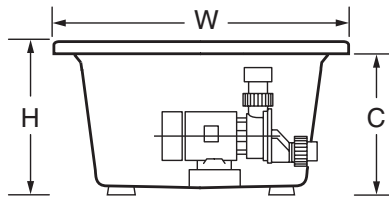
## MODELO SERIE 3575



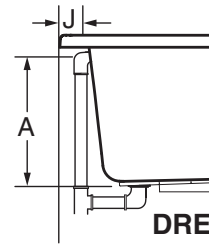
**ESPECIFICACIONES:**



**VISTA LATERAL**



**VISTA FRONTAL**



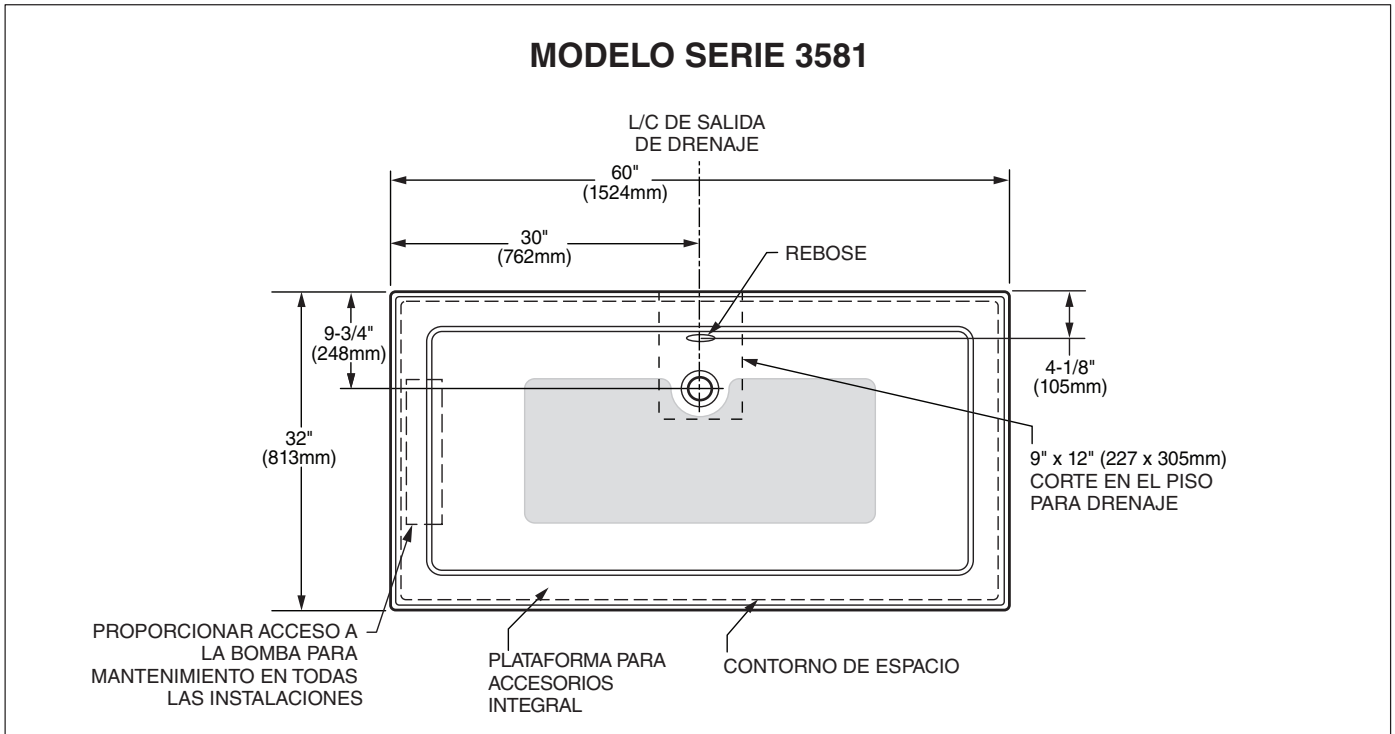
**DRENAJE / DESBORDE**

**ESPECIFICACIONES GENERALES PARA SERIN BAÑERAS ESTÁNDAR Y BAÑERAS DE HIDROMASAJE**

Descripción	Dimensiones L-W-H	Drenaje / Desborde	Altura hasta la parte inferior del borde de la superficie plana: C	Espacio en el piso G x F	Orificio de instalación E x D	Borde de bañera a desagüe de la línea central: J	Peso con Agua / Piso Carga	Producto Peso	Galones para Desagüe	Volumen de funcionamiento de la bañera
3581 5' x 32"	L 60" (1524mm) W 32" (813mm) H 23" (584mm)	A 16-3/4" (425mm) B 10-1/4" (260mm)	C 20" (508mm)	58-1/2" (1486mm) x 30-1/2" (775mm)	60-3/16" (1529mm) x 30-1/2" (775mm)	4-1/8" (105mm)	536 lb. (244 kg)/ 40 lb./sq.ft. (193 kg/sq.m)	85 lb. (37 kg.)	54 gal. (204 l.)	49 gal. (186 l.)

**TABLA 7**

**DIAGRAMAS DE INSTALACIÓN**



La nueva bañera de acrílico es resistente, duradera y fácil de cuidar. Los colores fueron creados para hacer juego con los otros artefactos sanitarios y mejorar de esta forma sus opciones para decorar el baño. La superficie con brillo especial es resistente a los impactos y productos químicos, y conservará su brillo duradero con el debido cuidado y mantenimiento.

#### **LIMPIEZA Y MANTENIMIENTO:**

- Llene siempre la bañera con agua templada. El agua excesivamente caliente (más de 130° F) puede dañar la superficie.
- Retire la goma de la bañera después de usarla y cuélguela para que se seque. Dejar la goma en la bañera puede provocar daños en la superficie.
- Limpie la bañera después de usarla con un limpiador líquido suave. No encienda los jets (chorros) cuando esté usando el limpiador.

**No use:** Limpiador Lestoil®; desinfectante Lysol® (rociador o concentrado); o limpiador para lavabos, baños y azulejos Lysol®; Limpiador Windex®; limpiador Mr. Clean®; limpiador y desinfectante para baños Dow®\*; otros productos de limpieza en latas de aerosol.

#### **NUNCA SE DEBEN USAR PRODUCTOS QUÍMICOS FUERTES, OBJETOS AFILADOS NI ABRASIVOS EN SUPERFICIES DE ACRÍLICO**

- No utilice cepillos metálicos, cuchillos ni objetos afilados para sacar manchas u otras imperfecciones en la superficie.
- El uso de limpiadores o polvos abrasivos puede opacar la superficie. Si la superficie brillante pierde su característica, las áreas opacas pueden restaurarse parcialmente frotando la superficie con un compuesto para pulir para autos y encerando con una cera líquida.  
**No encere las superficies por donde camina o está de pie.**
- No permita que removedores de esmalte de uñas, acetona, líquidos de limpieza en seco, removedores de pinturas u otros solventes entren en contacto con la superficie.
- Limpie la superficie circundante inmediatamente después de usar limpiadores con soda cáustica.  
**No permita que el limpiador de desagüe ingrese en el sistema de circulación.**
- Los cigarrillos encendidos dañarán irreparablemente la superficie de la bañera de hidromasaje.

#### **LIMPIEZA Y PURGA DEL SISTEMA DE CIRCULACIÓN**

Una vez al mes se debe purgar y limpiar el sistema de circulación. Siga los pasos que se describen a continuación:

1. Llene la bañera de hidromasaje con agua tibia y agregue dos cucharaditas de lavalozas en polvo para lavavajillas y media taza de cloro de uso doméstico.
2. Active el sistema de la bañera de hidromasaje según las instrucciones de funcionamiento y haga funcionar el sistema por dos minutos.
3. Vacíe y vuelva a llenar la bañera de hidromasaje con agua fría. Hágala funcionar por cinco minutos.
4. Vacíe la bañera de hidromasaje completamente después de completar el paso 3 (arriba).

Para obtener información sobre Solución de problemas y piezas de reparación, visite [www.americanstandard-us.com](http://www.americanstandard-us.com)

\* Lestoil® es una marca registrada de The Clorox Company.  
Lysol® es una marca registrada de The Linden Company.  
Windex® es una marca registrada de S.C. Johnson and Son, Inc.  
Mr. Clean® es una marca registrada de The Procter and Gamble Company.  
Dow® es una marca registrada de The Dow Chemical Company.

# MANUEL D'INSTALLATION ET DE FONCTIONNEMENT

**MODÈLE 2742**

**MODÈLE 2748**

**MODÈLE 2806**

**MODÈLE 2903**

**MODÈLE 2932**

**MODÈLE 2934**

**MODÈLE 2938**

**MODÈLE 2940**

**MODÈLE 3571**

**MODÈLE 3572**

**MODÈLE 3573**







**MODÈLE 3574**

**MODÈLE 3575**

**MODÈLE 3581**

# IMPORTANTES DIRECTIVES DE SÉCURITÉ

## VEUILLEZ LIRE ET RESPECTER TOUTES LES DIRECTIVES!

-  **AVERTISSEMENT : *Risque de blessure corporelle.*** Ne laissez pas les enfants utiliser cette baignoire sans la supervision d'un adulte. Ne jamais laisser tomber ni insérer d'objet dans les orifices. Il ne faut pas faire fonctionner cette baignoire lorsque le tuyau de succion n'est pas muni du couvercle de protection.
-  **AVERTISSEMENT : *Risque de choc électrique.*** Ne laissez pas d'appareils électriques traîner autour de la baignoire lorsque celle-ci contient de l'eau.
-  **AVERTISSEMENT : *Risque d'hyperthermie et de noyade.*** Les personnes sous médication ainsi que celles ayant un dossier médical comportant des réactions devraient consulter leur médecin avant d'employer la baignoire.
-  **AVERTISSEMENT : *Risque de blessure corporelle.*** Ne pas trop remplir la baignoire avant d'y pénétrer. Une baignoire déjà remplie aux 2/3 ou plus peut déborder lorsque vous y entrez et rendre les lieux glissants. Faites preuve de prudence lorsque vous entrez et sortez de la baignoire.
-  **AVERTISSEMENT : *Aucun aliment ni boisson alcoolisée.*** Il est déconseillé d'utiliser une baignoire immédiatement après un repas. Évitez de consommer de l'alcool avant et pendant que vous vous baignez. Les boissons alcoolisées peuvent provoquer de la somnolence et de l'hyperthermie pouvant entraîner une perte de conscience, voir même une noyade.
-  **AVERTISSEMENT : *Grossesse.*** Si vous êtes ou pensez être enceinte, veuillez consulter votre médecin avant d'utiliser la baignoire.

Utilisez la baignoire uniquement pour l'usage prévu tel que décrit dans ce manuel.

L'appareil doit être branché uniquement à un circuit d'alimentation doté d'un disjoncteur de fuite de terre (GFCI). Ce disjoncteur doit être fourni par l'installateur et vérifié régulièrement. Pour vérifier le GFCI, appuyez sur le bouton de test. Le GFCI devrait couper le courant. Appuyez sur le bouton de réinitialisation. Le courant devrait être rétabli. Si le disjoncteur (GFCI) ne fonctionne pas de cette manière, il est défectueux. Si le GFCI coupe le courant à la baignoire sans que le bouton de test soit enfoncé, cela signifie qu'il y a un courant à la terre, pouvant produire un choc électrique. N'utilisez pas la baignoire à air. Veuillez débrancher la baignoire à air et faire corriger le problème par un électricien agréé avant de l'utiliser.

## VEUILLEZ CONSERVER CES DIRECTIVES

# Directives d'installation et d'encadrement

Chaque baignoire est livrée prête à être installée, entièrement équipée avec les composants électroniques pour la pompe/le souffleur et avec la plomberie requise pour le fonctionnement. Cependant, une trousse de drain/trop-plein est requise pour chaque baignoire et n'est pas incluse.

En raison de la diversité des installations possibles de cette baignoire à air, il est possible que des procédures, autres que celles illustrées, soient nécessaires. Placez les montants comme requis. Vérifiez que les dimensions de la plomberie brute soient correctes, d'aplomb et d'équerre.

- ⚠ Retirez la baignoire de son emballage. Conservez la boîte d'expédition jusqu'à ce qu'une inspection satisfaisante du produit ait été faite. Ne soulevez pas la baignoire par la plomberie ; soulevez-la par la coque.
- ⚠ Toutes les baignoires sont testées en usine pour le fonctionnement et l'étanchéité des connexions avant l'expédition. Avant l'installation, il faut remplir la baignoire d'eau et la faire fonctionner afin de vérifier étanchéité (fuites résultant de dommages lors de l'expédition ou d'une mauvaise manipulation).
- ⚠ Le puisard de ces baignoires est supporté par des pieds et aucun autre support n'est requis. Dès que la baignoire est en place, les pieds doivent être calés et fixés de façon à ce que le rebord de la baignoire touche la traverse ou le poteau. Il ne doit cependant pas porter de charge.
- ⚠ Il faut réserver une ouverture d'accès sur toutes les installations pour l'entretien de la pompe/du souffleur de la baignoire. À moins qu'une ouverture d'accès d'au moins 12 po X 24 po (305 X 610 mm) ne soit pratiquée, le service de garantie ne sera pas exécuté. Il est fortement recommandé d'avoir une ouverture supplémentaire pour accéder aux composants du drain.
- ⚠ Chaque baignoire a une longueur (L), une largeur (L) et une hauteur (H) nominales en plus de la hauteur du rebord. À moins d'indication contraire dans les références suivantes, supposez que les tolérances nominales sont de +/-1/4 po (6 mm). Par conséquent, il est fortement recommandé que l'installateur construise la structure environnante après avoir reçu la baignoire. Les mesures de la structure doivent être comparées à celles de la baignoire reçue afin d'assurer un bon ajustement.

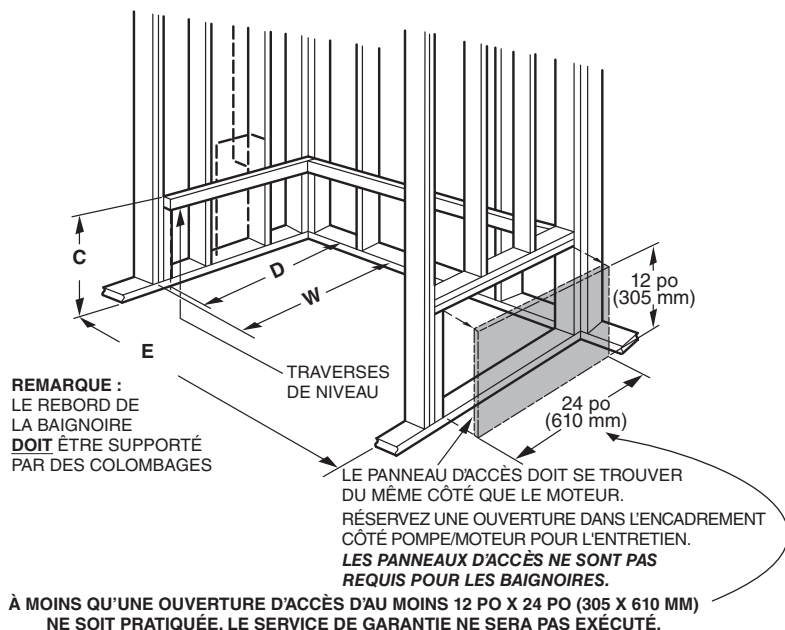
## NETTOYAGE APRÈS L'INSTALLATION

Éliminez tous les débris de construction de la baignoire. Le ciment de carrelage peut s'enlever au moyen d'un bâtonnet en bois ou d'une spatule. N'utilisez pas de brosse métallique ni d'objets métalliques sur la surface de la baignoire.

Le nettoyage après l'installation peut, habituellement, être exécuté avec de l'eau tiède et du détergent liquide pour vaisselle. Les tâches tenaces peuvent être éliminées avec des granules de Spic and Span® mélangées avec de l'eau.

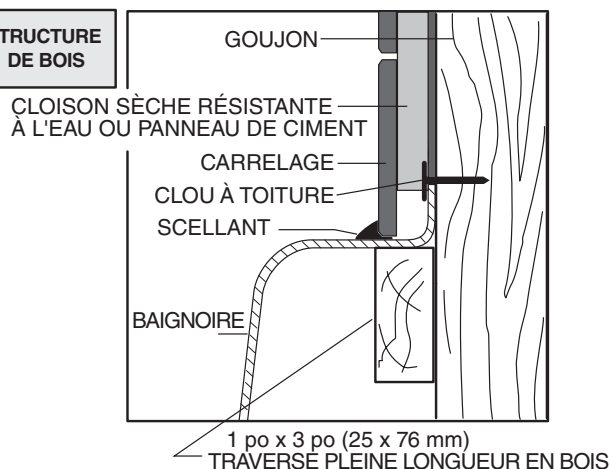
Le naphta peut être utilisé pour éliminer l'excès d'adhésif et de la peinture à l'huile fraîche.

## RÉFÉRENCES DE MESURES FOURNIES POUR LES INSTALLATIONS ENCASTRÉES

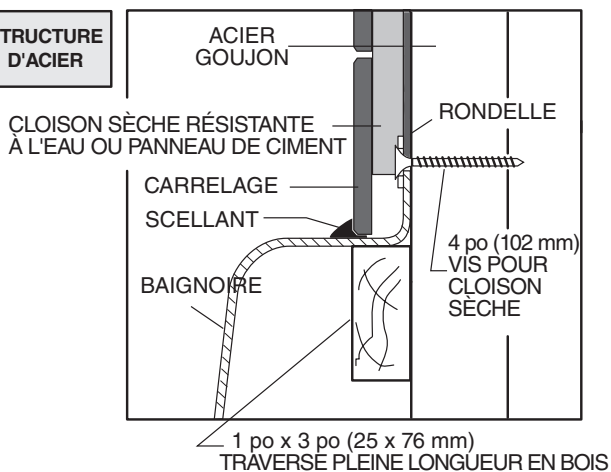


### INSTALLATION TYPIQUE AVEC REBORD EN CARRELAGE

STRUCTURE DE BOIS

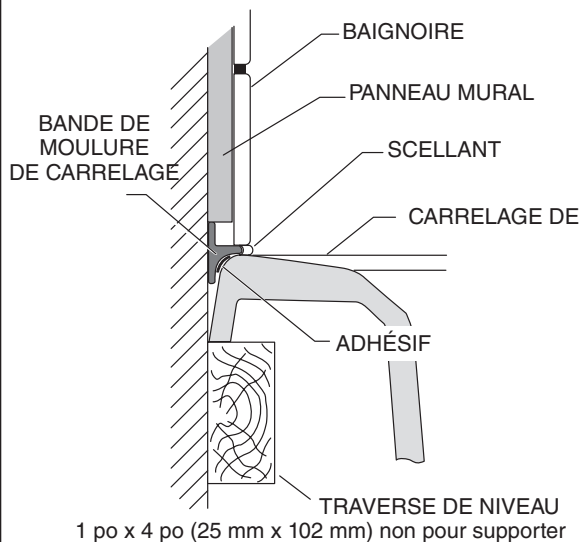


STRUCTURE D'ACIER



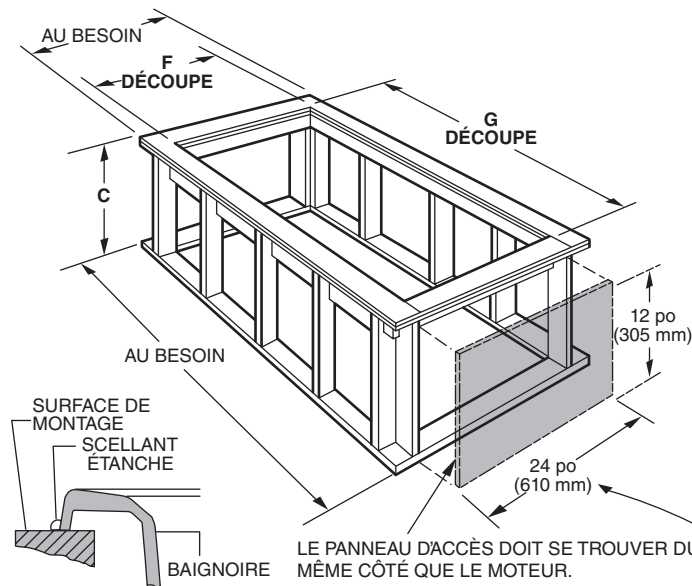
**FIXEZ LA BAIGNOIRE À LA STRUCTURE SELON CE QUI EST ILLUSTRÉ POUR UNE CONSTRUCTION EN BOIS OU EN ACIER.**

### INSTALLATION TYPIQUE AVEC MOULURE DE CARRELAGE



**REMARQUE :** La trousse de moulure de carrelage n'est pas incluse et doit être achetée séparément.

## RÉFÉRENCES DE LA PLOMBERIE BRUTE POUR LES INSTALLATIONS DE TYPE PILIER



LE PANNEAU D'ACCÈS DOIT SE TROUVER DU MÊME CÔTÉ QUE LE MOTEUR.  
RÉSERVEZ UNE OUVERTURE DANS L'ENCADREMENT CÔTÉ POMPE/MOTEUR POUR L'ENTRETIEN.  
**LES PANNEAUX D'ACCÈS NE SONT PAS REQUIS POUR LES BAIGNOIRES.**

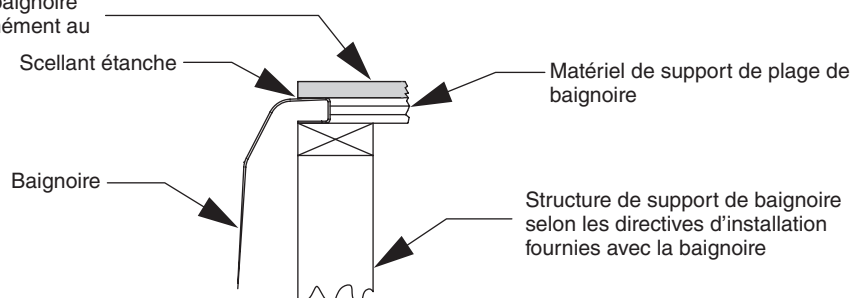
**À MOINS QU'UNE OUVERTURE D'ACCÈS D'AU MOINS 12 PO X 24 PO (305 X 610 MM) NE SOIT PRATIQUÉE, LE SERVICE DE GARANTIE NE SERA PAS EXÉCUTÉ.**

## DIRECTIVES POUR LE MONTAGE SOUS LA PLAGES

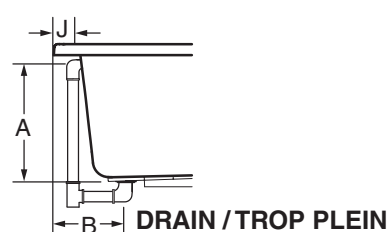
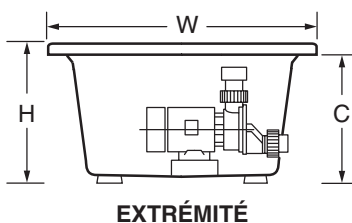
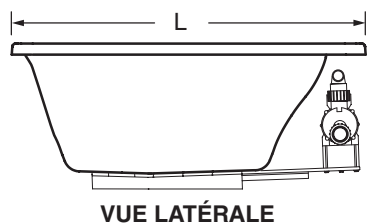
Veillez prendre note que la surface de la baignoire doit être protégée en tout temps durant l'installation. Ne percez ni ne découpez la plage de la baignoire directement au dessous de cette dernière au risque de l'endommager.

1. Installez la baignoire conformément aux directives d'installation fournies.
2. Préparez la structure de soutien de plage de baignoire selon le code du bâtiment local. Remarque – la plage de la baignoire doit être autoporteuse.
3. Découpez la plage de la baignoire selon vos spécifications.
4. Positionnez la plage de la baignoire et tracez l'ouverture sur la baignoire avec un crayon gras. Ne percez ni ne découpez la plage de la baignoire directement au dessous de cette dernière au risque de l'endommager.
5. Retirez la plage de la baignoire et appliquez un généreux ruban de scellant imperméable à l'eau sur le bord extérieur du tracé.
6. Reposez la plage de la baignoire et fixez-la en place.
7. Au besoin, appliquez d'autre scellant le long de l'interface de la baignoire et de la plage afin d'obtenir un joint parfaitement étanche.
8. Éliminez l'excès de scellant conformément aux directives du fabricant.

Le matériel de finition de plage de baignoire doit être autoporteur et fixé conformément au code du bâtiment local.



## SPÉCIFICATIONS :

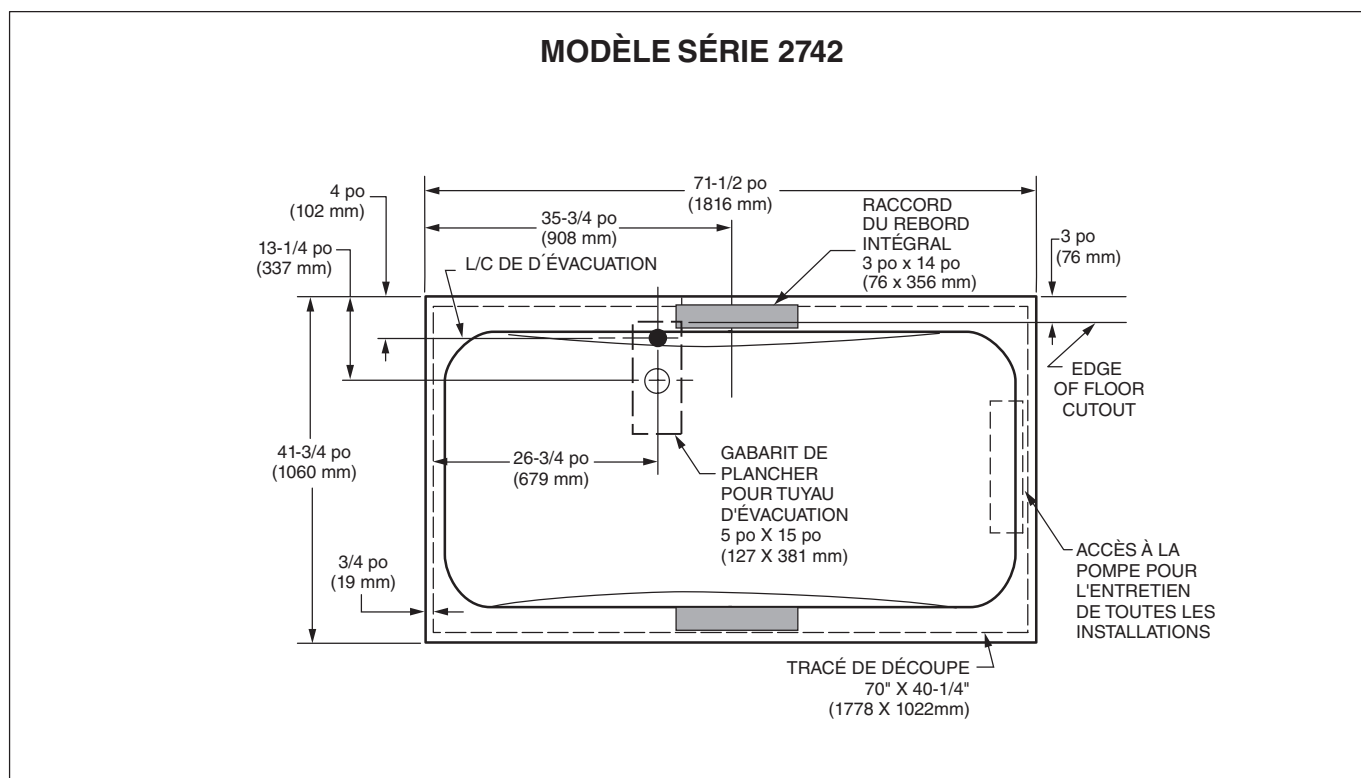


## CARACTÉRISTIQUES GÉNÉRALES DES BAIGNOIRES À REMOUS ET DES BAIGNOIRES

Description	Dimensions Longueur - largeur - hauteur	Drain / Trop plein	Hauteur de la surface inférieure du bord de tablier : C	Découpe Pilier G x F	Mesures fournies Renforce- ment E x D	Rebord de baignoire à la ligne du centre du trop-plein : J	Poids avec eau / charge au plancher	Produit Poids	Gallon jusqu'au trop-plein	Baignoire à remous Fonction- nement Volume
2742 6 pi x 42 po	Longueur 71-1/2 po (1816 mm) Largeur 41-3/4 po (1060 mm) Hauteur 22 po (559 mm)	A 16-1/4 po (413 mm) B 13-1/4 po (337 mm)	C 20 po (508 mm)	70 po (1778 mm) x 40-1/4 po (1022 mm)	71-11/16 po (1821 mm) x 40-1/4 po (1022 mm)	4 po (102 mm)	690 lb. (313 kg)/ 33 lb./pi.c. (161 kg/m.c.)	115 lb. (52 kg.)	69 gal. (261 l.)	60 gal. (227 l.)
2748 5 pi x 42 po	Longueur 59-1/2 po (1511mm) Largeur 41-5/8 po (1057 mm) Hauteur 23 po (584 mm)	A 14-1/2 po (368 mm) B 14-1/2 po (368 mm)	C 21 po (533 mm)	58 po (1473 mm) x 40-1/8 po (1019 mm)	59-11/16 po (1517 mm) x 40-1/8 po (1019 mm)	5-1/4 po (133 mm)	611 lb. (277 kg)/ 40 lb./pi.c. (196 kg/m.c.)	110 lb. (50 kg.)	60 gal. (227 l.)	55 gal. (208 l.)
2806 6 pi x 36 po	Longueur 72 po (1829 mm) Largeur 35-3/4 po (908 mm) Hauteur 21-1/2 po (546 mm)	A 17 po (432 mm) B 11 po (279 mm)	C 19-1/2 po (495 mm)	Gabarit Fourni	Comme désiré	5-1/2 po (140 mm)	744 lb. (338 kg)/ 41 lb./pi.c. (200 kg/m.c.)	135 lb. (61 kg.)	73 gal. (276 l.)	44 gal. (166 l.)
2903 5 pi x 42 po	Longueur 60 po (1524 mm) Largeur 42-1/4 po (1073 mm) Hauteur 21-1/4 po (540 mm)	A 17 po (432 mm) B 9-1/2 po (241 mm)	C 19-1/4 po (489 mm)	Gabarit Fourni	Comme désiré	3 po (76 mm)	640 lb. (291 kg)/ 35 lb./pi.c. (171 kg/m.c.)	107 lb. (49 kg.)	64 gal. (242 l.)	53 gal. (200 l.)

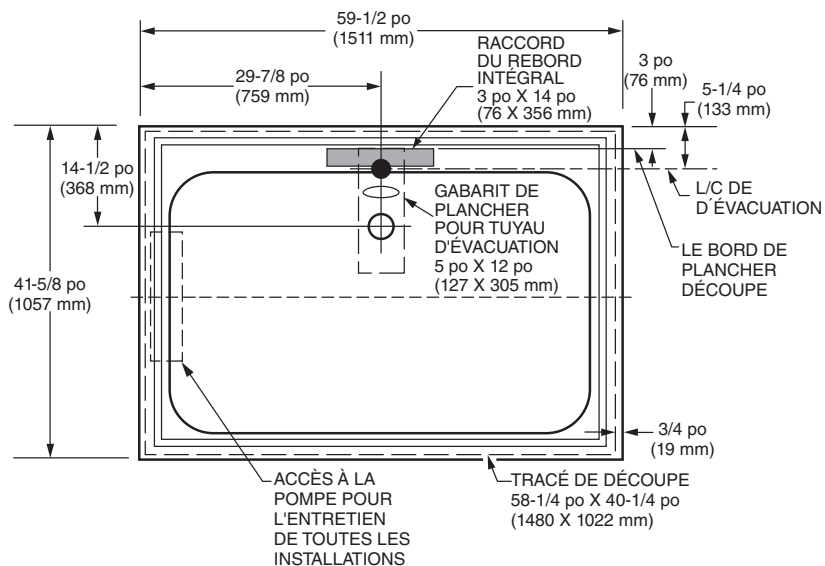
TABLEAU 1

## RÉFÉRENCES DE CANALISATION

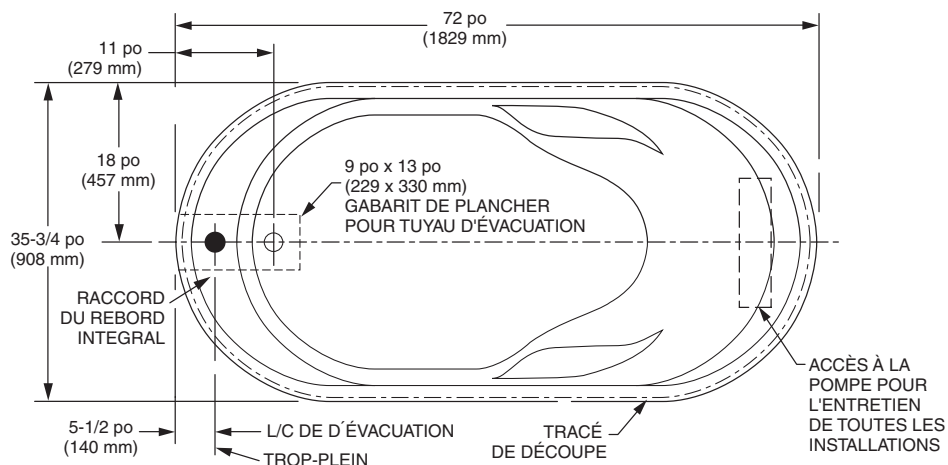


## RÉFÉRENCES DE CANALISATION

### MODÈLE SÉRIE 2748

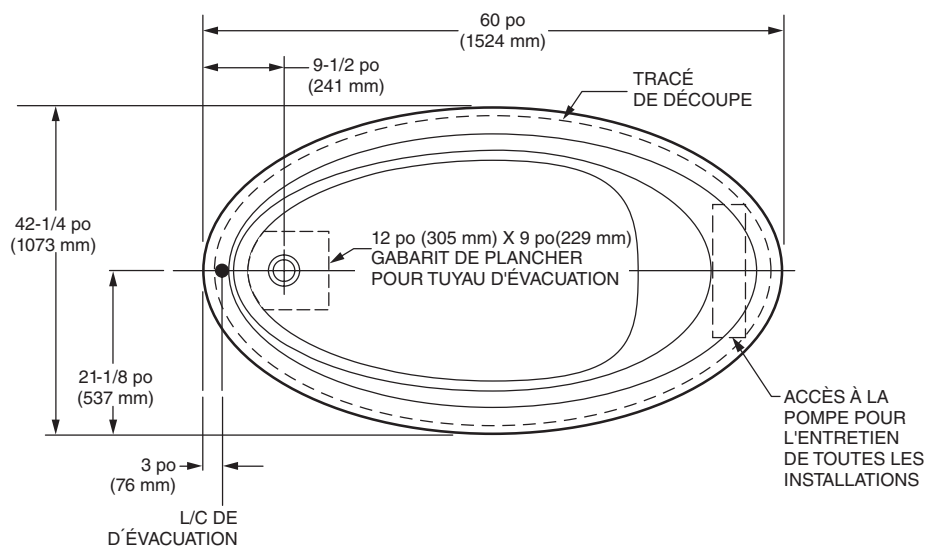


### MODÈLE SÉRIE 2806

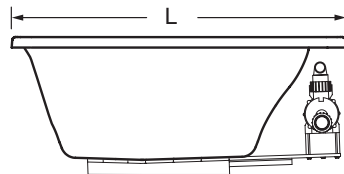


## RÉFÉRENCES DE CANALISATION

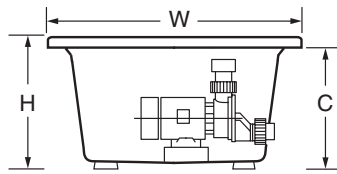
### MODÈLE SÉRIE 2903



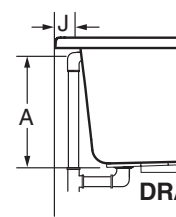
## SPÉCIFICATIONS :



VUE LATÉRALE



EXTRÉMITÉ



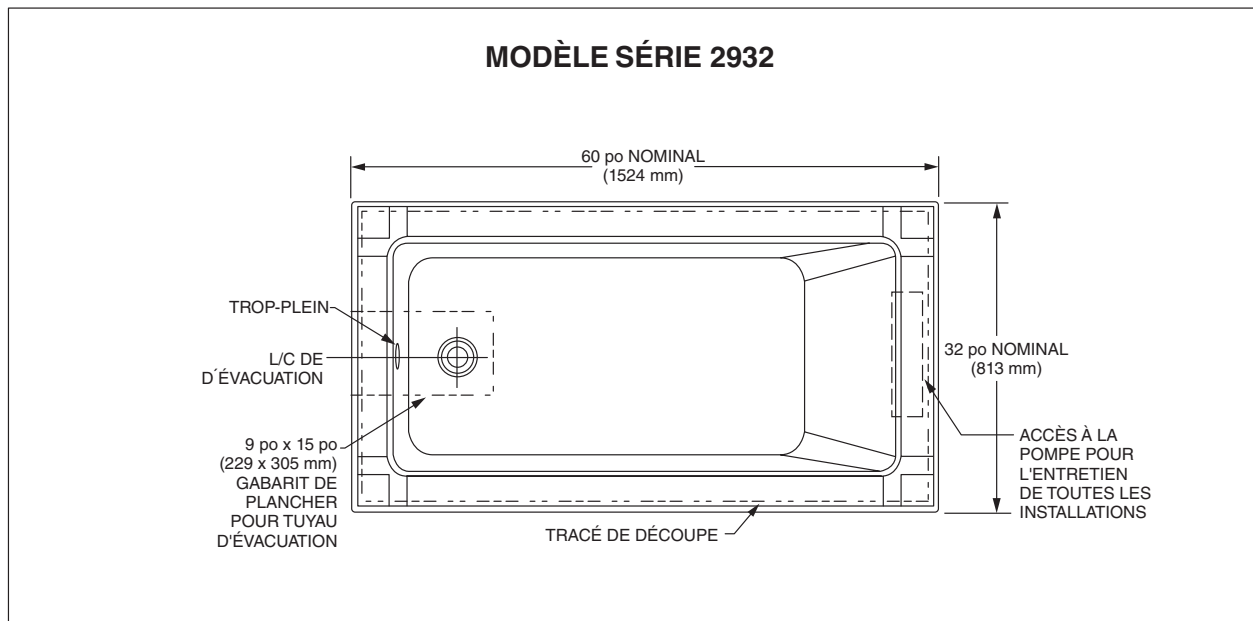
DRAIN / TROP PLEIN

## CARACTÉRISTIQUES GÉNÉRALES DES BAIGNOIRES À REMOUS ET DES BAIGNOIRES STUDIO 5 pi x 32 po

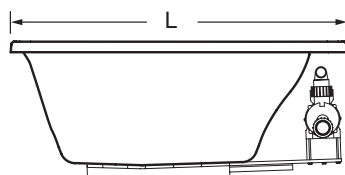
Description	Option de garniture de plage	Dimensions Longueur - largeur - hauteur	Drain / Trop plein	Hauteur de la surface inférieure du bord de tablier : C	Découpe Pilier G x F	Mesures fournies Renforcement E x D	Rebord de baignoire à la ligne du centre du trop-plein : J	Poids avec eau / charge au plancher	Produit Poids	Gallon jusqu'au trop-plein	Baignoire à remous Fonctionnement Volume
2932 5 pi x 32 po	Zéro (5/8 po)	Longueur 59-1/2 po (1511 mm) Largeur 31-1/2 po (800 mm) Hauteur 22-1/2 po (572 mm)	A 17-3/4 po (451 mm) B 10-3/4 po (273 mm)	C 21-7/8 po (556 mm)	58 po (1473 mm) x 30 po (762 mm)	59-11/16 po (1516 mm) x 30 po (762 mm)	3-1/4 po (83 mm)	581 lb. (264 kg)/ 44 lb./pi.c. (213 kg/m.c.)	90 lb. (198 kg.)	59 gal. (224 l.)	54 gal. (205 l.)
2932 5 pi x 32 po	2 po	Longueur 59-3/4 po (1518 mm) Largeur 31-3/4 po (806 mm) Hauteur 22-1/2 po (572 mm)	A 17-3/4 po (451 mm) B 10-7/8 po (276 mm)	C 20-1/2 po (521 mm)	58-1/4 po (1480 mm) x 30-1/4 po (768 mm)	59-15/16 po (1522 mm) x 30-1/4 po (768 mm)	3-1/4 po (83 mm)	581 lb. (264 kg)/ 44 lb./pi.c. (213 kg/m.c.)	90 lb. (198 kg.)	59 gal. (224 l.)	54 gal. (205 l.)

TABLEAU 2

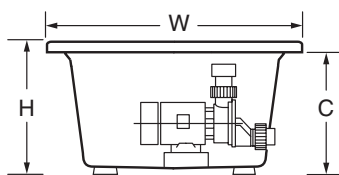
## RÉFÉRENCES DE CANALISATION



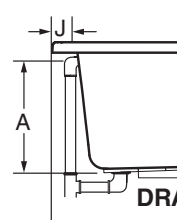
## SPECIFICATIONS :



VUE LATÉRALE



EXTRÉMITÉ



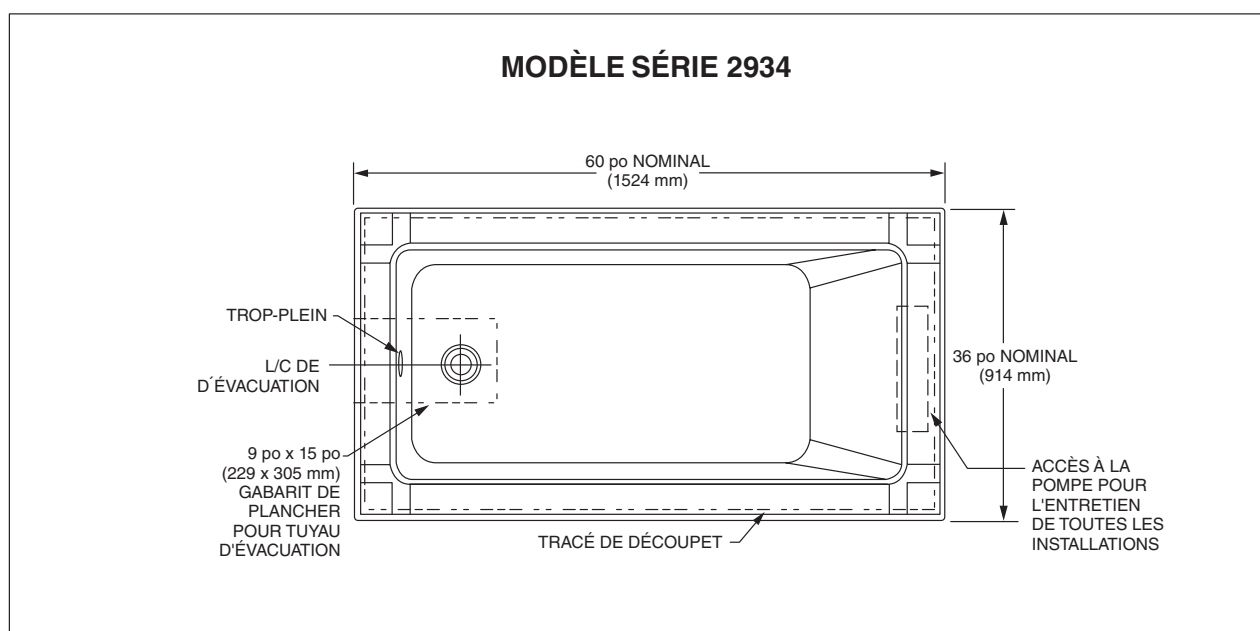
DRAIN / TROP PLEIN

## CARACTÉRISTIQUES GÉNÉRALES DES BAIGNOIRES À REMOUS ET DES BAIGNOIRES STUDIO 5 pi x 36 po

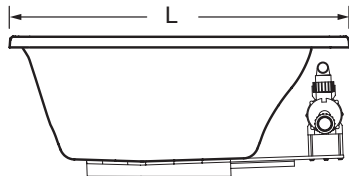
Description	Option de garniture de plage	Dimensions Longueur - largeur - hauteur	Drain / Trop plein	Hauteur de la surface inférieure du bord de tablier : C	Découpe Pilier G x F	Mesures fournies Renforcement E x D	Rebord de baignoire à la ligne du centre du trop-plein : J	Poids avec eau / charge au plancher	Produit Poids	Gallon jusqu'au trop-plein	Baignoire à remous Fonctionnement Volume
2934 5 pi x 36 po	Zéro (5/8 po)	Longueur 59-1/2 po (1511 mm) Largeur 35-1/2 po (902 mm) Hauteur 22-1/2 po (572 mm)	A 17-3/4 po (451 mm) B 10-3/4" (273 mm)	C 21-7/8 po (556 mm)	58 po (1473 mm) x 34 po (864 mm)	59-11/16 po (1516 mm) x 34 po (864 mm)	3-1/4 po (83 mm)	686 lb. (311 kg)/ 46 lb./pi.c. (223 kg/m.c.)	95 lb. (209 kg.)	71 gal. (269 l.)	64 gal. (243 l.)
2934 5 pi x 36 po	2 po	Longueur 59-3/4 po (1518 mm) Largeur 35-3/4 po (908 mm) Hauteur 22-1/2 po (572 mm)	A 17-3/4 po (451 mm) B 10-7/8 po (276 mm)	C 20-1/2 po (521 mm)	58-1/4 po (1480 mm) x 34-1/4 po (870 mm)	59-15/16 po (1522 mm) x 34-1/4 po (870 mm)	3-1/4 po (83 mm)	686 lb. (311 kg)/ 46 lb./pi.c. (223 kg/m.c.)	95 lb. (209 kg.)	71 gal. (269 l.)	64 gal. (243 l.)

TABLEAU 3

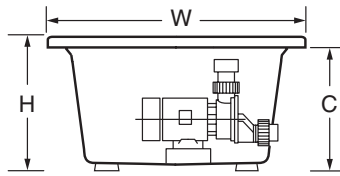
## RÉFÉRENCES DE CANALISATION



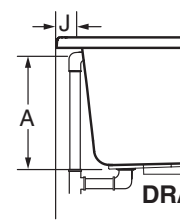
## SPÉCIFICATIONS :



VUE LATÉRALE



EXTRÉMITÉ



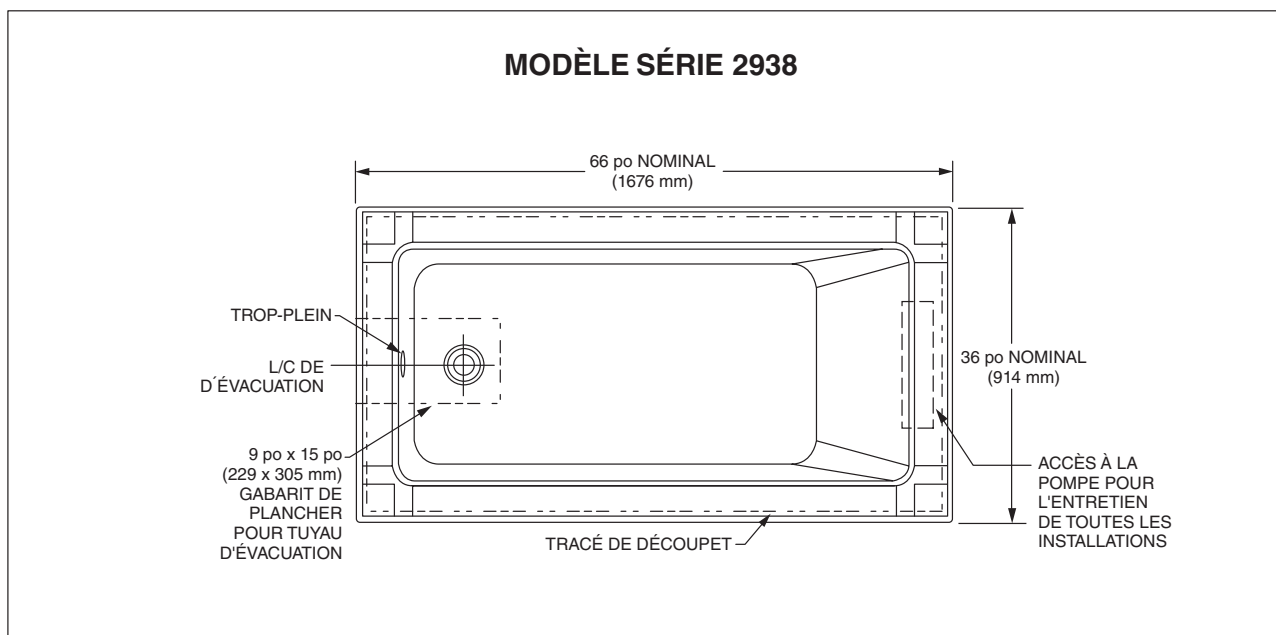
DRAIN / TROP PLEIN

## CARACTÉRISTIQUES GÉNÉRALES DES BAIGNOIRES À REMOIS ET DES BAIGNOIRES STUDIO 5-1/2 pi x 36 po

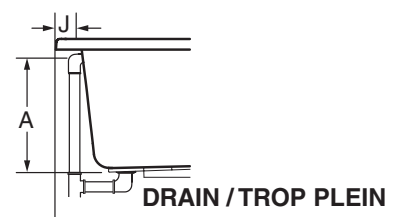
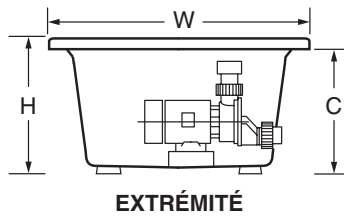
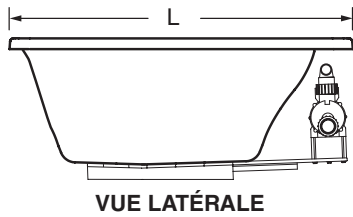
Description	Option de garniture de plage	Dimensions Longueur - largeur - hauteur	Drain / Trop plein	Hauteur de la surface inférieure du bord de tablier : C	Découpe Pilier G x F	Mesures fournies Renforcement E x D	Rebord de baignoire à la ligne du centre du trop-plein : J	Poids avec eau / charge au plancher	Produit Poids	Gallon jusqu'au trop-plein	Baignoire à remous Fonctionnement Volume
2938 5-1/2 pi x 36 po	Zéro (5/8 po)	Longueur 65-1/2 po (1664 mm) Largeur 35-1/2 po (902 mm) Hauteur 22-1/2 po (572 mm)	A 17-3/4 po (451 mm) B 10-3/4 po (273 mm)	C 21-7/8 po (556 mm)	64 po (1626 mm) x 34 po (864 mm)	65-11/16 po (1668 mm) x 34 po (864 mm)	3-1/4 po (83 mm)	766 lb. (348 kg)/ 46 lb./pi.c. (227 kg/m.c.)	100 lb. (220 kg.)	80 gal. (303 l.)	73 gal. (277 l.)
2938 5-1/2 pi x 36 po	2 po	Longueur 65-3/4 po (1670 mm) Largeur 35-3/4 po (908 mm) Hauteur 22-1/2 po (572 mm)	A 17-3/4 po (451 mm) B 10-7/8 po (276 mm)	C 20-1/2 po (521 mm)	64-1/4 po (1632 mm) x 34-1/4 po (870 mm)	65-15/16 po (1675 mm) x 34-1/4 po (870 mm)	3-1/4 po (83 mm)	766 lb. (348 kg)/ 46 lb./pi.c. (227 kg/m.c.)	100 lb. (220 kg.)	80 gal. (303 l.)	73 gal. (277 l.)

TABLEAU 4

## RÉFÉRENCES DE CANALISATION



## SPÉCIFICATIONS :

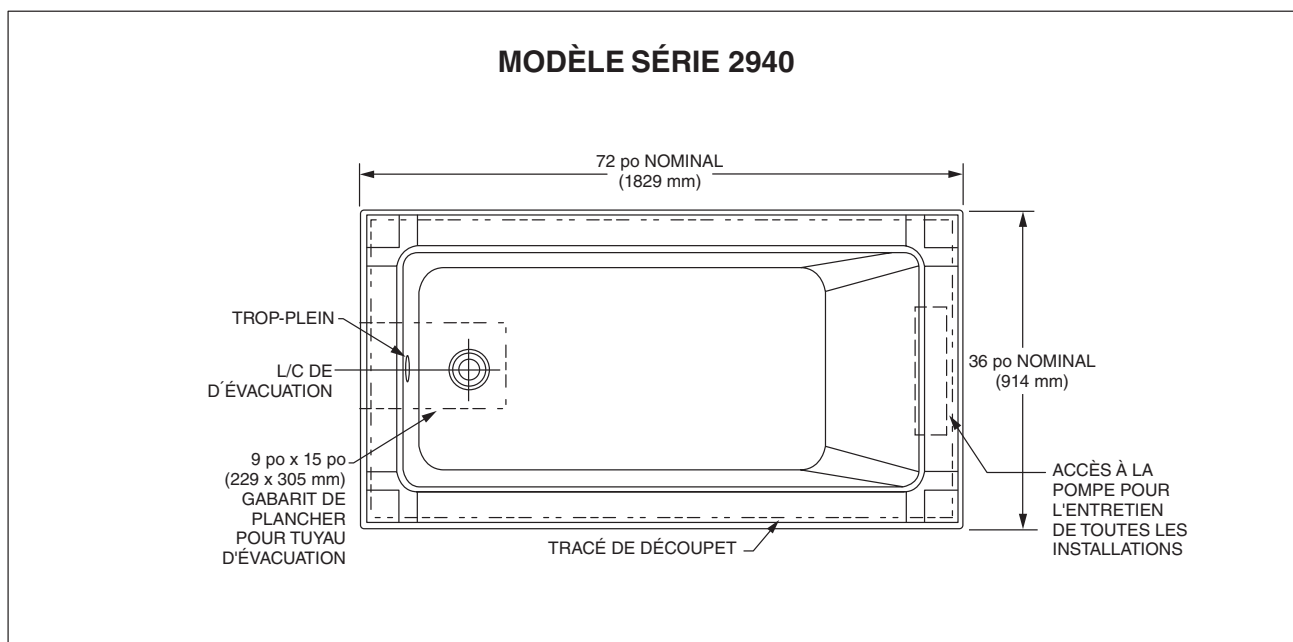


## CARACTÉRISTIQUES GÉNÉRALES DES BAIGNOIRES À REMOUS ET DES BAIGNOIRES STUDIO 6 pi x 36 po

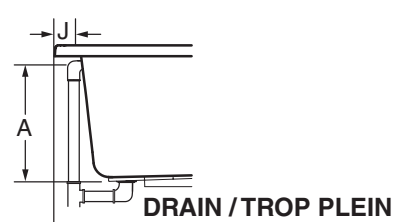
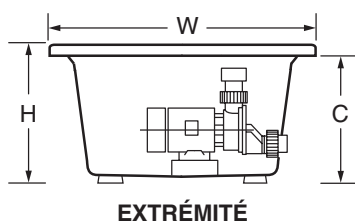
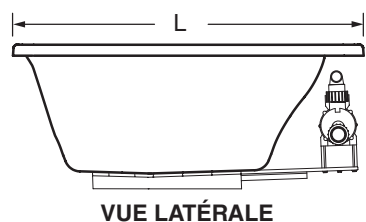
Description	Option de garniture de plage	Dimensions Longueur - largeur - hauteur	Drain / Trop plein	Hauteur de la surface inférieure du bord de tablier : C	Découpe Pilier G x F	Mesures fournies Renforcement E x D	Rebord de baignoire à la ligne du centre du trop-plein : J	Poids avec eau / charge au plancher	Produit Poids	Gallon jusqu'au trop-plein	Baignoire à remous Fonctionnement Volume
2940 6 pi x 36 po	Zéro (5/8 po)	Longueur 71-1/2 po (1816 mm) Largeur 35-1/2 po (902 mm) Hauteur 22-1/2 po (572 mm)	A 17-3/4 po (451 mm) B 10-3/4 po (273 mm)	C 21-7/8 po (556 mm)	70 po (1778 mm) x 34 po (864 mm)	71-11/16 po (1821 mm) x 34 po (864 mm)	3-1/4 po (83 mm)	846 lb. (384 kg)/ 47 lb./pi.c. (230 kg/m.c.)	105 lb. (231 kg.)	89 gal. (337 l.)	81 gal. (307 l.)
2940 6 pi x 36 po	2 po	Longueur 71-3/4 po (1822 mm) Largeur 35-3/4 po (908 mm) Hauteur 22-1/2 po (572 mm)	A 17-3/4 po (451 mm) B 10-7/8 po (276 mm)	C 20-1/2 po (521 mm)	70-1/4 po (1784 mm) x 34-1/4 po (870 mm)	71-15/16 po (1827 mm) x 34-1/4 po (870 mm)	3-1/4 po (83 mm)	846 lb. (384 kg)/ 47 lb./pi.c. (230 kg/m.c.)	105 lb. (231 kg.)	89 gal. (337 l.)	81 gal. (307 l.)

TABLEAU 5

## RÉFÉRENCES DE CANALISATION



## SPÉCIFICATIONS :

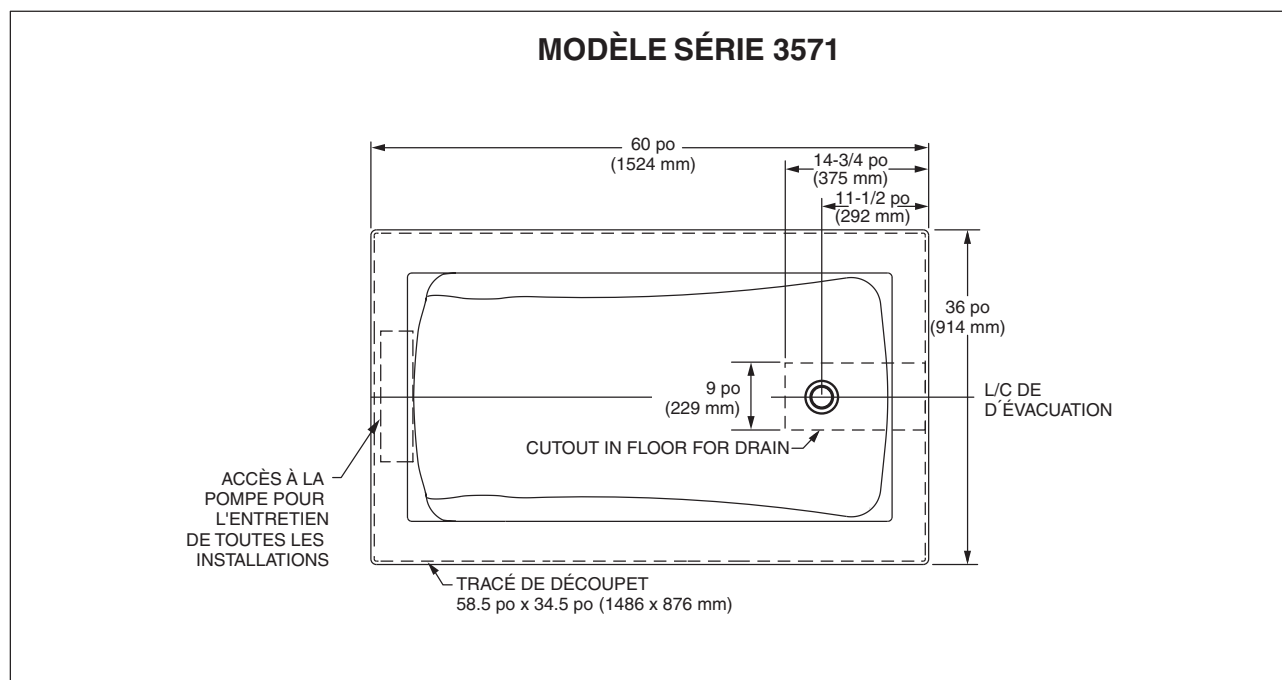


## CARACTÉRISTIQUES GÉNÉRALES DES BAIGNOIRES À REMOUS ET DES BAIGNOIRES GREEN TEA

Description	Dimensions Longueur - largeur - hauteur	Drain / Trop plein	Hauteur de la surface inférieure du bord de tablier : C	Découpe Piller G x F	Mesures fournies Renforcement E x D	Rebord de baignoire à la ligne du centre du trop-plein : J	Poids avec eau / charge au plancher	Produit Poids	Gallon jusqu'au trop-plein	Baignoire à remous Fonctionnement Volume
3571 5 pi x 36 po	Longueur 60 po (1524 mm) Largeur 36 po (914 mm) Hauteur 21 po (533 mm)	A 16 po (406 mm) B 11-1/2 po (349 mm)	C 19 po (483 mm)	58-1/2 po (1485 mm) x 34-1/2 po (876 mm)	60-3/16 po (1529 mm) x 34-1/2 po (876 mm)	3-1/2 po (89 mm)	519 lb. (236 kg)/ 35 lb./pi.c. (171 kg/m.c.)	86 lb. (39 kg.)	52 gal. (197 l.)	38 gal. (144 l.)
3572 5-1/2 pi x 36 po	Longueur 66 po (1676 mm) Largeur 36 po (914 mm) Hauteur 21 po (533 mm)	A 16 po (406 mm) B 11-1/2 po (349 mm)	C 19 po (483 mm)	64-1/2 po (1638 mm) x 34-1/2 po (876 mm)	66-3/16 po (1681 mm) x 34-1/2 po (876 mm)	3-3/4 po (95 mm)	592 lb. (269 kg)/ 36 lb./pi.c. (176 kg/m.c.)	100 lb. (45 kg.)	59 gal. (223 l.)	44 gal. (166 l.)
3573 6 pi x 36 po	Longueur 72 po (1829 mm) Largeur 36 po (914 mm) Hauteur 21 po (533 mm)	A 16 po (406 mm) B 11-1/2 po (349 mm)	C 19 po (483 mm)	70-1/2 po (1791 mm) x 34-1/2 po (876 mm)	72-3/16 po (1834 mm) x 34-1/2 po (876 mm)	3-1/2 po (89 mm)	665 lb. (302 kg)/ 37 lb./pi.c. (181 kg/m.c.)	115 lb. (52 kg.)	66 gal. (250 l.)	49 gal. (185 l.)
3574 5 pi x 42 po	Longueur 60 po (1524 mm) Largeur 42 po (1067 mm) Hauteur 21 po (533 mm)	A 16 po (406 mm) B 11-1/2 po (349 mm)	C 19 po (483 mm)	58-1/2 po (1485 mm) x 40-1/2 po (1029 mm)	60-3/16 po (1528 mm) x 40-1/2 po (1029 mm)	3-1/8 po (79 mm)	656 lb. (298 kg)/ 38 lb./pi.c. (186 kg/m.c.)	115 lb. (52 kg.)	65 gal. (246 l.)	47 gal. (178 l.)
3575 6 pi x 42 po	Longueur 72 po (1829 mm) Largeur 42 po (1067 mm) Hauteur 21 po (533 mm)	A 16 po (406 mm) B 11-1/2 po (349 mm)	C 19 po (483 mm)	70-1/2 po (1791 mm) x 40-1/2 po (1029 mm)	72-3/16 po (1834 mm) x 40-1/2 po (1029 mm)	3-1/2 po (89 mm)	785 lb. (356 kg)/ 37 lb./pi.c. (181 kg/m.c.)	127 lb. (57 kg.)	79 gal. (299 l.)	58 gal. (219 l.)

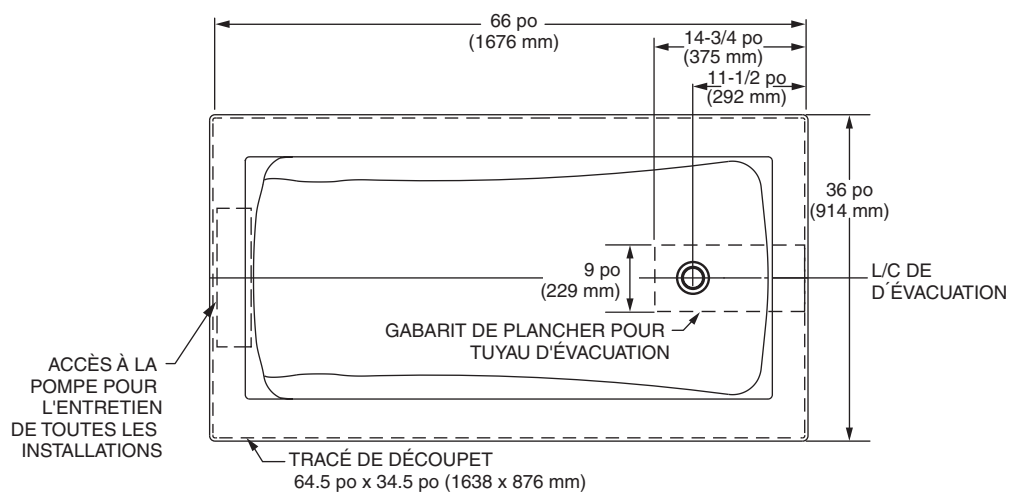
TABLEAU 6

## RÉFÉRENCES DE CANALISATION

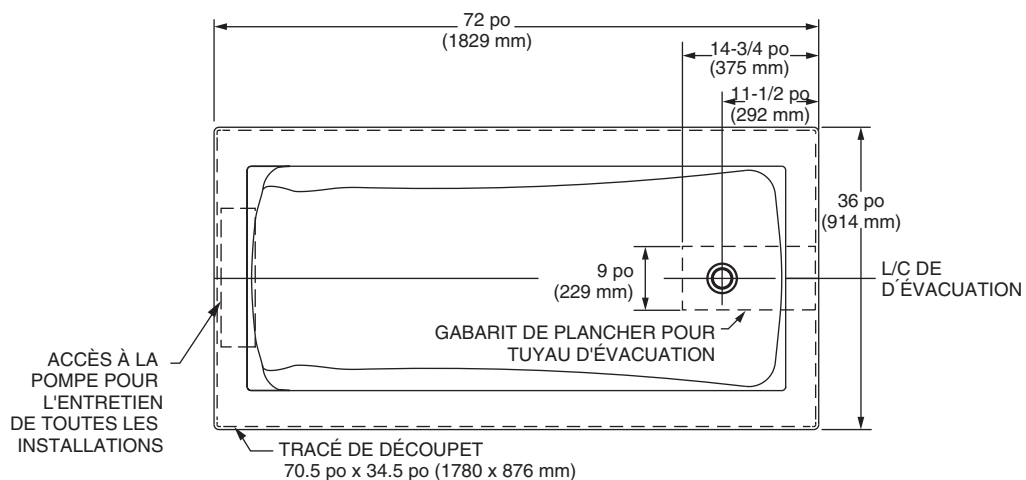


## RÉFÉRENCES DE CANALISATION

### MODÈLE SÉRIE 3572

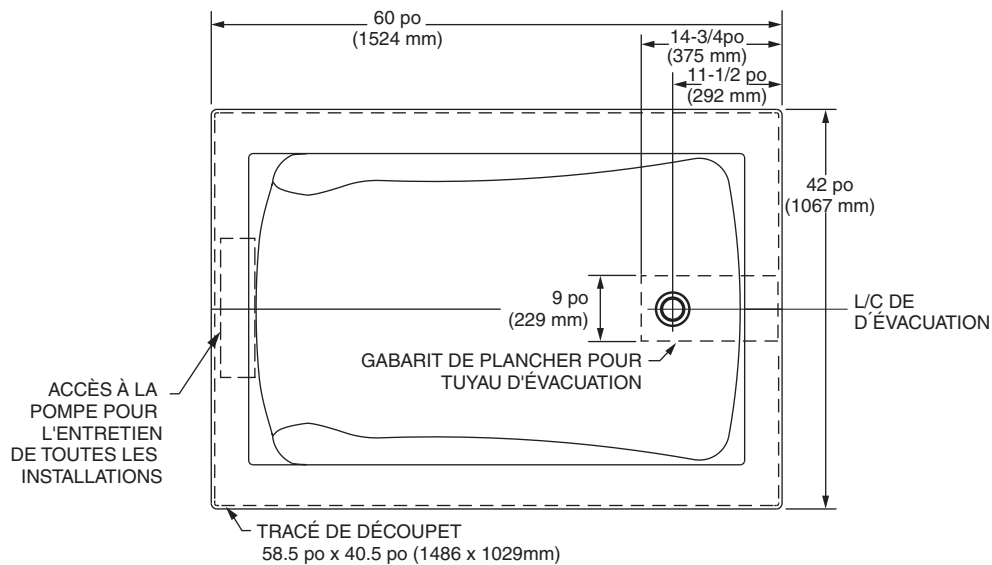


### MODÈLE SÉRIE 3573

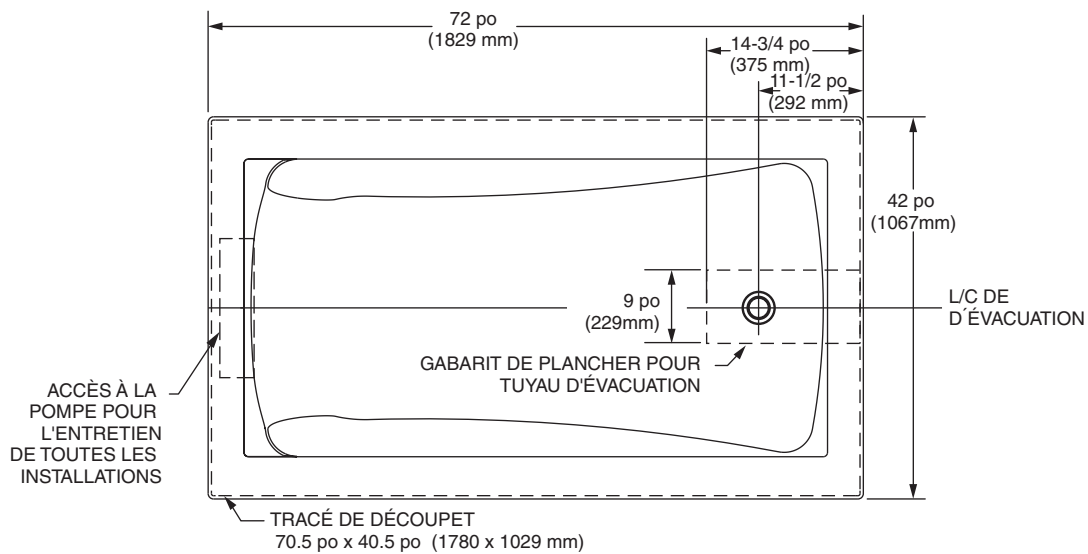


## RÉFÉRENCES DE CANALISATION

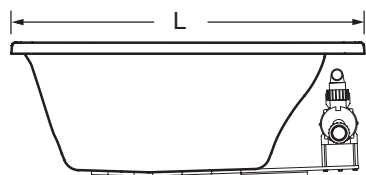
### MODÈLE SÉRIE 3574



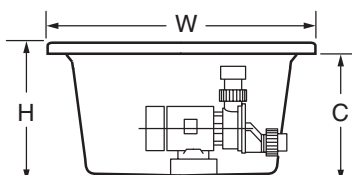
### MODÈLE SÉRIE 3575



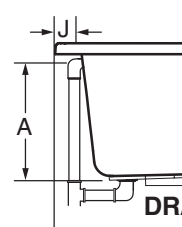
## SPÉCIFICATIONS :



VUE LATÉRALE



EXTRÉMITÉ



DRAIN / TROP PLEIN

## CARACTÉRISTIQUES GÉNÉRALES DES BAIGNOIRES À REMOUS ET DES BAIGNOIRES SERIN

Description	Dimensions Longueur - largeur - hauteur	Drain / Trop plein	Hauteur de la surface inférieure du bord de tablier : C	Découpe Pilier G x F	Mesures fournies Renforce- ment E x D	Rebord de baignoire à la ligne du centre du trop-plein : J	Poids avec eau / charge au plancher	Produit Poids	Gallon jusqu'au trop-plein	Baignoire à remous Fonctionnement Volume
3581 5 pi x 32 po	Longueur 60 po (1524 mm) Largeur 32 po (813 mm) Hauteur 23 po (584 mm)	A 16-3/4 po (425 mm) B 10-1/4 po (260 mm)	C 20 po (508 mm)	58-1/2 po (1486 mm) x 30-1/2 po (775 mm)	60-3/16 po (1529 mm) x 30-1/2 po (775 mm)	4-1/8 po (105 mm)	597 lb. (271 kg)/ 45 lb./pi.c. (219 kg/m.c.)	85 lb. (37 kg.)	54 gal. (246 l.)	49 gal. (186 l.)

TABLEAU 7

## RÉFÉRENCES DE CANALISATION

