

INSTALLATION INSTRUCTIONS

TOWN SQUARE® S INTEGRAL APRON TUB

60x30" RHO 2545102 / LHO 2545202
60x32" RHO 2544102 / LHO 2544202

American Standard

HIGH GLOSS ACRYLIC SURFACE

Thank you for selecting American Standard...the benchmark of fine quality for over 100 years. To ensure that your installation proceeds smoothly--please read these instructions carefully before you begin.

BEFORE YOU BEGIN....

Your new bath is shipped to you after careful inspection.

To ensure maximum performance and pleasure from this product, please follow the instructions and cautions.

Local building codes vary by location. Observe all local plumbing and building codes.

TOOLS & MATERIALS REQUIRED

TOOLS:

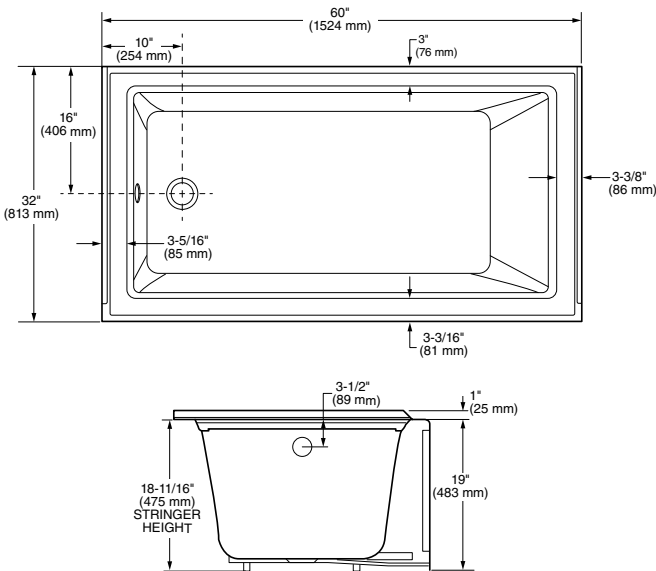
- Level
- Square
- Tape Measure
- Pipe Wrench
- Slip Joint Pliers
- Screw Driver
- Standard Woodworking Tools
- Personal Safety Equipment
- Caulking Gun

MATERIALS:

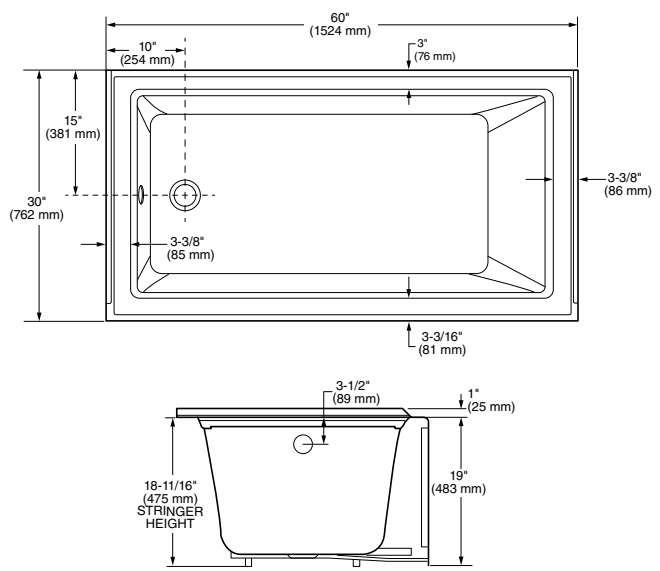
- Nails
- Plumber's Putty
- Silicone Sealant
- 1 x 3 or 2 x 4 Stringers
- Drop Cloth
- Mortar Mix or Grout

NOTE: Take extra care in handling surfaces of the bath. Use only non-abrasive cloths to avoid scratching.

ROUGH-IN INFORMATION: TOWN SQUARE® S INTEGRAL APRON TUB 2544102 / 2544202



ROUGH-IN INFORMATION: 2545 TOWN SQUARE® S INTEGRAL APRON TUB 2545102 / 2545202



GENERAL SPECIFICATIONS FOR 2544102/202 TUB

INSTALLED SIZE	60 x 32 x 19 In. (1524 x 813 x 483mm)
WEIGHT	74 Lbs. (34 Kg)
WEIGHT w/WATER	502 Lbs.(228 Kg)
GAL. TO OVERFLOW	51 Gal. (194 L)
BATHING WELL AT SUMP	20-7/16 x 43-1/4 In. (519 x 1098mm)
BATHING WELL AT RIM	25-13/16 x 53-1/4 In.(656 x 1353mm)
WATER DEPTH TO OVERFLOW	12-3/4 In. (324mm)
FLOOR LOADING (PROJECTED AREA)	38 Lbs./Sq.Ft. (186 Kgs/Sq.m)
PTS.	10.18
CUBE (FT ³)	28.00

GENERAL SPECIFICATIONS FOR 2545102/202 TUB

INSTALLED SIZE	60 x 30 x 19 In. (1524 x 762 x 483mm)
WEIGHT	70 Lbs. (32 Kg)
WEIGHT w/WATER	458 Lbs.(208 Kg)
GAL. TO OVERFLOW	47 Gal. (176 L)
BATHING WELL AT SUMP	18-7/16 x 43-1/4 In. (468 x 1098mm)
BATHING WELL AT RIM	23-13/16 x 53-1/4 In.(605 x 1353mm)
WATER DEPTH TO OVERFLOW	12-3/4 In. (324mm)
FLOOR LOADING (PROJECTED AREA)	37 Lbs./Sq.Ft. (179 Kgs/Sq.m)
PTS.	10.18
CUBE (FT ³)	26.39

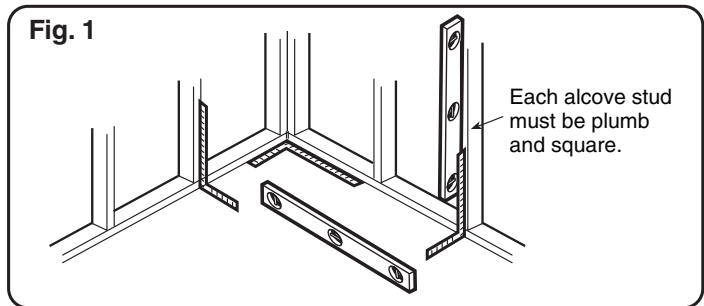
SAVE FOR FUTURE USE

GENERAL INSTALLATION INFORMATION ...

1. When installing coordinating bath walls, additional studs may be required. Refer to those installation instructions prior to installing tub.
2. Bath walls are to be installed over stud walls.
3. Bath may only be installed in a recess or fold over edge type installation.
4. It is recommended that the 2544 and 2545 Town Square S Tub be set in a small bed of mortar or grout to compensate for uneven floors. Stringers will help level tub, but will not provide adequate support.
5. Take extra care when driving nails or screws to avoid damaging the tub.

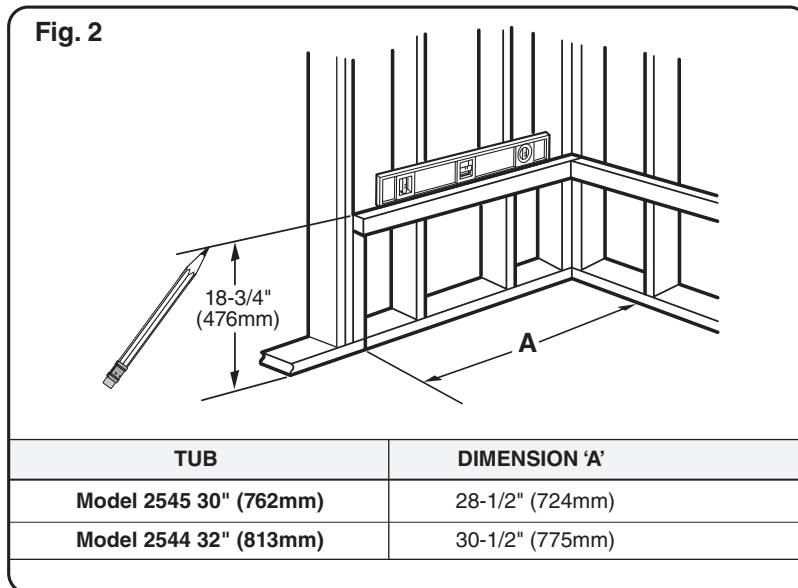
1 INSTALLATION AND FRAMING INSTRUCTIONS:

A.) Locate studs as required. Ensure roughing-in dimensions are proper, plumb, and square (Fig. 1). It is strongly recommended that an additional opening be provided for access to the drain components.



B.) As shown in Fig. 2, mark the position of the underside of the deck by tracing a line onto the studs at the height indicated, using a level or other suitable straight edge.

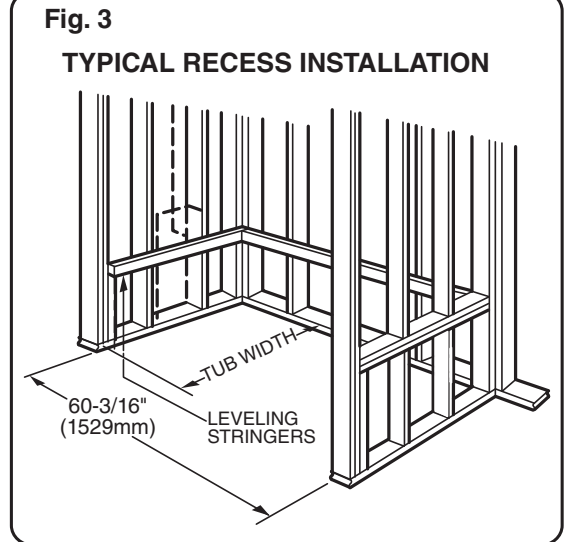
C.) With the top of the stringer touching the traced line, attach the stringer to the studs.



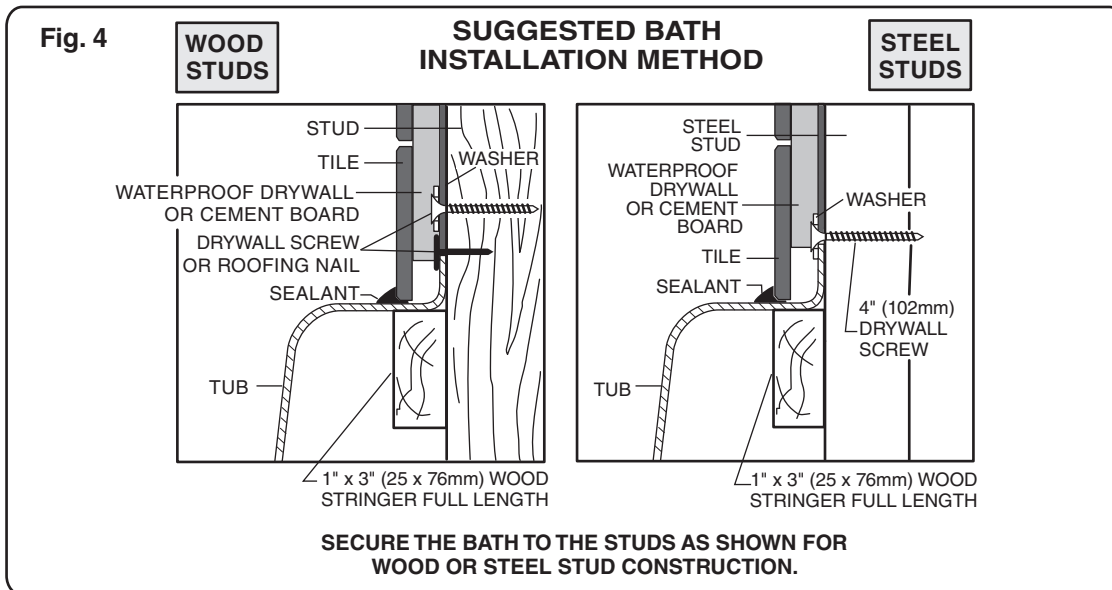
D.) Install drain components to the bath following the manufacturer's instructions. See the roughing-in drawing for suggested opening size and location dimensions.

A.) THIS BATH MUST BE SUPPORTED ALONG IT'S ENTIRE BOTTOM.

We recommend the use of mortar as bedding material (sand is not recommended). Apply enough bedding to support the complete bottom of the bath. After the bedding has been poured, and before it sets, position the bath within the recess until the rim is leveled against the leveling stringers (Fig. 3) shown below. The rim of the bath **MUST NOT** support weight. Allow the bedding material to completely harden before applying weight to the rim or bottom of the bath.



- B.)** Check level front to back and side to side, shim as necessary. To secure the tub to wood studs, use drywall screws with flatwashers or roofing nails immediately above the flange of the bath. To secure the tub to steel studs, use 4" (102mm) drywall screws and flatwashers. (Fig. 4)

TYPICAL FLANGE MOUNTING DETAIL

- C.)** Any finish material such as tile or wallboard must be self-supporting if it contacts the deck of the bath. Flooring will be butted against the bottom of the tub apron, also holding the tub in place.

DRAIN CONNECTION

Using recommended drain opening, connect bath drain to waste line. Tighten all drain joints securely.

POST INSTALLATION CLEAN-UP

Remove all construction debris from bath. Tile grout can be removed with a wooden popsicle stick or tongue depressor. Do not use wire brushes or any other metal implement on bath surface.

Post installation clean-up generally can be completed using warm water and liquid dishwashing detergent. Stubborn dirt or stains may be removed using granular Spic and Span® mixed with water.

Painter's naphtha can be used to remove excess adhesives and/or wet oil-base paint.

FEATURES of YOUR NEW AMERICAN STANDARD ACRYLIC BATHTUB

Your new acrylic bathtub has been molded in the newest plumbing fixture material available today. Acrylics are tough durable finishes that are simple and easy to care for. The colors have been formulated to match other American Standard fixtures and enhance your choice of bathroom decorations. The high gloss surface is resistant to impact and chemicals and will retain its lasting luster with proper care and maintenance.

AFTERCARE and CLEANING

- Always fill the tub with temperate water. Excessively hot water may cause surface damage.
- Remove bath mat after use and hang to dry. Allowing bath mat to dry in the tub may cause surface damage.
- Clean after use with a mild liquid household detergent cleaner. Abrasive cleaners such as Lestoil®, Lysol® Disinfectant (spray or concentrate), or Lysol® Basin, Tub and Tile Cleaner, Windex®, Mr. Clean®, Dow® Disinfectant Bathroom Cleaner, or cleaning products in aerosol cans should not be used.

HARSH CHEMICALS SHOULD NEVER BE USED ON ACRYLIC SURFACES.

- Do not use wire brushes, knives or sharp objects to remove stains, cigarette tar deposits, or other surface blemishes.
- Abrasive cleaners or powders must not be used, since they will dull the surface. If the glossy surface loses its sheen, dulled areas can be restored by rubbing with a white polishing compound and waxing with a "liquid wax."
- **Do not wax areas where you walk or stand.**
- Do not allow nail polish remover, acetone, dry cleaning fluid, paint remover or other solvents to come into contact with the surface.
- Clean the surrounding surface immediately after using caustic drain cleaners.
- Burning cigarettes will damage the surface.
- Should damage to the fixture occur, repairs can be made quickly and easily. Your distributor or builder can provide details.

SPIC AND SPAN® is a registered trademark of The Spic And Span Company
LESTOIL® is a registered trademark of the Clorox Company
LYSOL® is a registered trademark of Reckitt Benckiser

WINDEX® is a registered trademark of S.C. Johnson & Son, Inc
MR. CLEAN® is a registered trademark of Agile Pursuits Franchising, Inc.
DOW® is a registered trademark of Dow Chemical Company