

# INSTALLATION INSTRUCTIONS

## SHOWER & BATH WALLS

MODELS: 2945BW / 2945SW / 2946BW / 2946SW

**NOTE:** Take extra care in handling surfaces of the walls. Use only non-abrasive cloths to avoid scratching.

### TOOLS & MATERIALS REQUIRED....

#### TOOLS:

- ▲ Drill & Hole Saw or Sabre Saw
- Tape Measure
- Caulking Gun
- Pencil
- Square
- Level

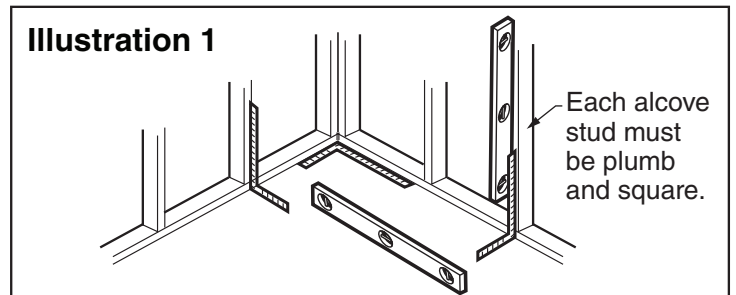
#### MATERIALS:

- Acrylic/Latex or Acrylic/Silicone Sealant
- Galvanized (or corrosion resistant) flat head screws 3/4" minimum length
- 2 x 4 lumber for additional wall studs as required
- Tub Surround Adhesive
- 1 x 4's if installing shower doors

### PREPARATION:

Studio® shower walls are to be installed directly over stud walls. Drywall is not required.

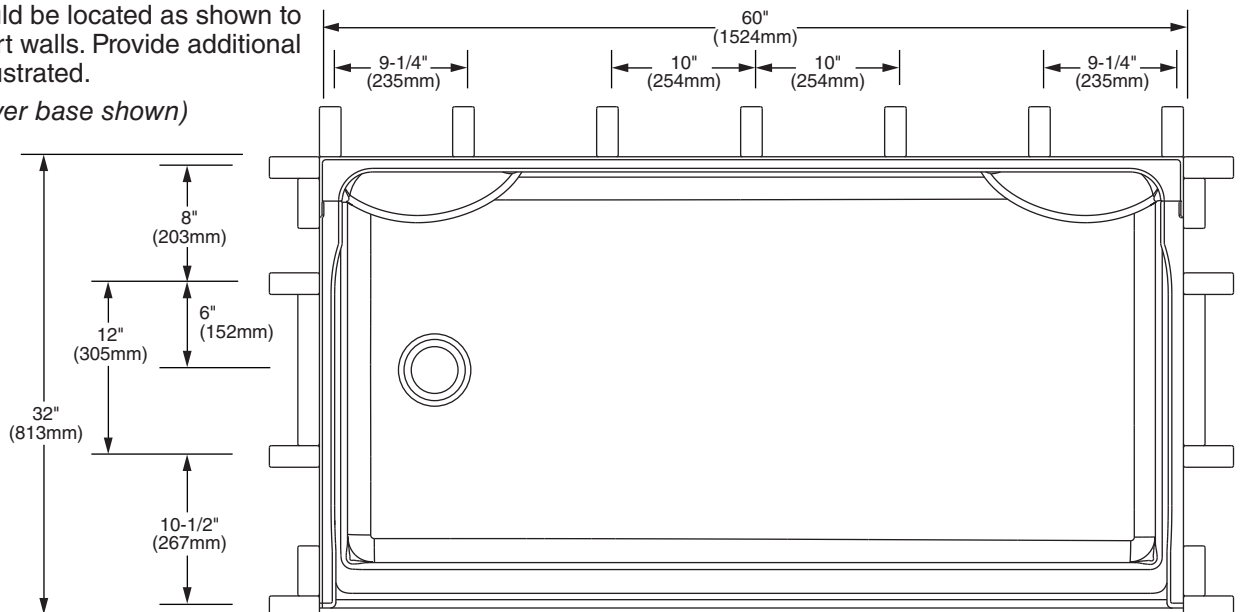
- Remove dry wall surface and ensure that alcove is plumb and square. (**Illustration 1**)
- Identify your model number in the illustrations which follow. Prepare studs as indicated.



#### Installation for Model# 2946.SW

The studs should be located as shown to properly support walls. Provide additional studs where illustrated.

(Left hand shower base shown)



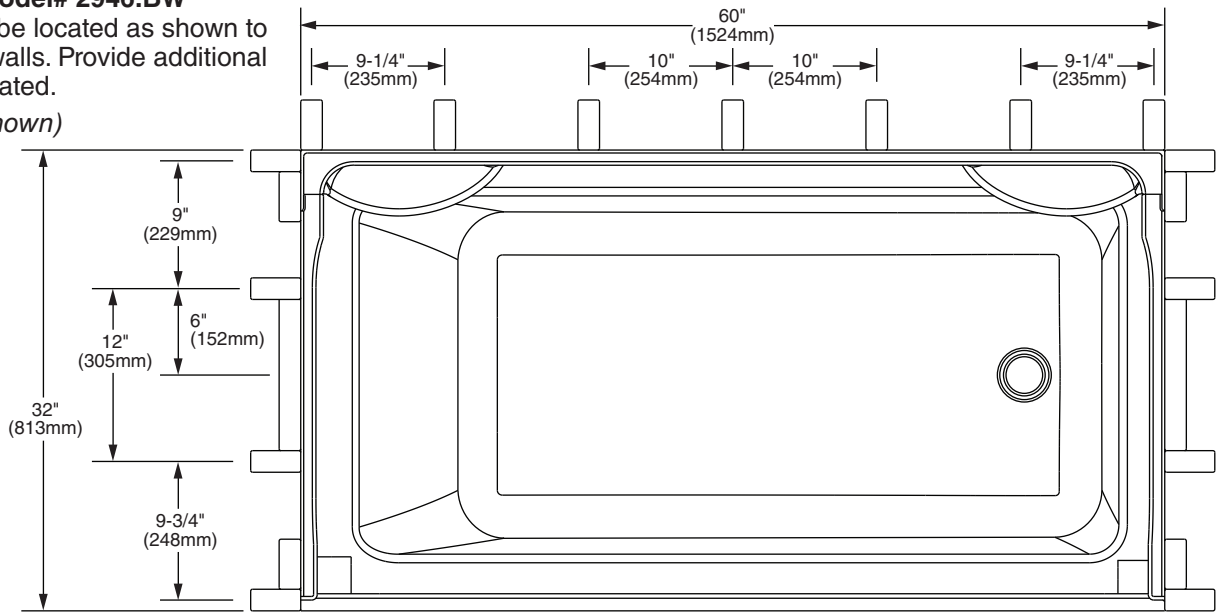
SAVE FOR FUTURE USE

**PREPARATION:**

**Installation for Model# 2946.BW**

The studs should be located as shown to properly support walls. Provide additional studs where illustrated.

(Right hand tub shown)



**IMPORTANT:**

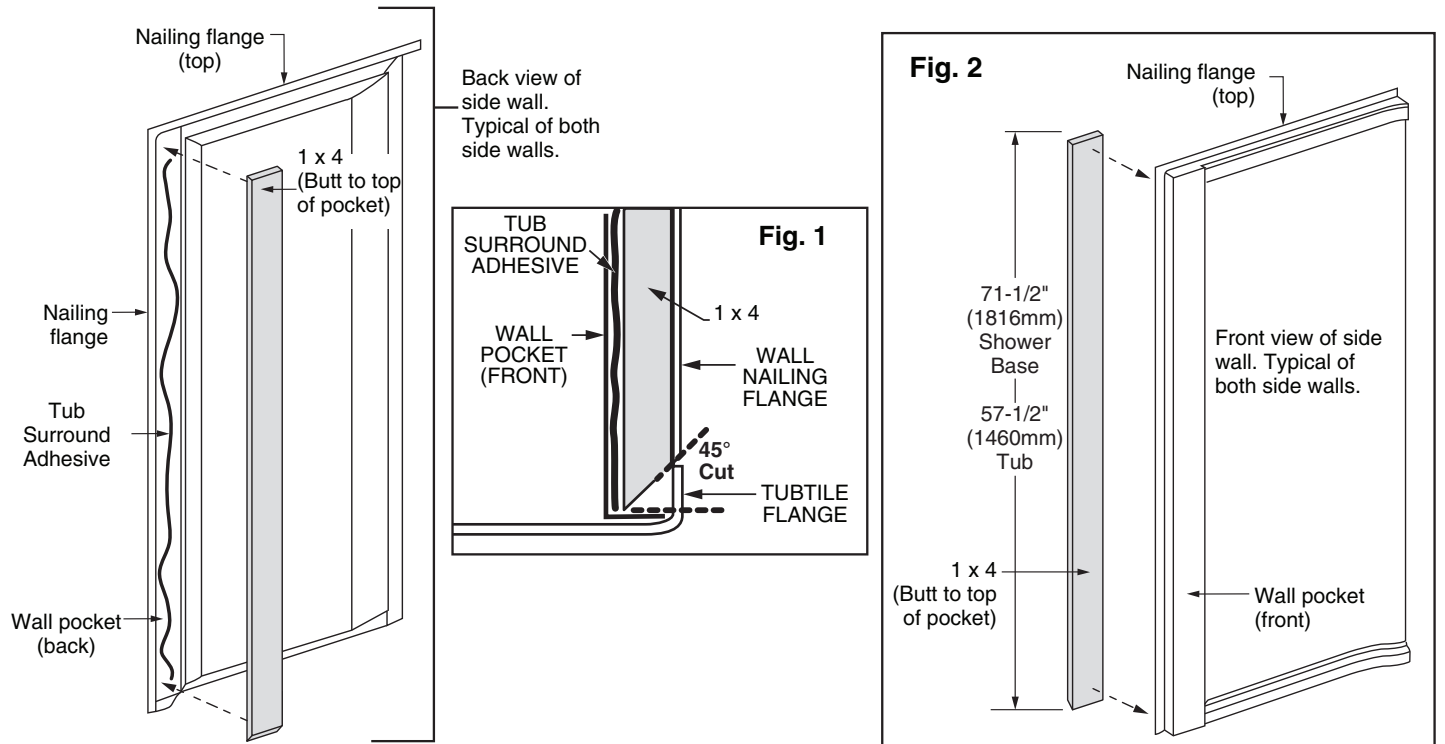
C) Rough plumbing and fittings must be installed before walls.

**NOTE:** Installation over greenboard or firewalls: If installing wall panels over greenboard and/or firewall material, and not directly on the studs, your alcove dimensions must consider the thickness of this material. Measure from the inside of the finished walls.

**1 INSTALLATION PROCEDURES:**

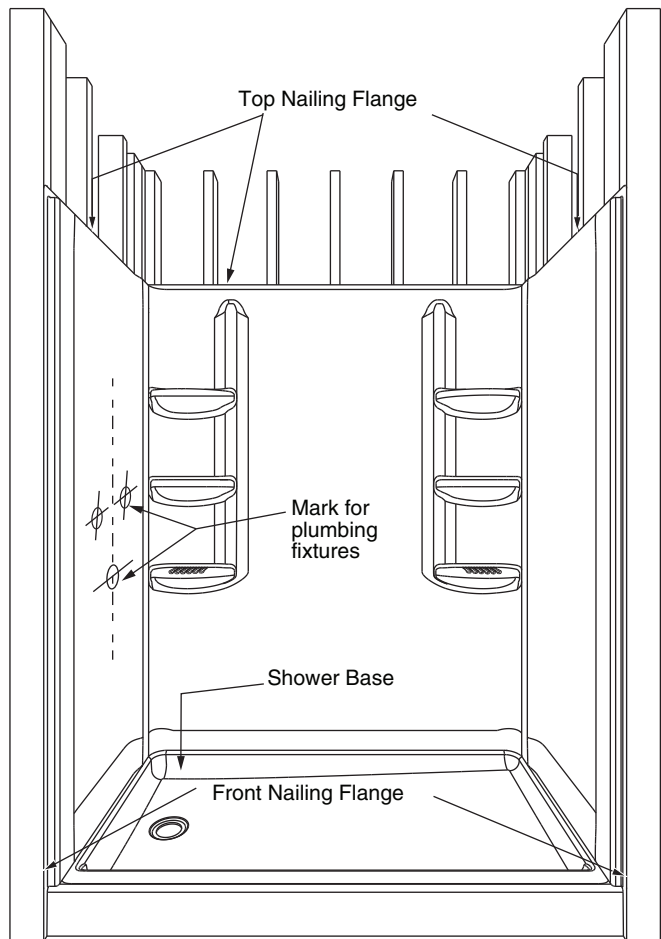
If you plan to install a shower door, a 1 x 4 must be installed in the pocket on the back of both side walls.

- A) Cut one end of the 1 x 4 to 45° as shown. (Fig.1) Then cut the 1 x 4 to the length noted in (Fig. 2) for shower base or tub.
- B) Apply a bead of tub surround adhesive in the pocket of each side wall. With 45° cut end down and angle facing out, attach board butting up to the top of the pocket. Allow time to cure.



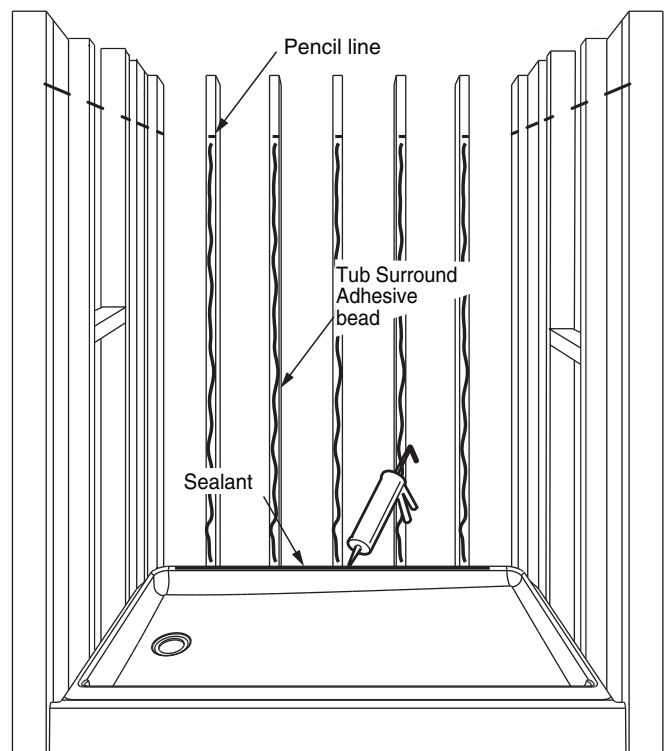
## 2

- A) Position the three panels into the alcove. Lower each panel onto the shower base or tub to ensure that the panels fit properly in the alcove.
- B) Mark the appropriate side panel (right or left) cutouts for plumbing fixtures. Refer to plumbing fixture installation instructions for hole dimensions and placement. Carefully locate, mark and cut holes using the properly sized hole saw. Attach fire retardant pad to the back of the panel per the instructions included with the pad.
- C) When satisfied with fit, mark a line across the top of the panels on each stud. Remove the panels. The marked line will help align the panels in subsequent steps.

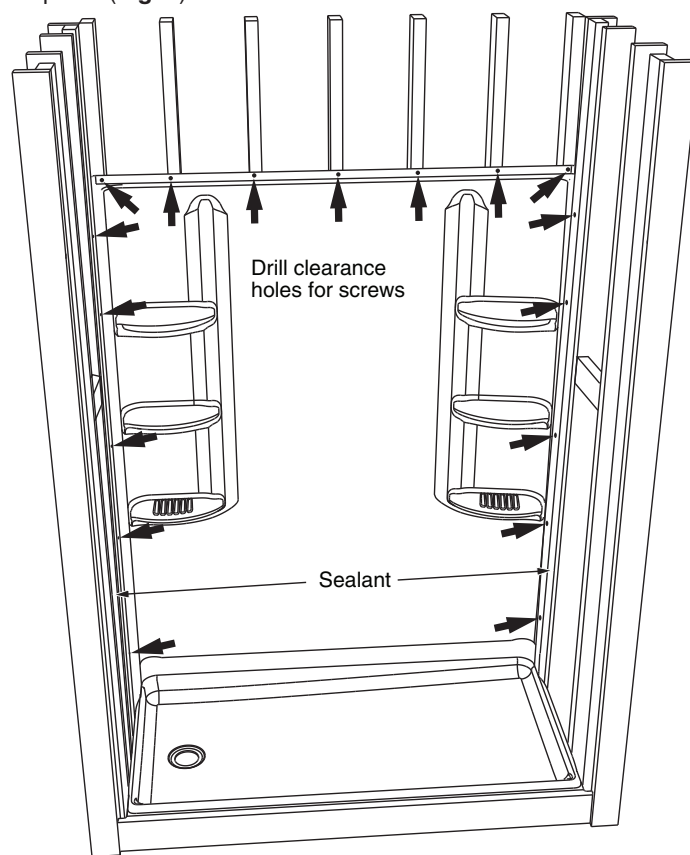
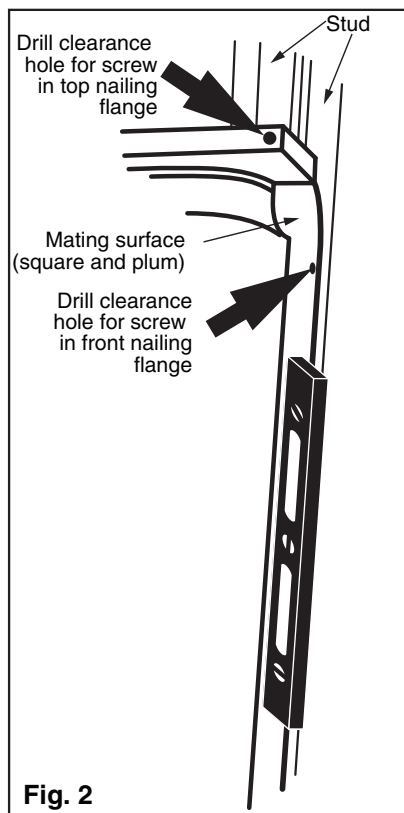


## 3

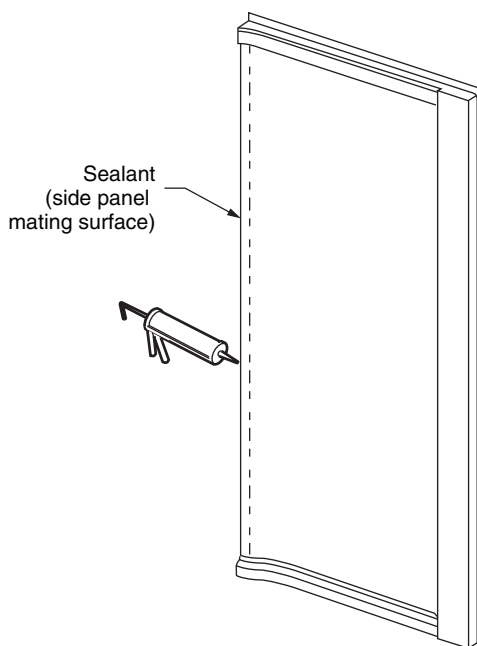
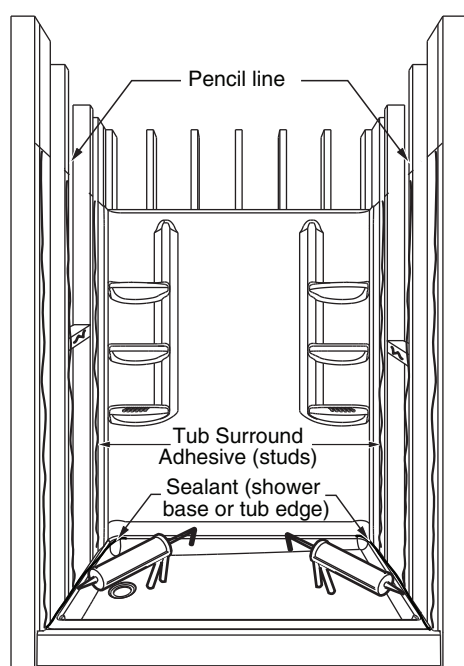
- A) Apply a bead of tub surround adhesive down each stud that will come in contact with the back panel being sure to stay below the line you marked. You do not need to apply adhesive to the corner studs.
- B) Lay a bead of sealant along shower base or tub ledge.
- C) Reposition back panel aligned with pencil line and press firmly against studs.



- 4**
- A) • Locate and drill a clearance hole in the center of the top nailing flange and centered on each stud (see arrows as shown).  
• Also drill four evenly spaced clearance holes on the front nailing flange on each side (see arrows as shown).
  - B) **Ensuring mating surface is square and plum (Fig. 2)**, install galvanized screws through each clearance hole and into the studs, securing the wall panel.
  - C) Add a bead of sealant down the vertical corner of the back panel (**Fig. 2**).



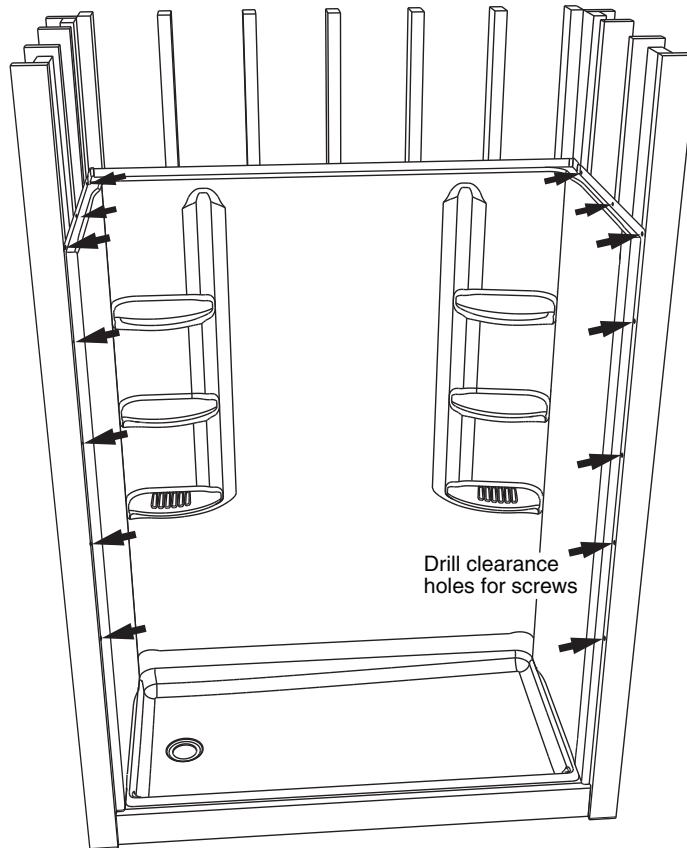
- 5**
- A) Apply a bead of tub surround adhesive down each stud that will come in contact with the side panels being sure to stay below the line previously marked.
  - B) Lay a bead of sealant along side panel mating surface and shower base or tub ledge.
  - C) Align the top nailing flange of each side panel with pencil line marked. Press firmly into place to ensure proper adhesion to studs. Check alignment with all mating surfaces and reposition if necessary.



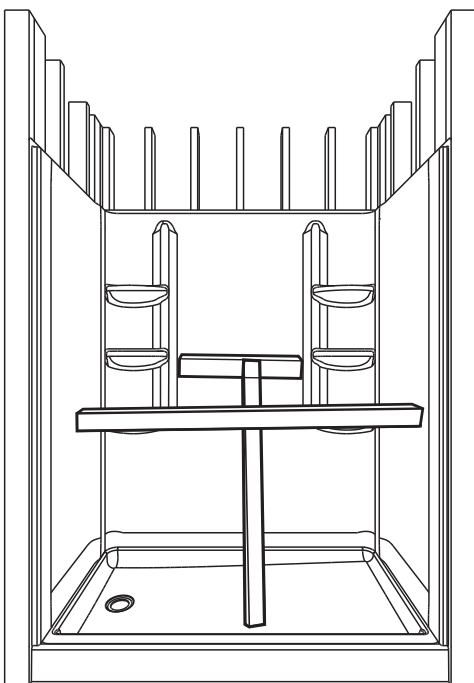
**5** Continued →

**5** Continued:

- D) • Locate and drill a clearance hole in the center of the top nailing flange and centered on each stud (see arrows as shown).  
• Also drill clearance holes in the front nailing flange on each side panel at approx. 12" intervals, centered on the flange (see arrows as shown).  
• Install galvanized screws through each hole and into the studs, securing the wall panel.



- 6** Install temporary braces to hold the center of the back and side panels tight to the studs for approximately 24 hours while adhesive sets. Add cushioning between panels and braces to prevent scratching the panels.

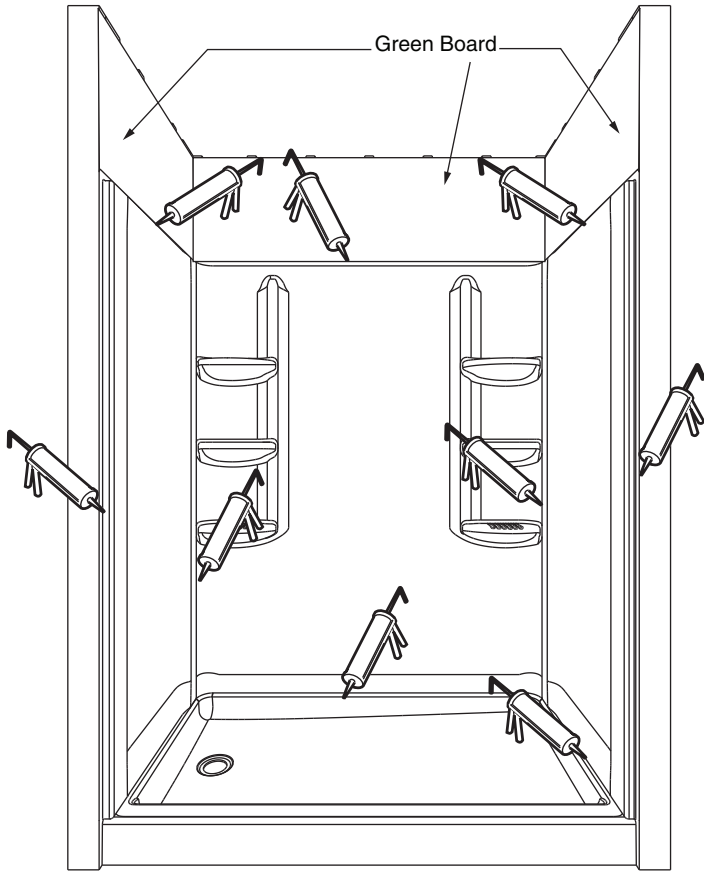


- 7** When installing greenboard, position drywall screws above the top nailing flange. If you choose to screw through the nailing flange, you MUST drill clearance holes in the flange to avoid cracking/damaging the flange.

**8**

**A)** After greenboard is installed, apply finished sealant bead to all edges and joints. Follow sealant manufacturers' recommended cure time.

**B)** Make connections to supply and drain lines.



### **POST INSTALLATION CLEAN-UP**

Remove all construction debris. Tile grout can be removed with a wooden popsicle stick or tongue depressor.

Do not use wire brushes or any other metal implement on surface.

Post installation clean-up generally can be completed using warm water and liquid dishwashing detergent.

Stubborn dirt or stains may be removed using granular Spic and Span® mixed with water.

Painter's naphtha can be used to remove excess adhesives and/or wet oil-base paint.

### **AFTERCARE and CLEANING**

**⚠ WARNING:** Cleaning products with labels that say "not suitable for use with ABS, acrylic or polystyrene" **SHOULD NOT BE USED.** Read all labels carefully.

- Excessively hot water may cause surface damage.
- **HARSH CHEMICALS SHOULD NEVER BE USED ON SHOWER WALL SURFACE.** Clean after use with a mild liquid household detergent cleaner. Do not use Lestoil, Lysol Disinfectant (spray or concentrate), or Lysol Basin, Tub and Tile Cleaner, Windex, Mr. Clean, Dow Disinfectant Bathroom Cleaner, or cleaning products in aerosol cans.
- Do not use wire brushes, knives or sharp objects to remove stains, cigarette tar deposits, or other surface blemishes.
- Abrasive cleaners or powders must not be used, since they will dull the surface. If the glossy surface loses its sheen, dulled areas or light scratches can be restored by rubbing with a white "automotive type" polishing compound and waxing with a "liquid wax."
- **Do not wax areas where you walk or stand.**
- Do not allow nail polish remover, acetone, dry cleaning fluid, paint remover or other solvents to come into contact with the surface.
- Clean the surrounding surface immediately after using caustic drain cleaners.
- Burning cigarettes will damage the surface.
- Should damage to the fixture occur, repairs can be made quickly and easily. Your distributor or builder can provide details.