

# INSTALLATION INSTRUCTIONS

## BATH AND SHOWER WALL SETS

MODELS: 2968BWT60, 2968SWT60

### BEFORE YOU BEGIN....

Local building codes vary by location. Observe all local plumbing and building codes.

**NOTE:** Remove protective plastic coating material from surface of panel before installation.

Take extra care in handling the front surfaces of the walls. Use only non-abrasive cloths to avoid scratching.

### REQUIRED TOOLS AND MATERIALS

#### TOOLS:

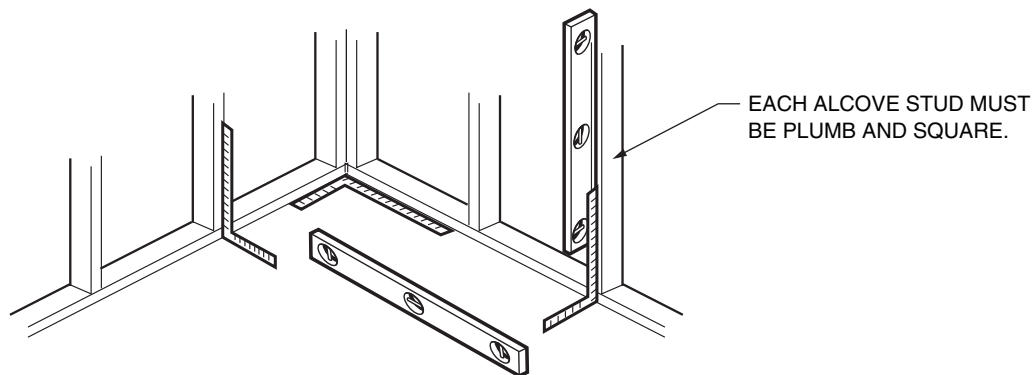
Pencil	Tape Measure
Drill	Caulking Gun
Square	Hole Saw or Jig Saw with fine tooth blade
Level	

#### MATERIALS:

Waterproof Adhesive	Safety Glasses
Tub & Tile Sealant	Masking Tape
Mineral Spirits	

**PREPARATION:** Must be installed over SHEETROCK/GREENBOARD.

**Illustration 1**



#### A) WALL SURFACE PREPARATION

**NOTE:** For best adhesion, we suggest priming walls prior to installation.

Ensure wall surface is dry, smooth, and free of dust, soap scum, mold or other contaminants. Wipe wall surfaces with a damp cloth and allow to dry.

Wall surface must be dry before panels can be applied.

Ensure that alcove is plumb and square. **See Illustration 1.**

#### B) ROUGH PLUMBING & FITTINGS MUST BE INSTALLED BEFORE WALLS

Turn off hot & cold water supplies.

Remove faucet handles, escutcheons, filler spouts and any other fixtures & fittings (e.g. towel bars, soap dishes, etc.).

#### C) IF YOU PLAN TO INSTALL A SHOWER DOOR

Follow manufacturer's instructions and prepare stud wall accordingly.

SAVE FOR FUTURE USE

# 1

## DRY FITTING THE PANELS ON THE WALL

A) Dry fit the panels starting with the rear panel first, keeping it centered, equidistant between the 2 rear corners of the wall. Use masking tape to hold panel in position. Mark a vertical line top to bottom at the corner edges of the panel on the rear wall to ensure panel is centered between the 2 corners as a reference. **See Illustration 2.**

**NOTE:** If any trimming is needed, measure and mark dimensions. Cut with a fine tooth Jig Saw. If installing in a 48" shower alcove, follow procedure below for "Installing a 48" Shower Alcove".

B) When dry fitting side panels, place the panel entrance edge at the desired location on wall while also ensuring a gap or distance no greater than 7-3/4" (197mm) exists at the panel's back corner to the rear wall. Use masking tape to hold panel in position. Mark a vertical line top to bottom on the side wall near the corner at back edge of side panel to reference later. Repeat for opposite side panel wall.

**NOTE:** Verify that the gaps at both rear corners can be covered by the corner panels by dry fitting or placing a corner panel in each corner. **See Illustrations 4 and 5.**

C) Once side panels are properly dry fitted, mark all plumbing locations where shower valves or shower heads come through the side panel. Drill holes at each location using a Hole Saw large enough to accommodate the opening but small enough to be covered by the trim plates. **See Illustration 3.**

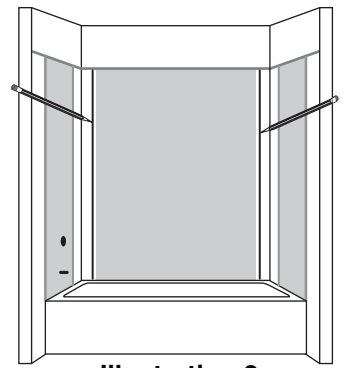


Illustration 2

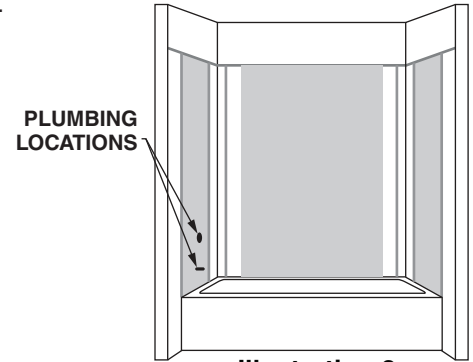


Illustration 3

## INSTALLING IN A 48" SHOWER ALCOVE

- If installing in a 48" alcove area using the Ovation Shower Wall Set, the rear panel will need to be cut or trimmed to fit.
- To accurately measure and cut the rear panel for your alcove, dry fit both corner panels squarely into the corners of the alcove and tape to hold in place. **See Illustration 4.**
- Measure the distance from raised lip of one rear corner to raised lip of opposite rear corner so the rear corners overlap the rear panel. **See Illustration 5.** This dimension is what the rear panel will be trimmed to. Ensure the dimension obtained will allow the rear panel when cut, to slide under or overlap the raised lip of each rear corner. **See Illustration 6.**
- Mark the rear panel from the dimension obtained above and cut or trim the panel using a fine toothed Jig Saw.
- Dry fit the trimmed rear panel to the wall while placing each corner panel in place, observing that the rear panel correctly fits under and overlaps the raised lip of each corner panel.
- Once the rear panel is correctly trimmed and fits in place, proceed to **Step 1B** at top of this page.

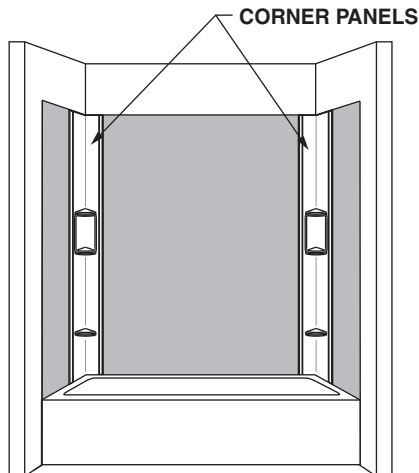


Illustration 4

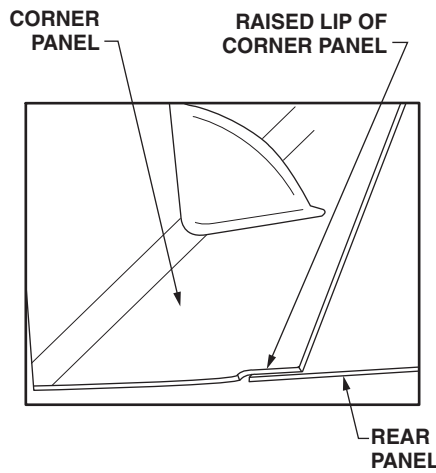


Illustration 5

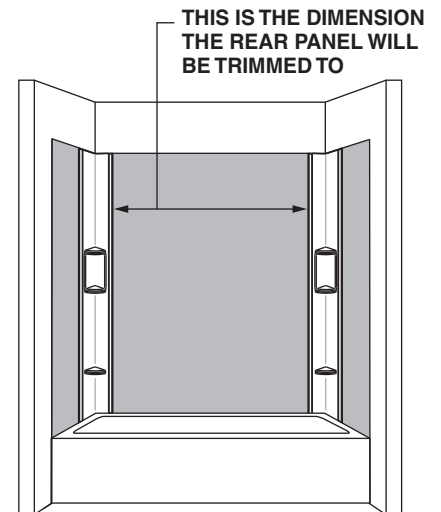


Illustration 6

## 2

### INSTALLING BACK AND SIDE WALLS

**NOTE – INSTALL ONLY ONE WALL AT A TIME AND REMOVE FILM FROM WALLS PRIOR TO INSTALLATION.**

A) Wipe all back side of panels and walls with a damp cloth to remove any dust or debris and allow to fully dry.

B) Apply adhesive in a zig-zag pattern on the wall within marked lines, keeping bead thickness to 1/8" (3mm) or less. **See Illustration 7.**

**NOTE:** Applying beads of adhesive thicker than 1/8" (3mm) may make it difficult to spread behind the panel once it is up and installed creating a ripple effect on the panel.

C) Move rear panel onto the wall keeping a space of approximately 1/8" (3mm) off of the surface of the tub deck or shower base and keeping panel between the marked lines previously drawn. Press panel firmly over entire surface to ensure firm contact of panel to adhesive on wall. **See Illustration 8.**

**NOTE:** It may be necessary to brace or support the panel against the wall until the panel stays securely in place. Place a cloth under the supports to prevent marring of the walls surface.

D) Install side panels in the same manner using the same adhesive pattern. Wipe off any excessive adhesive with mineral spirits.

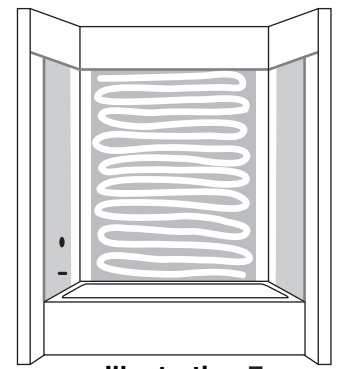


Illustration 7

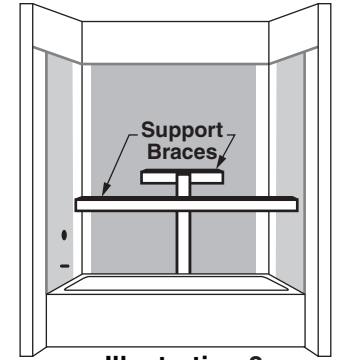


Illustration 8

## 3

### INSTALLING THE CORNER PANELS

A) Place corner panel into rear corner of shower and check for proper fit of corner panel to shower walls.

**NOTE:** Make sure corner panel is aligned right side up so that flat shelving surface is facing upward.

Ensure corner panels completely overlap both rear and side panels by at least 1/4" (6mm).

B) Apply adhesive to one rear corner at a time (**See Illustration 9**) top to bottom, side to side and on back of the corner panel (**See Illustration 10**) and place into rear corner of shower (**See Illustration 11**). Press firmly to hold in place.

**NOTE:** It may be necessary to brace or support the corner panel in position until the adhesive dries. Use cloth under any support to prevent any marring of the walls finished surface.

C) Wipe the panel down with a damp rag while continuing to apply pressure to the panel to ensure it makes complete contact.

**NOTE: WIPE ANY EXCESS ADHESIVE FROM THE PANEL WITH A DAMP RAG OR MINERAL SPIRITS.**

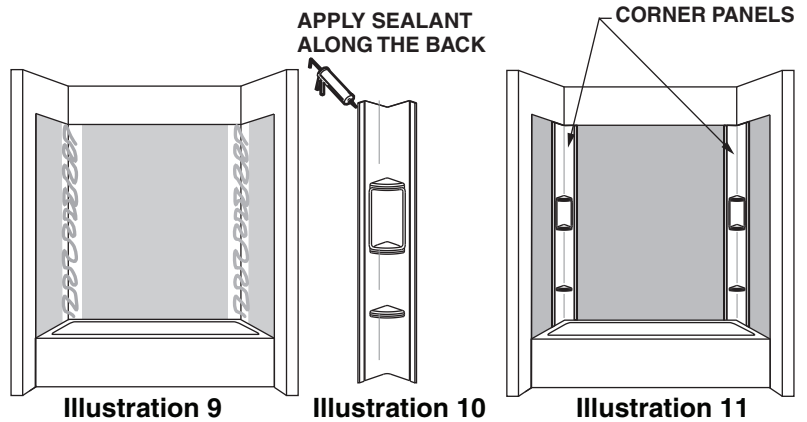


Illustration 9

Illustration 10

Illustration 11

## 4

### APPLYING SEALANT AND INSTALLING SHOWER HANDLE AND SHOWER HEAD

A) Allow 24 hours for the wall panel adhesive to dry before applying the sealant.

B) Apply a bead of sealant around all corners, outside edges of panels, corner panels and deck of tub or shower base. **See Illustration 12.**

C) Install the shower handle and shower head per the manufacturer's instructions. Be sure to apply sealant to all trim plates.

**NOTE: ALLOW 24 HOURS FOR THE SEALANT TO DRY BEFORE USE.**

Install the shower door or shower curtain rod according to the manufacturer's instructions.

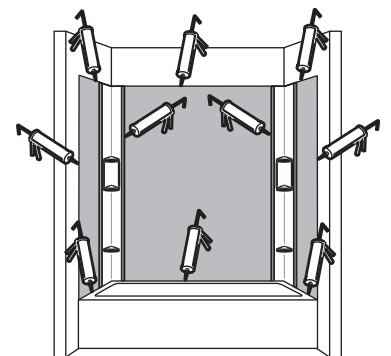


Illustration 12

## **POST INSTALLATION CLEAN-UP**

Remove all construction debris. Do not use wire brushes or any other metal implement on surface.

Post installation clean-up generally can be completed using warm water and liquid dishwashing detergent.

Painter's naphtha can be used to remove excess adhesives and/or wet oil-base paint.

## **AFTERCARE and CLEANING**

**⚠ WARNING:** Cleaning products with labels that say "not suitable for use with ABS, acrylic or polystyrene" **SHOULD NOT BE USED.** Read all labels carefully.

- **HARSH CHEMICALS SHOULD NEVER BE USED ON SHOWER WALL SURFACE.** Clean after use with a mild liquid household detergent cleaner. Do not use Lestoil, Lysol Disinfectant (spray or concentrate), or Lysol Basin, Tub and Tile Cleaner, Windex, Mr. Clean, Dow Disinfectant Bathroom Cleaner, or cleaning products in aerosol cans.
- Do not use wire brushes, knives or sharp objects to remove stains, cigarette tar deposits, or other surface blemishes.
- Abrasive cleaners or powders must not be used, since they will dull the surface. If the glossy surface loses its sheen, dulled areas or light scratches can be restored by rubbing with a white "automotive type" polishing compound and waxing with a "liquid wax."
- **Do not wax areas where you walk or stand.**
- Do not allow nail polish remover, acetone, dry cleaning fluid, paint remover or other solvents to come into contact with the surface.
- Clean the surrounding surface immediately after using caustic drain cleaners.
- Burning cigarettes will damage the surface.