

OWNERS MANUAL

Ovation Curve™ 3-piece Wall Sets

2961BWT60.011 / 2961SWT60.011 / 2961SWT48.011

INSTALLATION INSTRUCTIONS

Thank you for selecting American Standard – the benchmark of fine quality for over 150 years. To ensure this product is installed properly, please read these instructions carefully before you begin. Certain installations may require professional help.

INSTALLATION PREPARATION

- Please unpack carefully and identify all parts needed for installation by using the Box Contents as a reference. Inspect the product and report any damages or missing parts immediately to customer care by calling 855-815-0004. Follow the prompts for consumer/bathing products.

NOTE: Take extra care in handling the front surfaces of the walls. Use only non-abrasive cloths to avoid scratching.

- These Ovation Curve Walls were developed to be installed with Ovation Curve Tubs or Shower Bases and Ovation Curve Doors. If you are using a different tub, base or door, you may need additional hardware and tools to complete the installation.
- The Ovation Curve tub or shower wall dimensions are nominal and meant for standard 60" x 30" x 60" (1524 x 762 x 1524 mm), 60" x 30" x 72" (1524 x 762 x 1829 mm) or 48" x 30" x 72" (1219 x 762 x 1829 mm) alcoves. Alcove sizes may vary based on stud and wall material thickness. Please double check your measurements prior to starting your install.
- Wear protective equipment during installation to avoid injury.
- Please keep these instructions for after care and customer service details.



BEFORE YOU BEGIN

Inspect your product thoroughly before installing. Take extra care in handling surfaces of the walls and use only non-abrasive cloths to avoid scratching. Observe all local plumbing and building codes.

RECOMMENDED TOOLS AND MATERIALS

Installation steps will indicate which tools should be used with associated letter



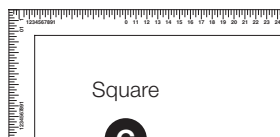
Level

A



Tape Measure

B



Square

C



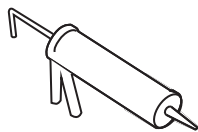
Pencil

D



Painter's
Masking Tape

E



Caulking Gun

F



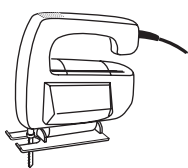
Hole Saw

G



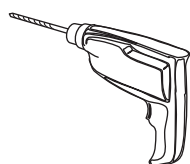
Safety
Equipment

H



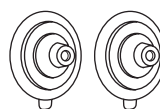
Jig Saw with fine
tooth blade

I



Drill

J



Suction Cups - optional

K

SOLD SEPARATELY

x8 Tubes Waterproof Instant
Grab Construction Adhesive
x2 Tubes Tub & Tile Sealant
x3 4x8' x 7/16" thick OSB
Boards
GRK washer head screws,
approx. 7/16" diameter and
rated for outdoor use

INSTALLATION INSTRUCTIONS

IMPORTANT GENERAL INFORMATION

This unit is best installed by two people.

Cover drain with tape prior to installation to prevent the loss of small parts.

Unpack your unit carefully and inspect for freight damage. Lay out and identify all parts using Box Contents as a reference. Before discarding the carton check to see that no small hardware parts have fallen to the bottom of the box. If any parts are damaged or missing refer to the description noted in the instructions when inquiring about replacements.

Be sure to wear safety glasses whenever drilling or cutting. When drilling holes in ceramic tile or marble use a center punch and hammer to carefully break the glazed surface. This will prevent skidding when drilling.

BOX CONTENTS

1 Left Side Panel

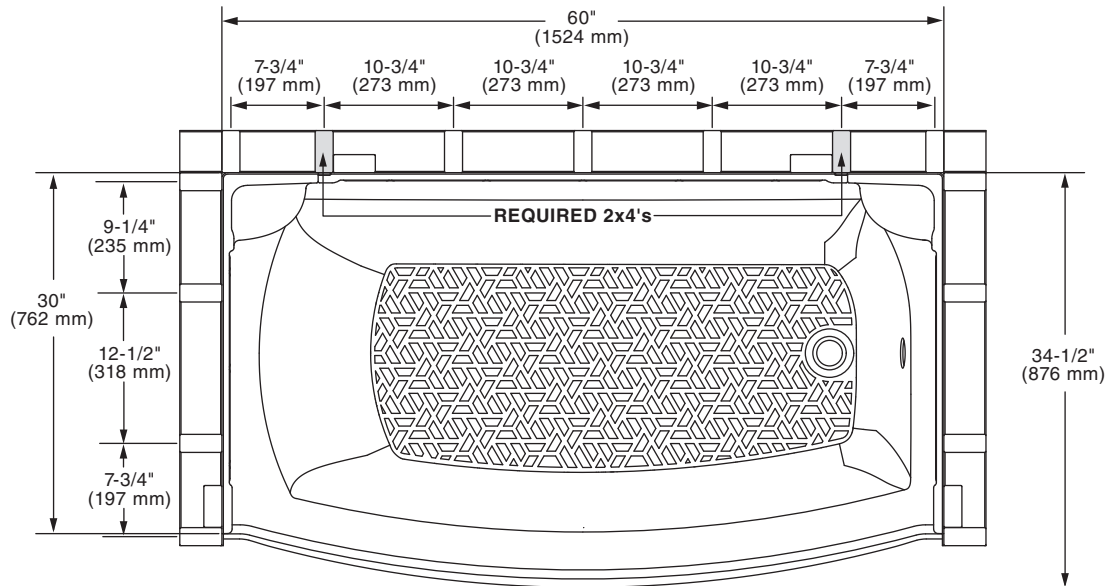
1 Right Side Panel

1 Rear Wall Panel

2 Extruded Wall Connectors

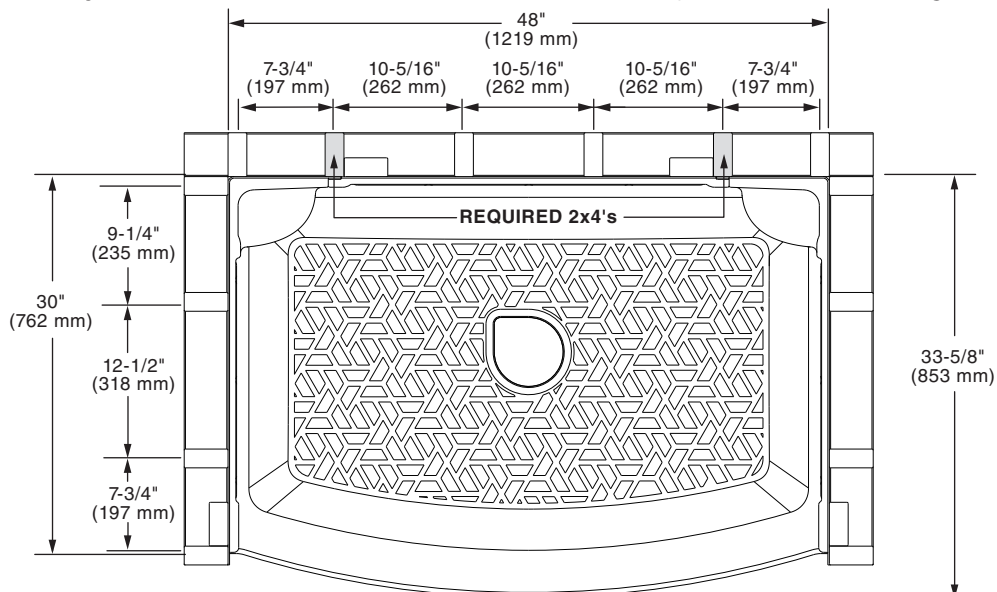
ALCOVE STUD INSTALLATION

NOTE: Shower walls must be installed over a combination of studs and OSB board.



Alcove Stud Installation for 60" Tub or Shower Base

Refer to Alcove Stud Installation illustration above for recommended 2x4 location. **Shaded 2x4's are required to be precisely located as shown.** Ensure all studs are level and plumb. Fir-out studding if necessary.



Alcove Stud Installation for 48" Shower Base

Refer to Alcove Stud Installation illustration above for recommended 2x4 location. **Shaded 2x4's are required to be precisely located as shown.** Ensure all studs are level and plumb. Fir-out studding if necessary.

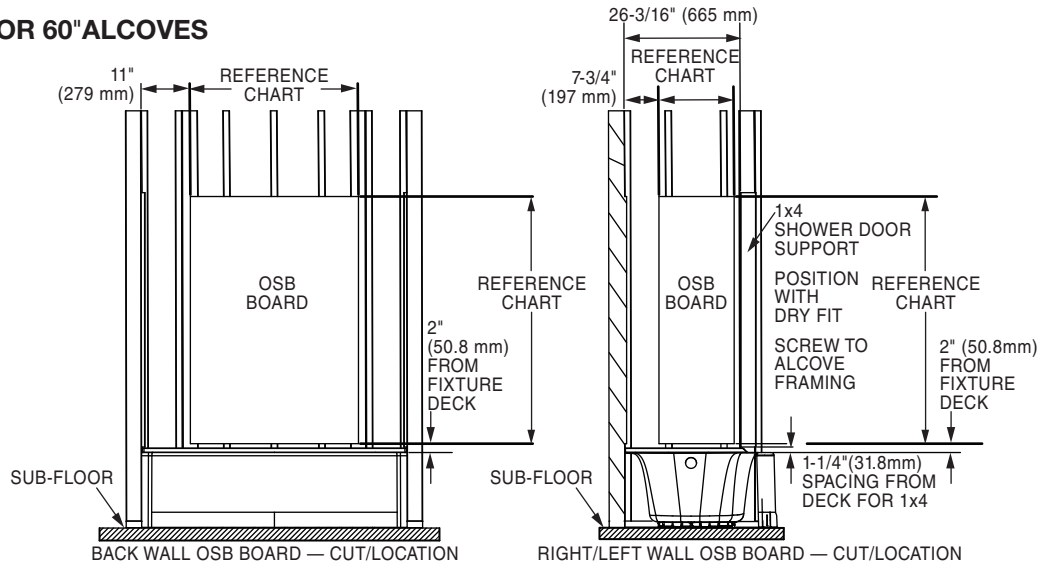
- 1a.** Fir-out studding if necessary before installing OSB board to provide correct alcove opening for panels. Ensure alcove is plumb and square.
- 1b.** The installation and positioning of additional studs to the alcove area will be necessary to provide proper support for the installation of OSB Board and shower walls.

NOTE: Rough plumbing **MUST** be installed before walls.

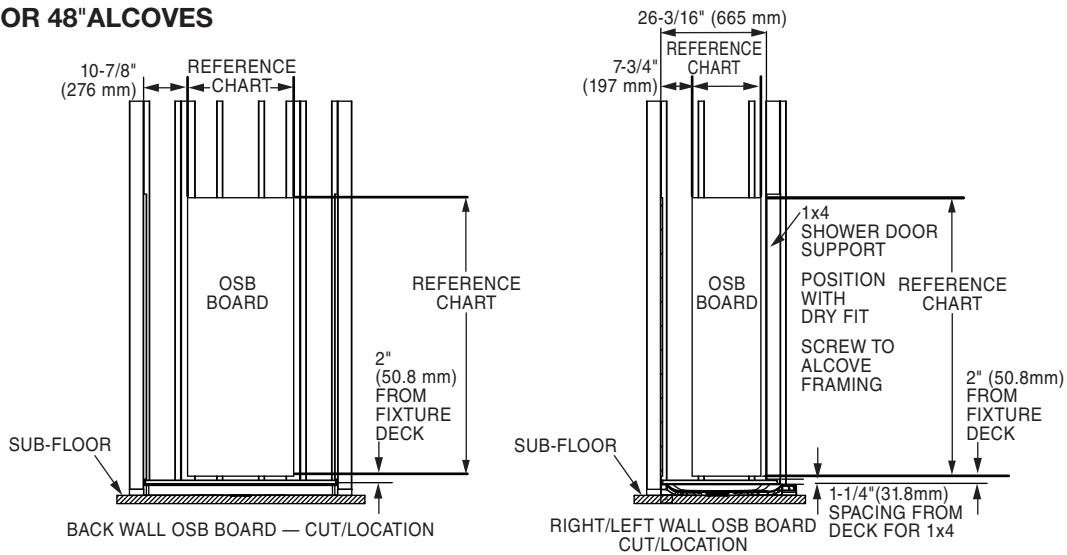
NOTE: If you plan to install a Shower Door, follow manufacturer's instructions and prepare stud wall accordingly.

OSB BOARD INSTALLATION

FOR 60" ALCOVES



FOR 48" ALCOVES

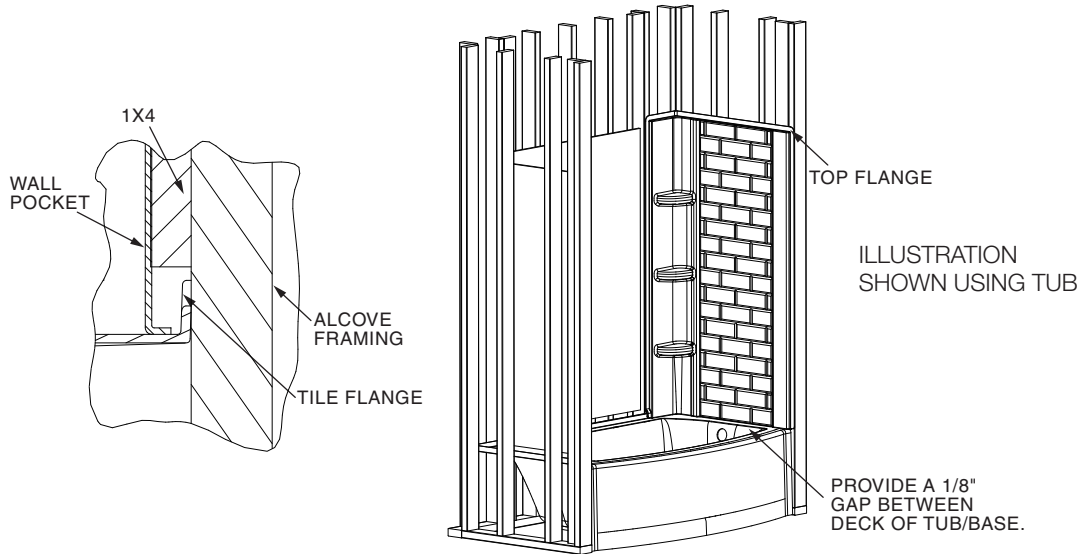


- 2a.** Cut and trim each piece of OSB board (Left/Right and Rear) according to the chart by model. Mark and cut out clearance hole for rough plumbing. The OSB is used to provide additional support for the walls and provide an area to apply adhesive for the wall panels.
- 2b.** Place each piece of OSB board in position according to illustration, keeping it 2" above the shower base or tub deck and attach into place using screws (self-drill construction screws are recommended, but standard wood screws can be used). **TIP:** Mark the location of the top and side of the OSB panels/door support on the studs to make positioning them easier. **NOTE:** Ensure screw heads are flat to the OSB surface and do not protrude.
- 2c.** If installing a shower door, provide additional support using a 1x4" keeping it 1-1/4" (31.8 mm) off the deck of the shower base or tub and screw into alcove framing. (ref. illustration)

OSB Wall Panels Only			
Model	Side Walls	Back Wall	1x4 Door Support, PINE, not OSB
2961BWT60	17" x 55-7/8" (432 x 1419 mm)	38" x 55-7/8" (965 x 1419 mm)	57-1/4" (1461 mm)
2961SWT60	17" x 68-7/8" (432 x 1749 mm)	38" x 68-7/8" (965 x 1749 mm)	70-1/2" (1791 mm)
2961SWT48	17" x 68-7/8" (432 x 1749 mm)	26-1/4" x 68-7/8" (667 x 1749 mm)	70-1/2" (1791 mm)

3

DRY FITTING SIDE WALLS



- 3a.** Place Side Wall into position in the alcove until corner is correctly in place, fitting squarely on top of shower base or tub with approximately a 1/8" gap. **TIP:** Can use paint mixing paddle as spacers for this. Check the vertical edges of the panel with a level that they are plumb.
- 3b.** Starting with the Side Panel plumbed for fittings, mark all plumbing locations where shower valves or shower heads come through the Side Panel. Place tape over the area to be drilled to protect panel surface finish and drill holes at each location using hole saws large enough to accommodate the opening but small enough to be covered by the trim plates.
- 3c.** Once correctly in position and plumb, drill 11/64" pilot holes in the top flange and use 1 or 2 screws to temporarily hold the wall panel in place. **TIP:** After drilling clearance hole through the wall flange drill a pilot hole for wood screw. This will prevent the screw from following wood grain and pulling wall out of alignment. Leave the corner of the Wall Panel free floating for the next steps. Dry fit the second Side Wall Panel in the same manner.

4

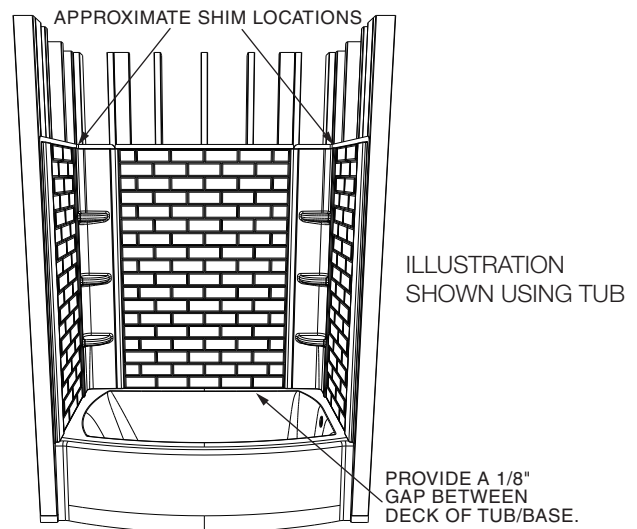
DRY FITTING REAR WALL

Once both Left & Right Side Wall Panels are correctly dry fitted, the Rear Wall Panel can be dry fitted.

NOTE: Long Extrusions will not be installed until after trial/dry fit.

- 4a.** Place the Rear Wall Panel between the Left and Right Side Panels. Check that there is no gap between the Rear and Side Wall Panels. If there is a gap between either Side Wall Panel and the Rear Wall Panel or the Rear Wall Panel does not fit between the Side Wall Panels, it will be necessary to re-adjust the Side Panel(s) to ensure the proper fit.

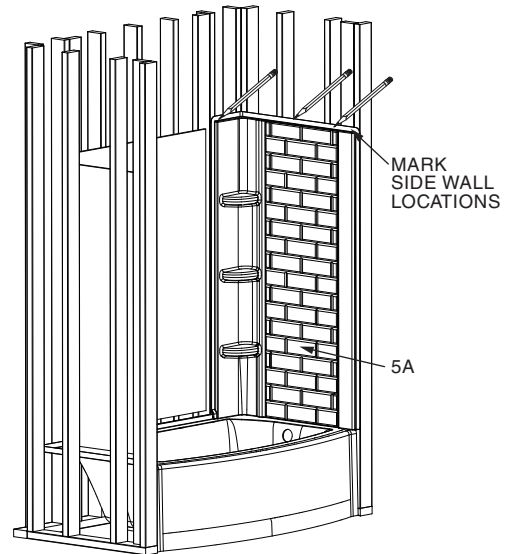
NOTE: Add shims behind panel flange if necessary to fill in any gaps or spaces. Prepare shims as needed for the Side Walls to be used for final installation.



5

FINAL DRY FIT

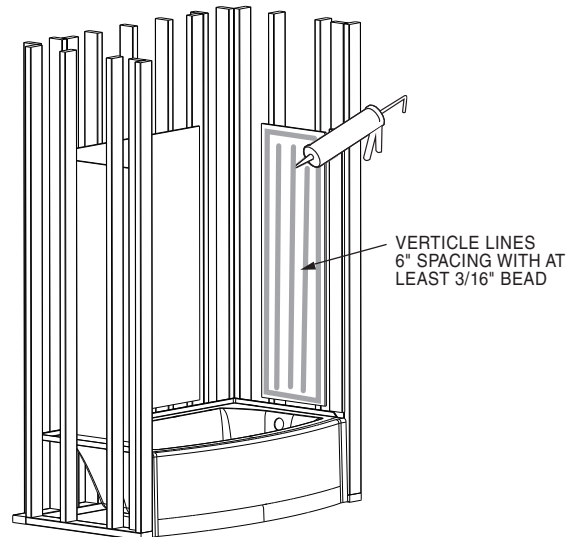
- 5a. Once all the panels are dry fitted correctly in place with no gaps, secure the bottom of each side panel to the tub/base with tape.
- 5b. Remove the Rear Wall Panel and mark both Left and Right Wall Panel locations, top and bottom, so when the Side Panels are removed for the addition of adhesive on the OSB board, the panels can be returned back to the same locations.
- 5c. Unscrew and remove both Left and Right Side Panels.



6

APPLICATION OF ADHESIVE, SIDE PANELS

- 6a. Starting with either Left or Right Side Panel, apply adhesive with at least $\frac{3}{16}$ " bead around the outer edges of the OSB board and in vertical lines with 6" spacings as illustrated. **NOTE:** Each Side Panel will use approximately 2 tubes of adhesive; if any remains after completing the application pattern, apply remaining amounts on OSB in dollops until tubes are empty.
- 6b. Install the Side Panel back into the previously marked position from step 5, check for plumb and screw panel back in place.
- 6c. Press on the outside surface of the panel in the area where the OSB board and adhesive is applied to ensure good contact of the adhesive to the inside of the Side Wall Panel. Install the opposite Side Panel in the same manner.



INSTALLATION OF EXTRUDED WALL CONNECTORS

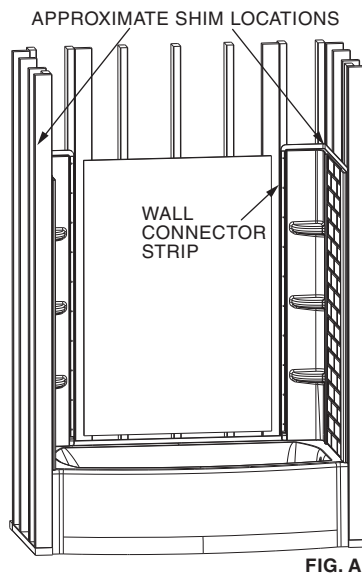


FIG. A

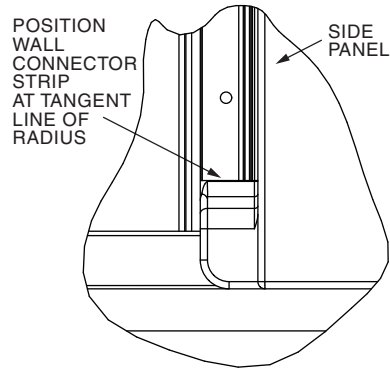


FIG. B
WALL CONNECTOR PLACEMENT

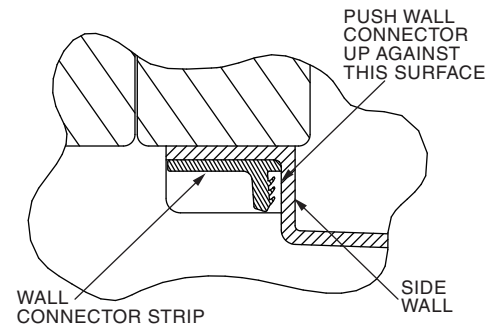
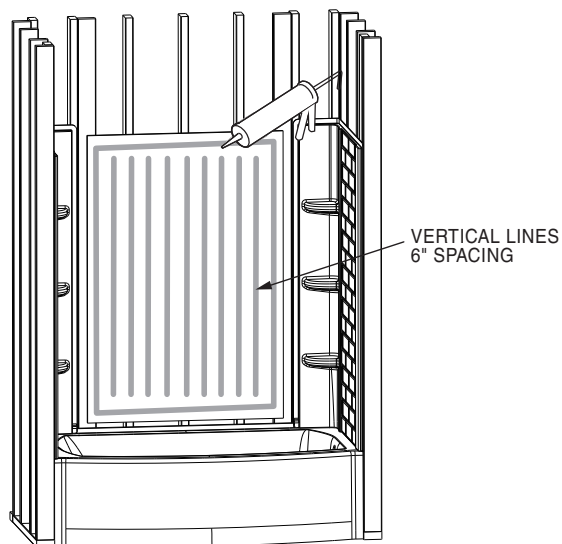


FIG. C
CUTAWAY VIEW LOOKING
DOWN FROM TOP

- 7a.** Remove one of the Extruded Wall Connectors and place onto the inside edge of one of the Side Wall Panels as illustrated (Fig. A). **Note:** Ensure the Wall Connector installs and fits correctly as illustrated (Fig. B & C). Butt the barbed side of the Wall Connector against the Side Wall surface. Use tape to hold Wall Connector in place, then pre-drill the wall panel flange using an 1 1/64" drill bit through each pre-drilled hole of the Wall Connector. **Note:** It is highly recommended that you drill a pilot hole for each screw as well to prevent connector from shifting.
- 7b.** Secure Panel and Wall Connector using GRK Cabinet screws® through each hole. GRK screw preferred. If using other type of screw ensure it has a washer head of approximately 7/16" diameter and rated for exterior wet locations use. **Note:** It is not recommended to use a powered drill for the last few turns of the screw; use a hand screwdriver instead or possible distortion of the Extruded Wall Connector may exist, making inserting the Rear Wall Panel difficult. Install the second Wall Connector in the same manner on the opposite Side Panel.
- 7c.** Once both Wall Connectors are securely screwed in place, complete the dry fit process of the Rear Wall Panel to the Side Wall Panels. Hold Rear Wall Panel up in position without pushing side into Wall Connectors and check that it fits the same as during the dry-fit stage. Check that the Rear Wall Panel fits correctly into the Extruded Wall Connectors with no gaps. **Note:** Applying a small amount of water to the joint of the Wall Connector will make inserting the Rear Wall Panel easier to do.

8

APPLICATION OF ADHESIVE, REAR PANEL

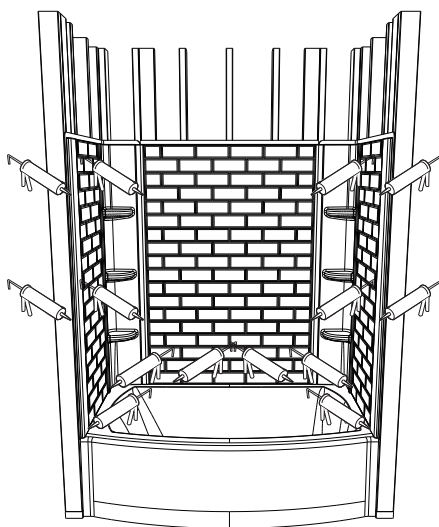


Once all panels are correctly in position, remove the Rear Wall Panel and apply adhesive on the rear OSB board around the outer edges in vertical lines with 6" spacings as illustrated. **NOTE:** Rear Wall Panel will use approximately 4 tubes of adhesive; if some remains after completing the application pattern, apply remaining amounts on OSB in dollops until all tubes are empty. Reinstall the Rear Wall Panel back into position and snap into place over the Side Wall Panels. When correctly snapped into position, screw Rear Panel in place on the top flange area into each stud using exterior rated wood screws.

NOTE: It may be necessary to apply bracing to the wall areas where the walls contact the adhesive to ensure good contact. Wait 24 hours before applying sealant to joint areas as noted in step 9 below.

9

APPLICATION OF SEALANT



After waiting 24 hours for adhesive to cure from step 8, remove any bracing that may have been installed and apply sealant to all areas as illustrated. Allow 24 hours to cure before using.

American Standard

POST INSTALLATION CLEAN-UP

Remove all construction debris. Install any accessories, shelves or doors according to manufacturer's installation instructions.

Post installation clean-up can be completed using 50/50 mixture of isopropyl alcohol and water.

AFTERCARE AND CLEANING

⚠ WARNING: Cleaning products with labels that say "not suitable for use with ABS, acrylic or polystyrene" SHOULD NOT BE USED. Read all labels carefully.

Clean shower walls with warm soapy water and soft sponge. For stubborn stains, use a 50/50 mix of isopropyl alcohol and water.

HARSH CHEMICALS SHOULD NEVER BE USED ON SHOWER WALL SURFACE. Clean after use with a mild liquid household detergent cleaner. **Do not use** Lestoil®, Lysol® Disinfectant (spray or concentrate), or Lysol® Basin, Tub and Tile Cleaner, Windex®, Mr. Clean®, Dow® Disinfectant Bathroom Cleaner, or cleaning products in aerosol cans.

Do not use wire brushes, knives or sharp objects to remove stains or other surface blemishes.

Abrasive cleaners or powders should not be used as they will dull the surface.

Do not allow nail polish remover, acetone, paint remover or other solvents to come into contact with the surface.

Spic And Span® Is A Registered Trademark Of The Spic And Span Company

MANUEL DU PROPRIÉTAIRE

Ensemble mural Ovation Curve^{MC} 3 pièces

2961BWT60.011 / 2961SWT60.011 / 2961SWT48.011

CONSIGNES D'INSTALLATION

Merci d'avoir choisi American Standard, la référence en matière de qualité supérieure depuis plus de 150 ans. Pour vous assurer de l'installation adéquate de ce produit, veuillez lire ces consignes avant de commencer. Certaines installations peuvent nécessiter l'aide d'un professionnel. Assurez-vous que votre installation respecte les codes locaux.

Les murs de douche Ovation Curve d'American Standard sont conçus pour être installés avec la base de douche ou une baignoire Ovation Curve d'American Standard.

PRÉPARATION DE L'INSTALLATION

- Veuillez déballer le produit avec précaution et identifier toutes les pièces requises pour l'installation en utilisant la page Contenu de la boîte. Inspectez le produit et signalez immédiatement tout dommage ou toute pièce manquante au service à la clientèle en appelant au 855-836-9615. Suivez les options pour les clients/baignoires. Les codes locaux du bâtiment varient selon l'endroit où vous vous trouvez. Respectez tous les codes locaux de plomberie et du bâtiment.

REMARQUE : Soyez particulièrement vigilant en manipulant les surfaces avant des parois. Utilisez seulement des chiffons non abrasifs pour éviter les égratignures.

- Ces murs Ovation Curve ont été conçus pour être installés avec une baignoire ou base de douche Ovation Curve et des portes Ovation Curve. Si vous utilisez une autre baignoire, une autre base ou une autre porte, vous aurez peut-être besoin de matériel et d'outils supplémentaires pour terminer l'installation.
- Les dimensions des murs de la baignoire ou de la douche Ovation Curve sont nominales et destinées aux modèles standard de 60 po x 30 po x 60 po (1524 x 762 x 1524 mm), 60 po x 30 po x 72 po (1524 x 762 x 1829 mm) ou 48 po x 30 po x 72 po (1524 x 762 x 1829 mm). Les dimensions des alcôves peuvent varier en fonction de l'épaisseur des montants et du matériau des murs. Veuillez vérifier vos mesures avant de commencer l'installation.
- Utilisez de l'équipement de protection durant l'installation pour éviter les blessures.
- Veuillez conserver ces consignes pour les détails sur l'entretien et le service à la clientèle.



AVANT DE COMMENCER

Inspectez attentivement votre produit avant de commencer. Soyez particulièrement vigilant en manipulant les surfaces de les murs de douche et utilisez seulement des chiffons non abrasifs pour éviter les égratignures. Respectez tous les codes locaux de plomberie et du bâtiment.

OUTILS ET MATÉRIEL RECOMMANDÉS

Les outils à utiliser seront indiqués par la lettre correspondante à chacune des étapes de l'installation.



Niveau

A



Ruban à mesurer

B



Équerre

C



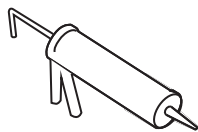
Crayon

D



Ruban masque pour peintres

E



Pistolet de calfeutrage

F



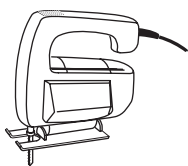
Scie cloche

G



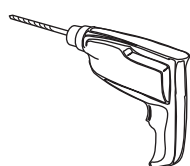
Lunettes de sécurité

H



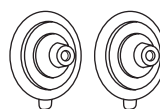
Scie sauteuse avec lame à dents fines

I



Perceuse

J



Ventouses – facultatif

K

VENDUES SÉPARÉMENT

x8 tubes d'adhésif instantané étanche pour construction
x2 tubes de scellant pour baignoire et carreaux

x3 planches d'OSB de 4x8 pi x 7/16 po d'épaisseur

Vis à tête cylindrique GRK, d'un diamètre d'environ 7/16 po, conçues pour une utilisation extérieure.

CONSIGNES D'INSTALLATION

RENSEIGNEMENTS GÉNÉRAUX IMPORTANTS

Cette unité est mieux installée par deux personnes.

Couvrez le renvoi avec du ruban adhésif avant l'installation pour éviter de perdre des petites pièces..

Déballiez votre produit avec soin et vérifiez qu'il n'a pas été endommagé par le transport. Étalez et identifiez toutes les pièces au moyen de la page Contenu de la boîte. Avant de jeter le carton, assurez-vous qu'aucune petite pièce n'est tombée au fond de la boîte. Si une pièce est endommagée ou manquante, reportez-vous à la description figurant dans les consignes lorsque vous vous renseignez sur les pièces de rechange.

N'oubliez pas de porter des lunettes de protection lorsque vous percez ou coupez. Lorsque vous percez des trous dans les tuiles de céramique ou de marbre, utilisez un pointeau centreur et un marteau pour briser doucement la surface vernissée. Ainsi, la perceuse ne glissera pas lorsque vous percez.

CONTENU DE LA BOÎTE

1 panneau latéral gauche

1 panneau latéral droit

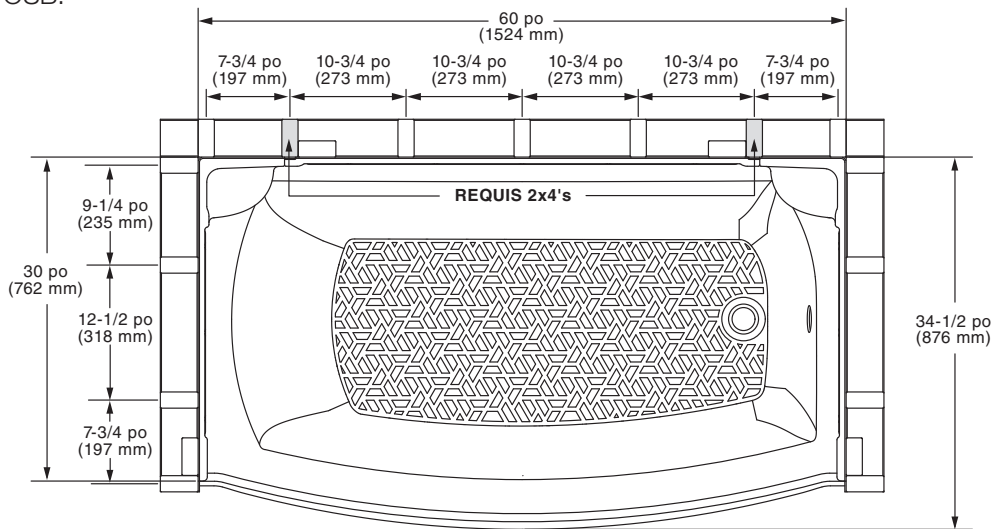
1 panneau arrière

2 connecteurs muraux extrudés

1

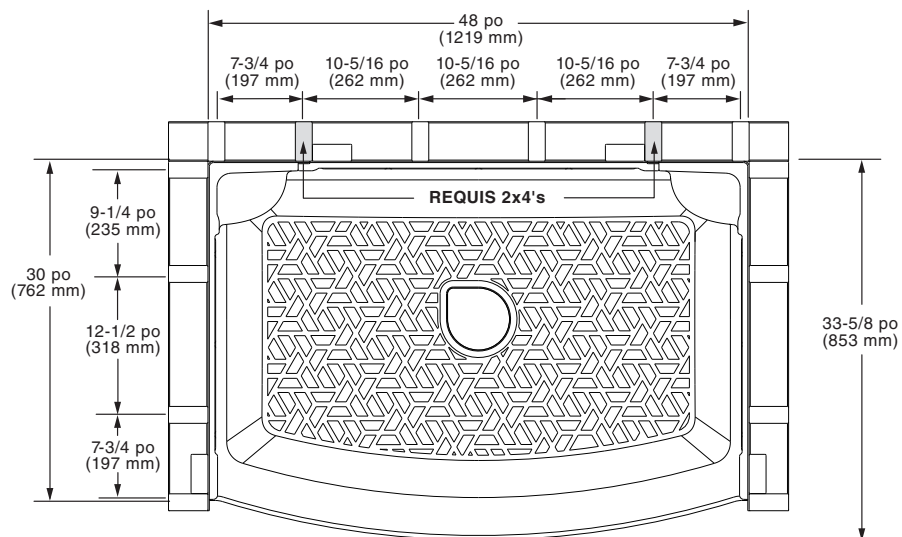
INSTALLATION DES MONTANTS POUR ALCÔVES

REMARQUE : Les murs de douche doivent être installés sur une combinaison de montants et de panneaux OSB.



Installation de montants dans l'alcôve pour une baignoire ou une base de douche de 60 pouces

Voir l'illustration de l'installation des montants de l'alcôve ci-dessus pour connaître l'emplacement recommandé des 2x4. Les 2x4 ombragés doivent être placés précisément comme indiqué. Assurez-vous que tous les montants sont de niveau et d'aplomb. Découpez les montants si nécessaire.



Installation de montants dans l'alcôve pour une baignoire ou une base de douche de 48 pouces

Voir l'illustration de l'installation des montants de l'alcôve ci-dessus pour connaître l'emplacement recommandé des 2x4. Les 2x4 ombragés doivent être placés précisément comme indiqué. Assurez-vous que tous les montants sont de niveau et d'aplomb. Découpez les montants si nécessaire.

- 1a.** Ajustez les montants au besoin avant d'installer les panneaux OSB pour obtenir la bonne ouverture d'alcôve pour les panneaux. Assurez-vous que l'alcôve soit droite et dans le bon angle.
- 1b.** L'installation et le positionnement de montants supplémentaires dans la zone de l'alcôve seront nécessaires pour fournir un support adéquat pour l'installation des panneaux OSB et des murs de la douche.

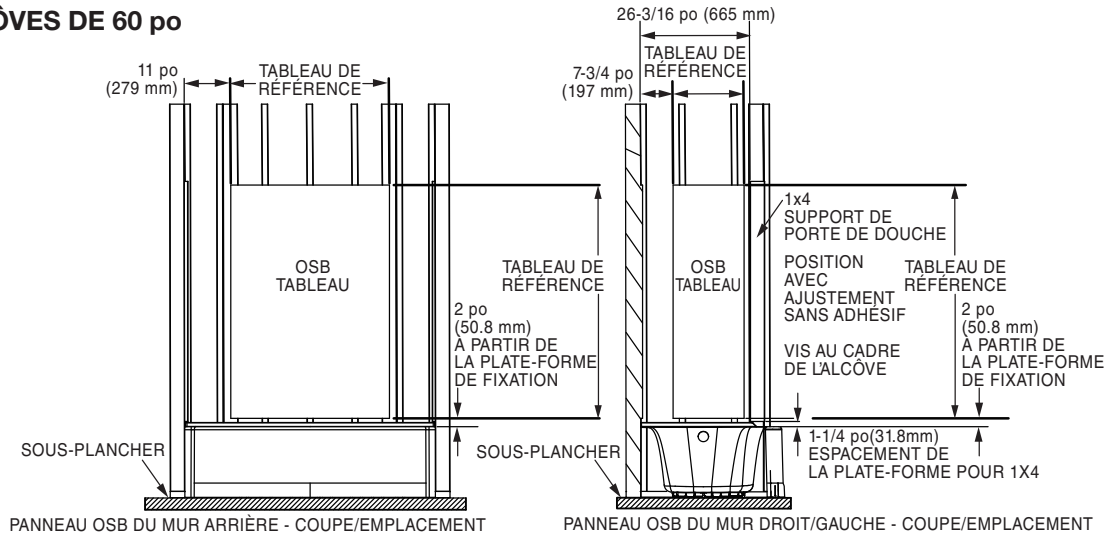
REMARQUE : La plomberie et les raccords DOIVENT être installés avant les murs.

REMARQUE : Si vous prévoyez installer une porte de douche, suivez les instructions du fabricant et préparez la cloison lattée et plâtrée selon ces instructions.

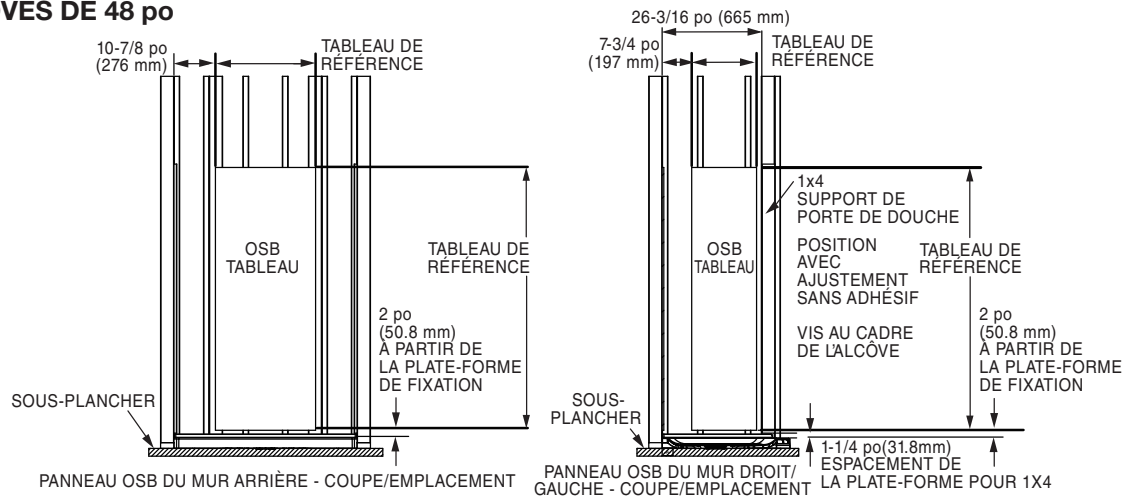
American Standard

INSTALLATION DES PANNEAUX OSB

POUR ALCÔVES DE 60 po



POUR ALCÔVES DE 48 po

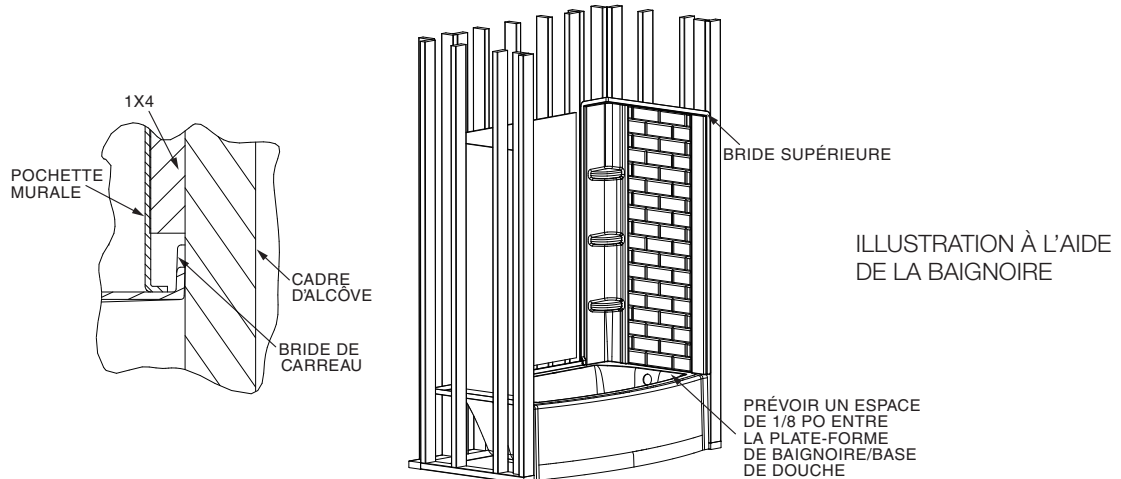


- 2a.** Coupez et taillez chaque panneau OSB (gauche/droit et arrière) selon le tableau par modèle. Marquez et découpez le trou de dégagement pour la plomberie. L'OSB est utilisé pour fournir un support supplémentaire aux murs, ainsi qu'une zone pour appliquer la colle pour les panneaux muraux.
- 2b.** Placez chaque panneau OSB conformément à l'illustration, en le maintenant à 2 po au-dessus de la base de la douche ou de la plate-forme de la baignoire, et fixez-le en place à l'aide de vis (les vis de construction autoperceuses sont recommandées, mais des vis à bois standard peuvent être utilisées). **CONSEIL :** Marquez l'emplacement du haut et du côté des panneaux OSB/du support de porte sur les montants pour faciliter leur positionnement. **REMARQUE :** Veillez à ce que les têtes de vis soient plates sur la surface de l'OSB et ne dépassent pas.
- 2c.** Si vous installez une porte de douche, fournissez un support supplémentaire en utilisant un 1x4 po en le maintenant à 1-1/4 po (31,8 mm) de la plate-forme de la base de douche ou de la baignoire et en le vissant dans l'encadrement de l'alcôve. (voir l'illustration)

Panneaux muraux OSB uniquement			
Modèle	Murs latéraux	Mur arrière	1x4 Support de porte, PIN, pas OSB
2961BWT60	17" x 55-7/8" (432 x 1419 mm)	38" x 55-7/8" (965 x 1419 mm)	57-1/4" (1461 mm)
2961SWT60	17" x 68-7/8" (432 x 1749 mm)	38" x 68-7/8" (965 x 1749 mm)	70-1/2" (1791 mm)
2961SWT48	17" x 68-7/8" (432 x 1749 mm)	26-1/4" x 68-7/8" (667 x 1749 mm)	70-1/2" (1791 mm)

3

MONTAGE SANS ADHÉSIF DES PAROIS LATÉRALES



Placez la paroi latérale dans l'alcôve jusqu'à ce que le coin soit correctement en place, s'adaptant carrément sur le dessus de la base de douche ou de la baignoire avec un espace d'environ 1/8 po. **CONSEIL :** Vous pouvez utiliser des palettes de mélange de peinture comme entretoises pour y parvenir. Vérifiez que les bords verticaux du panneau sont d'aplomb à l'aide d'un niveau.

En commençant par le panneau latéral raccordé, marquez tous les emplacements de la plomberie où les valves ou les têtes de douche traversent le panneau latéral. Placez du ruban adhésif sur la zone à percer pour protéger la finition de la surface du panneau et percez des trous à chaque emplacement, au moyen d'une scie cloche, suffisamment grands pour l'ouverture, mais suffisamment petits pour être recouverts par les plaques de garniture.

Une fois le panneau correctement positionné et d'aplomb, percez des trous pilotes de 11/64 po dans la bride supérieure et utilisez 1 ou 2 vis pour maintenir temporairement le panneau mural en place. **CONSEIL :** Après avoir percé le trou de dégagement à travers la bride murale, percez un trou pilote pour la vis à bois. Cela empêchera la vis de suivre le fil du bois et de tirer le mur hors de l'alignement. Laissez le coin du panneau mural flottant pour les étapes suivantes. Posez sans utiliser d'adhésif le deuxième panneau latéral de la même manière.

4

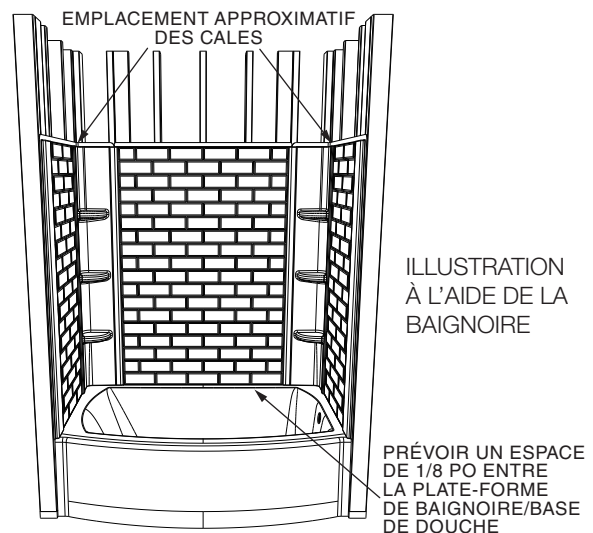
MONTAGE SANS ADHÉSIF DU MUR ARRIÈRE

Une fois les panneaux latéraux gauche et droit correctement fixés sans utiliser d'adhésif, le panneau arrière peut être fixé (sans adhésif).

REMARQUE : Les longs profilés ne seront pas installés avant d'avoir été testés et ajustés.

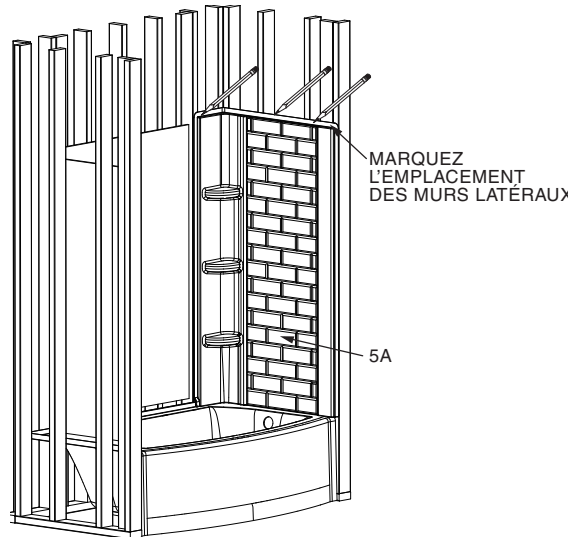
Placez le panneau mural arrière entre les panneaux latéraux gauche et droit. Vérifiez qu'il n'y a pas d'espace entre les panneaux muraux arrière et latéraux. S'il y a un espace entre l'un des panneaux latéraux et le panneau arrière ou si le panneau arrière ne s'insère pas entre les panneaux latéraux, il sera nécessaire de réajuster le ou les panneaux latéraux pour assurer un ajustement adéquat.

REMARQUE : Ajoutez des cales derrière la bride du panneau, si nécessaire, pour combler tout vide ou espace. Préparez les cales nécessaires pour les murs latéraux qui seront utilisés pour l'installation finale..



5

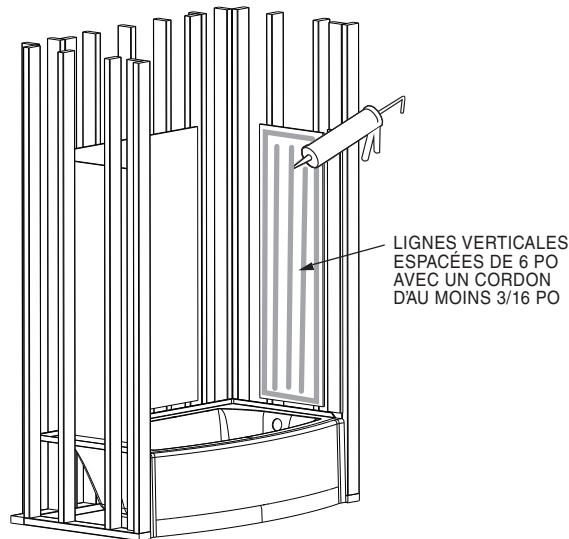
AJUSTEMENT FINAL



Une fois que tous les panneaux sont fixés sans adhésif et correctement en place, sans espace, fixez le bas de chaque panneau latéral à la baignoire/base avec du ruban adhésif, retirez le panneau mural arrière et marquez les emplacements des panneaux muraux gauche et droit, en haut et en bas, de sorte que lorsque les panneaux latéraux sont retirés pour l'ajout d'adhésif sur le panneau OSB, les panneaux peuvent être remis aux mêmes emplacements. Dévissez et retirez les panneaux latéraux gauche et droit.

6

APPLICATION D'ADHÉSIF, PANNEAUX LATÉRAUX



En commençant par le panneau latéral gauche ou droit, appliquez l'adhésif avec un cordon d'au moins 3/16 po autour des bords extérieurs du panneau OSB et en lignes verticales avec un espacement de 6 po, comme illustré. **REMARQUE :** Chaque panneau latéral utilisera environ 2 tubes de colle; s'il en reste après avoir terminé le schéma d'application, appliquez les quantités restantes sur l'OSB par petites touches jusqu'à ce que les tubes soient vides. Remplacez le panneau latéral dans la position précédemment marquée à l'étape 5, vérifiez l'aplomb et revissez le panneau en place. Appuyez sur la surface extérieure du panneau dans la zone où le panneau OSB et la colle sont appliqués pour assurer un bon contact de la colle avec l'intérieur du panneau de paroi latérale. Installez le panneau latéral opposé de la même manière.

American Standard

INSTALLATION DES CONNECTEURS MURAUX EXTRUDÉS

EMPLACEMENT APPROXIMATIF DES CALES

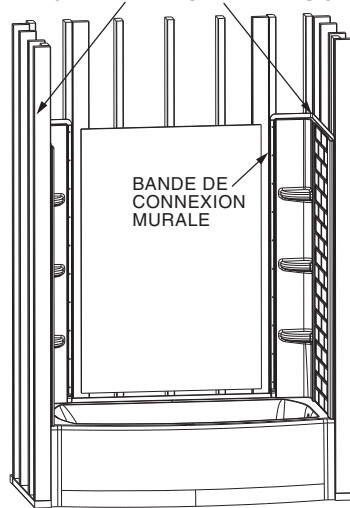


FIG. A

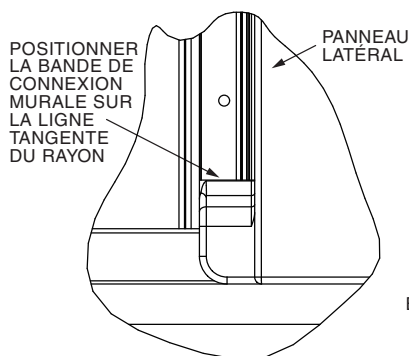


FIG. B
PLACEMENT DE CONNEXION MURALE

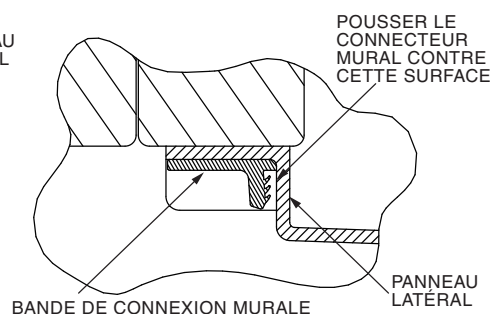
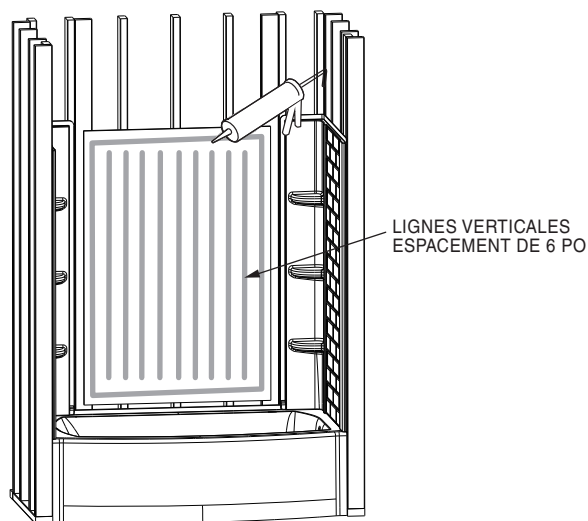


FIG. C
VUE EN COUPE DU HAUT VERS LE BAS

- 7a.** Retirez l'un des connecteurs muraux extrudés et placez-le sur le bord intérieur de l'un des panneaux muraux latéraux, comme illustré (Fig. A). **Remarque :** Assurez-vous que le connecteur mural s'installe et s'adapte correctement comme illustré (Fig. B et C). Emboîtez le côté barbelé du connecteur mural contre la surface du mur latéral. Utilisez du ruban adhésif pour maintenir le connecteur mural en place, puis pré-percez la bride du panneau mural à l'aide d'une mèche de 11/64 po à travers chaque trou pré-percé du connecteur mural. Il est fortement recommandé de percer un trou pilote pour chaque vis afin d'éviter que le connecteur ne se déplace.
- 7b.** Fixez le panneau et le connecteur mural à l'aide des vis d'armoire GRK® à travers chaque trou. Vis GRK de préférence. Si vous utilisez un autre type de vis, assurez-vous que la tête de la rondelle a un diamètre d'environ 7/16 po et qu'elle est conçue pour une utilisation dans des endroits humides extérieurs. **Remarque :** Il n'est pas recommandé d'utiliser une perceuse électrique pour les derniers tours de vis; utilisez plutôt un tournevis à main, sinon le connecteur mural extrudé risque de se déformer, ce qui rendrait difficile l'insertion du panneau mural arrière. Installez le deuxième connecteur mural de la même manière sur le panneau latéral opposé.
- 7c.** Une fois que les deux connecteurs muraux sont solidement vissés en place, terminez le processus d'ajustement du panneau arrière aux panneaux muraux latéraux. Maintenez le panneau mural arrière en position sans pousser le côté dans les connecteurs muraux et vérifiez qu'il s'adapte de la même manière que lors de la phase d'ajustement sans adhésif. Vérifiez que le panneau mural arrière s'insère correctement dans les connecteurs muraux extrudés sans laisser d'espace. **Remarque :** L'application d'une petite quantité d'eau sur le joint du connecteur mural facilitera l'insertion du panneau mural arrière.

8

APPLICATION D'ADHÉSIF, PANNEAU ARRIÈRE

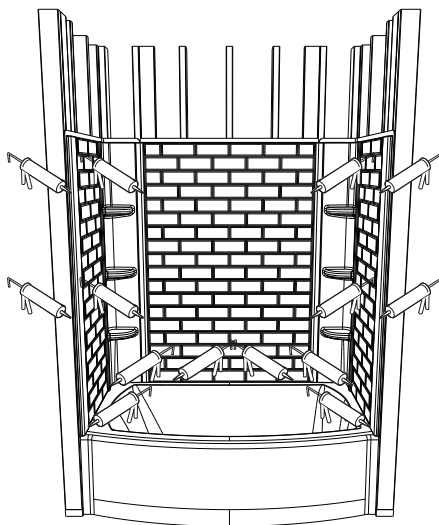


Une fois tous les panneaux correctement positionnés, retirez le panneau mural arrière et appliquez de l'adhésif sur le panneau OSB arrière autour des bords extérieurs en lignes verticales avec un espacement de 6 po comme illustré. **REMARQUE :** Le panneau arrière utilisera environ 4 tubes de colle; s'il en reste après avoir terminé le schéma d'application, appliquez les quantités restantes sur l'OSB par petites touches jusqu'à ce que les tubes soient vides. Remettez le panneau mural arrière en place et enclenchez-le sur les panneaux muraux latéraux. Une fois le panneau arrière correctement positionné, vissez-le en place sur la zone du rebord supérieur dans chaque montant à l'aide de vis à bois pour l'extérieur.

REMARQUE : Il peut être nécessaire d'appliquer des renforts aux endroits où les murs sont en contact avec l'adhésif pour assurer un bon contact. Attendez 24 heures avant d'appliquer le scellant sur les zones de joint comme indiqué à l'étape 9 ci-dessous.

9

APPLICATION DU SCELLANT



Après avoir attendu 24 heures pour le durcissement de l'adhésif de l'étape 8, retirez tout contreventement qui aurait pu être installé et appliquez le scellant sur toutes les zones comme illustré. Laissez sécher 24 heures avant utilisation.

NETTOYAGE APRÈS L'INSTALLATION

Retirez tous les débris de construction. Installez tous les accessoires, étagères ou portes, selon les consignes d'installation du fabricant..

Pour le nettoyage après installation, vous pouvez utiliser un mélange 50/50 d'eau et d'alcool isopropylique.

ENTRETIEN ET NETTOYAGE

⚠ AVERTISSEMENT: Les produits nettoyants comportant la mention «ne convient pas à l'utilisation avec ABS, acrylique ou polystyrène» NE DOIVENT PAS ÊTRE UTILISÉS. Lisez attentivement les étiquettes.

Lavez les murs de douche avec une eau chaude savonneuse et une éponge douce. Enlevez les taches tenaces avec un mélange 50/50 d'eau et d'alcool isopropylique.

N'UTILISEZ JAMAIS DE PRODUITS CHIMIQUES PUISSANTS SUR LES MURS DE DOUCHE. Nettoyer la baignoire après utilisation avec un détergent domestique doux liquide. N'utilisez pas le nettoyant Lestoi^{MD}, le désinfectant Lysol^{MD} (vaporisé ou concentré), le nettoyant pour baignoire, bassin et carreaux Lysol^{MD}, Windex^{MD}, M. Net^{MD}, désinfectant pour salle de bain Dow^{MD} ou les produits nettoyants en aérosol.

N'utilisez pas de brosse métallique, de couteaux ou tout autre objet tranchant ou pointu pour enlever une tache, les dépôts de goudron de cigarette ou tout autre défaut de surface.

N'utilisez pas de nettoyants abrasifs ou en poudre, au risque d'émailler la surface. .

Évitez tout contact entre la surface et un dissolvant pour vernis à ongles, de l'acétone, des liquides de nettoyage à sec, du décapant pour peinture ou tout autre solvantSpic And

Spic And Span^{MD} est une marque enregistrée de l'entreprise The Spic And Span Company

MANUAL DEL PROPIETARIO

Juegos de pared Ovation Curve™ de 3 piezas

2961BWT60.011 / 2961SWT60.011 / 2961SWT48.011

INSTRUCCIONES DE INSTALACIÓN

Gracias por elegir American Standard, el parámetro de excelente calidad por más de 150 años. Para asegurar la instalación adecuada de este producto, por favor lea las instrucciones con atención antes de comenzar. Algunas instalaciones pueden requerir ayuda profesional. Asimismo, asegúrese de realizar la instalación de conformidad con los códigos locales.

Las paredes de ducha Ovation Curve de American Standard están diseñadas para ser instaladas junto con las tinas y bases de ducha de American Standard.

PREPARACIÓN DE LA INSTALACIÓN

- Desembale cuidadosamente e identifique todas las piezas necesarias para la instalación usando la página de contenido de la caja como referencia. Inspeccione el producto e informe cualquier daño o pieza faltante de inmediato al servicio de atención al cliente llamando al 855-815-0004. Siga las indicaciones para el cliente/las puertas de ducha. Los códigos de construcción varían de un lugar a otro. Respete todos los códigos locales de edificación y plomería.

NOTA: Tenga mucho cuidado al manipular las superficies frontales de las paredes. Use únicamente paños no abrasivos para evitar los rayones.

- Estas paredes Ovation Curve fueron desarrolladas para ser instaladas con las tinas o bases de ducha Ovation Curve y las puertas Ovation Curve. Si utiliza una tina, base o paredes diferentes, es posible que necesite piezas de ferretería y herramientas adicionales para hacer la instalación.
- Las dimensiones de las paredes de tina y de ducha Ovation Curve son nominales y están pensadas para alcobas estándar de 60" x 30" x 60" (1524 x 762 x 1524 mm), 60" x 30" x 72" (1524 x 762 x 1829 mm) o 48" x 30" x 72" (1219 x 762 x 1829 mm). Los tamaños de alcoba pueden variar según el espesor de los montantes y del material de la pared. Corrobore las medidas antes de comenzar la instalación.
- Use equipo de protección durante la instalación para evitar lesiones.
- Conserve estas instrucciones para poder consultar la información de cuidado del producto y de atención al cliente.



ANTES DE COMENZAR

Inspeccione el producto bien antes de la instalación. Sea sumamente cuidadoso al trabajar con las superficies de la superficies de la pared y solo use paños no abrasivos para evitar rayones. Respete todos los códigos locales de edificación y plomería.

HERRAMIENTAS Y MATERIALES RECOMENDADOS

Los pasos de instalación le indicarán qué herramientas deben utilizarse con la letra asociada



Nivel

A



Cinta métrica

B



Escuadra

C



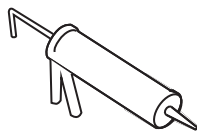
Lápiz

D



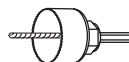
Cinta selladora de pintor

E



Pistola de calafateo Taladro

F



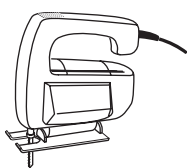
Sierra de perforación

G



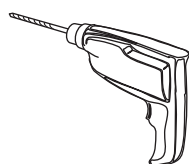
Lentes de seguridad

H



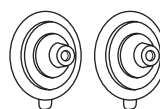
Sierra caladora con dientes finos

I



Taladro

J



Ventosas – opcional

K

SE VENDEN POR SEPARADO

x8 tubos de adhesivo de construcción de agarre instantáneo resistente al agua
X2 tubos de sellador de tina y azulejos

x3 tableros OSB de 4x8' x 7/16" de grosor

Tornillos de cabeza de arandela GRK, de aproximadamente 7/16" de diámetro y clasificados para uso en exteriores

INSTRUCCIONES DE INSTALACIÓN

INFORMACIÓN GENERAL IMPORTANTE

Se recomienda que dos personas instalen la unidad.

Cubra el desagüe con cinta antes de realizar la instalación para no perder las piezas pequeñas.

Desempaque su unidad con cuidado y fíjese que no haya sido dañada durante el envío. Saque e identifique todas las piezas usando como referencia la página de contenido de la caja. Antes de desechar la caja, asegúrese de que no haya piezas pequeñas de ferretería en el fondo. Si hay piezas dañadas o faltantes, use la descripción indicada en las instrucciones cuando consulte sobre reemplazos.

Al instalar las paredes del baño que hacen juego, es posible que se requieran montantes adicionales.

Vea esas instrucciones de instalación antes de instalar la tina.

Tenga mucho cuidado al colocar clavos o tornillos para evitar dañar la tina.

CONTENIDO DE LA CAJA

1 panel lateral izquierdo

1 panel lateral derecho

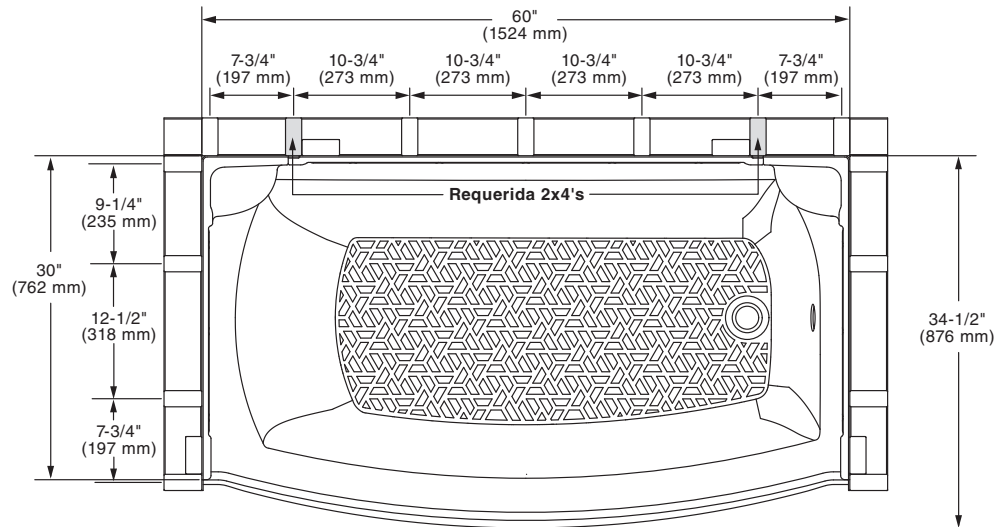
1 panel de pared posterior

2 conectores de pared

1

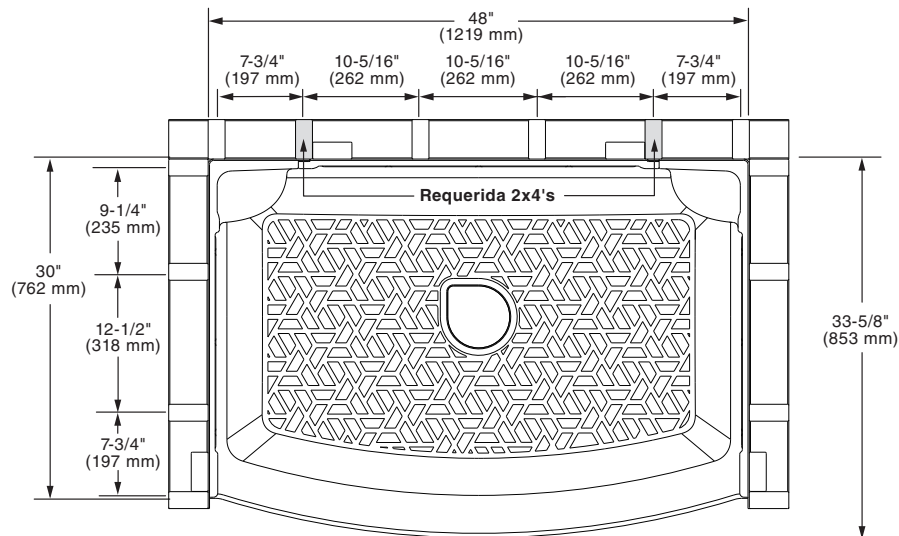
INSTALACIÓN DE LOS MONTANTES DE LA ALCOBA

NOTA: Las paredes de la ducha deben instalarse sobre una combinación de montantes y tableros OSB.



Instalación de montantes de alcoba para bañera o base de ducha de 60"

Consulte la ilustración de instalación de montantes de alcoba anterior para ver la ubicación recomendada de 2x4. Los 2x4 sombreados deben estar ubicados con precisión como se muestra. Asegúrese de que todos los montantes estén nivelados y a plomo. Rellene los montantes si fuera necesario para nivelar.



Instalación de montantes de alcoba para bañera o base de ducha de 48"

Consulte la ilustración de instalación de montantes de alcoba anterior para ver la ubicación recomendada de 2x4. Los 2x4 sombreados deben estar ubicados con precisión como se muestra. Asegúrese de que todos los montantes estén nivelados y a plomo. Rellene los montantes si fuera necesario para nivelar.

- 1a.** Si fuera necesario, rellene los montantes antes de instalar el tablero OSB para proporcionar la apertura correcta de la alcoba para los paneles. Asegúrese de que la alcoba esté aplomada y a escuadra.
- 1b.** La instalación y la colocación de montantes adicionales en la zona de la alcoba serán necesarias para proporcionar un soporte adecuado para la instalación del tablero OSB y las paredes de la ducha.

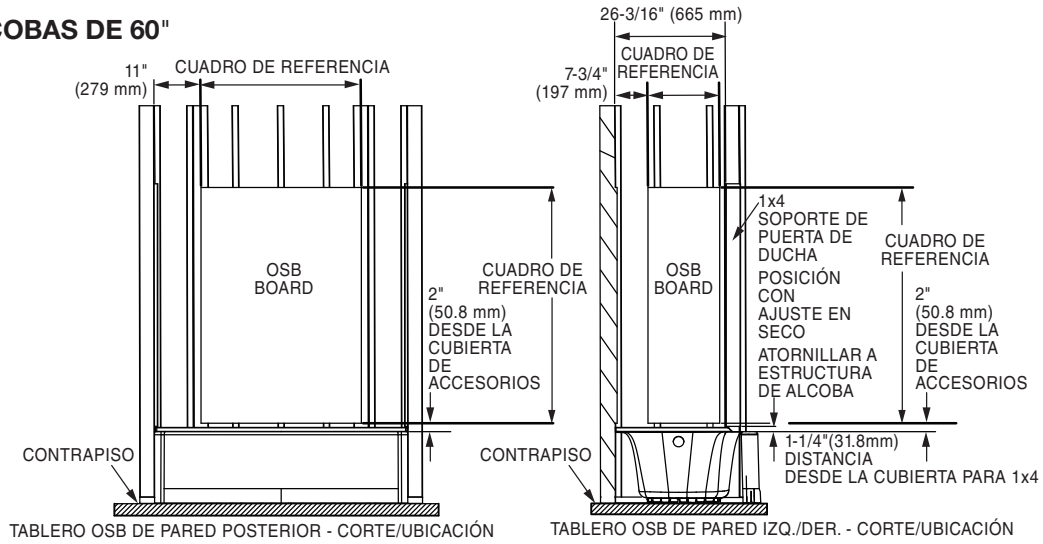
NOTA: La plomería bruta DEBE instalarse antes de las paredes.

NOTA: Si piensa instalar una puerta de ducha, siga las instrucciones del fabricante y prepare el entramado de pared como corresponda.

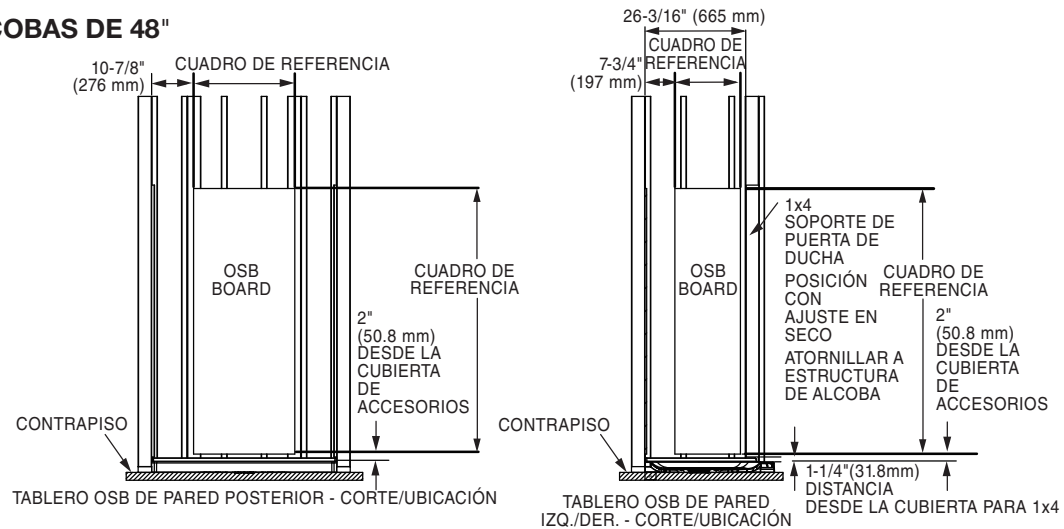
American Standard

INSTALACIÓN DE TABLEROS OSB

PARA ALCOBAS DE 60"



PARA ALCOBAS DE 48"

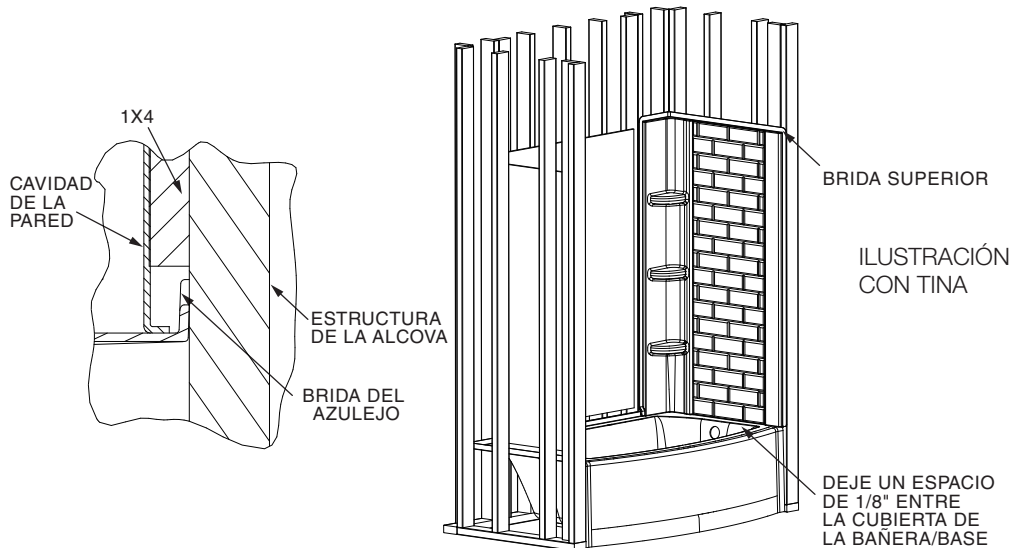


- 2a.** Corte y recorte cada pieza de tablero OSB (izquierda/derecha y posterior) según el cuadro de referencia para cada modelo. Marque y recorte el orificio de paso para la plomería bruta. El tablero OSB se utiliza para proporcionar un soporte adicional a las paredes y proporcionar un área para aplicar el adhesivo para los paneles de pared.
- 2b.** Coloque cada pieza de tablero OSB en su posición según la ilustración, manteniéndola 2" por encima de la base de la ducha o de la cubierta de la tina y fijela en su lugar con tornillos (se recomiendan los tornillos de construcción autoperforantes, pero se pueden utilizar tornillos estándar para madera). **CONSEJO:** Marque la ubicación de la parte superior y lateral de los paneles OSB/soporte de la puerta en los montantes para facilitar la colocación. **NOTA:** Asegúrese de que las cabezas de los tornillos estén planas con respecto a la superficie del tablero OSB y que no sobresalgan.
- 2c.** Si instala una puerta de ducha, proporcione un soporte adicional utilizando un 1x4" manteniéndolo a 1-1/4" (31,8 mm) de la cubierta de la base de la ducha o de la bañera y atorníllelo en el marco de la alcoba. (ref. ilustración)

Sólo paneles de pared OSB			
Modelo	Paredes laterales	Pared trasera	Soporte de puerta 1x4,, no OSB
2961BWT60	17" x 55-7/8" (432 x 1419 mm)	38" x 55-7/8" (965 x 1419 mm)	57-1/4" (1461 mm)
2961SWT60	17" x 68-7/8" (432 x 1749 mm)	38" x 68-7/8" (965 x 1749 mm)	70-1/2" (1791 mm)
2961SWT48	17" x 68-7/8" (432 x 1749 mm)	26-1/4" x 68-7/8" (667 x 1749 mm)	70-1/2" (1791 mm)

3

MONTAJE A SECO DE LAS PAREDES LATERALES



Coloque la pared lateral en su posición en la alcoba hasta que la esquina esté correctamente colocada, encajando en la parte superior de la base de la ducha o de la tina con una separación de aproximadamente 1/8". **CONSEJO:** Puede utilizar la paleta de mezcla de pintura como espaciador para esta tarea. Compruebe con un nivel que los bordes verticales del panel están a plomo.

Una vez que los paneles laterales están montados a seco, marque todas las ubicaciones de plomería donde las válvulas de la ducha o las cabezas de la ducha pasan por el panel lateral. Coloque cinta adhesiva sobre el área que se va a perforar para proteger el acabado de la superficie del panel y perforo agujeros en cada lugar utilizando sierras de perforación lo suficientemente grandes como para realizar la apertura adecuada pero lo suficientemente pequeñas como para que el orificio quede cubierto por las placas de acabado.

Una vez colocado correctamente y a plomo, perforo agujeros piloto de 11/64" en la brida superior y utilice 1 o 2 tornillos para sujetar temporalmente el panel de pared en su lugar. **CONSEJO:** Después de taladrar el agujero de paso a través de la brida de la pared, taladre un agujero piloto para el tornillo de madera. Esto evitará que el tornillo siga la veta de la madera y desplace la pared fuera de la alineación. Deje la esquina del panel de pared libre para los siguientes pasos. Coloque en seco el segundo panel de la pared lateral de la misma manera.

4

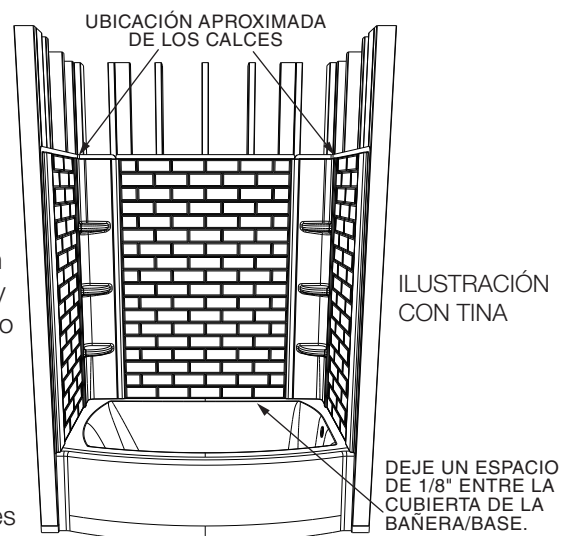
MONTAJE A SECO DE PARED TRASERA

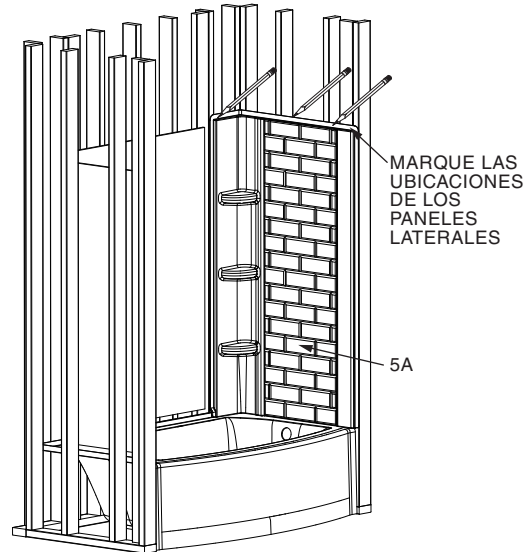
Una vez que los paneles laterales izquierdo y derecho están correctamente instalados en seco, se puede instalar en seco el panel de la pared trasera.

NOTA: Las extrusiones largas no se instalarán hasta después de la prueba/montaje en seco.

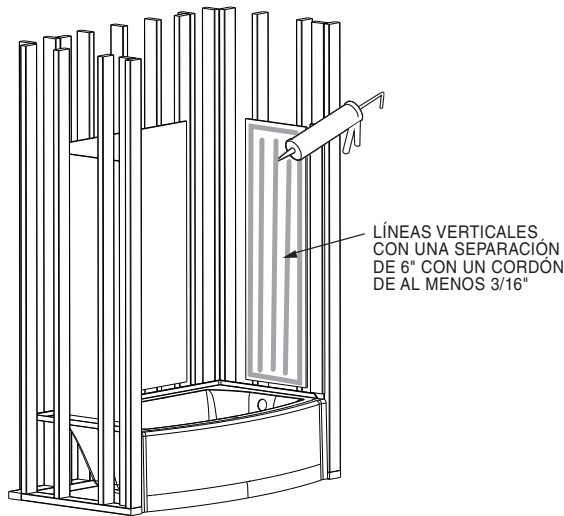
Coloque el panel trasero de la pared entre los paneles laterales izquierdo y derecho. Compruebe que no haya ningún hueco entre los paneles de pared trasera y los laterales. Si hay un espacio entre cualquiera de los paneles laterales y el trasero o el panel trasero no encaja entre los paneles laterales, será necesario reajustar el panel o los paneles laterales para asegurar el montaje adecuado.

NOTA: Añada calces detrás de la brida del panel si fuera necesario para rellenar cualquier hueco o espacio. Prepare los calces necesarios para las paredes laterales que se utilizarán para la instalación final.



5**AJUSTE EN SECO FINAL**

Una vez que todos los paneles estén montados a seco y correctamente colocados en su sitio, sin huecos, fije la parte inferior de cada panel lateral a la tina/base con cinta adhesiva, retire el panel de pared trasero y marque las ubicaciones de los paneles izquierdo y derecho, arriba y abajo, de modo que cuando se retiren los paneles laterales para añadir el adhesivo en el tablero OSB, los paneles puedan volver a colocarse en las mismas ubicaciones.

6**APLICACIÓN DE ADHESIVO, PANELES LATERALES**

Empezando por el panel lateral izquierdo o derecho, aplique el adhesivo con un gota de al menos 3/16" de diámetro alrededor de los bordes exteriores del tablero OSB y en líneas verticales con espaciamentos de 6" como se ilustra. **NOTA:** Cada panel lateral necesitará aproximadamente 2 tubos de adhesivo; si queda algo después de completar el patrón de aplicación, aplique el restante sobre el tablero OSB en porciones hasta vaciar los tubos. Vuelva a instalar el panel lateral en la posición marcada previamente en el paso 5, compruebe que está a plomo y atornille el panel en su sitio. Presione sobre la superficie exterior del panel en la zona donde se aplica el tablero OSB y el adhesivo para asegurar un buen contacto del adhesivo con el interior del panel de pared lateral. Instale el panel lateral opuesto de la misma manera.

American Standard

INSTALACIÓN DE LOS CONECTORES DE PARED

UBICACIÓN APROXIMADA DE LOS CALCES

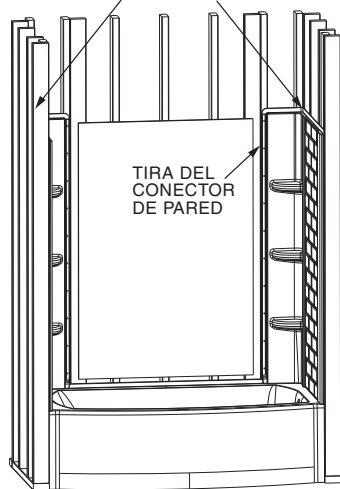


FIG. A

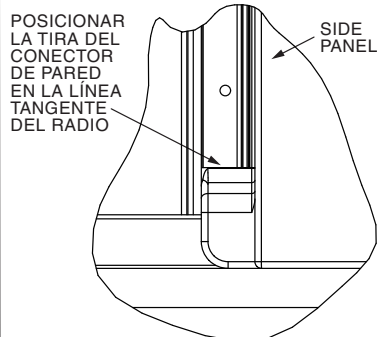


FIG. B
COLOCACIÓN DEL CONECTOR DE PARED

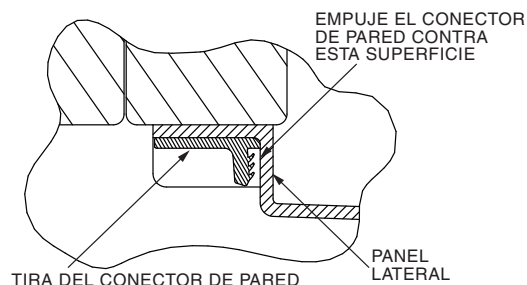
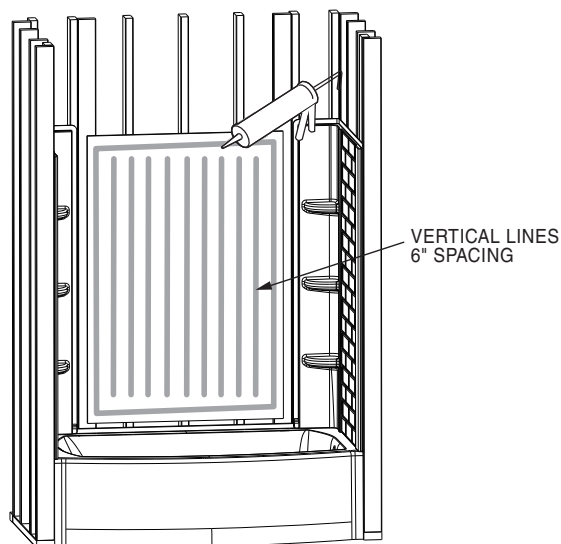


FIG. C
VISTA EN CORTE MIRANDO HACIA ABAJO DESDE LA PARTE SUPERIOR

- 7a.** Retire uno de los conectores de pared y colóquelo en el borde interior de uno de los paneles laterales como se ilustra (Fig. A). **NOTA:** Asegúrese de que el conector de pared se instale y encaje correctamente como se indica en la ilustración (Fig. B y C). Coloque a tope el lado dentado del conector contra la superficie de la pared lateral. Utilice cinta adhesiva para sujetar el conector de pared en su lugar, y luego taladre previamente la brida del panel de pared utilizando una broca de 11/64" a través de cada orificio pretaladrado del conector de pared. Se recomienda encarecidamente que se perforo un agujero piloto para cada tornillo para evitar que el conector se desplace.
- 7b.** Fije el panel y el conector de pared con los tornillos para armarios GRK® a través de cada orificio. (Se prefiere el tornillo GRK. Si se utiliza otro tipo de tornillo, asegúrese de que tenga una cabeza de arandela de aproximadamente 7/16" de diámetro y que esté clasificado para uso en lugares húmedos exteriores. Nota: No se recomienda utilizar un taladro motorizado para las últimas vueltas del tornillo; utilice en su lugar un destornillador de mano o podría producirse una distorsión del conector, lo que dificultaría la inserción del panel posterior. Instale el segundo conector de pared de la misma manera en el panel lateral opuesto.
- 7c.** Una vez que los dos conectores estén firmemente atornillados en su lugar, complete el proceso de ajuste en seco del panel posterior a los paneles laterales. Sujete el panel de pared posterior en su posición sin empujar el lado en los conectores de pared y compruebe que encaja igual que durante la fase de montaje en seco. Compruebe que el panel trasero encaje correctamente en los conectores de pared sin dejar huecos. **NOTA:** La aplicación de una pequeña cantidad de agua en la junta del conector facilitará la inserción del panel trasero.

8

APLICACIÓN DE ADHESIVO, PANEL LATERAL

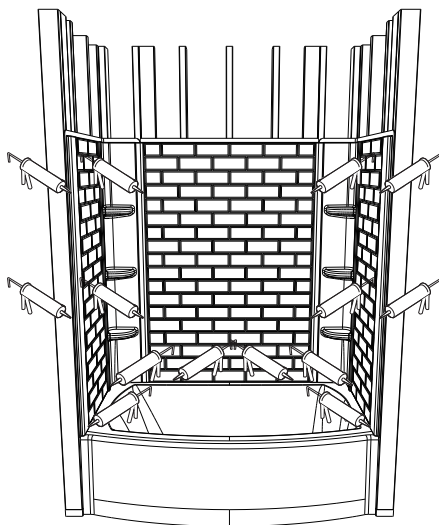


Una vez que todos los paneles estén correctamente colocados, retire el panel trasero de la pared y aplique el adhesivo en el tablero OSB trasero alrededor de los bordes exteriores en líneas verticales con espaciamientos de 6" como se ilustra. **NOTA:** El panel trasero necesitará aproximadamente 4 tubos de adhesivo; si queda algo después de completar el patrón de aplicación, aplique el restante sobre el tablero OSB en porciones hasta vaciar todos los tubos. Vuelva a instalar el panel trasero en su posición y encájelo sobre los paneles laterales. Cuando esté correctamente encajado en su posición, atornille el panel trasero en la zona de la brida superior en cada montante utilizando tornillos para madera para exteriores.

NOTA: Puede ser necesario aplicar un refuerzo en las zonas de las paredes que entran en contacto con el adhesivo para garantizar un buen contacto. Espere 24 horas antes de aplicar el sellador en las zonas de las juntas como se indica en el paso 9.

9

APLICACIÓN DEL SELLADOR



Después de esperar 24 horas para que el adhesivo se cure desde el paso 8, retire cualquier apuntalamiento que se haya instalado y aplique el sellador a todas las áreas como se ilustra. Dejar curar 24 horas antes de utilizar.

LIMPIEZA POSTERIOR A LA INSTALACIÓN

Retire todos los desechos de construcción. Instale todos los accesorios, estantes o puertas según las instrucciones de instalación del fabricante.

La limpieza posterior a la instalación puede realizarse con una mezcla de mitad alcohol isopropílico y mitad agua.

CUIDADO Y LIMPIEZA

⚠ ADVERTENCIA: Los productos de limpieza cuyas etiquetas indiquen “no adecuado para usar con ABS, acrílico o poliestireno”

NO DEBEN USARSE. Lea todas las etiquetas con atención.

Limpie las paredes de la ducha con agua tibia y jabón y una esponja suave. Para las manchas más difíciles, utilice una mezcla de mitad alcohol isopropílico y mitad agua.

NUNCA USE SUSTANCIAS QUÍMICAS ABRASIVAS EN LA SUPERFICIE DE LA PARED DE LA DUCHA. Después de usar, limpie con un detergente doméstico líquido suave. No utilice Lestoil®, desinfectante Lysol® (rociador o concentrado), o limpiador para azulejos, tinajas y lavabos Lysol®, Windex®, Mr. Clean®, limpiador desinfectante para baños Dow® o productos de limpieza en aerosol.

No use cepillos de alambre, cuchillos ni objetos filosos para quitar manchas, depósitos de alquitrán de cigarrillo ni otras manchas en la superficie.

No deben usarse polvos o limpiadores abrasivos, ya que opacan la superficie.

No permita que el quitaesmalte, la acetona, el fluido de limpieza en seco, el removedor de pintura u otros solventes entren en contacto con la superficie.

SPIC AND SPAN® es una marca comercial registrada de The Spic and Span Company.