

INSTALLATION INSTRUCTIONS

PASSAGE™ SHOWER BASES

MODELS: A8010T-RHO, A8010T-LHO, A8011T-RHO, A8011T-LHO, A8012T-CO

American Standard

Thank you for selecting American Standard – the benchmark of fine quality for over 100 years. To ensure this product is installed properly, please read these instructions carefully before you begin. (Certain installations may require professional help.)

Local building codes vary by location. Observe all local plumbing and building codes.

TOOLS & MATERIALS REQUIRED....

TOOLS:

- Level
- Pencil
- Square
- Tape Measure
- Pipe Wrench
- Slip Joint Pliers
- Screw Driver
- Standard Woodworking Tools
- Personal Safety Equipment
- Caulking Gun

MATERIALS:

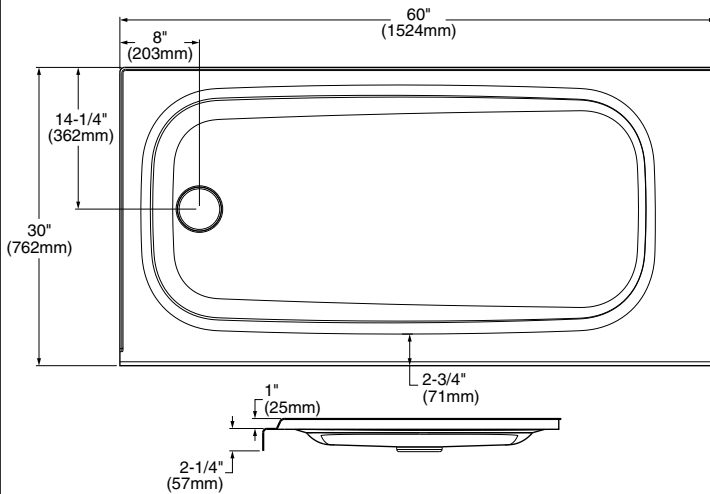
- Silicone Sealant
- Drop Cloth
- Mortar Mix or Grout

NOTE: Read instructions completely before proceeding with installation.

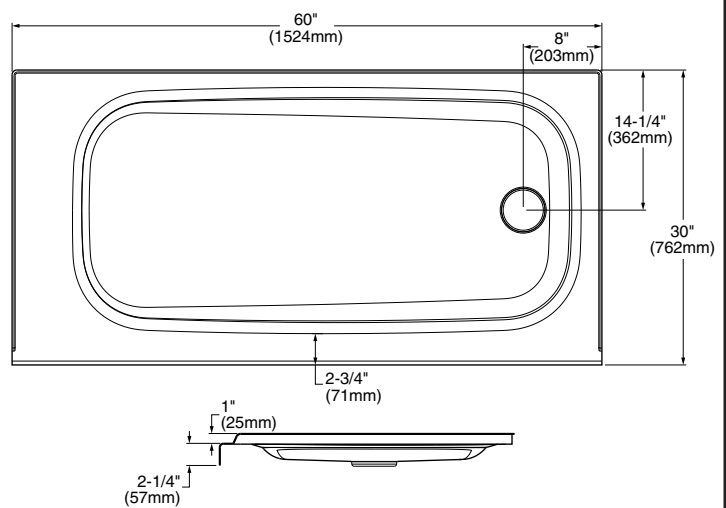
The opening dimensions should be at least 1/8" (3mm) larger than dimensions shown.

For the best fit, the opening measurements should be verified against the actual shower base received.

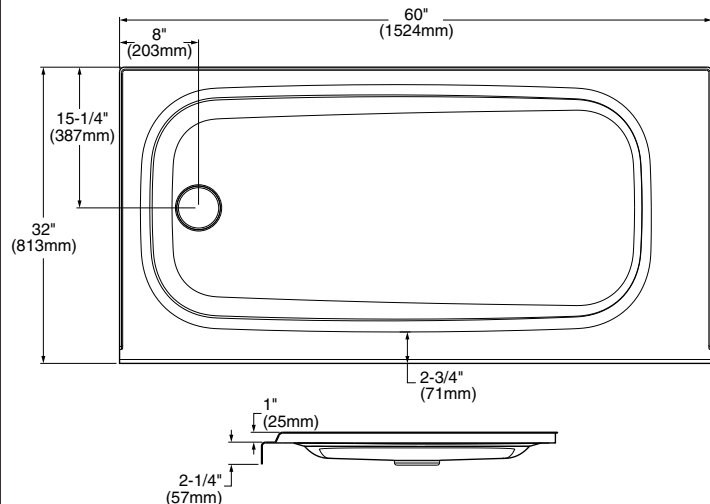
A8010T-LHO



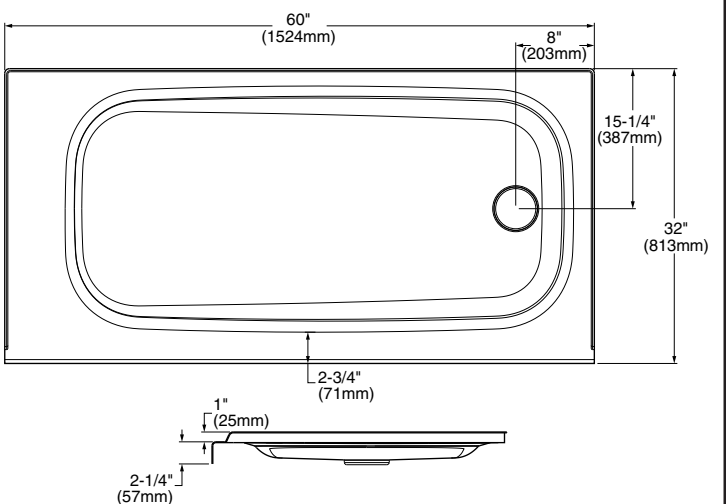
A8010T-RHO



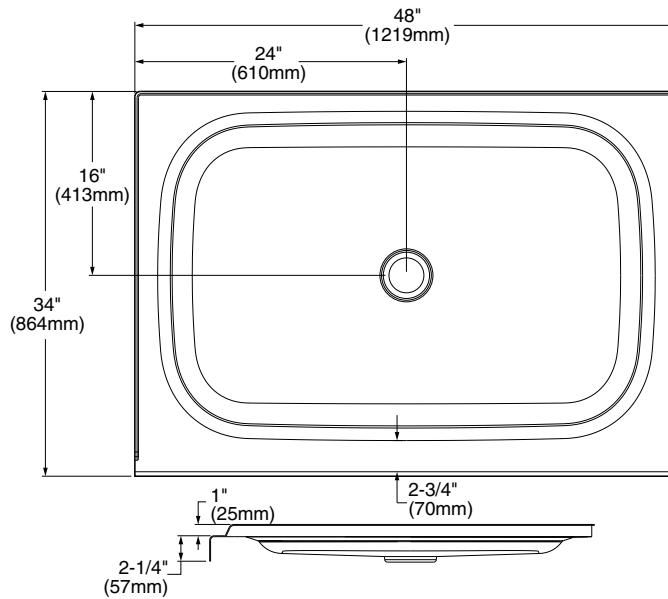
A8011T-LHO



A8011T-RHO



A8012T-CO



1

Ensure that the floor and stud walls are square and plumb on a level floor as shown in Figure A. Provide a 5" x 5" (127 x 127mm) opening in the floor for the drain and refer to the product rough-in for actual drain location. Draw a line 3-1/4" (82mm) above the level subfloor on the wall studs at each side of the opening.

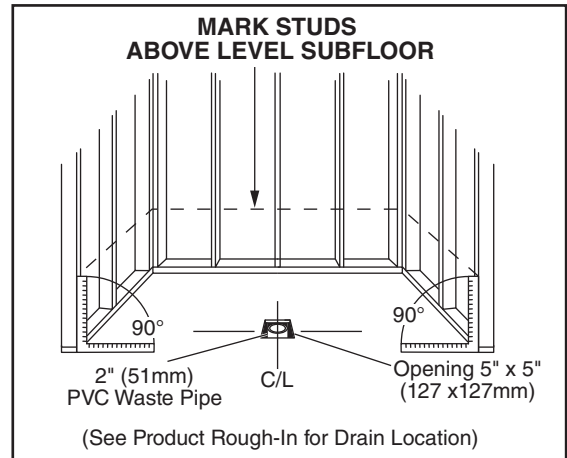


FIGURE A

2

All of the shower bases require purchasing a round shower strainer type drain for use with a standard 2" (51mm) plastic schedule 40 waste pipe. Figure B shows the typical drain assembly. Before installing drain into the shower base, remove strainer (Fig B). This will be installed after shower base is in its final position. Cut the waste pipe height so that the drain body will fit snug in the shower base. Apply silicone sealant between the drain body and shower base.

NOTE: Drain not included and must be purchased separately.

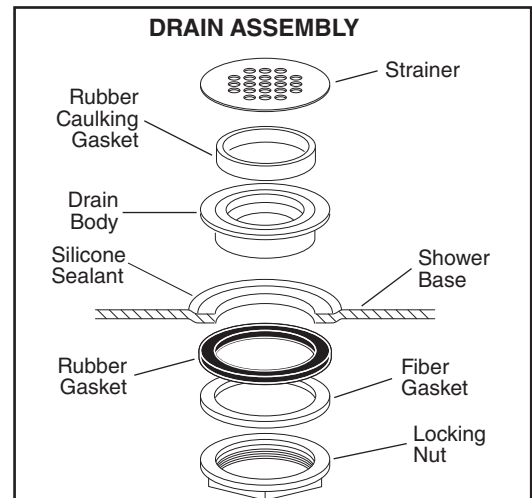


FIGURE B

POST INSTALLATION CLEAN-UP

Remove all construction debris. Tile grout can be removed with a wooden popsicle stick or tongue depressor. Do not use wire brushes or any other metal implement on surface.

Post installation clean-up generally can be completed using warm water and liquid dishwashing detergent. Stubborn dirt or stains may be removed using granular Spic and Span® mixed with water.

Painter's naphtha can be used to remove excess adhesives and/or wet oil-base paint.

AFTERCARE and CLEANING

⚠ WARNING: Cleaning products with labels that say "not suitable for use with acrylic" **SHOULD NOT BE USED**. Read all labels carefully.

- Excessively hot water may cause surface damage.
- **HARSH CHEMICALS SHOULD NEVER BE USED ON SHOWER BASE SURFACE.** Clean after use with a mild liquid household detergent cleaner. Do not use Lestoil, Lysol Disinfectant (spray or concentrate), or Lysol Basin, Tub and Tile Cleaner, Windex, Mr. Clean, Dow Disinfectant Bathroom Cleaner, or cleaning products in aerosol cans.
- Do not use wire brushes, knives or sharp objects to remove stains, cigarette tar deposits, or other surface blemishes.
- Abrasive cleaners or powders must not be used, since they will dull the surface. If the glossy surface loses its sheen, dulled areas or light scratches can be restored by rubbing with a white "automotive type" polishing compound and waxing with a "liquid wax."
- **Do not wax areas where you walk or stand.**
- Do not allow nail polish remover, acetone, dry cleaning fluid, paint remover or other solvents to come into contact with the surface.
- Clean the surrounding surface immediately after using caustic drain cleaners.
- Burning cigarettes will damage the surface.
- Should damage to the fixture occur, repairs can be made quickly and easily. Your distributor or builder can provide details.