

American Standard

OVER THE RIM DRAIN

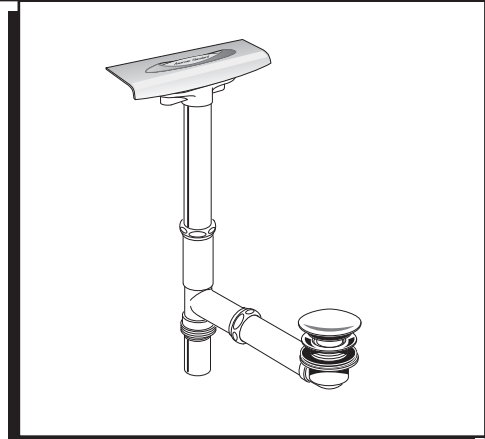
Installation Instructions

1599.205.XXX SERIES

BATH WASTE AND OVERFLOW WITH TOE TAPPER DRAIN PLUG

Thank you for selecting American-Standard...the benchmark of fine quality for over 100 years.

To ensure that your installation proceeds smoothly—please read these instructions carefully before you begin.



U.S. Patent No. 4,294,289, Patents Pending

753732-100 Rev.1.5

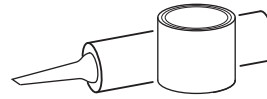
TOOLS REQUIRED



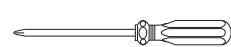
Channel Locks



Adjustable Wrench



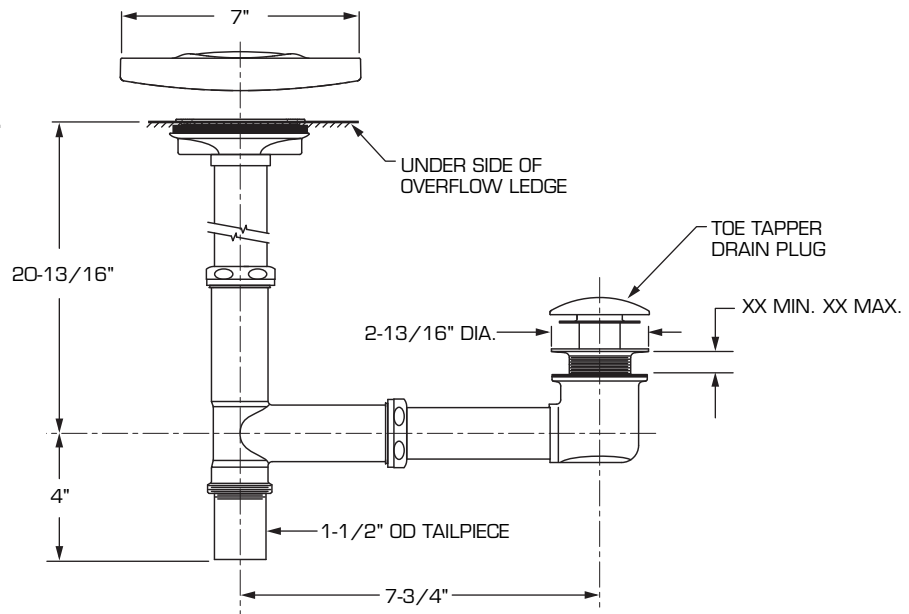
Plumbers' Putty or Caulking



Phillips Screwdriver

ROUGH-IN DIMENSIONS

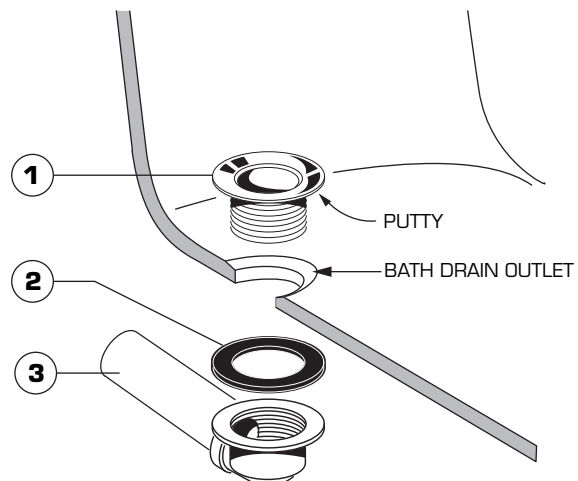
NOTE: OVERFLOW TUBE ASSEMBLY ROTATED 90 DEGREES IN THIS VIEW.



1 INSTALL DRAIN PLUG AND ELL

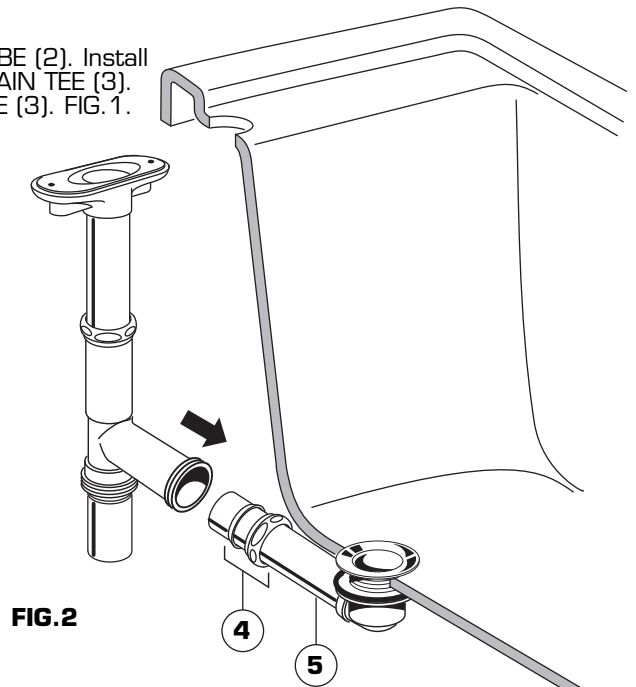
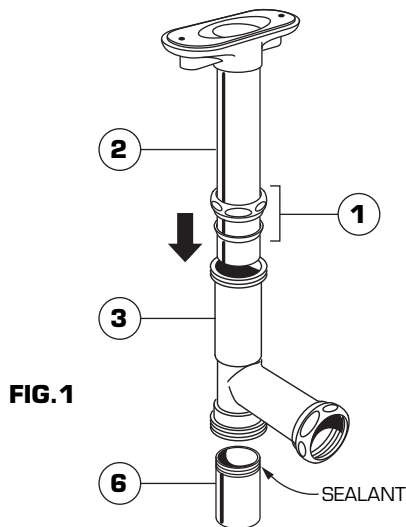
- Apply putty to underside of DRAIN PLUG (1) and drop into drain opening.
- Slip RUBBER WASHER (2) on from below and thread DRAIN PLUG (1) into DRAIN ELL ASSEMBLY (3).

NOTE: TUB IS SHOWN CUT AWAY FOR CLARITY OF INSTALLATION.



2 INSTALL OVERFLOW ASSEMBLY AND DRAIN TEE

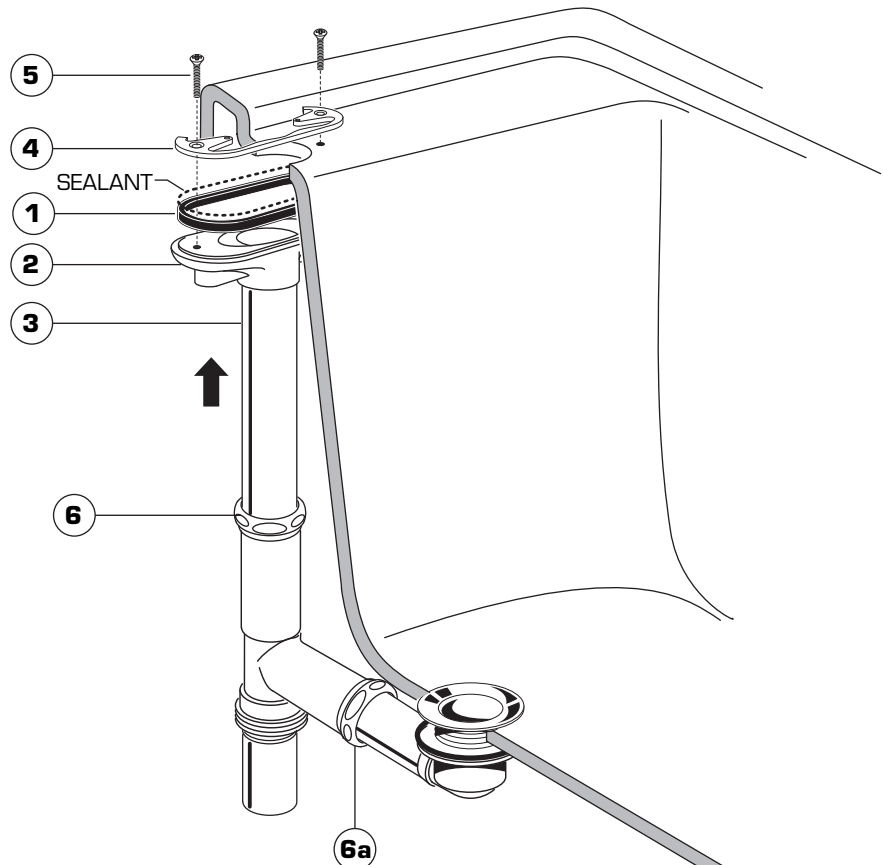
- Loosen SLIP JOINT NUT & SEAL (1) and install onto OVERFLOW TUBE (2). Install OVERFLOW TUBE ASSEMBLY (2) into the appropriate leg of the DRAIN TEE (3). Apply sealant to threads of TAILPIECE (6) and thread into DRAIN TEE (3). FIG. 1.
- Loosen SLIP JOINT NUT & SEAL (4) and install onto DRAIN ELL ASSEMBLY (5). Install DRAIN ELL ASSEMBLY (5) into the horizontal leg of the DRAIN TEE (3). FIG 2.



NOTE: TUB IS SHOWN CUT AWAY FOR CLARITY OF INSTALLATION.

3 SECURE OVERFLOW ASSEMBLY TO TUB

- Apply a bead of silicone sealant to upper edge of OVERFLOW GASKET (1).
- Install OVERFLOW GASKET (1) onto OVER FLOW FLANGE (2).
- Push OVER FLOW TUBE ASSEMBLY (3) up flush against underside of ledge.
- Install and align mounting holes in RETAINING PLATE (4) with holes in OVER FLOW FLANGE (2). Insert MOUNTING SCREWS (5) and tighten to secure OVER FLOW FLANGE (2) to TUB. **Note: RETAINING PLATE (4) must be installed as shown with open side facing out.**
- Tighten SLIP JOINT NUTS (6, 6a) to make water tight connections.



NOTE: TUB IS SHOWN CUT AWAY FOR CLARITY OF INSTALLATION.

4 INSTALL OVERFLOW ESCUTCHEON

- Install OVERFLOW ESCUTCHEON (1) onto RETAINING PLATE (2). Use MOUNTING SCREWS (3) to secure OVERFLOW ESCUTCHEON (1). Fig. 1.
- Peel protective tape from the AMERICAN STANDARD LOGO (4). Align LOGO (4) and press into place. Fig. 2.
- Thread TOE TAPPER DRAIN PLUG (5) into DRAIN PLUG (6)

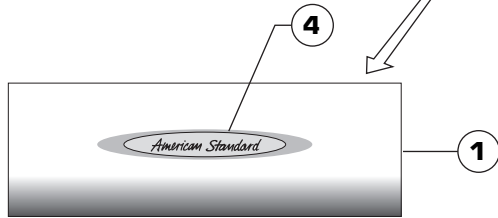


FIG. 2

NOTE: TUB IS SHOWN CUT AWAY FOR CLARITY OF INSTALLATION.

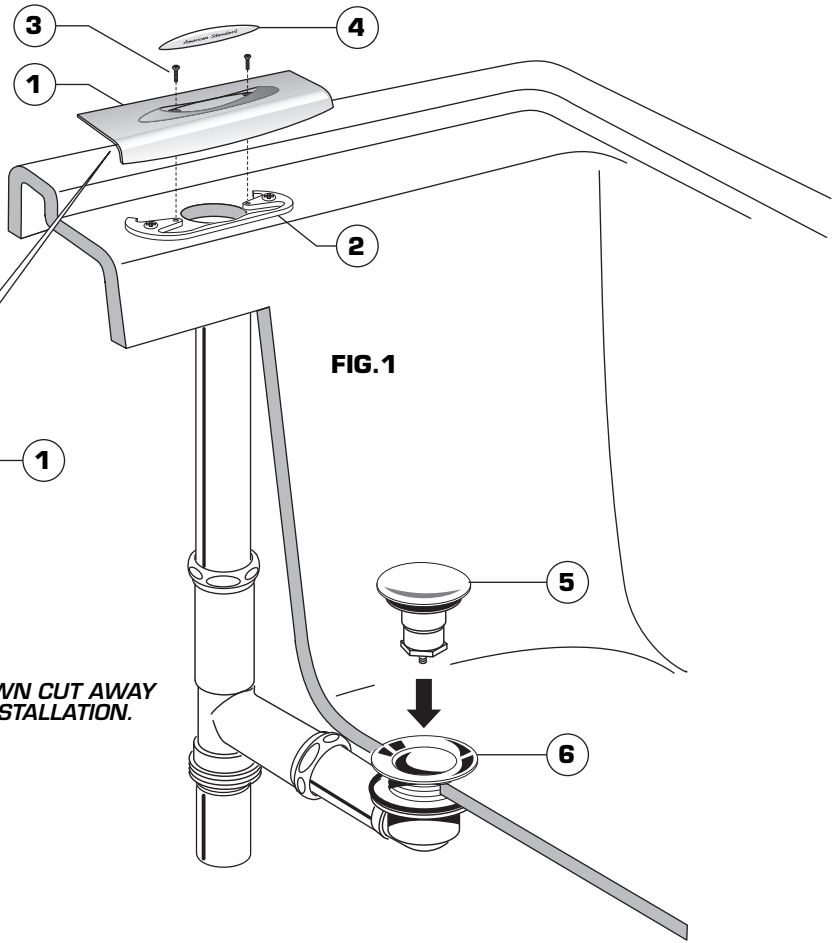
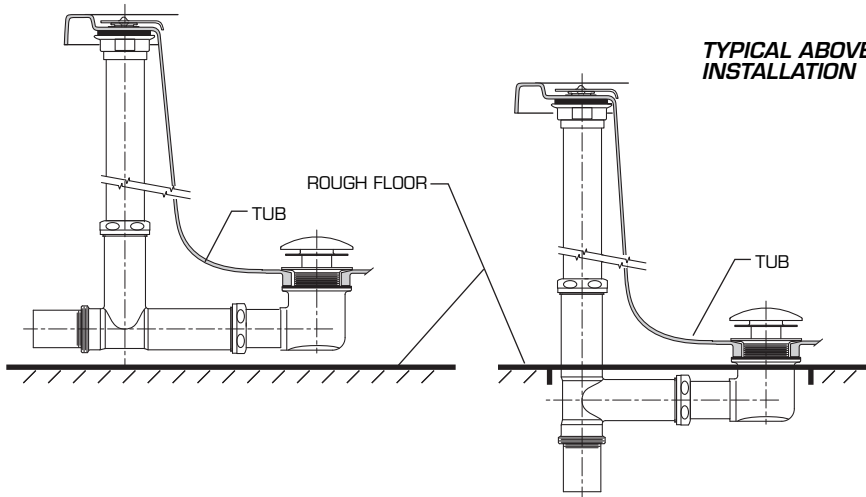


FIG. 1

5 ABOVE FLOOR OUTLET

Note: Waste outlet can be installed either above the floor or below floor. Fig. 1.

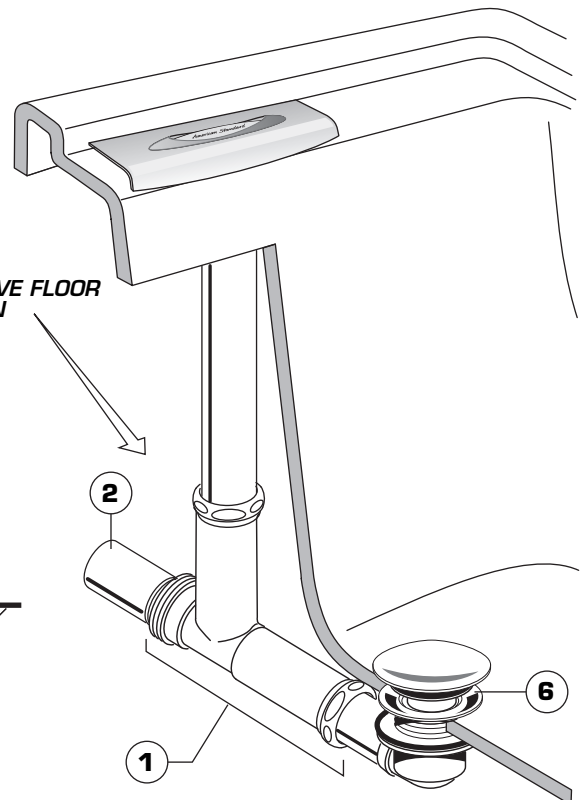
- For above floor outlet, Rotate DRAIN TEE ASSEMBLY (1) 90 degrees so TAILPIECE (2) faces out the back from tub as shown. Fig. 2.



ABOVE FLOOR ROUGH

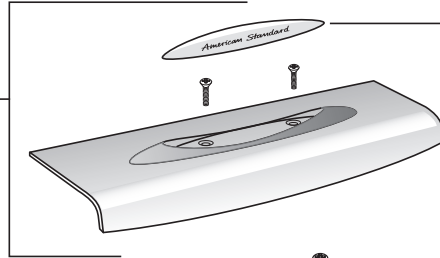
BELOW FLOOR ROUGH

TYPICAL ABOVE FLOOR INSTALLATION



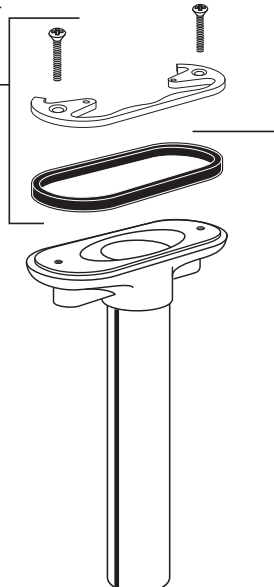
NOTE: TUB IS SHOWN CUT AWAY FOR CLARITY OF INSTALLATION.

753918-XXX0A
OVERFLOW
ESCUTCHEON
W/BUBBLE LOGO



753744-0070A
AM. STD. BUBBLE LOGO

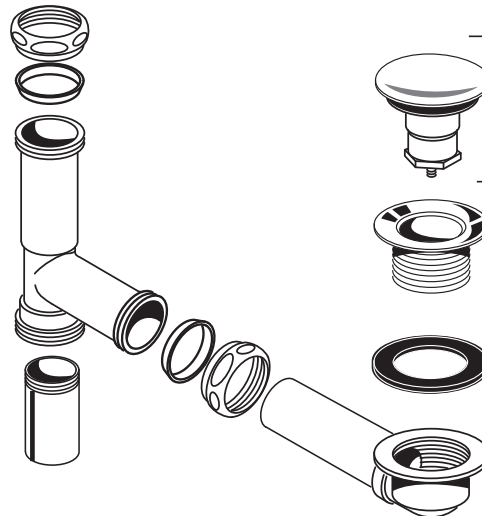
753917-0070A
RETAINING PLATE
WITH SCREWS



753635-0070A
OVERFLOW FITTING

Replace the "XXX" with
appropriate finish code

| | |
|---------------|-----|
| CHROME | 002 |
| WHITE | 020 |
| LINEN | 222 |
| POL. BRASS | 099 |
| BRUSHED SATIN | 295 |
| BLACK | 178 |



753629-XXX0A
TOE TAPPER DRAIN

753630-0020A
DRAIN PLUG

751977-0070A
DRAIN PLUG
WASHER