

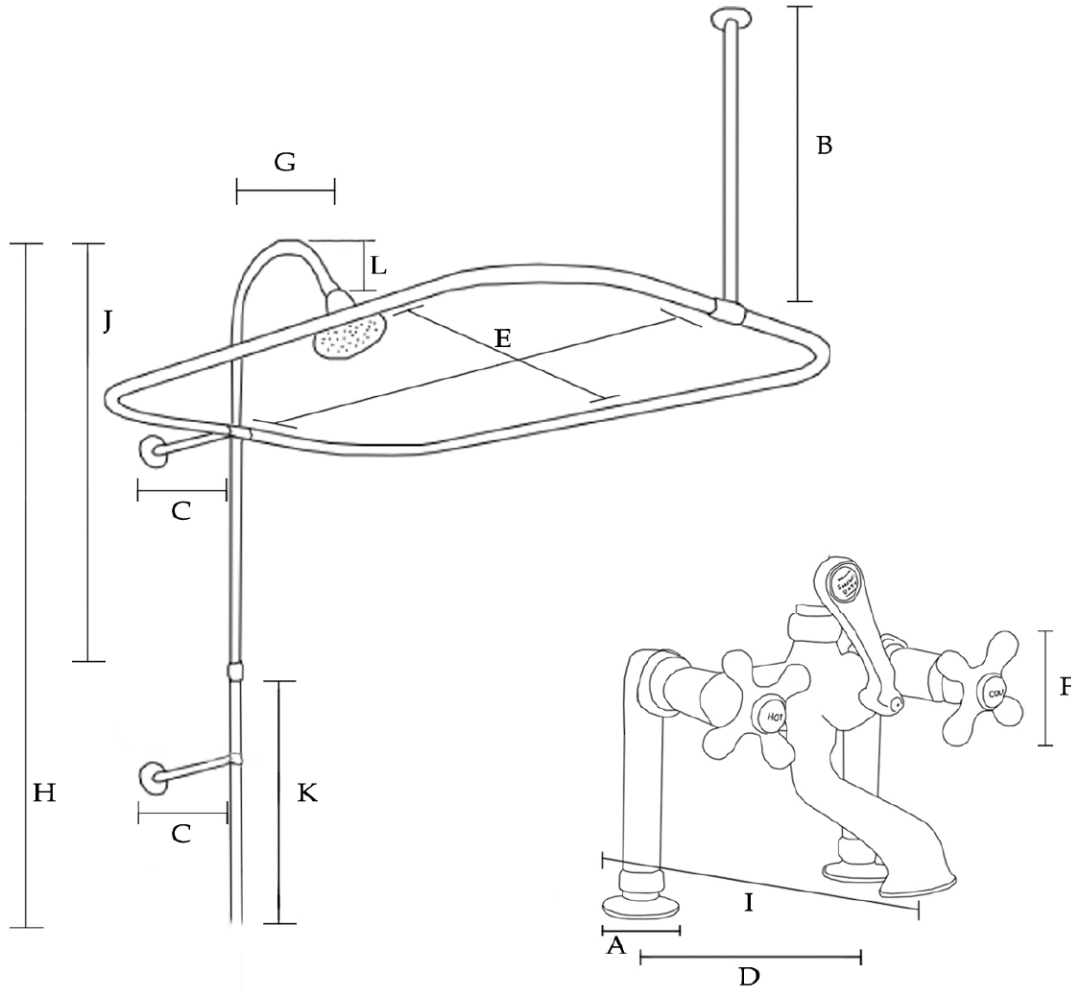


# MAIDSTONE

www.MaidstoneSupply.com

## Rim Mount Shower Enclosure

Part No: 125-ETR1



- (A) Base: 2" OD
- (B) Brace - Ceiling: 30" L
- (C) Brace - Wall: 10" L
- (D) Centers: 7" W
- (E) 48" Frame:\* 28" W x 48" L; 3/4" OD
- 54" Frame: 28" W x 54" L; 3/4" OD
- 60" Frame:\* 28" W x 60" L; 3/4" OD
- (F) Handle: 3-1/4" L
- (G) Projection: 9" Reach
- (H) Riser: 76" H; 5/8" OD
- (I) Spout: 7" Reach
- (J) Upper Pipe Riser: 28" L
- (K) Lower Riser Pipe: 48" L
- (L) Riser Curve Drop: 5" L

\*Chrome Only

Flow Rate: 7 gal/min

Contact Maidstone for additional information and specifications. For complete warranty information and a list of dealers visit [www.MaidstoneSupply.com](http://www.MaidstoneSupply.com). All products and specifications are subject to change without notice. Maidstone is not responsible for typographical and/or dimensional errors. Typographical errors are subject to correction.

Note: Rough-in dimensions may vary +/- 1/2" and are subject to change. No responsibility is assumed by Maidstone.