

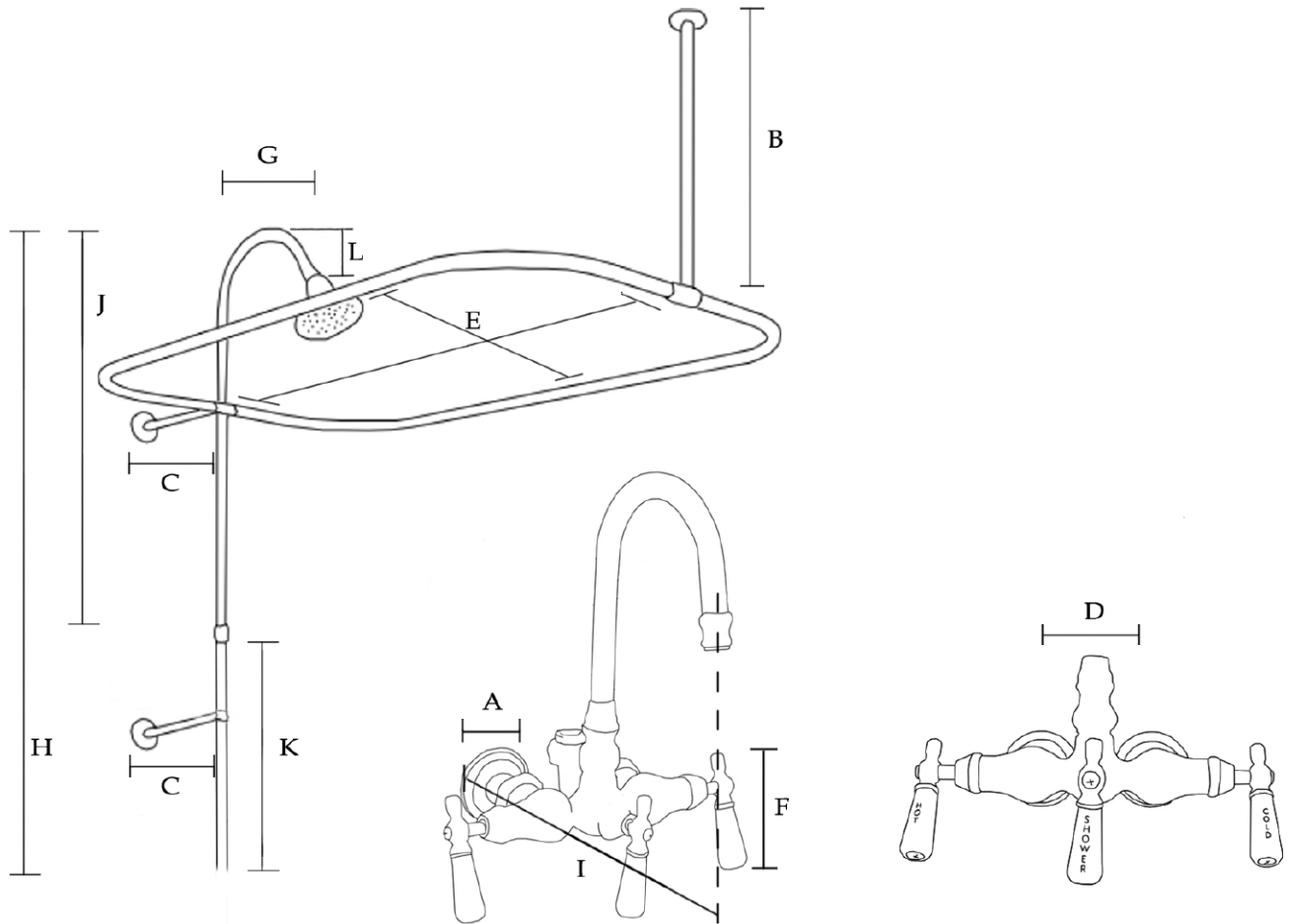


MAIDSTONE

www.MaidstoneSupply.com

Shower Enclosure Set

Part No: 125-GW2-MS1-60



- (A) Base: 2-1/2" OD
 - (B) Brace - Ceiling: 30" L
 - (C) Brace - Wall: 10" L
 - (D) Centers: 3-3/8" W
 - (E) 48" Frame:* 28" W x 48" L; 3/4" OD
 - 54" Frame: 28" W x 54" L; 3/4" OD
 - 60" Frame:* 28" W x 60" L; 3/4" OD
 - (F) Handle: 3-1/2" L
 - (G) Projection: 9" Reach
 - (H) Riser: 76" H; 5/8" OD
 - (I) Spout: 8" Reach
 - (J) Upper Pipe Riser: 28" L
 - (K) Lower Riser Pipe: 48" L
 - (L) Riser Curve Drop: 5" L
- Flow Rate: 7 gal/min

*Chrome Only

Contact Maidstone for additional information and specifications. For complete warranty information and a list of dealers visit www.MaidstoneSupply.com. All products and specifications are subject to change without notice. Maidstone is not responsible for typographical and/or dimensional errors. Typographical errors are subject to correction.

Note: Rough-in dimensions may vary +/- 1/2" and are subject to change. No responsibility is assumed by Maidstone.