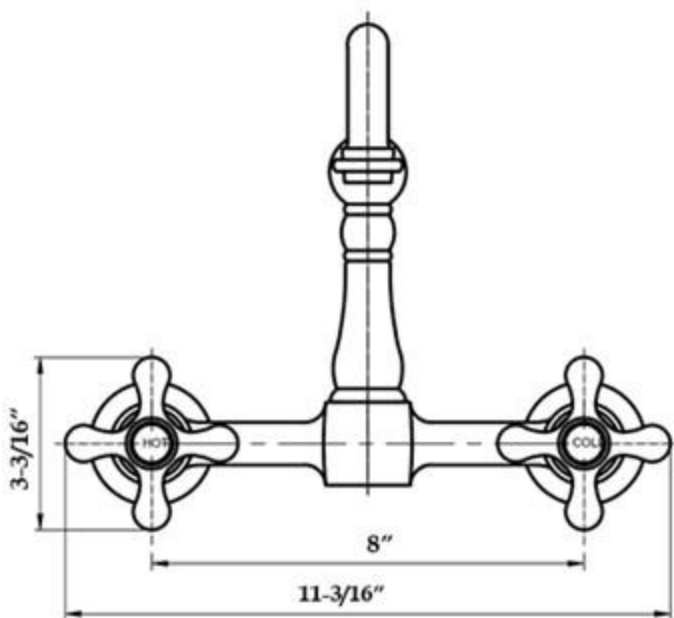


# FRONT VIEW



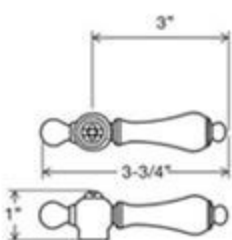
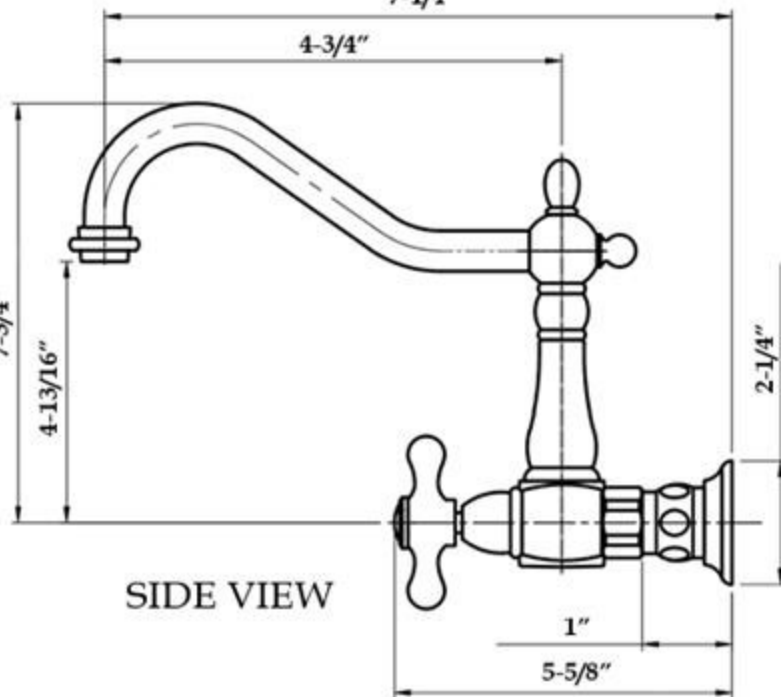
$7\text{-}\frac{1}{4}\text{''}$

$4\text{-}\frac{3}{4}\text{''}$

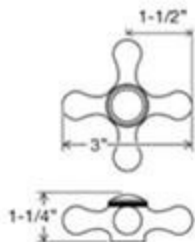
$7\text{-}\frac{3}{4}\text{''}$

$4\text{-}\frac{13}{16}\text{''}$

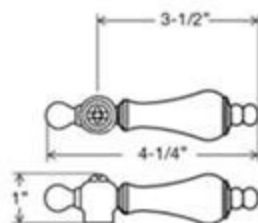
# SIDE VIEW



Metal Lever



Metal Cross



Porcelain Lever

