

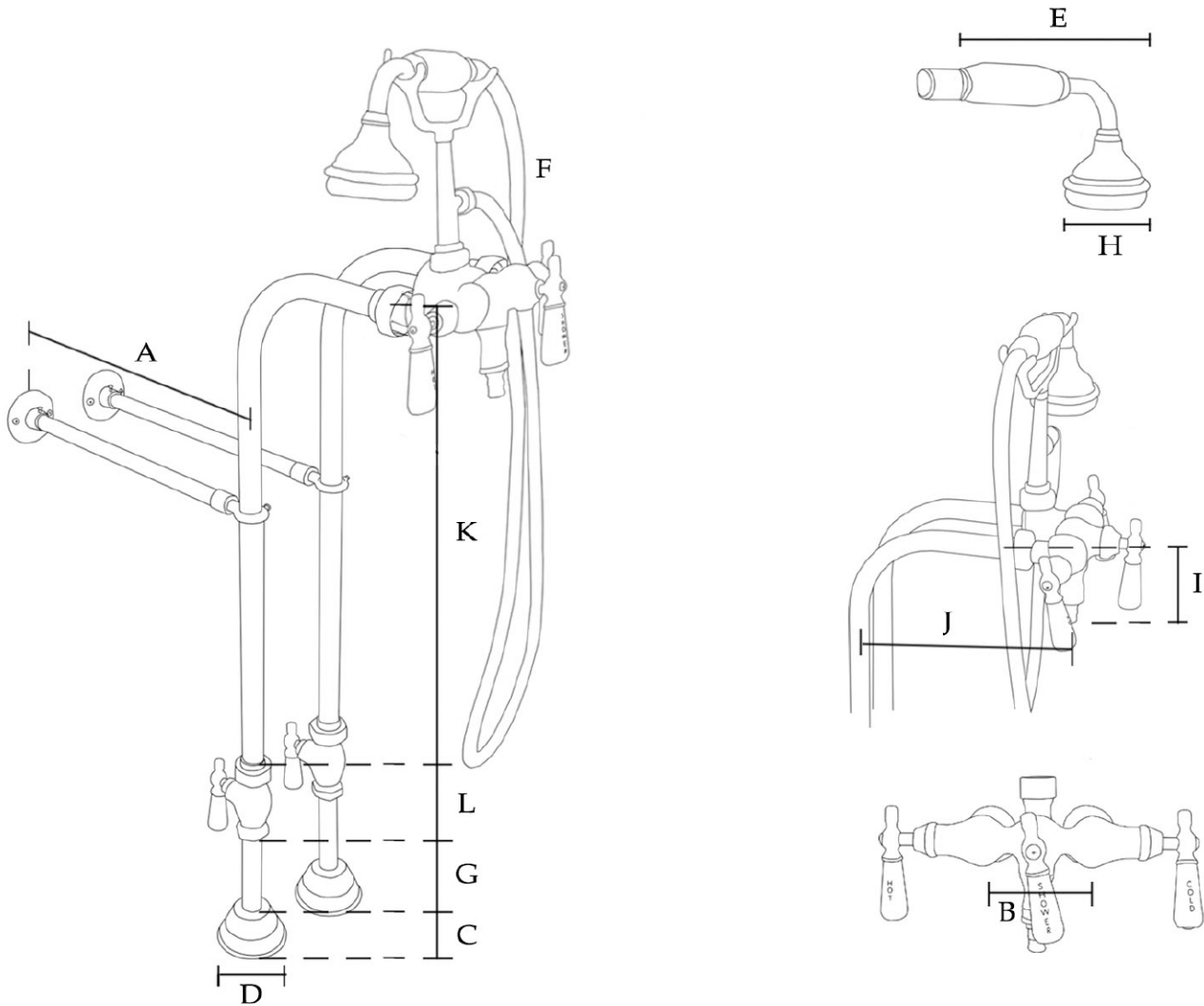


MAIDSTONE

www.MaidstoneSupply.com

Freestanding Tub Faucet

Part No: 121-DSF4



(A) Brace: 13-1/2" L	(E) Hand Shower: 7" L	(I) Spout: 3-1/2" H
(B) Centers: 3-3/8" W	(F) Hose: 59-3/4" L	(J) Spout: 5-1/2" Reach
(C) Flange: 1-3/4" H	(G) Nipple: 7-1/2" L	(K) Tube: 19-1/2" L
(D) Flange: 3" OD	(H) Shower Head: 2-1/2" OD	(L) Valve: 3-3/4" H

Contact Maidstone for additional information and specifications. For complete warranty information and a list of dealers visit www.MaidstoneSupply.com. All products and specifications are subject to change without notice. Maidstone is not responsible for typographical and/or dimensional errors. Typographical errors are subject to correction.

Note: Rough-in dimensions may vary +/- 1/2" and are subject to change. No responsibility is assumed by Maidstone.