

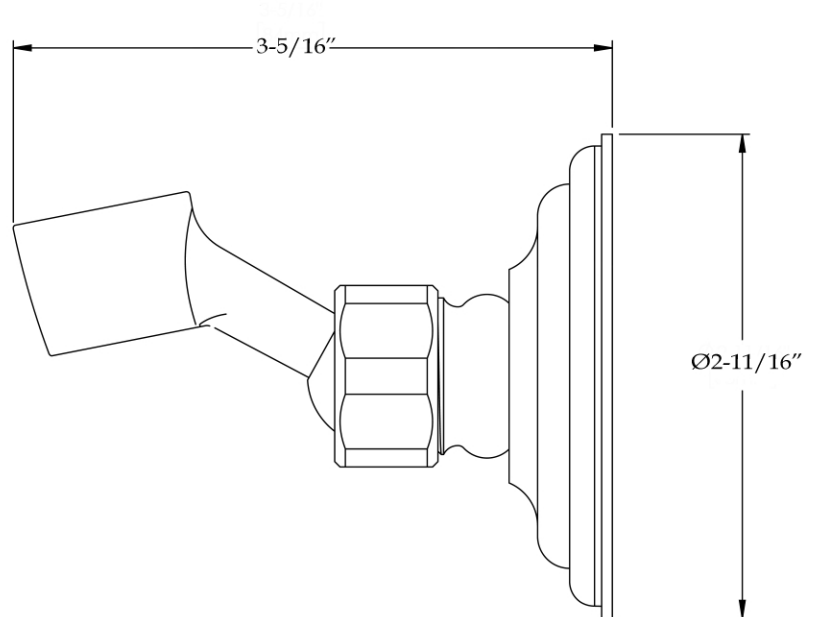
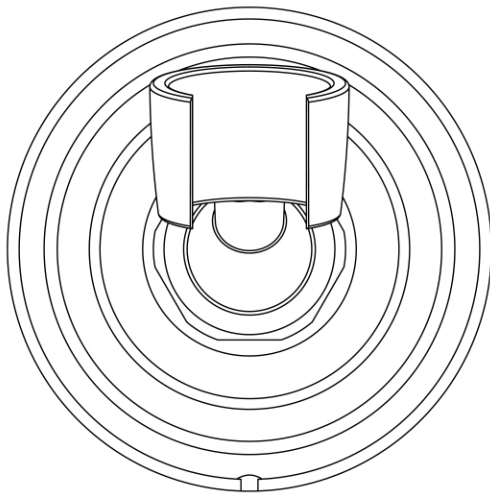


MAIDSTONE

[www.MaidstoneSupply.com](http://www.MaidstoneSupply.com)

Wall Mounted Shower Hand Holder

Part No: 125-SH



Contact Maidstone for additional information and specifications. For complete warranty information and a list of dealers visit [www.MaidstoneSupply.com](http://www.MaidstoneSupply.com). All products and specifications are subject to change without notice. Maidstone is not responsible for typographical and/or dimensional errors. Typographical errors are subject to correction.

Note: Rough-in dimensions may vary +/- 1/2" and are subject to change. No responsibility is assumed by Maidstone.

17-07-2024