

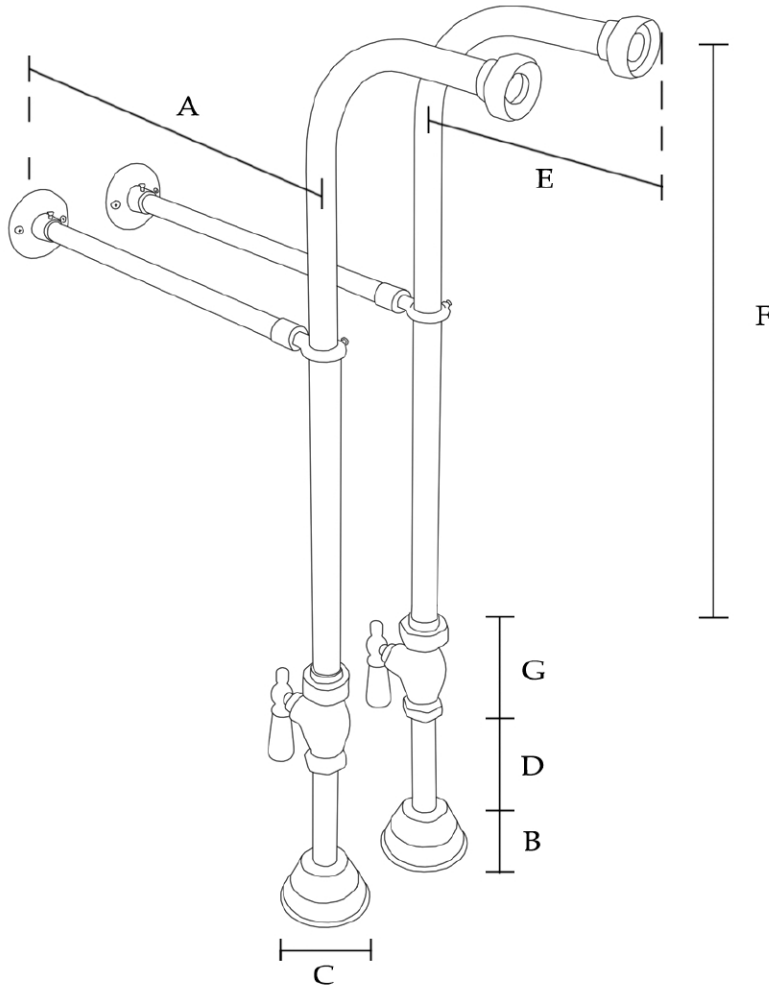


MAIDSTONE

www.MaidstoneSupply.com

Tub Supply Lines

Part No: 123SO3-S



(A) Brace: 13-1/2" L	(D) Nipple: 7-1/2" L *	(G) Valve: 3-3/4" H
(B) Flange: 1-3/4" H	(E) Throw: 4" L	
(C) Flange: 3" OD	(F) Tube: 19-1/2" L	

* (D) Also included are 3", 6" or 9" L nipples.

Contact Maidstone for additional information and specifications. For complete warranty information and a list of dealers visit www.MaidstoneSupply.com. All products and specifications are subject to change without notice. Maidstone is not responsible for typographical and/or dimensional errors. Typographical errors are subject to correction.

Note: Rough-in dimensions may vary +/- 1/2" and are subject to change. No responsibility is assumed by Maidstone.