

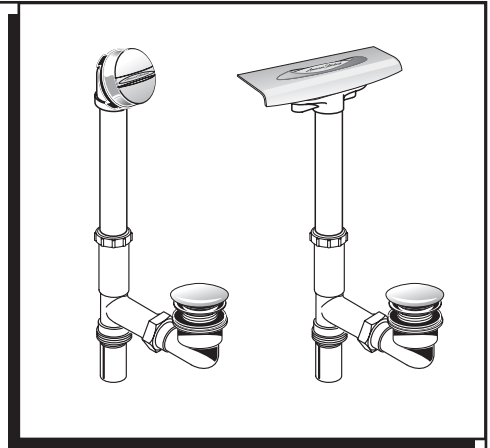
**LIFETIME UNIVERSAL DRAIN  
OVER THE RIM DRAIN  
AND STANDARD DRAIN**

**1599.500.XXX**

**BATH WASTE AND OVERFLOW  
WITH TOE TAPPER DRAIN PLUG**

*Thank you for selecting American-Standard...the benchmark  
of fine quality for over 100 years.*

*To ensure that your installation proceeds smoothly—please  
read these instructions carefully before you begin.*



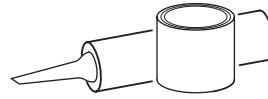
U.S. Patent No. 4,294,289, Patents Pending

753995-100 Rev. D

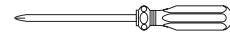
**RECOMMENDED TOOLS**



Channel Locks



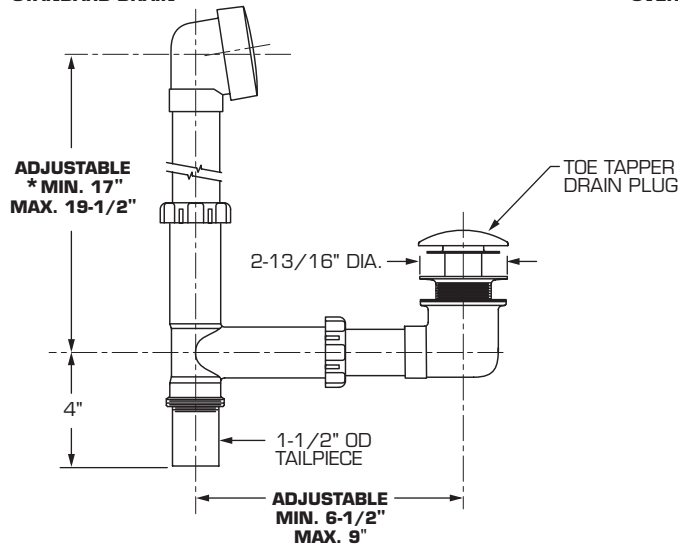
Plumbers' Putty or Caulking



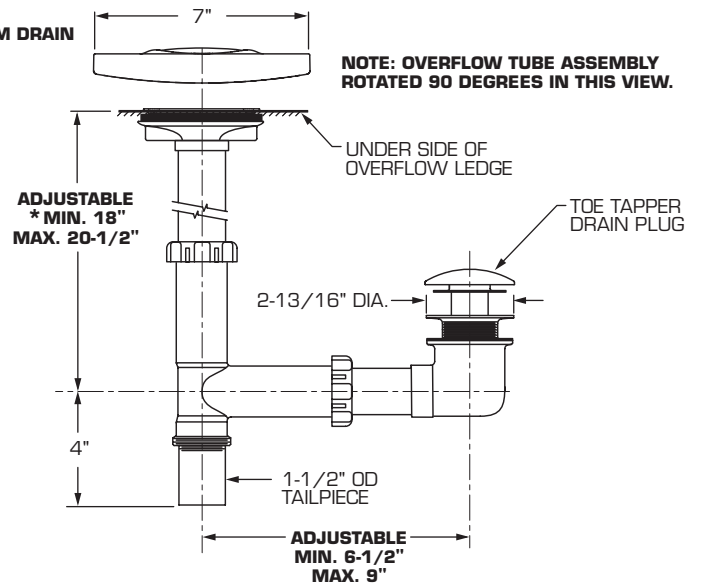
Phillips Screwdriver

**ROUGH-IN DIMENSIONS**

**STANDARD DRAIN**



**OVER-THE-RIM DRAIN**



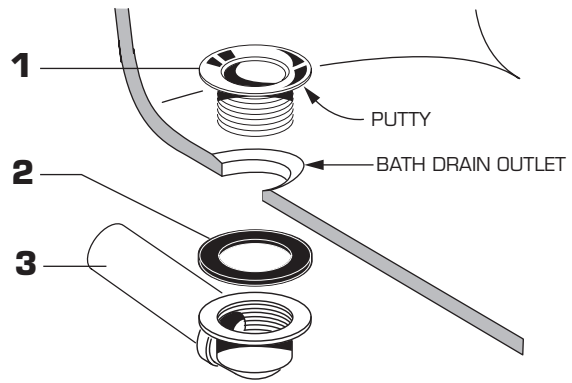
DRAIN NUMBER	BATH/WHIRLPOOL MODEL	OVERFLOW TYPE
1599-500	2422L 5' X 32"	OVER-THE-RIM
1599-500	2425L-RHO 5' X 32" IA-RHO	OVER-THE-RIM
1599-500	2425L-LHO 5' X 32" IA-LHO	OVER-THE-RIM
1599-500	2771L 5' X 36"	OVER-THE-RIM
1599-500	7236L 6' X 36"	OVER-THE-RIM
1599-500	6060L CORNER	STANDARD
1599-500	2645L OVAL	STANDARD
1599-500	2732 RENAISSANCE	STANDARD
1599-500	2901L SAVONA	STANDARD
1599-500	2908L REMINISCENCE	STANDARD
1599-500	2711L ELLISSE	STANDARD
1599-500	2773L CADET 6' X 36"	STANDARD
1599-500	2774L CADET 6' X 42"	STANDARD
1599-500	2775L CADET CORNER	STANDARD

\* NOTE: A smaller dimension can be accommodated by cutting pipe.

# 1 INSTALL DRAIN PLUG AND ELL (STANDARD AND OVER-THE-RIM DRAINS)

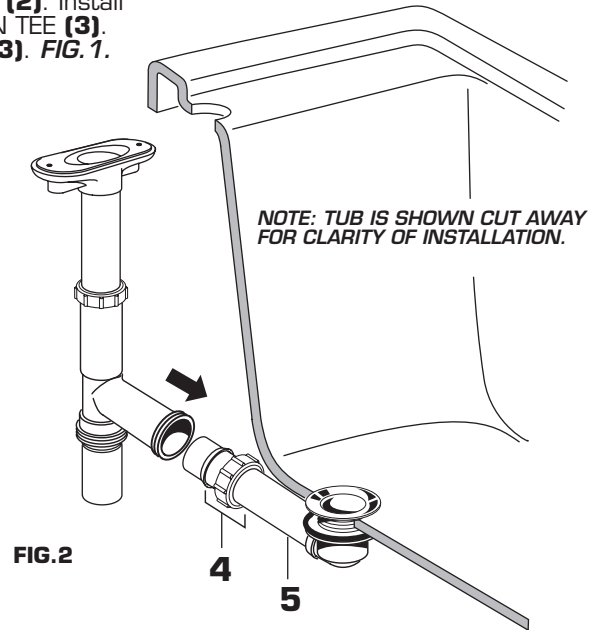
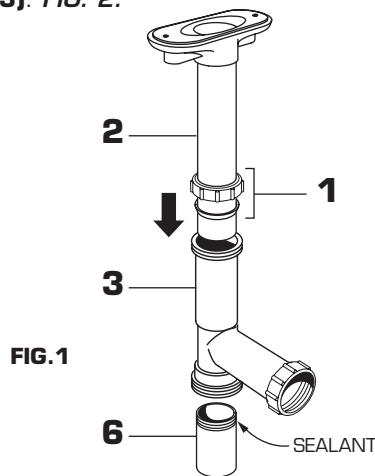
- Apply putty to underside of DRAIN PLUG (1) and drop into drain outlet.
- Slip RUBBER WASHER (2) on from below and thread DRAIN PLUG (1) into DRAIN ELL ASSEMBLY (3).

*NOTE: TUB IS SHOWN CUT AWAY FOR CLARITY OF INSTALLATION.*



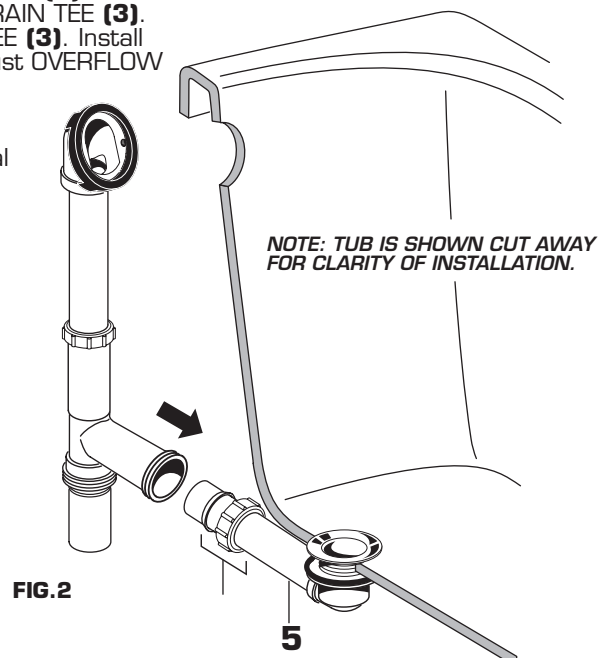
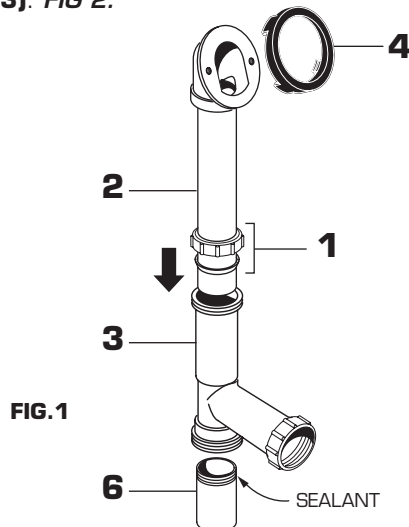
# 2 INSTALL OVERFLOW ASSEMBLY AND DRAIN TEE (OVER-THE-RIM DRAIN)

- Loosen SLIP JOINT NUT & SEAL (1) and install onto OVERFLOW TUBE (2). Install OVERFLOW TUBE ASSEMBLY (2) into the appropriate leg of the DRAIN TEE (3). Apply sealant to threads of TAILPIECE (6) and thread into DRAIN TEE (3). FIG. 1.
- Loosen SLIP JOINT NUT & SEAL (4) and install onto DRAIN ELL ASSEMBLY (5). Install DRAIN ELL ASSEMBLY (5) into the horizontal leg of the DRAIN TEE (3). FIG. 2.



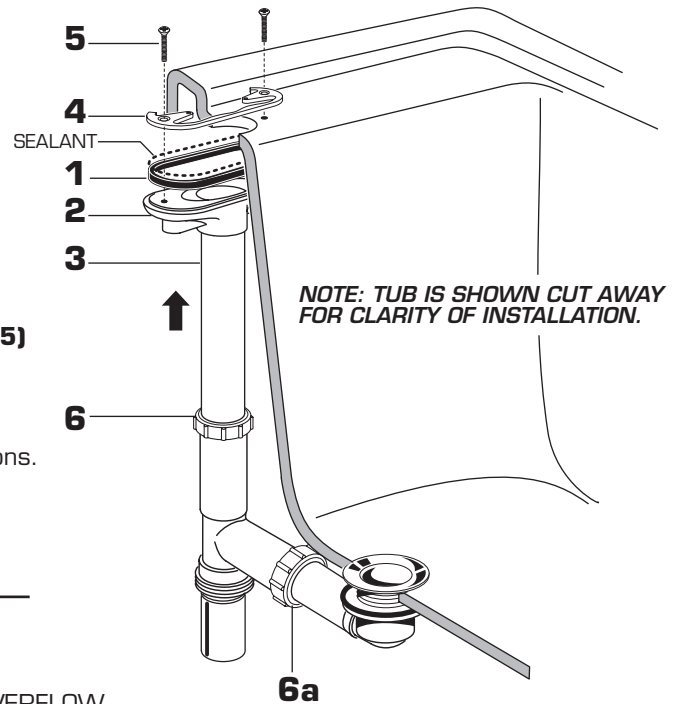
# 2a INSTALL OVERFLOW ASSEMBLY AND DRAIN TEE (STANDARD DRAIN)

- Loosen SLIP JOINT NUT & SEAL (1) and install onto OVERFLOW TUBE (2). Install OVERFLOW TUBE ASSEMBLY (2) into the appropriate leg of the DRAIN TEE (3). Apply sealant to threads of TAILPIECE (6) and thread into DRAIN TEE (3). Install OVERFLOW GASKET (4) to OVERFLOW TUBE ASSEMBLY (2). (Adjust OVERFLOW GASKET (4) to contour of tub. FIG. 1.
- Loosen SLIP JOINT NUT & SEAL (5) and install onto DRAIN ELL ASSEMBLY (6). Install DRAIN ELL ASSEMBLY (6) into the horizontal leg of the DRAIN TEE (3). FIG. 2.



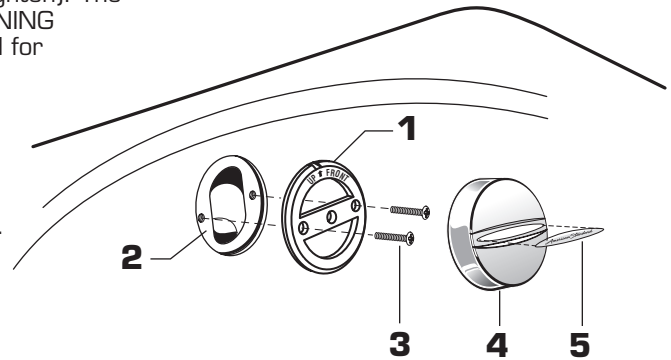
### 3 SECURE OVERFLOW ASSEMBLY TO TUB (OVER-THE-RIM DRAIN)

- Install OVERFLOW GASKET (1) onto OVER FLOW FLANGE (2) using two strips of double-face tape (included).
- Apply a bead of silicone sealant to upper edge of OVERFLOW GASKET (1).
- Push OVER FLOW TUBE ASSEMBLY (3) up flush against underside of ledge.
- Install and align mounting holes in RETAINING PLATE (4) with holes in OVER FLOW FLANGE (2). Insert MOUNTING SCREWS (5) through RETAINING PLATE (4) into OVER FLOW FLANGE (2). **Note: RETAINING PLATE (4) must be installed as shown with open side facing out.**
- Tighten SLIP JOINT NUTS (6, 6a) to make water tight connections.



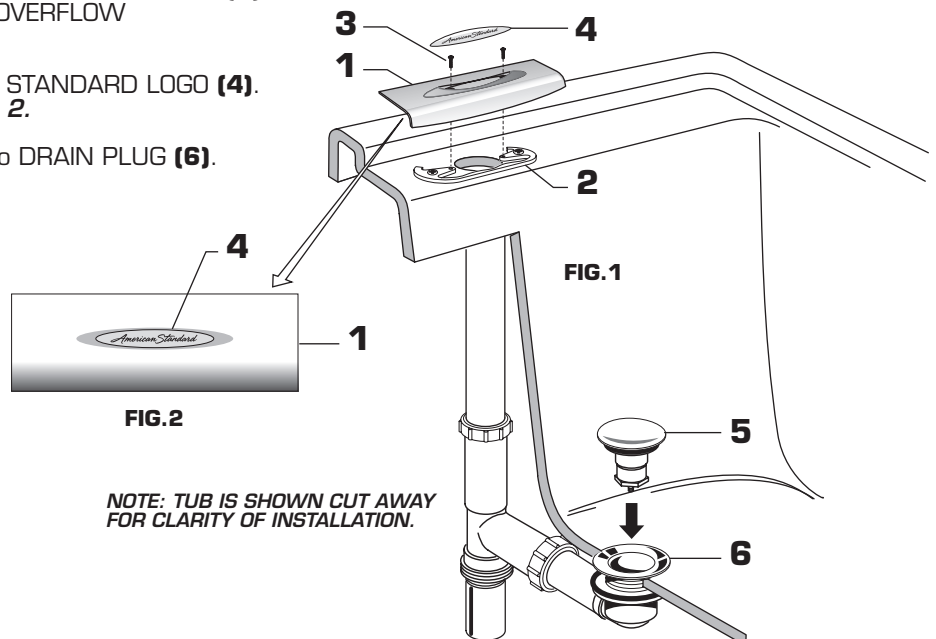
### 3a SECURE OVERFLOW ASSEMBLY TO TUB (STANDARD DRAIN)

- Align the holes in the RETAINING PLATE (1) with those in the OVERFLOW FLANGE (2). Install SCREWS (3), tighten snugly (do not over tighten). The overflow gasket (behind tub wall) will begin to seal as the RETAINING PLATE (1) becomes tighter. The overflow gasket can be rotated for desired fit.
- Align the ESCUTCHEON (4) with the RETAINING PLATE (1) and push onto RETAINING PLATE (1) until the ESCUTCHEON (4) snaps into place.
- Peel protective tape from the AMERICAN STANDARD LOGO (5). Align LOGO (5) and press into place.
- When you are satisfied with the overall fit of the drain, go back and tighten all joints to make a water tight seal.



### 4 INSTALL OVERFLOW ESCUTCHEON (OVER-THE-RIM DRAIN)

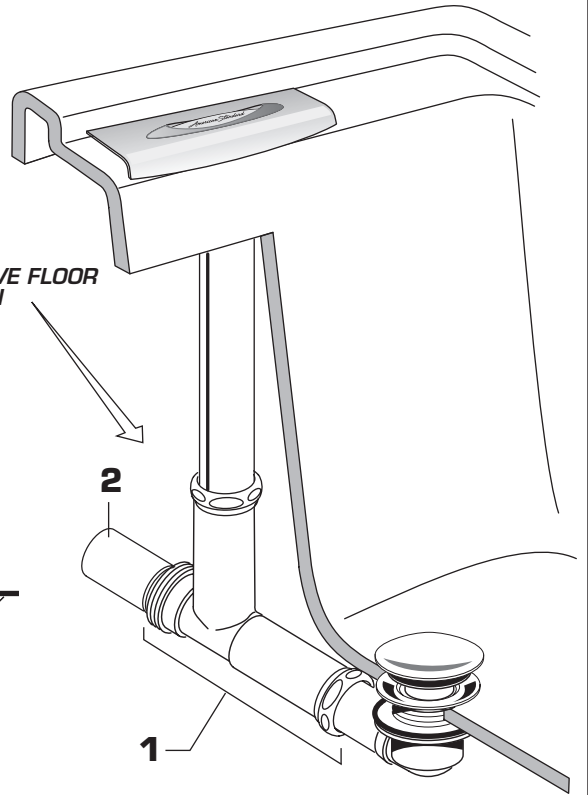
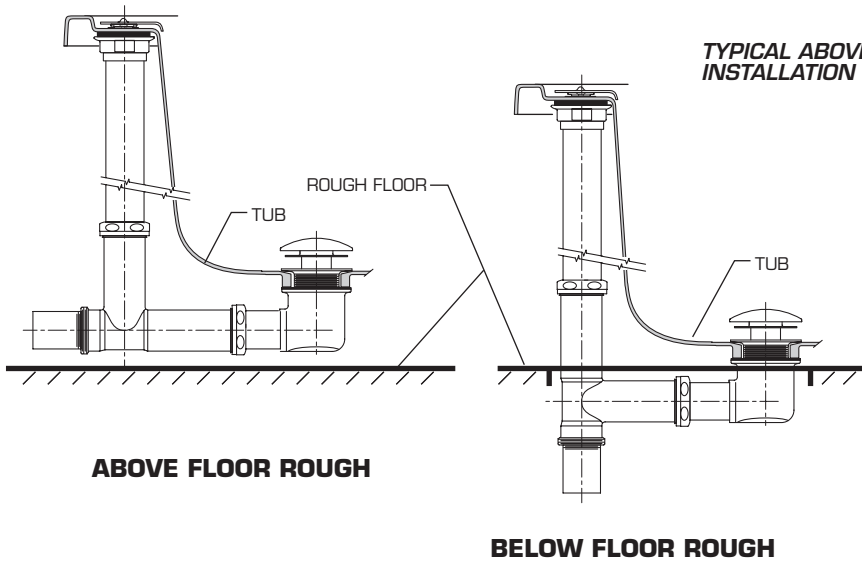
- Install OVERFLOW ESCUTCHEON (1) onto RETAINING PLATE (2). Use MOUNTING SCREWS (3) to secure OVERFLOW ESCUTCHEON (1). **Fig. 1.**
- Peel protective tape from the AMERICAN STANDARD LOGO (4). Align LOGO (4) and press into place. **Fig. 2.**
- Thread TOE TAPPER DRAIN PLUG (5) into DRAIN PLUG (6).



## 5 ABOVE FLOOR OUTLET INSTALLATION (OVER-THE-RIM DRAIN)

*Note: Waste outlet can be installed either above the floor or below floor. Fig. 1.*

- For above floor drain outlet, Rotate DRAIN TEE ASSEMBLY (1) 90 degrees so TAILPIECE (2) faces out the back from tub as shown.

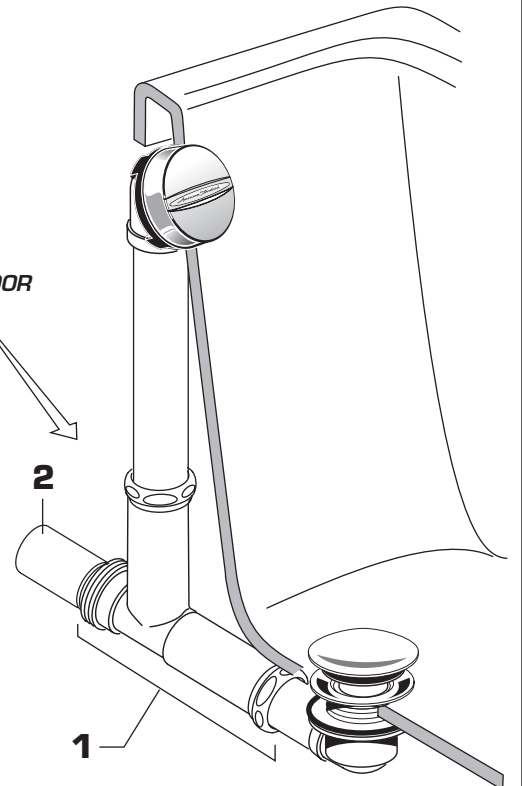
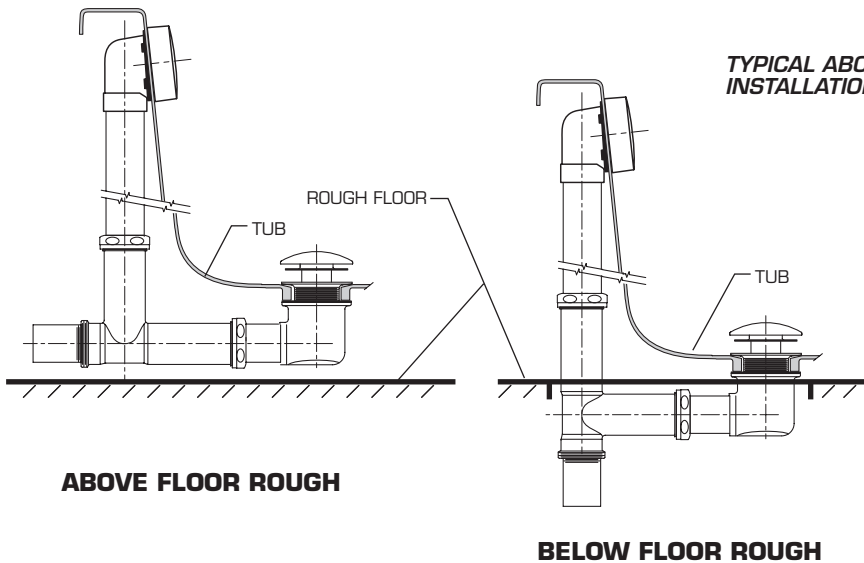


**NOTE: TUB IS SHOWN CUT AWAY FOR CLARITY OF INSTALLATION.**

## 5 ABOVE FLOOR OUTLET INSTALLATION (STANDARD DRAIN)

*Note: Waste outlet can be installed either above the floor or below the floor. Fig. 1.*

- For above floor drain outlet, Rotate DRAIN TEE ASSEMBLY (1) 90 degrees so TAILPIECE (2) faces out the back from tub as shown.

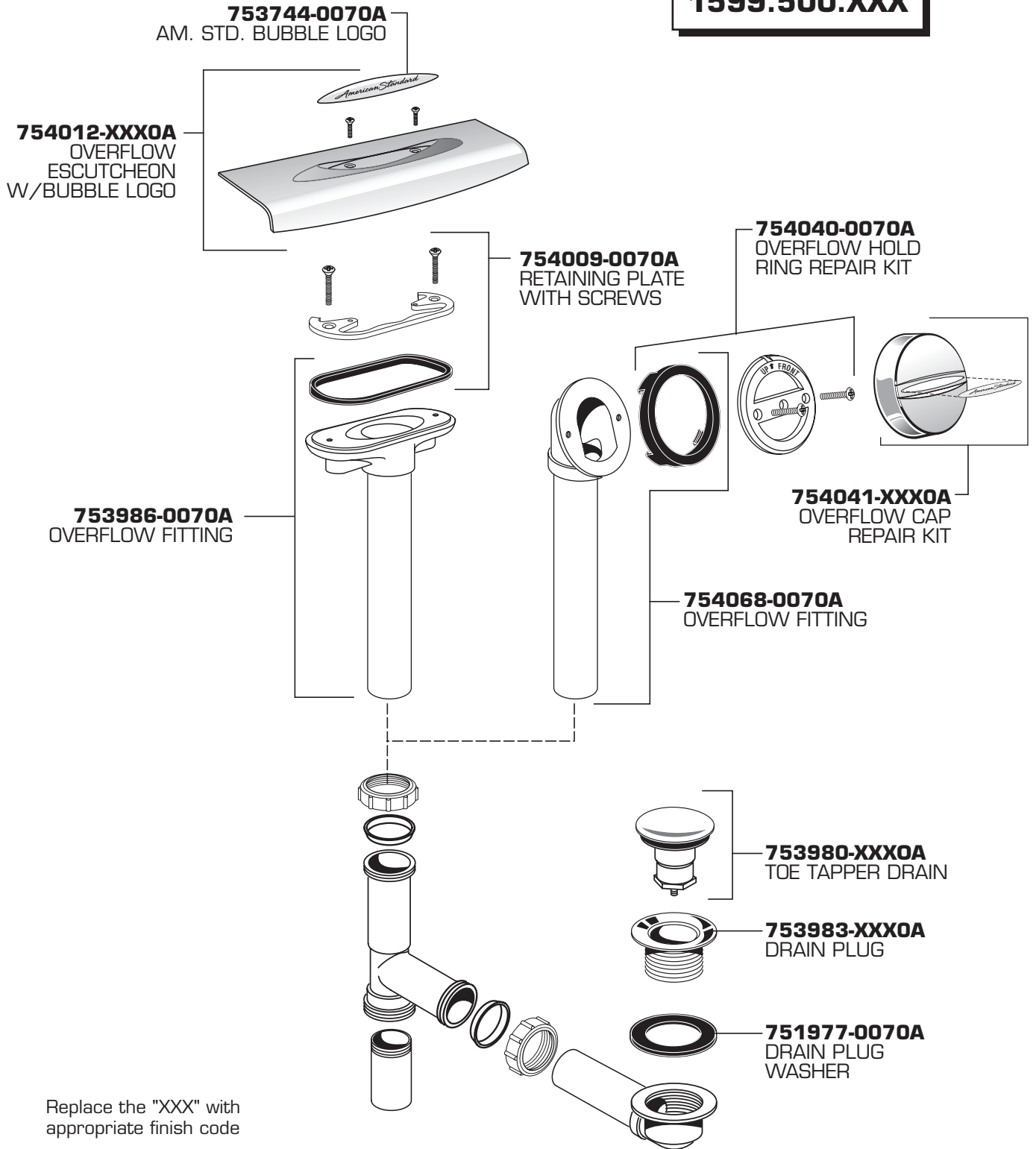


**NOTE: TUB IS SHOWN CUT AWAY FOR CLARITY OF INSTALLATION.**

**LIFETIME UNIVERSAL DRAIN  
OVER THE RIM DRAIN  
AND STANDARD DRAIN**

PRODUCT NUMBER

**1599.500.XXX**



Replace the "XXX" with appropriate finish code

WHITE	020
SATIN NICKEL	295