

TS6030-3W-A

inches

TUB SHOWERS

60 x 30 x 73



COLOR AND TRIM OPTIONS

Stock

White

FEATURES

- Tub Shower
- Smooth wall finish
- FHA reinforced backing for future grab bar placement
- Ergonomic backrest
- Ample shelf capacity
- Slip-resistant textured bottom
- Left or right hand drain
- AcrylX[®] applied acrylic surface
- Lifetime limited residential warranty

OPTIONS

- Available as fully configured with grab bars
- Reinforced for future grab bar placement

CODE COMPLIANCE

- HUD/FHA Design Manual Requirement 6*
- CSA B45.5-11/IAPMO Z124

*When ordered with factory installed reinforcement, product will meet or exceed the minimum coverage area and load requirements of ANSI section 609.8, when grab bars are installed within the reinforced area.

FLORESTONE
MADE FOR THE TRADE

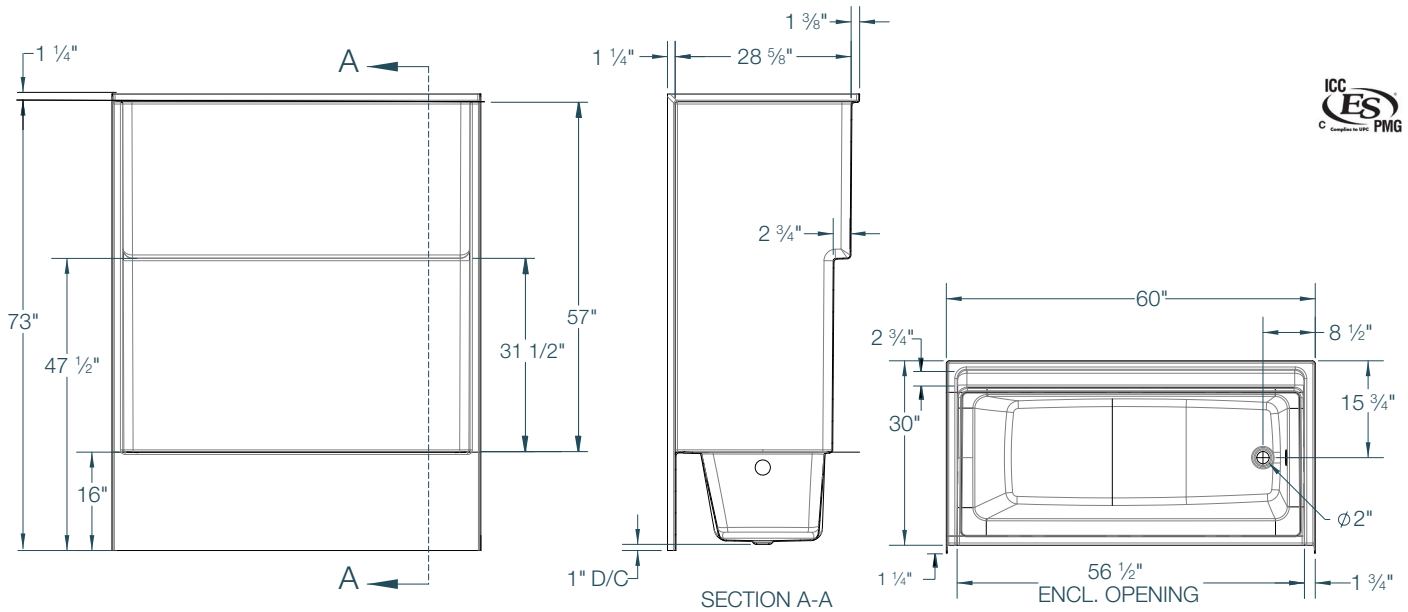


MADE IN USA
WITH GLOBAL MATERIALS

florestone.com

TS6030-3W-A

60 x 30 x 73 inches



FEATURES Dimensional Tolerance $\pm 1/4"$. Dimensions needed for site preparation should be measured from the unit. American Bath Group assumes no responsibility for preparatory work.

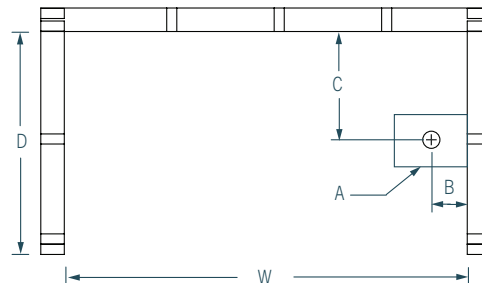
Model #	Material	Wall Finish	Jets	Motor	Controls	Drain	Net Wt.	Pkg. Wt.
Tub Shower #TS6030-3W-A	AcrylX®	Smooth	-	-	-	LH or RH	125	129

DIMENSIONS

Specifications	inches
Width: Overall / Net	60 / 56 1/2
Depth: Overall / Net	31 1/4 / 30
Height: Overall / Net	74 1/4 / 73
Enclosure Opening	56 1/2
Skirt Height	16
Drain Rough-In (from Back Wall)	15 3/4
Drain Rough-In (from Side Wall)	2 3/4
Drain: Diameter / Clearance	2 / 1

FRAMING DIMENSIONS inches

Type	D Depth	W Width	H Height	A	B	C
Alcove	31 1/4	60 1/4	-	Box Out	2 3/4	15 3/4



SUMP DATA

Top of Drain to Bottom of Overflow	Capacity to Overflow gal	Min. Operating Capacity gal	WIDTH @ centerline		DEPTH @ centerline	
			Top	Bottom	Top	Bottom
10 5/8	35.5	-	50 7/8	44 7/8	19 7/8	17 3/8



TS6030-3W-A

60 x 30 x 73 inches

REINFORCEMENT (FHA)

