

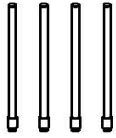
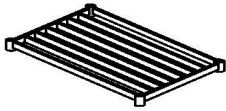
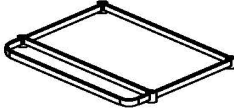

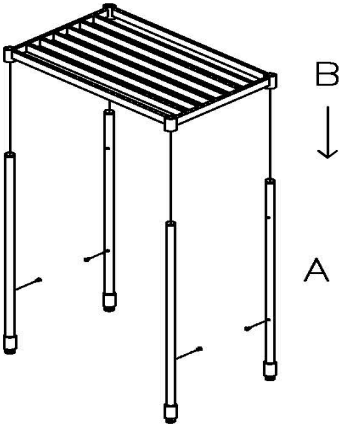
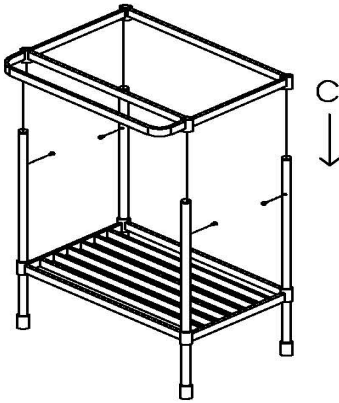
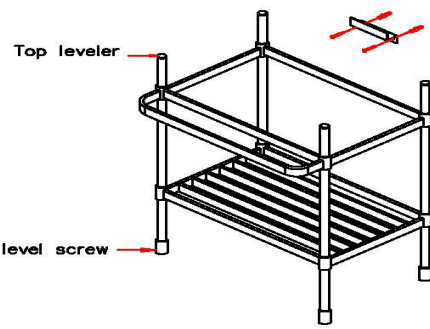
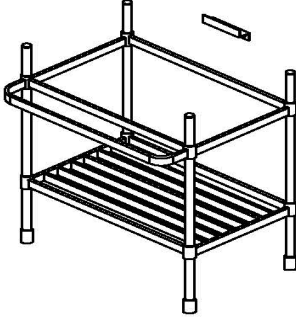




Console Sink Installation Guide

Before You Start

We recommend using a professional plumbing installer if you are unfamiliar with vintage style bathroom fixtures and plumbing. Maidstone will not be responsible for any damage to the floor, walls, plumbing, or personal injury during installation. Please review all local plumbing and building codes to be sure your purchase is code compliant for your area.

Tools Needed: Pencil, Screwdriver, Level, Drill, Silicone Sealant

Materials Included: M5x10 Bolt (8pcs), Allen Key, Screw (2pcs), Plastic Plug (2pcs)

A x4	B x1	C x1	D x1
			
<p>1</p>  <p>1ST STEP Connect legs (A) and shelf (B); Line up bolt holes, using Allen key, insert bolts, and hand tighten but slightly loose.</p>		<p>2</p>  <p>2ND STEP Assemble frame C onto AB. Tighten all bolts to make whole stand square, Adjust Top screw levelers and leg levelers to make stand level.</p>	
<p>3</p>  <p>Install D on the wall of corresponding height level screw</p>		<p>4</p>  <p>  M5x10 BOLT = 8 pcs  ALLEN KEY = 1 pcs  Screw = 2 pcs  Plastic plug = 2 pcs </p>	

Console Sink Installation Guide

CONSOLE SINK INSTALLATION

BEFORE INSTALLING

Read entire Console Sink Installation Instructions. Observe all local building and safety codes.

INSTRUCTIONS

Unpack and inspect the product for any shipping damages. If you find damages, do not install.

TOOLS AND MATERIALS:



Pencil



Screwdriver



Level



Drill



Silicone Sealant

BACKSPLASH

For counters with a backsplash, apply silicone to the backsplash's edge and wall-facing side. Position the backsplash to the rear of the counter and against the wall. Allow silicone to dry.

INSTALLATION

1. Once assembled, place the sink stand against the wall and in line with wall studs or wood blocking. Make sure the stand is level. If needed, adjust the small screws under each leg to level.
2. Mount the flanges to the wall with the included screws. Each flange has three screws.
3. Apply a thin coat of silicone to the tops of the sink stand where the vanity top will rest.
4. Carefully place the vanity top on the sink stand, center it and allow silicone to dry for 24 hours.
5. Proceed to installing your faucet, drain, and plumbing fixtures to complete the installation.

