



WALL-MOUNT SHOWER SYSTEM INSTALLATION

BEFORE YOU BEGIN:

We recommend consulting a professional if you are unfamiliar with installing plumbing fixtures. We accept no liability for any damage to the faucet, plumbing, sink, counter top, to personal injury during the installation.

CAUTION:

Always turn water OFF before removing existing or disassembling the faucet. Open faucet handles to relieve water pressure and ensure that complete water shut-off has been accomplished.

HELPFUL TOOLS:



Teflon Tape



Adjustable Wrench



Level



Thread Sealant



Pencil or Marker



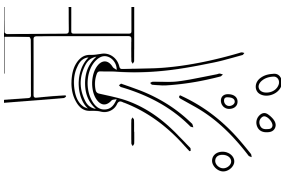
Drill

NOTICE:

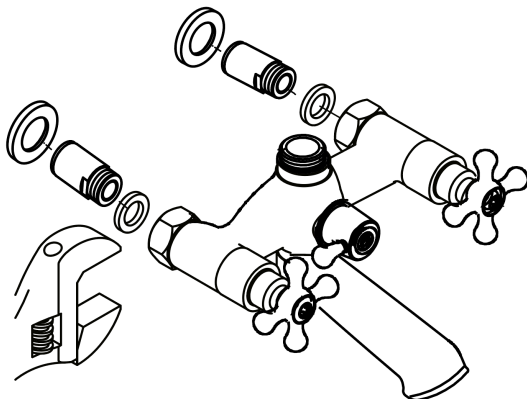
1. Shut off the main water supply where the new faucet is being installed.
2. For these instructions, it is assumed the floor has been finished and the water supply has been prepared.

INSTALLATION:

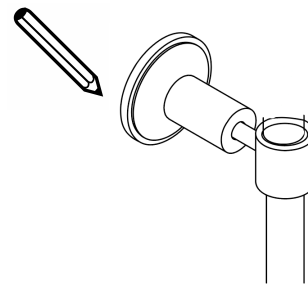
1. Flush plumbing lines to clear any debris. Then shut off both supply line after flushing.



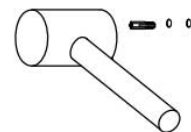
2. Place the escutcheons on the elbows. Wrap the elbows with teflon tape, and thread the connectors onto the supply pipes. Attach the faucet body to the elbows tighten with your adjustable wrench.



3. Attach the connecting rod to the middle shower riser. Attach the shower riser to the shower body. Use a level to measure that shower riser is in the proper location. Hold the mounting bracket in place in the desired mounting location, and mark the location on the wall.



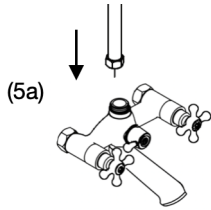
4. Remove the shower riser, and drill two holes at the marked locations. Insert the wall anchors. Attach the mounting bracket to the wall with mounting screws. Attach the escutcheon to the mounting bracket.



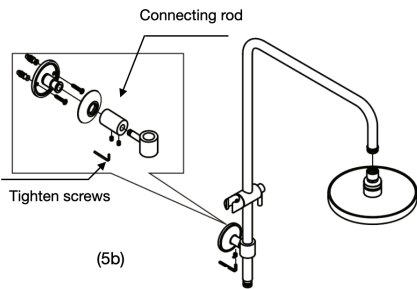
WALL-MOUNT SHOWER SYSTEM INSTALLATION

5. Attach the shower riser.

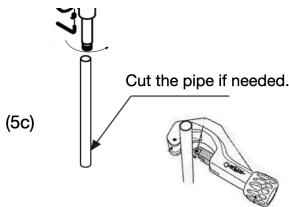
5a. Connect the bottom riser to the shower body.



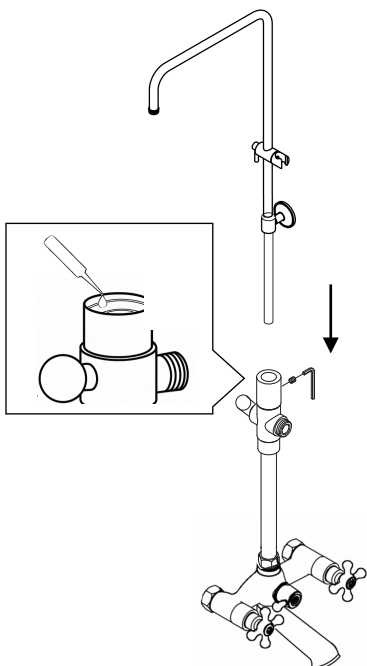
5b. Adjust the connecting rod to the proper distance. Attach hand shower bracket on to the riser. Then insert the 7-shape riser into the connecting rod, and tighten the screw.



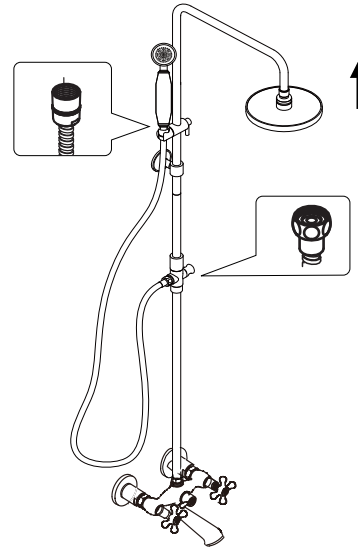
5c. Connect the middle riser to the 7-shape riser. Cut the pipe of desired size if needed. After cutting, be sure to deburr the edge.



5d. Apply silicone grease to the 5a connector. Then insert the 5b. and 5c. into the 5a.



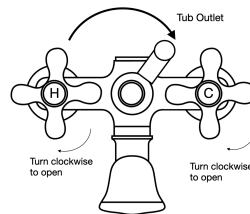
7. Attach the showerhead, handshower and shower hose. Attach the conical nut to the handshower and the hex nut to the diverter valve.



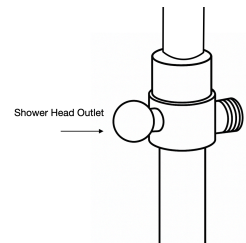
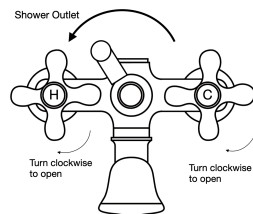
8. Turn on the water supply and open the faucet valves. Check for any leaks and verify that the hot and cold supplies are working correctly.

9. Outlet Selection Instruction:

A. Tub Outlet



B. Shower Head Outlet



C. Handshower Outlet

