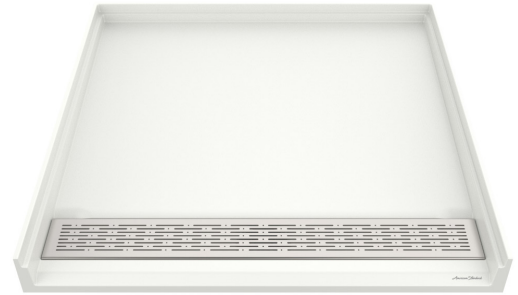


38" x 38" (36" x 36" Clear) ADA SOLID SURFACE SHOWER BASE

- D14-3838AM-FCOL Barrier Free Front Center Drain with Trench Cover

Product Features:

- Durable 100% solid, non-porous material
- Smooth matte surface
- Integral 3-sided 1" tiling / water retention flange for easy installation
- Repairable and renewable surface
- Does not support bacteria and fungi growth
- Self-extinguishing
- UV resistant
- Resistant to stains and impact
- Easy maintenance and cleaning
- ADA Compliant when installed according to ADA guidelines
- Drain not included



SEE REVERSE SIDE FOR ROUGHING-IN DIMENSIONS

Nominal Dimensions:

38" x 38" x 1-3/8"
(965 x 965 x 34mm)

Shower Base Includes:

- Removable Brushed Stainless Steel trench drain cover

Compliance Certifications -

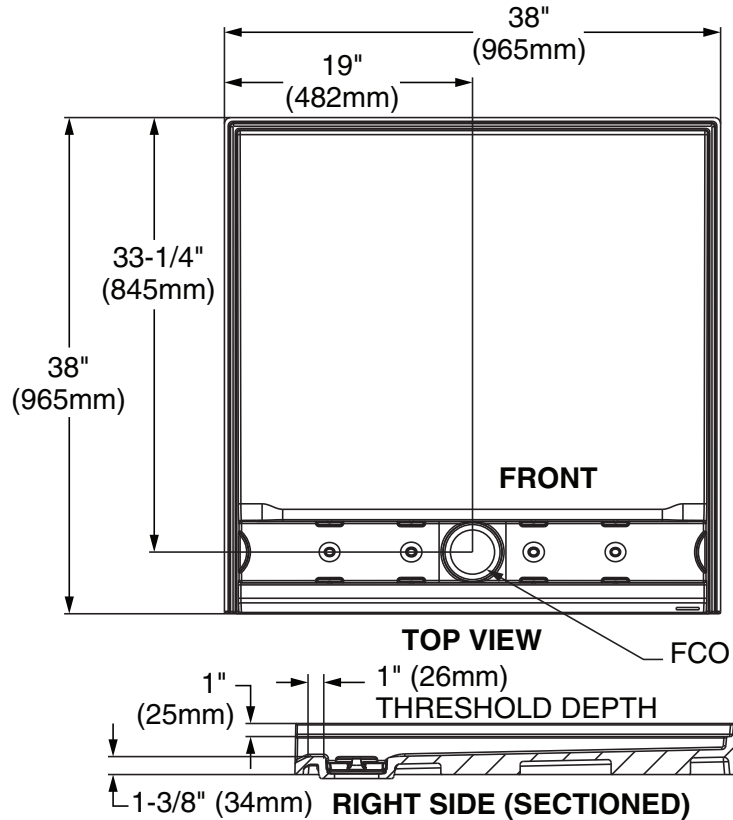
Meets or Exceeds the Following Specifications:

- CSA B45.5 / IAPMO Z124
- cUPC
- ASTM F462 (Pass w/COF=0.44)
- ASTM C1028
 - COF Dry = 0.66
 - COF Wet = 0.56

Flame & Smoke

- ASTM E84
 - Flame Spread Index = 0
 - Smoke Index = 20
- CAN/ULC S102.2
 - Flame Spread Rating = 0
 - Smoke Developed Classification = 15

**D14-3838AMFCOL
Barrier Free Front Center Drain with
Trench Cover**



GENERAL SPECIFICATIONS FOR D14-3838AM SHOWER BASE	
INSTALLED SIZE	965mm x 965mm (38 x 38 In.)
WEIGHT	39.7 Kg. (87 Lbs.)
SHOWER WELL AT SUMP	901mm x 902mm (35-1/2 x 35-1/2 In.)
SHOWER WELL AT RIM	924mm x 914mm (36-3/8 x 36 In.)
FLOOR LOADING (PROJECTED AREA)	43 Kgs/Sq. m. (9 Lbs./Sq. Ft.)