

INSTALLATION INSTRUCTIONS

FREESTANDING TUB

HIGH GLOSS ACRYLIC SURFACE

Models: 220AS9004

To ensure that your installation proceeds smoothly--please read these instructions carefully before you begin.

BEFORE YOU BEGIN....

Local building codes vary by location. Observe all local plumbing and building codes.

Your new bath is shipped to you after careful inspection.

To ensure maximum performance and pleasure from this product, please follow the instructions and cautions.

▲ NOTE: Take extra care in handling surfaces of the bath. Use only non-abrasive cloths to avoid scratching.

TOOLS & MATERIALS REQUIRED

TOOLS:

- Level
- Square
- Tape Measure
- Pipe Wrench
- Slip Joint Pliers

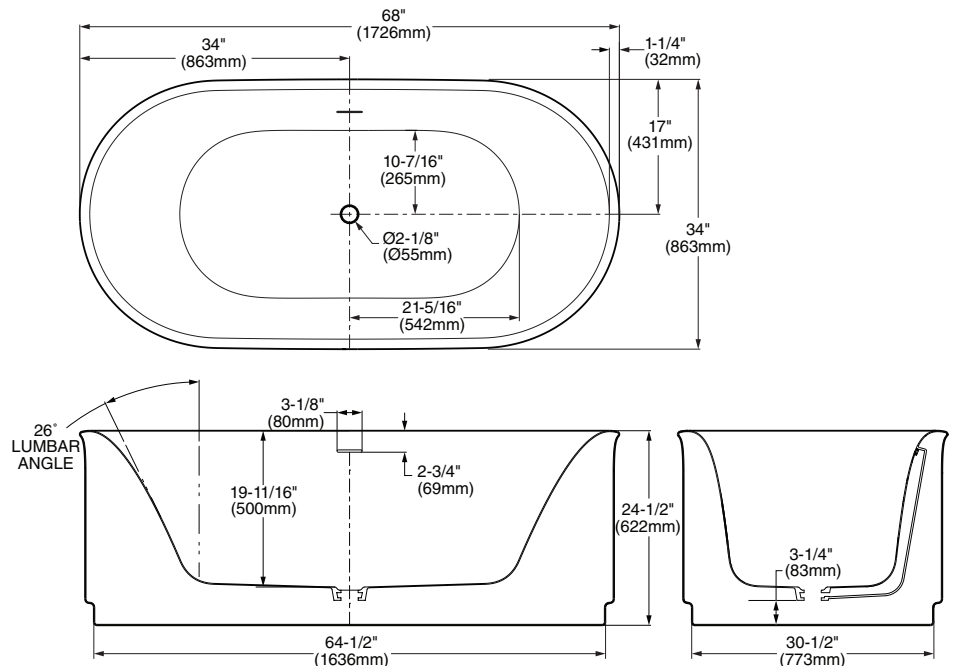
- Standard Woodworking Tools
- Personal Safety Equipment
- Caulking Gun

MATERIALS:

- Silicone Caulking
- Tub & Tile Caulk

ROUGH-IN INFORMATION: FREESTANDING TUB

Model ELSON



Note: An access panel must be provided to facilitate the connection of the drain to the drain/waste outlet.

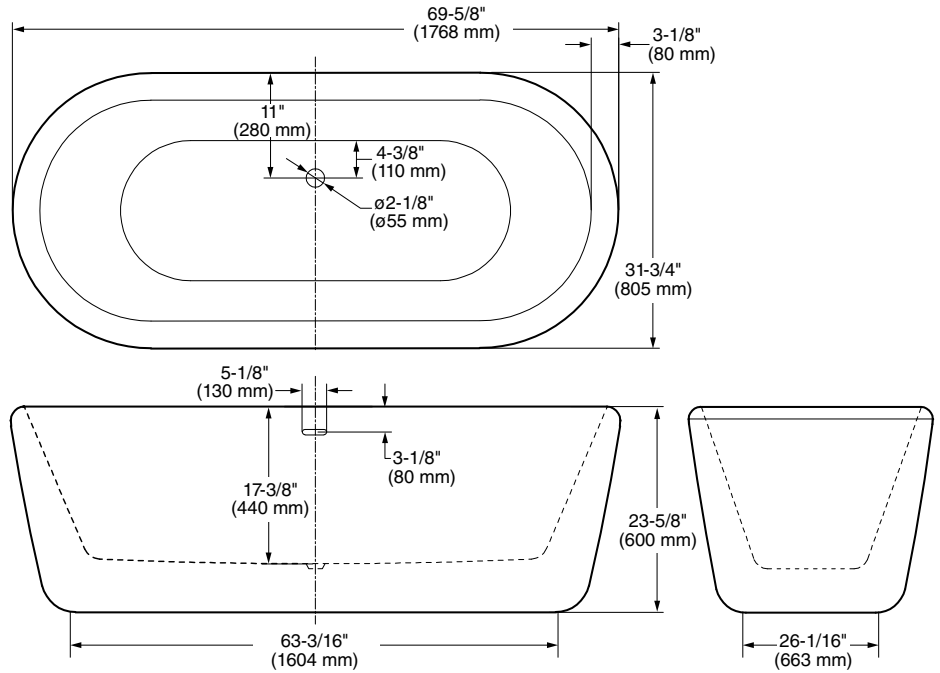
Access must be made through the floor below the tub.

Using the OS&B® Island Tub Drain or similar product may eliminate the need for an access panel. Refer to the manufacturer's installation instructions for details.

Drain not included, sold separately.

GENERAL SPECIFICATIONS FOR FREE STANDING BATH	
INSTALLED SIZE	68 x 34 x 24-1/2 in. (1726 x 863 x 622mm)
WEIGHT	145 Lbs. (66 Kg.)
WEIGHT w/WATER	710 Lbs. (322 Kg.)
GAL. TO OVERFLOW	68 Gal. (257L)
BATHING WELL AT SUMP	42-5/8 x 20-7/8 In. (1083 x 530mm)
BATHING WELL AT RIM	65-1/2 x 31-1/2 In. (1662 x 799mm)
WATER DEPTH TO OVERFLOW	17 In. (431mm)
FLOOR LOADING (PROJECTED AREA)	32 Lbs./Sq.Ft. (155 Kgs./Sq.m)

**ROUGH-IN INFORMATION:
FREESTANDING TUB
Model 2767**



Note: An access panel must be provided to facilitate the connection of the drain to the drain/waste outlet.

Access must be made through the floor below the tub.

Using the OS&B® Island Tub Drain or similar product may eliminate the need for an access panel. Refer to the manufacturer's installation instructions for details.

GENERAL SPECIFICATIONS FOR 2767 FREE STANDING BATH	
INSTALLED SIZE	69-5/8 x 31-3/4 x 23-5/8 in. (1768 x 806 x 600mm)
WEIGHT	112 Lbs. (51 Kg.)
WEIGHT w/WATER	484 Lbs. (220 Kg.)
GAL. TO OVERFLOW	58 Gal. (220 L)
BATHING WELL AT SUMP	44-7/8 x 16 In. (1140 x 406mm)
BATHING WELL AT RIM	63-3/8 x 25-1/2 In. (1610 x 648mm)
WATER DEPTH TO OVERFLOW	14-1/4 In. (362mm)
FLOOR LOADING (PROJECTED AREA)	32 Lbs./Sq.Ft. (155 Kgs./Sq.m)

1

INSTALLATION INSTRUCTIONS:

Place the tub on a finished, level floor in the desired location.

Using an erasable pencil or marker, trace the outline of the base of the tub on the floor. (See Fig. 1)

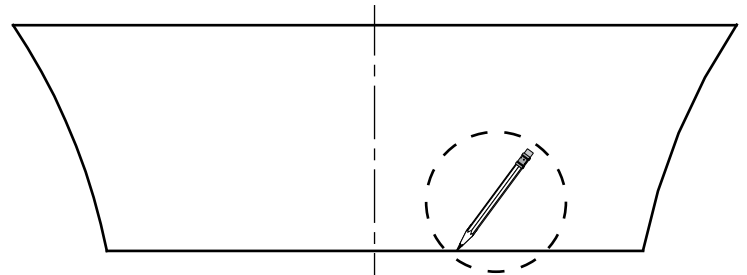


FIG. 1

2

Using the adjustable feet on the underside of the tub, ensure that the tub is level.

Ensure that there is a gap between the tub base and the floor. Gap shall not exceed 3/16" (5mm). (See Fig. 2)

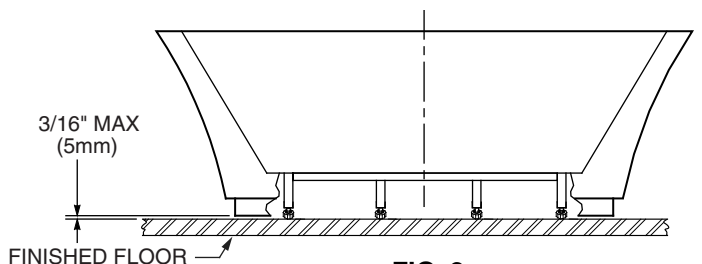


FIG. 2

3

Remove the tub.

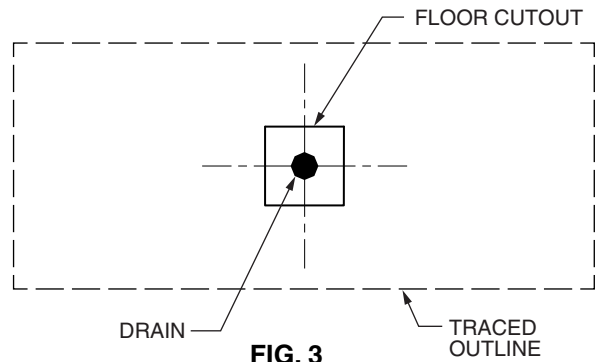
Using the traced outline for reference, confirm that the drain/waste outlet in the floor will align with the tub drain outlet.

(Tub drain outlet will be located in the center of the traced outline. See Fig. 3)

Note: The drain/waste outlet must be installed in accordance with all local building codes.

All drain connections must be made using an access created beneath the tub.

Using the OS&B® Island Tub Drain or similar product may eliminate the need for an access panel. Refer to the manufacturer's installation instructions for details.

**FIG. 3****4**

INSTALLING THE 1-1/2" DIAMETER TAIL PIECE ASSEMBLY INTO P-TRAP

The tail piece assembly, consisting of tail piece, drain strainer gasket and slip-joint nut used to connect the the tub drain to the drain/waste outlet, shall be provided by the installer.

A slip-joint nut, drain strainer gasket and a flanged, 1-1/2" (38mm) diameter tail piece is recommended. (See Fig. 4)

Slide the slip-joint nut over tail piece towards the flanged end as shown.

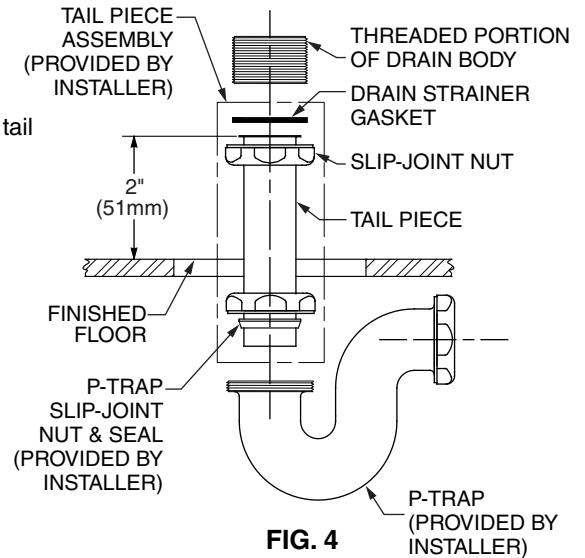
Slide the P-trap slip-joint nut and seal over the tail piece as shown.

Insert the tail piece into the P-trap.

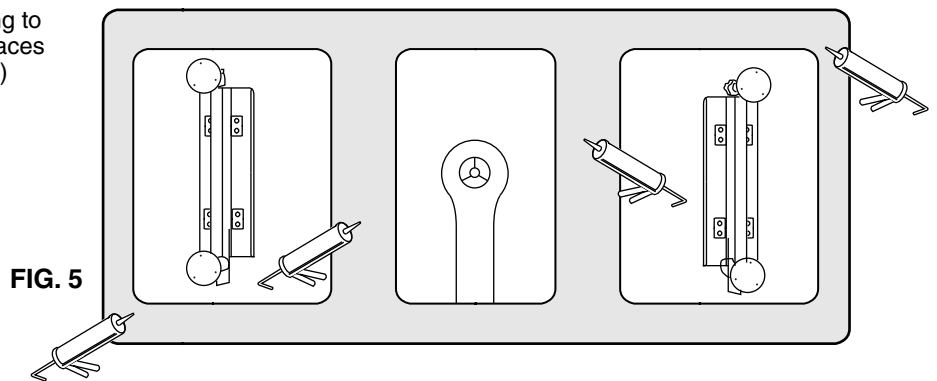
The flange of the tail piece should be approximately 2" (51mm) above the finished floor when fully inserted to the P-trap.

The tail piece can be cut if necessary.

Note: If using the OS&B® Island Tub Drain or similar product, the tail piece should not be cut. Refer to the manufacturer's installation instructions for details.

**FIG. 4****5**

Apply a generous bead of silicone caulking to the base of the tub including the cross-braces (if cross-braces are present). (See Fig. 5)

**FIG. 5****6**

Carefully set the tub into position. Ensure that drain strainer gasket is fully seated against the tail piece flange.

Connect the tailpiece to the tub drain. Tighten all of the drain connections. Remove any excess caulking where the tub meets the floor.

Note: Connecting the tailpiece assembly and the drain will require access from beneath the tub. If using the OS&B® Island Tub Drain or similar product, follow the drain connection instructions provided by the manufacturer.

7

Fill the tub with water and drain. Check for leaks and re-tighten connections as necessary.

8

Apply a bead of Tub & Tile caulk around the bottom edge of the tub where it meets the floor. Remove any excess caulking.

POST INSTALLATION CLEAN-UP

Remove all construction debris from bath.

Do not use wire brushes or any other metal implement on bath surface.

Post installation clean-up generally can be completed using warm water and liquid dishwashing detergent. Stubborn dirt or stains may be removed using granular Spic and Span® mixed with water.

Painter's naphtha can be used to remove excess adhesives and/or wet oil-base paint.

FEATURES of YOUR NEW AMERICAN STANDARD BATHTUB

Your new bathtub has been molded in the newest plumbing fixture material available today. The unit has a tough durable finish that is simple and easy to care for.

The colors have been formulated to enhance your choice of bathroom decorations. The high gloss surface is resistant to impact and chemicals and will retain its lasting luster with proper care and maintenance.

AFTERCARE and CLEANING

- Always fill the tub with temperate water. Excessively hot water may cause surface damage.
- Remove bath mat after use and hang to dry. Allowing bath mat to dry in the tub may cause surface damage.
- Clean after use with a mild liquid household detergent cleaner. Abrasive cleaners such as Lestoil®, Lysol® Disinfectant (spray or concentrate), or Lysol® Basin, Tub and Tile Cleaner, Windex®, Mr. Clean®, Dow® Disinfectant Bathroom Cleaner, or cleaning products in aerosol cans should not be used.

HARSH CHEMICALS SHOULD NEVER BE USED ON ACRYLIC SURFACES.

- Do not use wire brushes, knives or sharp objects to remove stains, cigarette tar deposits, or other surface blemishes.
- Abrasive cleaners or powders must not be used, since they will dull the surface. If the glossy surface loses its sheen, dulled areas can be restored by rubbing with a white polishing compound and waxing with a "liquid wax."
- **Do not wax areas where you walk or stand.**
- Do not allow nail polish remover, acetone, dry cleaning fluid, paint remover or other solvents to come into contact with the surface.
- Clean the surrounding surface immediately after using caustic drain cleaners.
- Burning cigarettes will damage the surface.
- Should damage to the fixture occur, repairs can be made. Your distributor or builder can provide details.

OS&B® is a registered Trademark of Oakville Stamping and Bending Ltd.
SPIC AND SPAN® is a registered trademark of The Spic And Span Company
LESTOIL® is a registered trademark of the Clorox Company
LYSOL® is a registered trademark of Reckitt Benckiser

WINDEX® is a registered trademark of S.C. Johnson & Son, Inc
MR. CLEAN® is a registered trademark of Agile Pursuits Franchising, Inc.
DOW® is a registered trademark of Dow Chemical Company