

GAVYN FREESTANDING TUB

❑ 220AS6034

❑ **Product Features:**

- Clean transitional design
- High-gloss cast acrylic
- Soaking tub with deep bathing well
- Center toe-top drain
- Large slotted overflow for deep soaking
- Integrated tub drain with removable chrome overflow cover
- Removable overflow design, replacement finishes available
- Adjustable leveling feet
- Limited Lifetime warranty

**Nominal Dimensions:**

62-3/4" x 29-7/8" min. x 22-7/8"  
(1594 x 759 min. x 581mm)

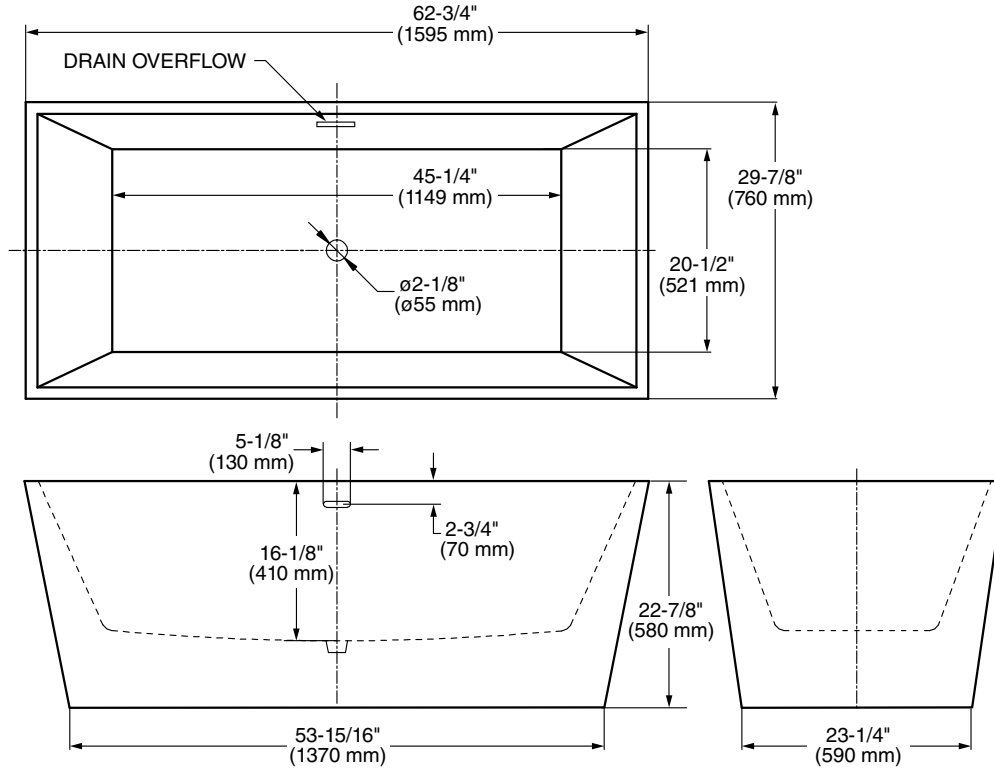
**Compliance Certifications -**

**Meets or Exceeds the Following Specifications:**

- IAPMO Z124-2011
- CSA B45.5-11
- cUPC



SEE REVERSE SIDE FOR ROUGHING-IN DIMENSIONS  
AND PRODUCT SPECIFICATIONS



<b>GENERAL SPECIFICATIONS FOR FREE STANDING BATH</b>	
INSTALLED SIZE	62-3/4 x 29-7/8 x 22-7/8 in. (1594 x 759 x 581 mm)
WEIGHT	103 Lbs. (47 Kg.)
WEIGHT w/WATER	605 Lbs. (274 Kg.)
GAL. TO OVERFLOW	72 Gal. (273 L)
BATHING WELL AT SUMP	45-1/4 x 20-1/2 In. (1149 x 521mm)
BATHING WELL AT RIM	60 x 27-1/8 In. (1524 x 689mm)
WATER DEPTH TO OVERFLOW	13-3/8 In. (340mm)
FLOOR LOADING (PROJECTED AREA)	47 Lbs./Sq.Ft. (227 Kgs./Sq.m)

**NOTES:**

■ REFER TO INSTALLATION INSTRUCTIONS SUPPLIED WITH BATHTUB FOR ADDITIONAL INFORMATION.

**IMPORTANT:** Dimensions of fixtures are nominal and may vary within the range of tolerances established by ANSI Standard Z124.1.2. These measurements are subject to change or cancellation. No responsibility is assumed for use of superseded or voided leaflet.