

BRISA FREESTANDING TUB

☐ 220AS5034

☐ **Product Features:**

- Sleek contemporary design
- High-gloss cast acrylic
- Center toe-tap drain
- Large slotted overflow for deep soaking
- Integrated tub drain with removable chrome overflow cover
- Removable overflow design, replacement finishes available
- Adjustable leveling feet
- Limited Lifetime warranty

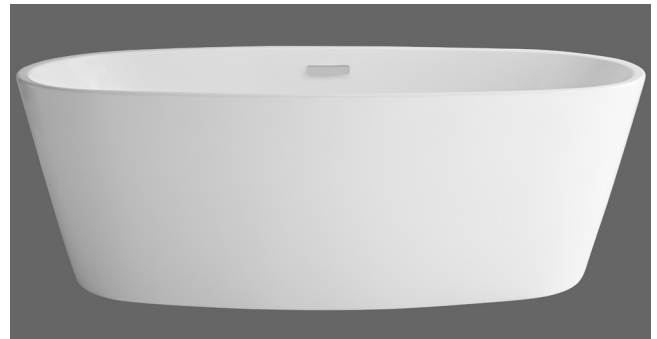
Nominal Dimensions:

68-3/4" x 31-1/4" x 23-5/8"
(1746 x 794 x 600mm)

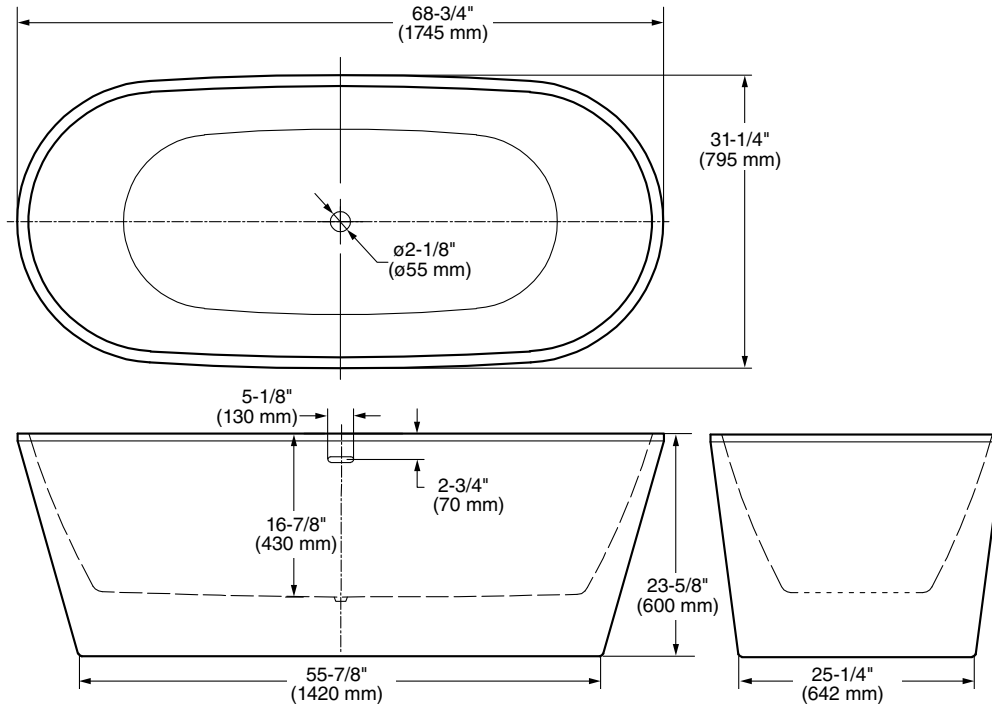
Compliance Certifications -

Meets or Exceeds the Following Specifications:

- IAPMO Z124-2011
- CSA B45.5-11
- cUPC



SEE REVERSE SIDE FOR ROUGHING-IN DIMENSIONS AND PRODUCT SPECIFICATIONS



GENERAL SPECIFICATIONS FOR FREE STANDING BATH	
INSTALLED SIZE _____	68-3/4 x 31-1/4 x 23-5/8 in. (1746 x 794 x 600mm)
WEIGHT _____	97 Lbs. (44 Kg.)
WEIGHT w/WATER _____	594 Lbs. (270 Kg.)
GAL. TO OVERFLOW _____	71 Gal. (269 L)
BATHING WELL AT SUMP _____	46-1/8 x 20-1/8 In. (1172 x 511mm)
BATHING WELL AT RIM _____	66 x 28-1/2 In. (1677 x 724mm)
WATER DEPTH TO OVERFLOW _____	14-1/8 In. (359mm)
FLOOR LOADING _____	40 Lbs./Sq.Ft. (195 Kgs./Sq.m)
(PROJECTED AREA)	

NOTES:

■ REFER TO INSTALLATION INSTRUCTIONS SUPPLIED WITH BATHTUB FOR ADDITIONAL INFORMATION.

IMPORTANT: Dimensions of fixtures are nominal and may vary within the range of tolerances established by ANSI Standard Z124.1.2. These measurements are subject to change or cancellation. No responsibility is assumed for use of superseded or voided leaflet.