

INSTALLATION INSTRUCTIONS FREESTANDING TUB

MAIDSTONE **DXV**

HIGH GLOSS ACRYLIC SURFACE

Liora Model SKU:220AS1004

To ensure that your installation proceeds smoothly--please read these instructions carefully before you begin.

BEFORE YOU BEGIN....

Local building codes vary by location. Observe all local plumbing and building codes.

Your new bath is shipped to you after careful inspection.

To ensure maximum performance and pleasure from this product, please follow the instructions and cautions.

▲ NOTE: Take extra care in handling surfaces of the bath. Use only non-abrasive cloths to avoid scratching.

TOOLS & MATERIALS REQUIRED

TOOLS:

- Level
- Square
- Tape Measure
- Pipe Wrench
- Slip Joint Pliers

- Standard Woodworking Tools
- Personal Safety Equipment
- Caulking Gun
- Drill
- Hole Saw

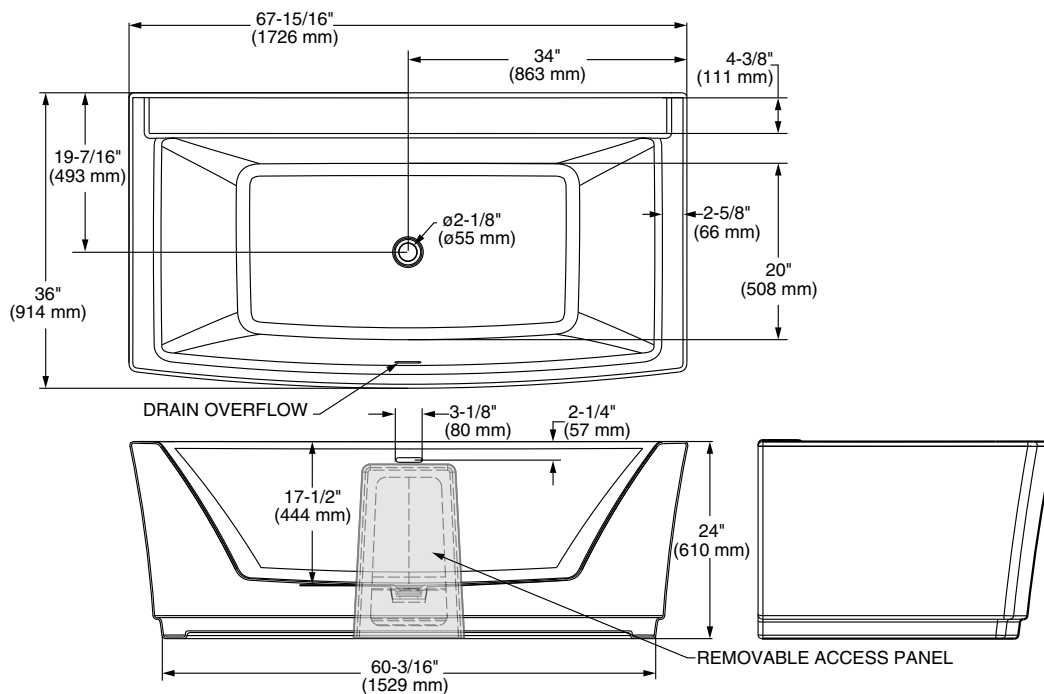
MATERIALS:

- Silicone Caulking
- Tub & Tile Caulk

*** NOTE: Must purchase Drain Kit 1582.000.YYY which contains matched finish metal overflow cover and drain.**

ROUGH-IN INFORMATION: FREESTANDING TUB

Model 2691



GENERAL SPECIFICATIONS FOR FREE STANDING BATH

| | |
|-------------------------|--|
| INSTALLED SIZE | 68 x 36 x 24 in. (1727 x 914 x 610mm) |
| WEIGHT | 151 Lbs. (69 Kg.) |
| WEIGHT w/WATER | 697 Lbs. (316 Kg.) |
| GAL. TO OVERFLOW | 65 Gal. (246L) |
| BATHING WELL AT SUMP | 41-1/2 x 21-1/2 In. (1054 x 546mm) |
| BATHING WELL AT RIM | 61-7/8 x 29-3/8 In. (1572 x 746mm) |
| WATER DEPTH TO OVERFLOW | 15 In. (381mm) |
| FLOOR LOADING | 38 Lbs./Sq.Ft. (186 Kgs./Sq.m) |
| (PROJECTED AREA) | |

SAVE FOR FUTURE USE

NOTE: Tub water fittings can be installed in one of 3 ways; Wall Mounted, Floor Mounted or Deck Mounted.

Location of the access panel must be considered BEFORE installation of the tub. The tub access panel must be accessible if connecting deck mount fillers. Drain connection can be mounted through the access panel or through the floor.

1 **INSTALLATION INSTRUCTIONS:**

Place the tub on a finished, level floor in the desired location.
Using a marker, trace the outline of the tub drain hole onto the floor.

NOTE: If using existing P-Trap location, then skip to Step 3.

2 Install the P-Trap in the marked drain location. P-Trap is installer provided.

3 Place the tub again in the desired location with the drain hole directly in line with the P-trap.
Using an erasable marker or pencil, trace the outline of the tub on the floor (see Fig. 1).

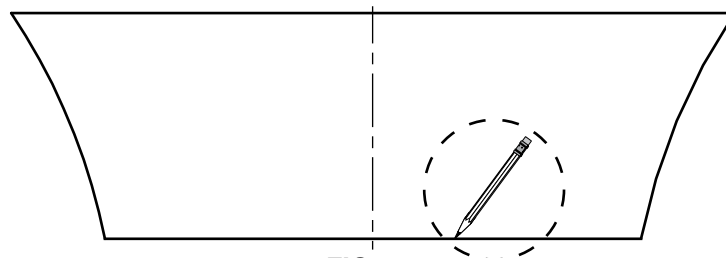


FIG. 1

4 Using the adjustable feet on the underside of the tub, ensure that the tub is level.
Ensure that there is a gap between the tub base and the floor. Gap shall not exceed 3/16" (5mm). (See Fig. 2)

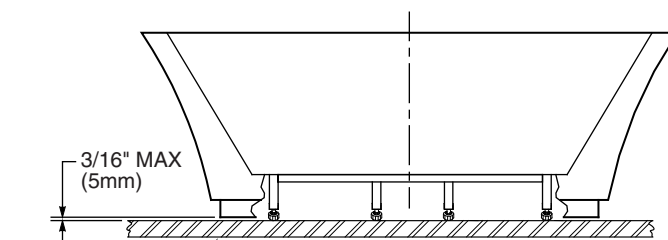


FIG. 2

5

Install drain per instructions provided with Drain Kit 1582.000.YYY.

6

INSTALLING THE 1-1/2" (38mm) DIAMETER TAIL PIECE ASSEMBLY INTO P-TRAP

8" (203mm) tail piece included with Drain Kit 1582.000.YYY.

A slip-joint nut and a flanged, 1-1/2" (38mm) diameter tail piece are recommended. (See Fig. 3)

Slide the slip-joint nut over tail piece towards the flanged end as shown.

Slide the P-trap slip-joint nut and seal over the tail piece as shown.

Insert the tail piece into the P-trap.

The flange of the tail piece should be approximately 2" (51mm) above the finished floor when fully inserted to the P-trap.

The tail piece can be cut if necessary.

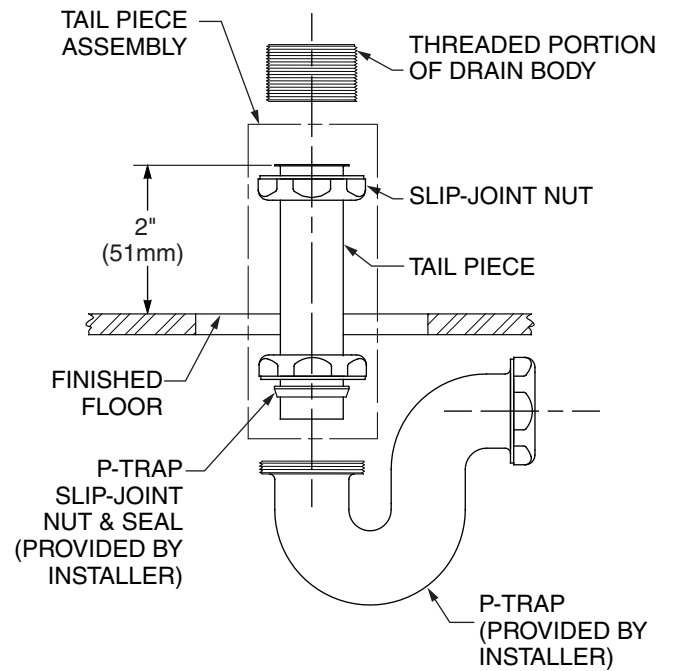


FIG. 3

7

Carefully set the tub into position using the outline on the floor as a guide. Connect the tailpiece to the tub drain. Tighten all of the drain connections.

8

Fill the tub with water and drain. Check for leaks and re-tighten connections as necessary.

9

Apply a bead of Tub & Tile caulk around the bottom edge of the tub where it meets the floor. Remove any excess caulking.

POST INSTALLATION CLEAN-UP

Remove all construction debris from bath.

Do not use wire brushes or any other metal implement on bath surface.

Post installation clean-up generally can be completed using warm water and liquid dishwashing detergent. Stubborn dirt or stains may be removed using granular Spic and Span® mixed with water.

Painter's naphtha can be used to remove excess adhesives and/or wet oil-base paint.

FEATURES of YOUR NEW AMERICAN STANDARD BATHTUB

Your new bathtub has been molded in the newest plumbing fixture material available today. The unit has a tough durable finish that is simple and easy to care for.

The colors have been formulated to enhance your choice of bathroom decorations. The high gloss surface is resistant to impact and chemicals and will retain its lasting luster with proper care and maintenance.

AFTERCARE and CLEANING

- Always fill the tub with temperate water. Excessively hot water may cause surface damage.
- Remove bath mat after use and hang to dry. Allowing bath mat to dry in the tub may cause surface damage.
- Clean after use with a mild liquid household detergent cleaner. Abrasive cleaners such as Lestoil®, Lyso® Disinfectant (spray or concentrate), or Lyso® Basin, Tub and Tile Cleaner, Windex®, Mr. Clean®, Dow® Disinfectant Bathroom Cleaner, or cleaning products in aerosol cans should not be used.

HARSH CHEMICALS SHOULD NEVER BE USED ON ACRYLIC SURFACES.

- Do not use wire brushes, knives or sharp objects to remove stains, cigarette tar deposits, or other surface blemishes.
- Abrasive cleaners or powders must not be used, since they will dull the surface. If the glossy surface loses its sheen, dulled areas can be restored by rubbing with a white polishing compound and waxing with a "liquid wax."
- **Do not wax areas where you walk or stand.**
- Do not allow nail polish remover, acetone, dry cleaning fluid, paint remover or other solvents to come into contact with the surface.
- Clean the surrounding surface immediately after using caustic drain cleaners.
- Burning cigarettes will damage the surface.
- Should damage to the fixture occur, repairs can be made. Your distributor or builder can provide details.

SPIC AND SPAN® is a registered trademark of The Spic And Span Company

LESTOIL® is a registered trademark of the Clorox Company

LYSOL® is a registered trademark of Reckitt Benckiser

WINDEX® is a registered trademark of S.C. Johnson & Son, Inc

MR. CLEAN® is a registered trademark of Agile Pursuits Franchising, Inc.

DOW® is a registered trademark of Dow Chemical Company