

NIVEN FREESTANDING TUB

☐ 220AS2004

Product Features:

- Transitional styling
- Straight back wall allows for a flush-to-the-wall installation, leaving no space to trap dust or debris
- High quality seamless acrylic construction with fiberglass reinforcement
- Center drain
- Wide deck ledge on one side is ideal for deck mount faucet and/or handshower
- Wide deck ledge can be used to store bath accessories
- Integrated tub drain for easy installation
- Adjustable leveling feet under tub
- Easy to clean high-gloss surface
- Removable access panel on the back of the tub
- Limited Lifetime warranty
- **Coordinates with Estate® Suite of fixtures**
- **Available Exclusively at Ferguson® Showrooms**



Nominal Dimensions:

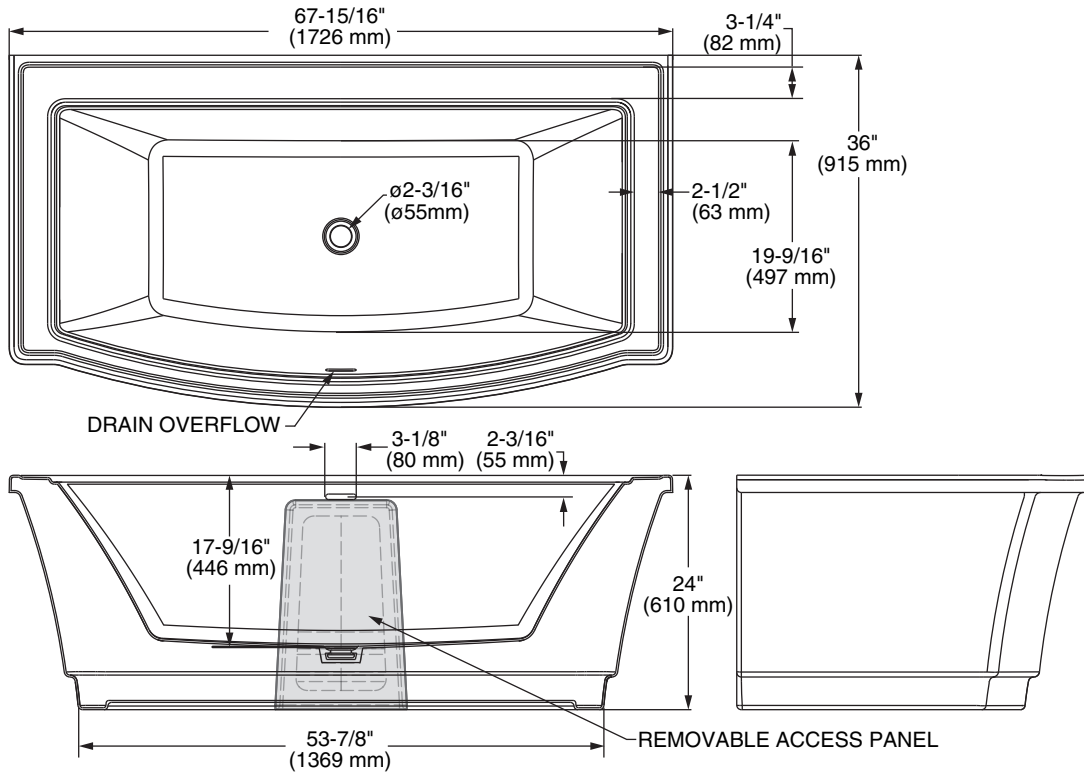
68" x 36" x 24"
(1727 x 915 x 610mm)

SEE REVERSE SIDE FOR ROUGHING-IN DIMENSIONS AND PRODUCT SPECIFICATIONS

Compliance Certifications -

Meets or Exceeds the Following Specifications:

- IAPMO Z124
- CSA B45.5-11



GENERAL SPECIFICATIONS FOR FREE STANDING BATH	
INSTALLED SIZE	68 x 36 x 24 in. (1727 x 914 x 610mm)
WEIGHT	185 Lbs. (84 Kg.)
WEIGHT w/WATER	706 Lbs. (321 Kg.)
GAL. TO OVERFLOW	62 Gal. (235L)
BATHING WELL AT SUMP	39-3/8 x 19-7/8 In. (1000 x 505mm)
BATHING WELL AT RIM	60 x 29-3/8 In. (1524 x 746mm)
WATER DEPTH TO OVERFLOW	14-7/8 In. (378mm)
FLOOR LOADING (PROJECTED AREA)	36 Lbs./Sq.Ft. (176 Kgs./Sq.m)

NOTES:

■ REFER TO INSTALLATION INSTRUCTIONS SUPPLIED WITH BATHTUB FOR ADDITIONAL INFORMATION.

Fittings not included and must be ordered separately.
 Provide suitable reinforcement for all supports.
 Mounting holes drilled by installer.

IMPORTANT: Dimensions of fixtures are nominal and may vary within the range of tolerances established by ANSI Standard Z124.1.2. These measurements are subject to change or cancellation. No responsibility is assumed for use of superseded or voided leaflet.