

Kipton

- 220AS9641R
Right Drain
- 2220AS9642L
Left Drain

Stylish Design:

- High-gloss acrylic with fiberglass reinforcement
- Integral apron with clean, minimalist design
- Spaciously designed to provide maximum bathing space with a wide and deep bathing well
- Color matched white slotted overflow and drain for seamless look and increased soaking depth (sold separately)
- Textured floor help to improve safety
- Smooth lumbar support for increased back comfort
- Form fitted tub pillow for maximized comfort sold separately
- Coordinates with Aspirations™ bathroom suite

Easy Install and Care:

- High-gloss surface allows easier maintenance and cleaning
- Integral three-sided, 1" tiling/water retention flange helps prevent water seepage
- Pre-leveled tub bottom for easier installation
- Integral lumbar support provides extra comfort
- Limited Lifetime warranty

Nominal Dimensions:

60" x 32" x 18"
(1524 x 813 x 457mm)

Compliance Certifications - Meets or Exceeds the Following Specifications:

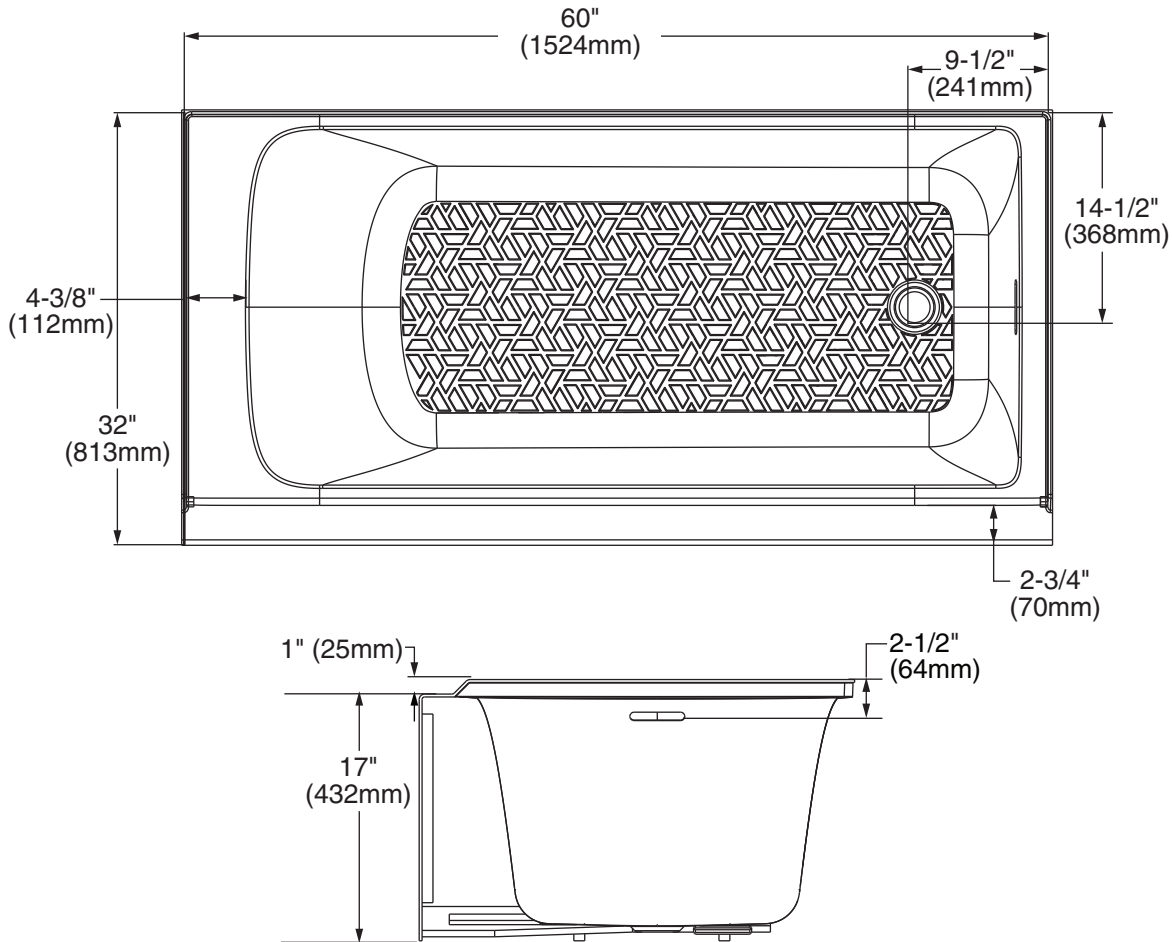
- CSA B45.5/ IAPMO Z124
- cUPC

To Be Specified - Required

- Color:
- 020 White



SEE REVERSE FOR ROUGHING-IN DIMENSIONS AND PRODUCT SPECIFICATIONS



GENERAL SPECIFICATIONS FOR TUB	
INSTALLED SIZE	60 x 32 x 18 In. (1524 x 876 x 455mm)
WEIGHT	86 Lbs. (39 Kg)
WEIGHT w/WATER	586 Lbs.(266 Kg)
GAL. TO OVERFLOW	54.82 Gal. (207.5 L)
BATHING WELL AT SUMP	43-1/8 x 19-1/2 In. (1097 x 496mm)
BATHING WELL AT RIM	53-1/8 x 26-1/4 In.(1348 x 668mm)
WATER DEPTH TO OVERFLOW	14 In. (355mm)
FLOOR LOADING	43.95 Lbs./Sq.Ft. (215 Kg/Sq.m)
LUMBAR ANGLE	24.7 deg
PROJECTED AREA	13.3 sq ft (1.24 sq m)
PROJECTED VOLUME	20 cu ft (0.566 cu m)

NOTES:

- BATH TO BE INSTALLED ABOVE FLOOR LINE AS A RECESS INSTALLATION.
- REFER TO INSTALLATION INSTRUCTIONS SUPPLIED WITH TUB FOR ADDITIONAL INFORMATION.
- FITTINGS NOT INCLUDED AND MUST BE ORDERED SEPARATELY.
- PROVIDE SUITABLE REINFORCEMENT FOR ALL SUPPORTS.
- MOUNTING HOLES DRILLED BY INSTALLER.

IMPORTANT: Dimensions of fixtures are nominal and may vary within the range of tolerances established by ANSI Standard CSA B45.5-11/IAPMO Z124. These measurements are subject to change or cancellation. No responsibility is assumed for use of superseded or voided pages.