

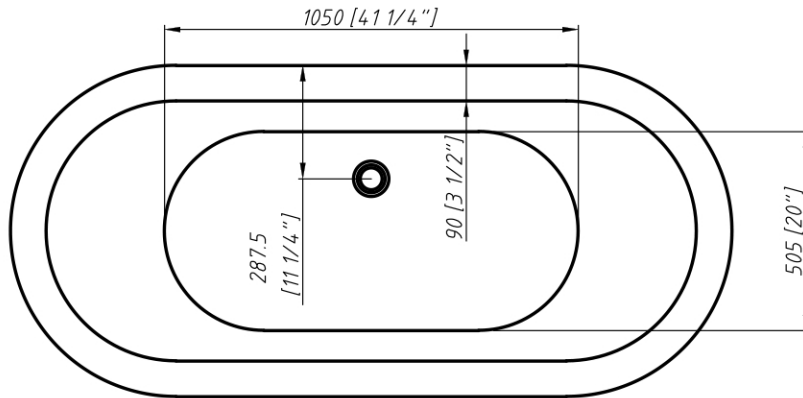
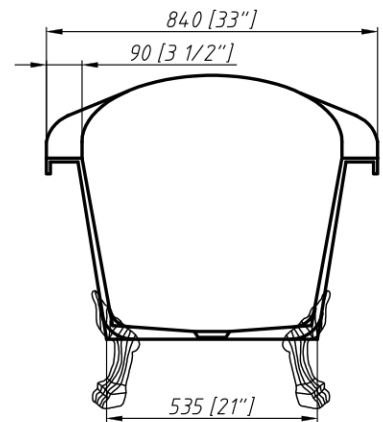
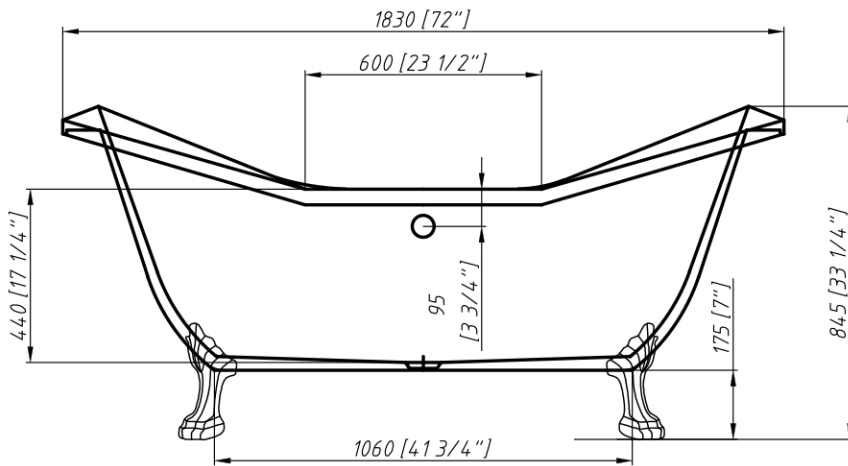


MAIDSTONE

www.MaidstoneSupply.com

72 Inch Acrylic Double Slipper Clawfoot Tub - No Faucet Drillings - Lion Paw Feet

Part No: 12022DS72-0-LP



Measurement 尺寸范围	Tolerance 公差
<100mm	±2mm
100≤500mm	±10mm
500≤1000mm	±15mm
>1000mm	±20mm

Contact Maidstone for additional information and specifications. For complete warranty information and a list of dealers visit www.MaidstoneSupply.com. All products and specifications are subject to change without notice. Maidstone is not responsible for typographical and/or dimensional errors. Typographical errors are subject to correction.

Note: Rough-in dimensions may vary +/- 1/2" and are subject to change. No responsibility is assumed by Maidstone.