

MSR-2424

inches

MOP SINK

24 3/8" W x 24 3/8" x 11 1/2"



FEATURES

- Molded Mop Receptor
- One-piece construction
- Chrome strainer
- Available in 2" or 3" drain
- Available in White only

STANDARDS

- I.A.P.M.O. Listed File 2646
- ANSI-Z-124.6
- HUD/FHA: UN-73
- CSA Test
Warnock Hersey Listed:
CAN/CSA-B45.0
CAN/CSA-B45.5

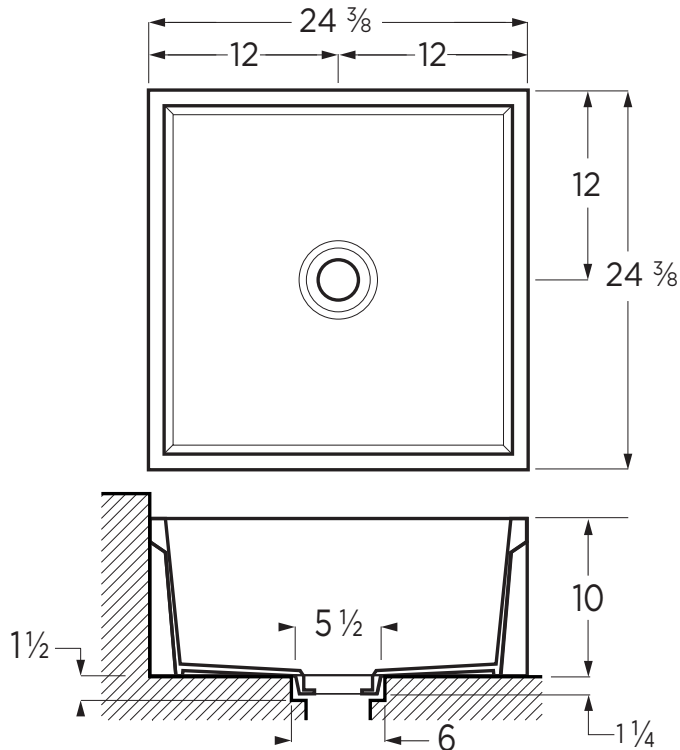
FLORESTONE
A spec above.



MADE IN USA
WITH GLOBAL MATERIALS

MSR-2424

24 ³/₈ W x 24 ³/₈ x 11 ¹/₂



All dimensions are approximate.
Structure measurements must be verified
against the unit to ensure proper fit.

FEATURES Dimensional Tolerance $\pm \frac{3}{16}$ ". Dimensions needed for site preparation should be measured from the unit. American Bath Group assumes no responsibility for preparatory work.

Model #	Part #	Description	Material	Pkg. Wt.
Mop Sink MSR-2424- 2" Drain	1242412	2" Drain	SMC	50
Mop Sink MSR-2424- 3" Drain	1242413	3" Drain	SMC	50

