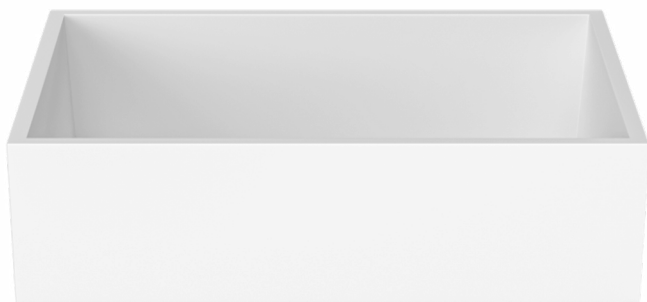


MSR-3624

inches

MOP SINK

36 x 24 x 11 ½



FEATURES

- Molded Mop Receptor
- One-piece construction
- Chrome strainer
- Available in 2" or 3" drain
- Available in White only

STANDARDS

- I.A.P.M.O. Listed File 2646
- ANSI-Z-124.6
- HUD/FHA: UN-73
- CSA Test
Warnock Hersey Listed:
CAN/CSA-B45.0
CAN/CSA-B45.5

FLORESTONE
A spec above.



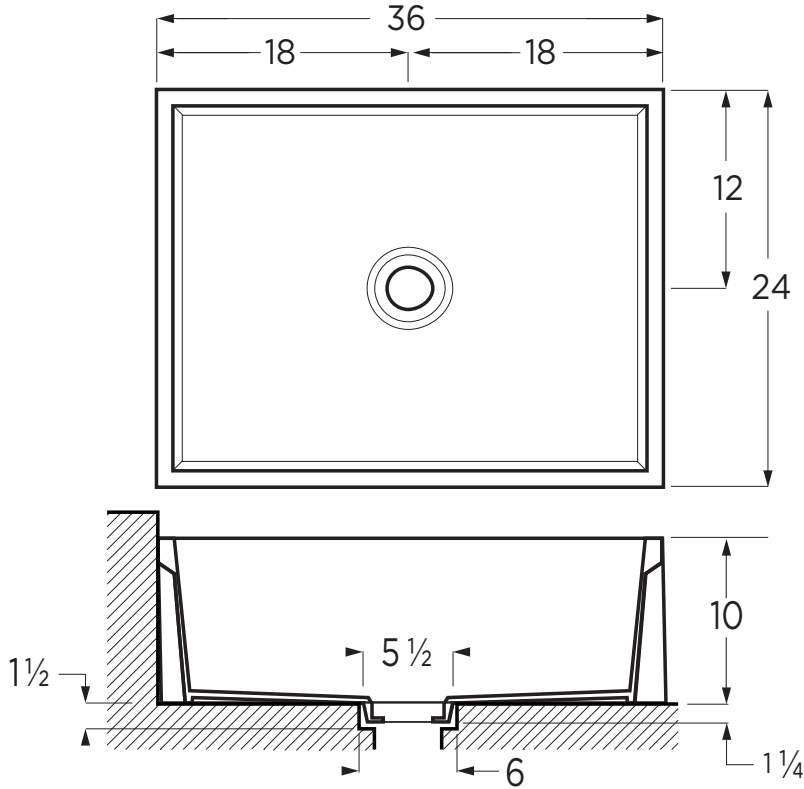
MADE IN USA
WITH GLOBAL MATERIALS

MSR-3624

36 x 24 x 11 ½



All dimensions are approximate.
Structure measurements must be verified
against the unit to ensure proper fit.



FEATURES Dimensional Tolerance $\pm \frac{1}{8}$ ". Dimensions needed for site preparation should be measured from the unit. American Bath Group assumes no responsibility for preparatory work.

Model #	Part #	Description	Material	Pkg. Wt.
Mop Sink MSR-3624 - 2" Drain	1362412	2" Drain	SMC	50
Mop Sink MSR-3624 - 3" Drain	1362413	3" Drain	SMC	50

