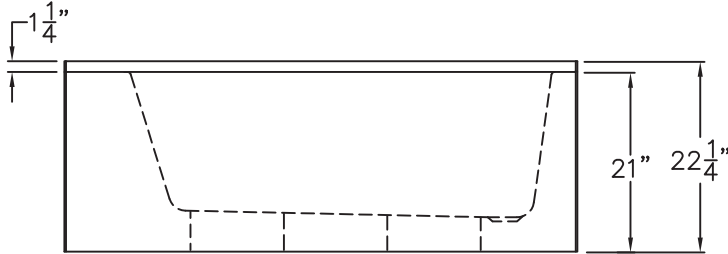


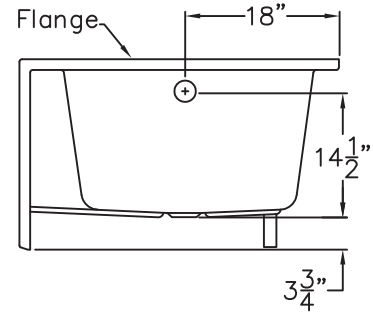
LUXURY ACRYLIC SERIES

SUBMITTAL DATA

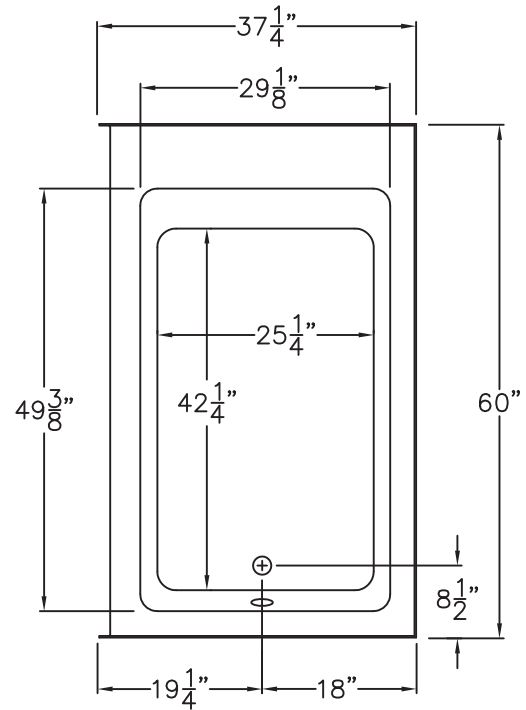
TOP VIEW



SIDE VIEW



FRONT VIEW



DUE TO THE NATURE OF THE MATERIALS
DIMENSIONS MAY VARY ± 1/2"

Applied Acrylic Bathtub

This skirted tub enclosure shall be model G6036 MNR-S with left or right drain.

Finished surface shall be of a sanitary grade applied acrylic.

The unit shall have outside dimensions of 60" x 37 1/4" x 21 1/4".
The one piece tub shall meet IAPMOZ124-2011, CSA B45.5, and Home Innovation Research Lab.

The enclosure shall be equipped with the following accessories:

1. Applied Acrylic Finish
2. Left Or Right Drain Location
3. Slip Resistant Bottom
4. 3 3/4" Above Floor Rough-In
5. Skirted Design

Job Name:		PRAXIS	
Model No.:		Drawing#: G6036 MNR-S	
Approved by:	Date Approved:	Date: 2-13-17	Revised:
Rep.:	Wholesaler:	Quote No.:	

PRAXIS INDUSTRIES, LLC.
435 INDUSTRIAL ROAD, SAVANNAH, TN 38372
1 (800) 326-5489 - FAX (888) 246-0466