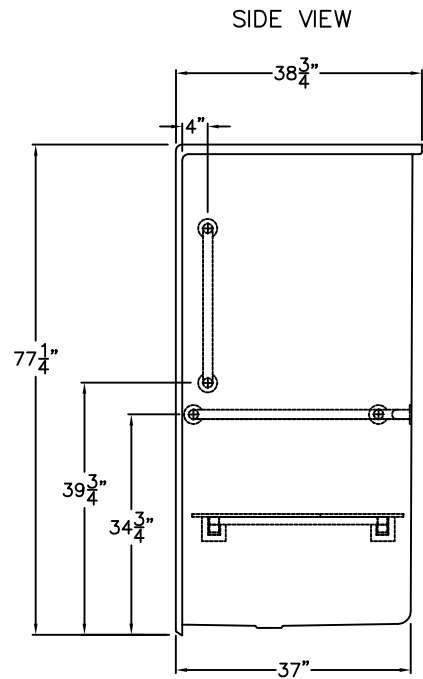
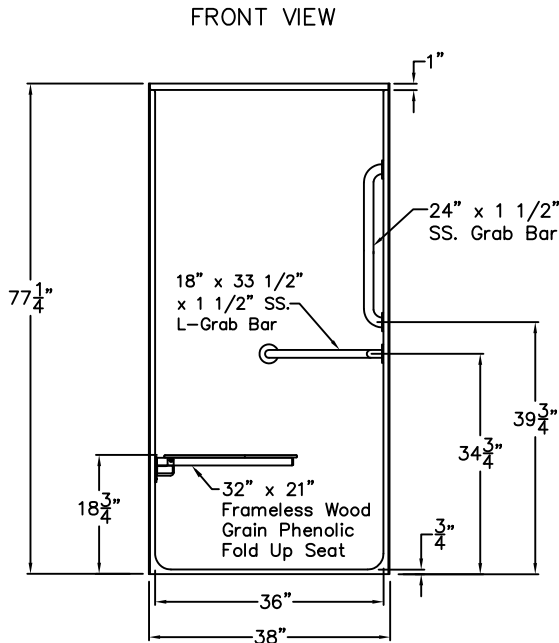


Special Needs Series

SUBMITTAL DATA



Transfer Shower Stall

The shower enclosure shall be Praxis Model HS 738 .75 right or left. Finished surface shall be of a sanitary-grade applied acrylic. The unit shall have outside dimensions of 39" x 39 1/2" x 77 1/4". The unit shall meet ANSI Z124.1.2, and CSA B45.5-11.

* NOTE: UNIT DOES NOT COMPLY WITH ADA, OR ANSI A117.1 GUIDELINES.

The enclosure shall be equipped with the following installed accessories:

- 1) One 18" x 33 1/2" diameter stainless steel horizontal L-grab bar,
- 2) One 24" x 1 1/2" diameter stainless steel vertical grab bar on the valve wall, both with 1 1/2" statute clearance, mounted with stainless steel bolts, and secured from the rear with 3" x 3" x 11 gauge metal mounting plates,
- 3) 32" x 21" frameless wood grain phenolic fold up seat,
- 4) Armor Core Easy Base,
- 5) 3/4" threshold.

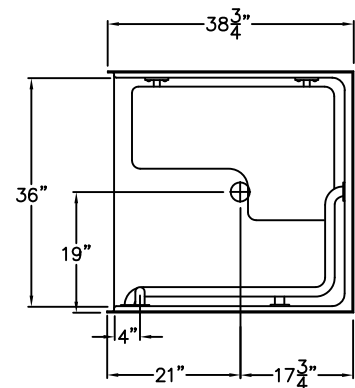
Available options: 1) Hand held shower set (hand set, 60" flex hose, swivel connector, vacuum breaker, brass nipple, locknut, wall brackets, and shower wall outlet, 2) 24" or 30" slide bar, 3) Pressure balance valve, 4) Green anti-bacterial shower curtain with hooks, 5) White weighted shower curtain with hooks, 6) Curtain rod.

THIS UNIT FEATURES THE OUTSIDE DIMENSIONS OF 39" OF OVERALL WIDTH. THIS DOES NOT ALLOW FOR FULL ENCLOSURE OF THE BOLTS THAT ARE USED TO SECURE THE BARS AND SEAT IN PLACE. THE BOLT AND NUT COMBINATION SHOULD NOT PROTRUDE ANY MORE THAN 3/4" ON EITHER SIDE OF THE SHOWER WALLS. THIS MAY REQUIRE THE NEED TO NOTCH STUDS TO ALLOW BOLT CLEARANCE FOR INSTALLATION.

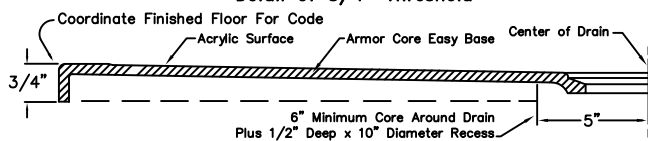
FOR A DRY WALL ENCLOSED FIRE WALL INSTALLATION, ADJUSTMENT OF THE WALLBOARD MAY BE NECESSARY TO PROVIDE CLEARANCE OF THE BOLT (S) WHILE MAINTAINING THE INTEGRITY OF THE DRYWALL ENCLOSED FIRE WALL ENCLOSURE.

NOTE: THIS UNIT WILL NOT ACCEPT A DOOR!

TOP VIEW



Detail of 3/4" Threshold



DUE TO THE NATURE OF THE MATERIALS DIMENSIONS MAY VARY ± 1/2"

PRAXIS

Approved by Print Name:

Drawing#: H 738 SLB VB WGPH

Approved by Signature:

Date:

Date: 6-21-07

Revised: 1-9-20

Rep.:

Wholesaler:

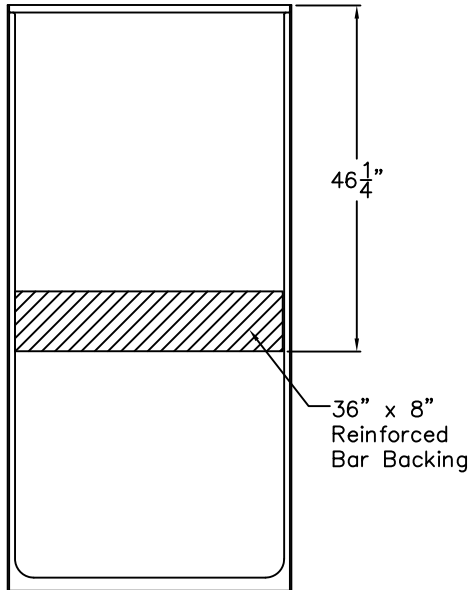
Quote No.:

PRAXIS INDUSTRIES, LLC.
435 INDUSTRIAL RD - SAVANNAH, TN 38372
1 (800) 443-7269 - FAX (731) 925-4290

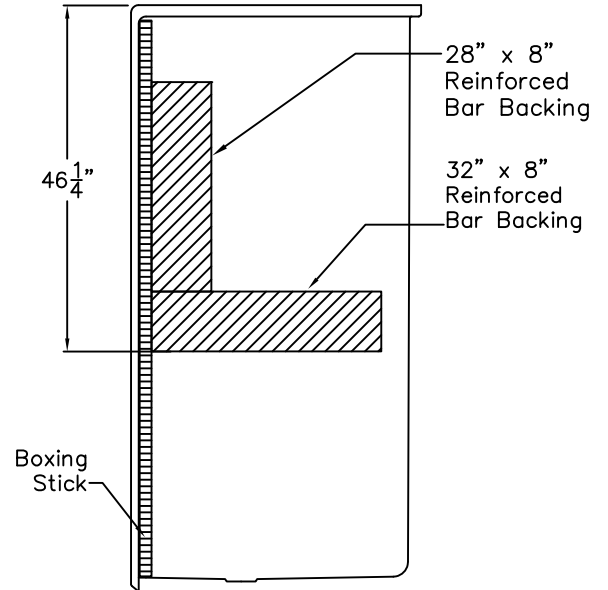
Backing Placement

SUBMITTAL DATA

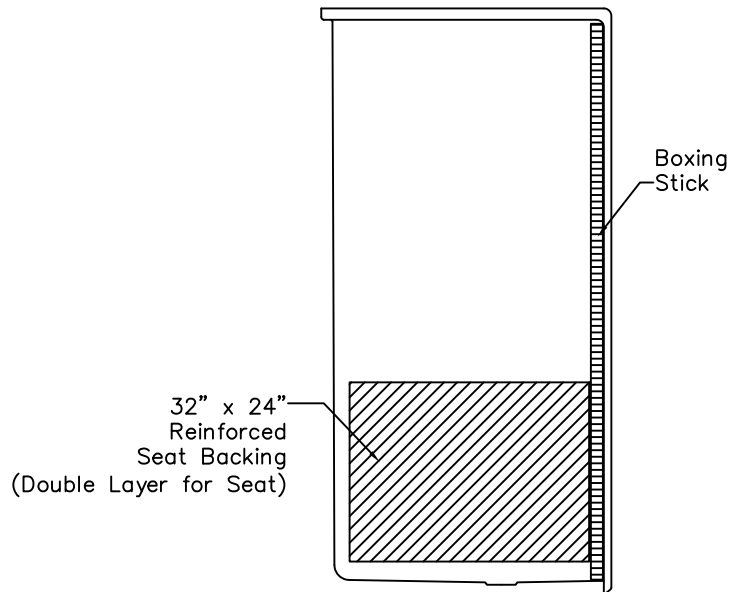
FRONT VIEW



VALVE SIDE VIEW



SEAT SIDE VIEW



DUE TO THE NATURE OF THE MATERIALS
DIMENSIONS MAY VARY $\pm 1/2$ "

Job Name:	PRAXIS
Approved by Print Name:	Drawing#: HS 738 SLB VB WGPH-BP
Approved by Signature:	Date: 3-15-07 Revised: 1-9-20
Rep.:	Wholesaler: Quote No.:

PRAXIS INDUSTRIES, LLC.
435 INDUSTRIAL ROAD, SAVANNAH, TN 38372
1 (800) 443-7269 - FAX (731) 925-4290