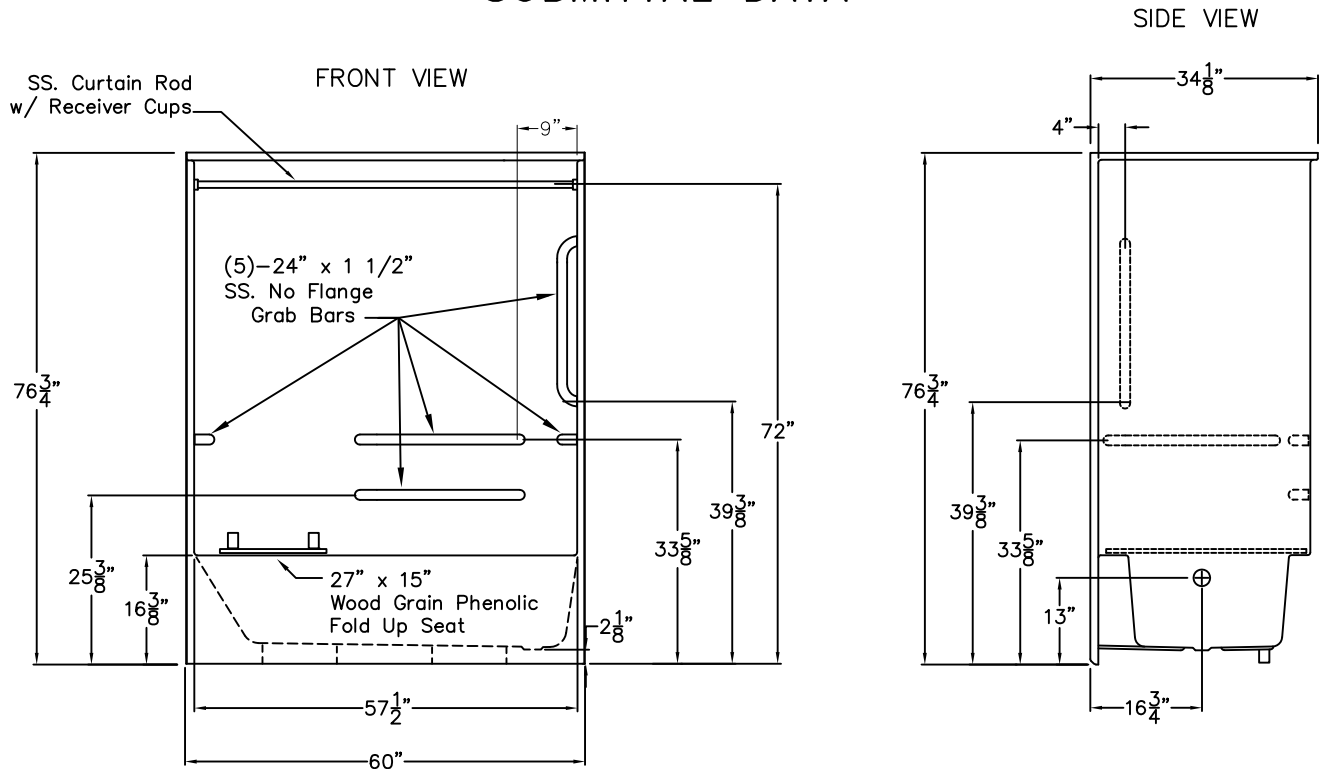


# Special Needs Series

## SUBMITTAL DATA



### Acrylic 60" ADA Tub/Shower

This tub/shower enclosure shall be Praxis Model HTS 736 tub shower right, ADA.

The shower enclosure shall be Praxis Model HS 771 Left seat. Finished surface shall be of sanitary-grade applied acrylic.

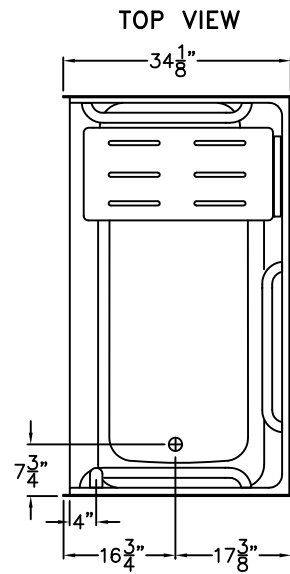
Unit shall have outside dimensions of: 60" x 34 1/8" x 76 3/4".

It shall meet CSA B45.5-11, ADA, ANSI A117.1, HUD, FHA, Home Innovation Research Lab, IAPMOZ124-2011, and shall meet the requirements of the Southern Building Code.

The enclosure shall be equipped with the following factory installed accessories:

- 1) Four 24" x 1 1/2" stainless steel horizontal grab bars, 2) One 24" x 1 1/2" stainless steel vertical grab bar on the valve wall, all with 1 1/2" statue clearance, mounted from the rear with stainless steel bolts and 3" x 3" x 11 gauge metal mounting plates, 3) 27" x 15" wood grain phenolic fold up seat, 4) one inch diameter, 18 gauge stainless steel curtain rod with receiver cups.

Available options: 1) green anti-bacterial shower curtain with hooks, 2) white shower curtain and hooks, 3) Valve package includes: control valve, hand held shower set, with 60" flex hose, 30" slide bar, swivel connector, vacuum breaker, wall water outlet fitting.



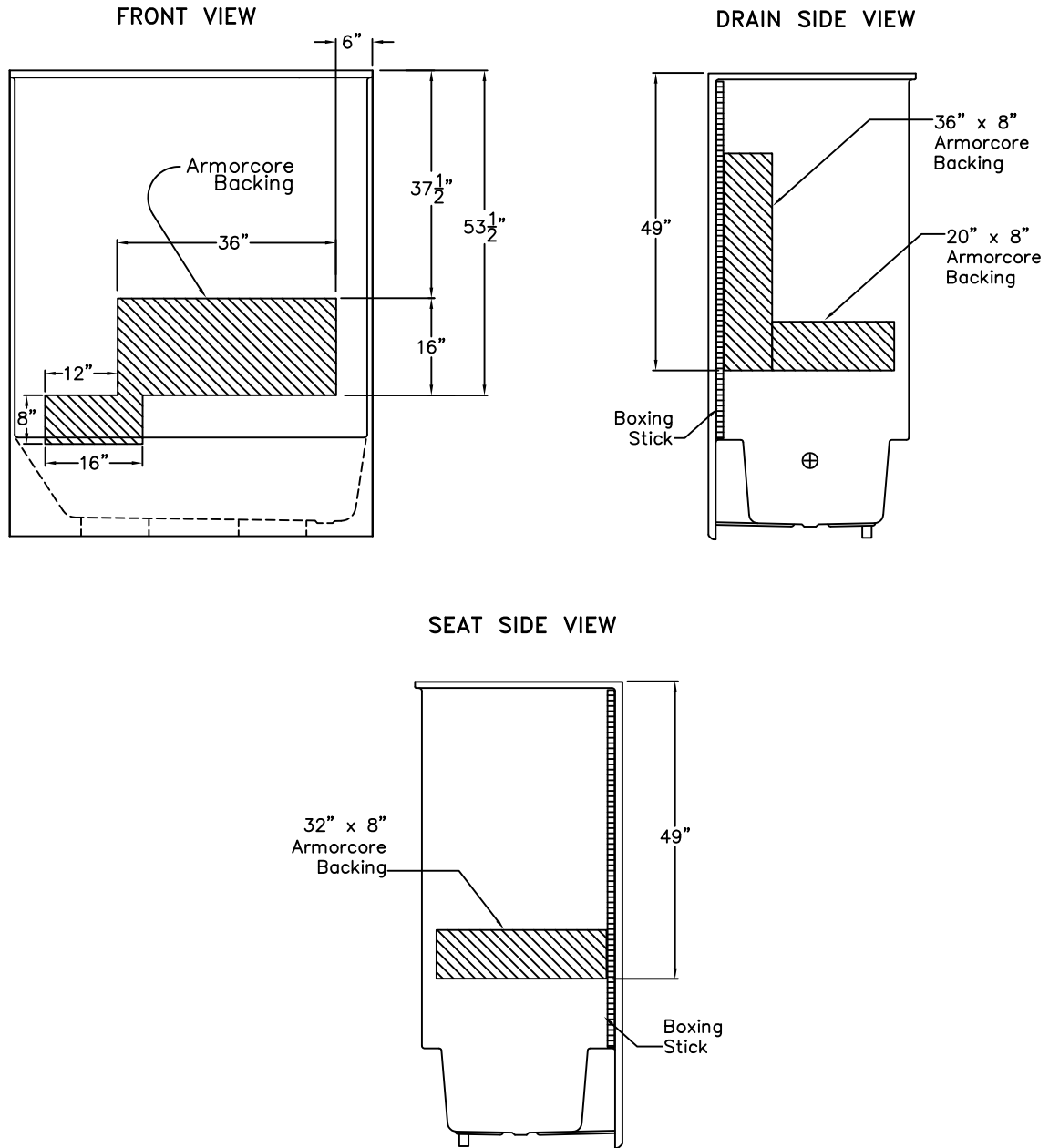
DUE TO THE NATURE OF THE MATERIALS INVOLVED, UNIT DIMENSIONS MAY VARY ± 1/2 INCH.

<b>Job Name:</b>	<b>PRAXIS</b>
<b>Approved By Print Name:</b>	<b>Drawing#:</b> HTS736HH 5-SS. No Flange No Flange Grab Bars WGPH CR
<b>Approved By Signature:</b>	<b>Date:</b> 7-17-96 <b>Revised:</b> 3-6-17
<b>Rep.:</b>	<b>Wholesaler:</b>
<b>Quote No.:</b>	

PRAXIS INDUSTRIES, LLC.  
435 INDUSTRIAL RD - SAVANNAH, TN 38372  
1 (800) 443-7269 - FAX (731) 925-4290

# Backing Placement Drawing

## SUBMITTAL DATA



DUE TO THE NATURE OF THE MATERIALS  
DIMENSIONS MAY VARY  $\pm 1/2"$

Job Name:	PRAXIS	
Model No.:	Drawing#: HTS736RH 5-SS. No Flange No Flange Grab Bars WGPB CR-BP	
Approved by:	Date Approved:	Date: 7-19-96      Revised: 3-6-17
Rep.:	Wholesaler:	Quote No.:

PRAXIS INDUSTRIES, LLC.  
435 INDUSTRIAL RD - SAVANNAH, TN 38372  
1 (800) 443-7269 - FAX (731) 925-4290