



a Geberit company

2100 South Clearwater Drive  
Des Plaines, IL 60018  
Phone: 847-803-5000  
Fax: 847-803-5454  
www.chicagofaucets.com

# REPAIR PARTS

BY: JAR    DATE: 11-01-13  
CHK:        REV:

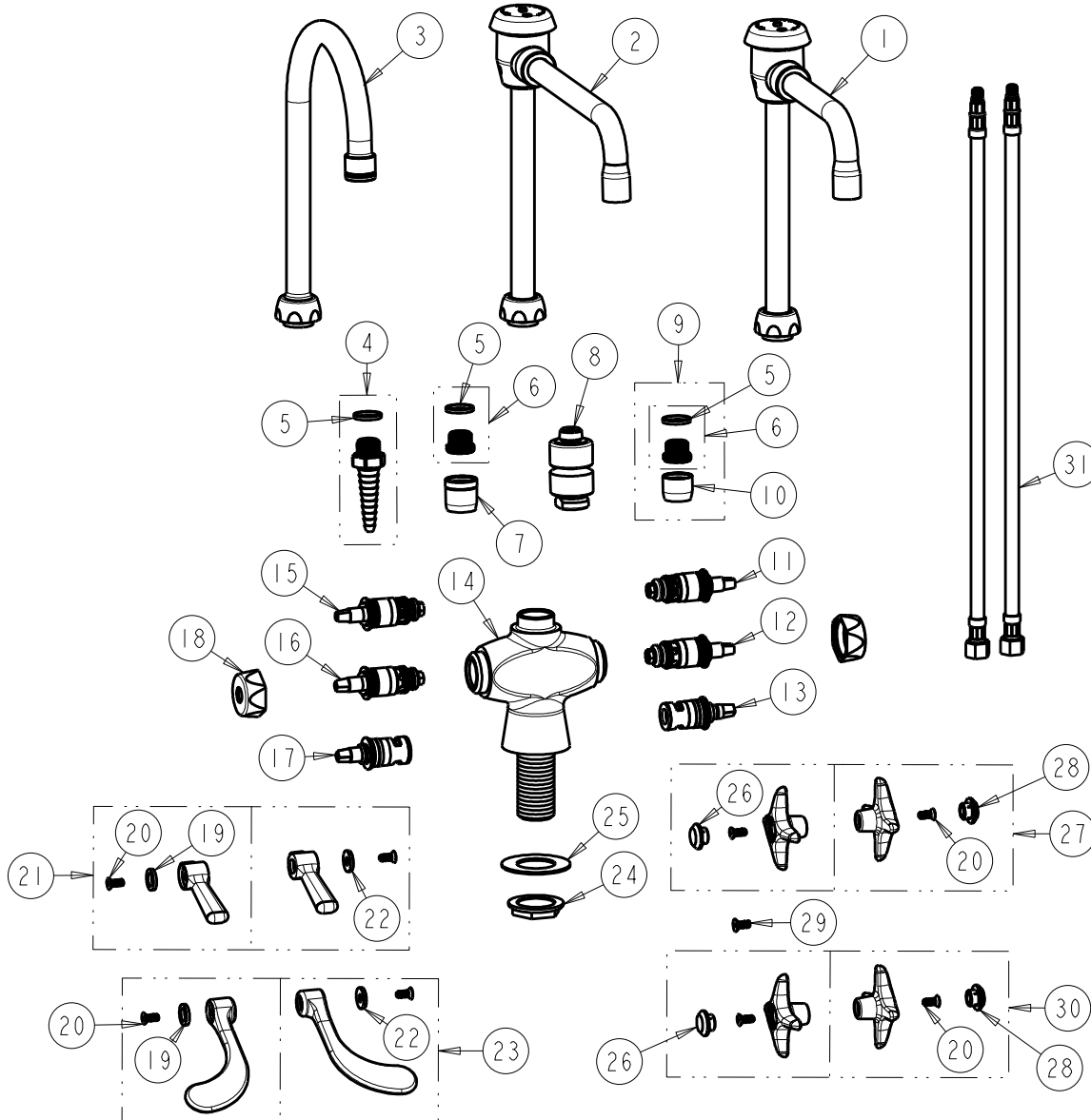
FITTING NO.

929-930-SERIES

SUBMITTED MODEL NO.

ITEM NO.

**FOR TECHNICAL ASSISTANCE**  
1-800-TEC-TRUE (1-800-832-8783)



ITEM	PART NO.	DESCRIPTION	ITEM	PART NO.	DESCRIPTION
1	GN2BVBJKABCP	VACUUM BREAKER SWING SPOUT	17	1-100XKJKABNF	LH CERAMIC CARTRIDGE 1/4
2	GN8BVBJKABCP	VACUUM BREAKER SWING SPOUT	18	444-005JKCP	CAP
3	GN2BJKABCP	FOR PARTS SEE GN2BABJKCP	19	633-023JKNF	INDEX BUTTON (RED)
4	E7JKCP	SERRATED HOSE NOZZLE	20	420-010JKRCF	SCREW, 10-32 UNC PH 1/2
5	229-003JKABNF	WASHER	21	369-PRJKCP	LEVER HANDLE ASSEMBLY (PAIR)
6	K2JKABRCF	ADAPTER w/WASHER	22	633-123JKNF	INDEX BUTTON (BLUE)
7	E29JKABCP	LAM-A-FLO OUTLET	23	317-PRJKCP	HANDLE, 4" WRISTBLADE (PAIR)
8	E22JKCP	VACUUM BREAKER	24	50-003JKRBF	LOCKNUT
9	E3-2JKABCP	SOFTFLO AERATOR WITH ADAPTER	25	50-014JKNF	STEEL WASHER
10	E3JKABCP	SOFTFLO AERATOR 2.2 GPM	26	216-128JKNF	BUTTON 'HW'
11	217-XTRHJKABNF	CARTRIDGE, SLO-COMPRESSION (RH)	27	204-PRJKCP	HANDLE, 4 ARM (PAIR)
12	1-099XTJKABNF	QUATURN CARTRIDGE (RH)	28	216-178JKNF	BUTTON 'CW'
13	1-099XKJKABNF	RH CERAMIC CARTRIDGE 1/4	29	420-020JKNF	SCREW, 1/8 FLAT HEX HEAD X 1/2
14	-----	VALVE BODY (NOT SOLD SEPARATELY)	30	205-PRJKNF	PLASTIC HANDLE ASSEMBLY (PAIR)
15	217-XTLHJKABNF	CARTRIDGE, SLO-COMPRESSION	31	250-025KJKABNF	HOSE, SS BRAIDED 5/16-24 X 3/8
16	1-100XTJKABNF	QUATURN CARTRIDGE (LH)			