



The new degree of comfort.™

TANKLESS WATER HEATING

PARTS & ACCESSORIES

2016 CATALOG



Water | Tankless Water Heating | Replacement Parts and Accessories

Table of Contents

General Terms and Conditions.....	3
Contact Information.....	4
Parts Kits.....	5
Tankless Accessories.....	6
Maintenance and Service	6
Manifold Systems	7
Tankless Venting.....	8-9
Parts for RTGH-84DVLN-1, RTGH-90DVLN-1, RTGH-95DVLN-1 Series.....	10-11
Parts for RTGH-84XLN-1, RTGH-90XLN-1, RTGH-95XLN-1 Series	12-13
Parts for RTG-64DVLN-1, RTG-84DVLN-1, RTG-95DVLN-1 Series	14-15
Parts for RTG-64XLN-1, RTG-84XLN-1, RTG-95XLN-1 Series	16-17
Parts for RTGH-84DV, RTGH-90DV, RTGH-95DV Series	18-19
Parts for RTGH-84X, RTGH-90X, RTGH-95X Series.....	20-21
Parts for RTG-64, RTG-84, RTG-95, DV and DVL Series.....	22-23
Parts for RTG-64, RTG-84, RTG-95, X and XL Series.....	24-25
Parts for RTG-53DV Series (out of production).....	26-27
Parts for RTG-53X Series (out of production)	28-29
Parts for RTG-53PV and 42PV Series (out of production)	30-31
Parts for RTG-66DV Series (out of production).....	32-33
Parts for RTG-66X Series (out of production)	34-35
Parts for RTG-74DV and GT-199DV Series (out of production).....	36-37
Parts for RTG-74X and GT-199X Series (out of production).....	38-39
Parts for RTG-74PV and GT-199PV Series (out of production).....	40-41
Parts for First Generation RTG-42PV Series (out of production)	42
Tankless Model Cross Reference	43-44

General Terms and Conditions

A comprehensive catalog of approved replacement parts

for Rheem®, Ruud®, Rheem®-Ruud®, Richmond®, EcoSense™ and Paloma® tankless gas water heaters*.

Freight Allowance

Please see the Tankless Parts and Accessories Price Sheet for Freight Allowances.

Taxes

Prices are subject to the addition of any tax imposed by any present or future Federal, State, County or Municipal law on the sale of such material, unless we have a tax exemption certificate on file.

Acceptance of Orders

All orders are subject to final approval on the terms and conditions contained in our standard customer acknowledgment form.

Materials Return

Saleable, current component parts in a new or unused condition must have prior authorization by the Parts Packaging Supervisor or Customer Service before being returned. Parts may only be considered for return within 90 days from the original invoice date. Invoice numbers must be provided to Customer Service prior to obtaining a return authorization number. All parts returned without prior authorization will be destroyed or sent back to the sender at their expense. All returns will be subject to our inspection and a 25% restocking charge. Returned parts that are damaged or in a condition that prevents resale will not be credited. Service/Warranty Parts returned in accordance with warranty claim provisions do not require prior authorization, but will be subject to our inspection. See Price Sheet for Additional Conditions.

Parts Warranty

All tankless service parts are warranted for the remainder of the parts warranty covering the product they are being used to service. If no warranty is remaining on said product then the warranty will be for a period of 90 days from the date of purchase. Contact Technical Service for warranty information.

Accessories Warranty

All tankless accessories are warranted for a period of 1 year from the date of original purchase unless covered by a manufacturers warranty. Contact Technical Service for warranty information.

- * For Ruud, replace RTG with RUTG
- * For Richmond, replace RTG with RMTG
- * For EcoSense, see cross reference chart, page 35
- * For Paloma, replace RTG with PTG

CONTACT INFORMATION

Customer Service

800-621-5622

Product Information/Online Lookup

rheemparts.com

Warranty

MyRheem.com

Fax: 800.535.9538

Email: parts@rheem.com

Technical Service

866.720.2076

Email: techserv@rheem.com

To Place an Order

800.621.5622

Fax: 800.535.9538



Located in Randleman, North Carolina with a 185,000 sq. ft. distribution center, the Replacement Parts Division provides products and services including the support of new equipment sales by providing OEM replacement parts, and parts identification. In addition, we sell and market aftermarket parts and products that are included in the installation, maintenance and servicing of HVAC equipment, water heaters and other residential power equipment.

Tankless Gas Water Heater Parts Kits

for Rheem Tankless Water Heaters

Rheem introduces the Tankless Gas Water Heater Service parts kits. These kits, designed with the contractor in mind, provide all the basic parts necessary for a complete repair of a Rheem tankless gas water heater.

PROTECH™

PROTECH PD966349 - Mid-Efficiency direct vent models
(RTG-95DVL-1, RTG-84DVL-1, RTG-64DVL-1)

PROTECH PD966350 - Mid-Efficiency outdoor models
(RTG-95XL-1, RTG-84XL-1, RTG-64XL-1)

PROTECH PD966351 - Condensing models
(RTGH-95DVL-1, RTGH-90DVL-1, RTGH-84DVL-1)
(RTGH-95XL-1, RTGH-90XL-1, RTGH-84XL-1)

These kits include 1 each of the following:

- Control Board
- Thermistors
- Gas Valve
- Flame Rods
- Flame Rod Wires
- Ignitor Coil
- Ignitor Rod
- Gas Valve Assembly
- Gas Inlet Connector
- Blower Motor
- Water Control Valves
- Drain Plug
- Inlet Water Filter
- Screw Kit
- O-ring Kit
- Remote Control



PROTECH Kits for Older Models:

PROTECH PD966332 - Mid-Efficiency direct vent models (RTG-95DVL, RTG-84DVL, RTG-64DVL)

PROTECH PD966333 - Mid-Efficiency outdoor models (RTG-95XL, RTG-84XL, RTG-64XL)

PROTECH PD966334 - Condensing models (RTGH-95DVL, RTGH-90DVL, RTGH-84DVL)
(RTGH-95XL, RTGH-90XL, RTGH-84XL)

Tankless Accessories

Finish and Appearance



Cosmetic Pipe Covers
Pipe covers enhance an indoor or outdoor installation by concealing the piping beneath the water heater. It provides protection from tampering and weather conditions. These covers come in a grey finish to match the tankless heater.

Dimensions: Width and depth of the heater, all are 16-1/2" tall.

- **RTG20227 (grey)**
For the RTGH-95DV, RTGH-95X, RTGH-90DV, RTGH-90X, RTGH-84DV, and RTGH-84X models*
- **RTG20217DVG (grey)**
For the RTG-95DV, RTG-84DV, RTG-64DV and RTG-66DV models*
- **RTG20217XG (grey)**
For the RTG-95X, RTG-84X, and RTG-66X models*
*Kits also applicable to models with "-1"



Outdoor Recess Boxes
Recess boxes enhance an outdoor installation by protecting the tankless unit from damage and tampering. It also provides additional protection from extreme weather. These boxes come in a grey finish and can be painted by the customer.

- **RTG20226**
For the RTGH-95, RTGH-90 and RTGH-84 X and XL models*
Rough-in Dimensions: 46" High, 19-1/2" Wide, 9-1/2" Deep
- **RTG20253 - Recess Box for Stucco Applications**
For the RTGH-84XL, RTGH-90XL and RTGH-95XL models*
Rough-in Dimensions: 46" High, 19-1/2" Wide, 9-1/2" Deep
- **RTG20218**
For the RTG-64, RTG-84, and RTG-95 X and XL models*
Rough in Dimensions: 42" High, 14-1/2" Wide, 8-1/2" Deep
- **RTG20238 - Retrofit Kit for 74X Recess Box**
Allows an RTG-95XL, RTG-84XL, RTG-64XL models*, to be installed in a first generation 74 Series Recess box without changing the box out. Kit includes 2 brackets, hardware, and instructions.
- **RTG20243 (grey)**
For the RTG-95, RTG-84, RTG-64 DV and DVL models*
- **RTG20248 - Recess Box for Stucco Applications**
For the RTG-64XL, RTG-84XL, and RTG-95XL models*
Rough in Dimensions: 42" High, 14-1/2" Wide, 8-1/2" Deep
*Kits also applicable to models with "-1"

Maximum Comfort

Recirculation Pump Kit (Timer Based)

For use with RTGH-84DVLN/XN-1, RTGH-90DVLN/XN-1, RTGH-95DVLN/XN-1, RTG-64DVLN/XN-1, RTG-84DVLN/XN-1 and RTG-95DVLN/XN-1



- **AP17920**
Kit contains: 1) Taco® 0015 recirculation pump with internal check valve, (2) Stainless steel flanges and flange gaskets, (4) 7/16"-14 Bolts and nuts, and (1) Installation instruction sheet

Maintenance and Service



Tankless Service Valves
Allow for easy maintenance and service, such as flushing, for your tankless water heater.

- **RTG20220AB**
Webstone service valves, clean brass for low lead code, includes relief valve



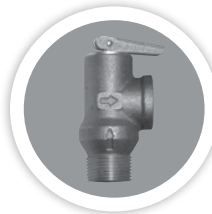
AllClear™ Water Treatment System
Combat hard water and scale build up

- **RTG20251**
AllClear™ Water Treatment System
- **RTG20252**
Replacement Cartridge



Tankless Flush Kit
Connects easily to tankless service valves. Allows for the flushing the heat exchanger with a cleaning solution such as white vinegar. Simple to use.

- **RTG20124**
Includes: 5-gallon bucket, submersible pump, and two hoses



Pressure Relief Valve
Provides protection against excessive water pressure for your tankless water heater.

- **AP12993C**
Watts pressure relief valve, Rated at 150psi – 3/4" threads

Remote Control Options

Tankless Remote Controls

Allow for easy temperature adjustment and maintenance information access. Connect up to 3 remote controls, one of each type, to your tankless system.



- **RTG20006DW**
UMC-117 Main Remote Control, Generic without branding
- **RTG20006DU**
USC1-117 Bath Remote Control, Generic without branding
- **RTG20006DV**
USC2-117 Second Bath Remote Control, Generic without branding
- **RTG20009-1**
10-ft. Thermostat Wire, 1 pair 18AWG

Tankless Manifold Systems

EZ-Link™: Connect two tankless water heaters

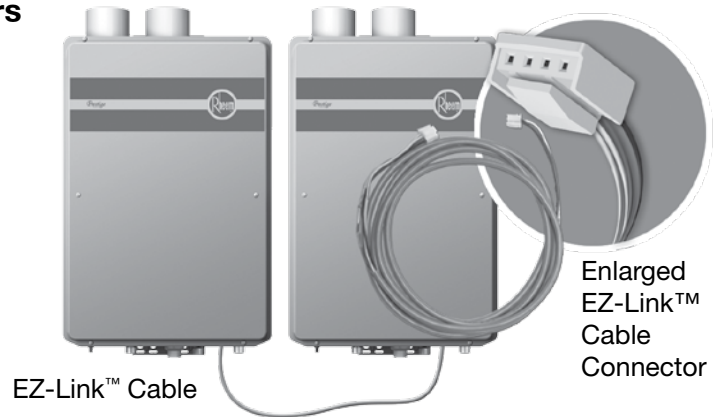
EZ-Link™ Cable

Connect two tankless water heaters together in a manifold*** †
This will allow two heaters to communicate together and operate as a single unit. Perfect for when one tankless is just not enough.

- RTG20040
6-ft. Long Cable with Connectors and Wire Support Clamps

*** Only two units may be connected together with the EZ-Link™ cable.

† Only Identical models: all RTG-95, RTG-84, RTG-64, RTGH-84, RTGH-90, and RTGH-95 models can be used with the EZ-Link Cable.



MIC-6 Manifold Controller System

Connect up to 6 tankless water heaters

MIC-6 Manifold Controller System

For the RTGH-95, RTGH-90, RTGH-84, RTG-95, RTG-84, and RTG-64 series models only. Connect up to 6 tankless water heaters together in a manifold. This kit mounts inside a single tankless unit and connects to up to 5 additional units for a total of 6.

Notice: This kit will not work on any model manufactured before Jan 2010.

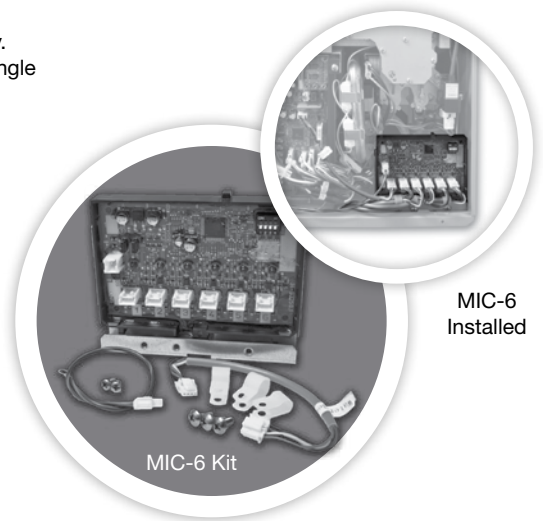
- RTG20213A
Connect up to 6 tankless water heaters together in a manifold. Includes (1) 1-ft. control cable and (1) 6-ft. control cable. Additional Type Q cables are necessary and listed below.

Manifold Control Cables (Type Q)

One required for each tankless water heater installed in a manifold. Connects a single tankless water heater to the MIC-6.

Notice: These cables will not fit the MIC-185 System.

- RTG20213B - MIC-Q-1 1-ft. Control Cable
- RTG20213C - MIC-Q-6 6-ft. Control Cable
- RTG20213D - MIC-Q-18 18-ft. Control Cable



MIC-185 Manifold Controller System

Connect up to 20 tankless water heaters



MIC-185 Manifold Controller System

- RTG20126A
Manifold and control up to 6 tankless models.* Includes installation cabinet for indoor or outdoor applications.

MICS-180 Manifold Controller Expansion Card

- RTG20126B
Add on to the MIC-185 for up to 20 units in total.** Installations of 7 to 20 units require this expansion card. Mounts inside the MIC-185 cabinet. Includes cables to connect to the MIC-185 board.

Replacement Manifold Control Board

- RTG20126W - MIC-185 Board
Replacement board for the MIC-180 or MIC-185.

Manifold Control Cables (Type K)

One required for each tankless water heater installed in a manifold. Connects a single tankless water heater to the MIC-180.

Notice: These cables will not fit the MIC-6.

- RTG20126C - MIC-K-16
16-ft. Control Cable
- RTG20126D - MIC-K-32
32-ft. Control Cable
- RTG20126E - MIC-K-65
65-ft. Control Cable



* Only RTG2-42, RTG-53 Models, RTG-66 or RTG-74, GT-199 models that have a -1 or greater suffix and all RTG-95, RTG-84, RTG-64, RTGH-84, RTGH-90 and RTGH-95 models. Commercial upgraded models will be limited to 180°F or 185°F in a manifold system. Residential models are limited to 140°F.

** This card provides control cable connection points for 7 - 20 units in multi-unit manifold.

Tankless Venting

PVC Termination Kits

for RTGH-84DVL, RTGH-90DVL and RTGH-95DVL



Horizontal Vent Termination

- SP20286 for 3" PVC
PTX-129
- SP20285 for 2" PVC
RXGY-G02

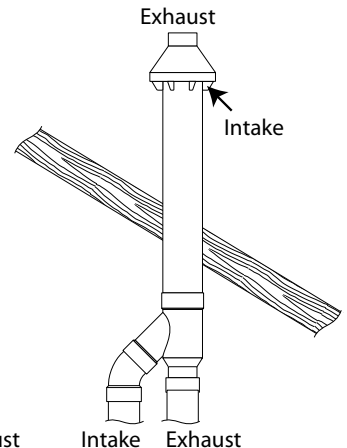
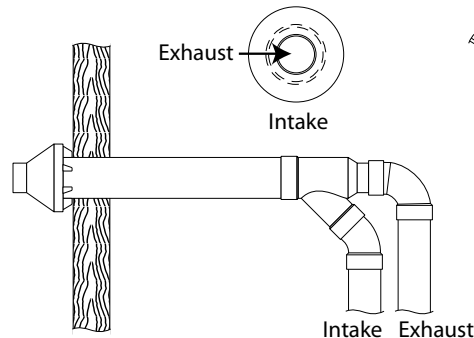
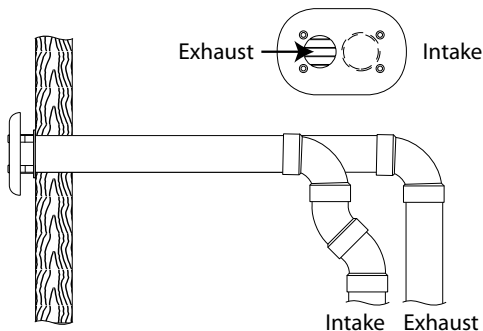
11-3/4" Wide, 8" Tall, 2-1/2" Deep
Fits PVC, ABS piping. Offers a clean installation of the intake and exhaust pipes of the condensing tankless water heater.



Horizontal or Vertical Concentric Vent Termination

- SP20245 for 3" PVC
RXGY-E03A

39" Long, 7-1/4" Diameter, 4-1/2" opening required. Fits PVC, ABS piping. Offers a clean 1/4" installation by combining the intake and exhaust pipes of the condensing tankless water heater into a single concentric vent termination.



3"/5" Stainless Steel Concentric Vent Kits by Metal Fab, Inc.

for RTG-64DVL, RTG-84DVL and RTG-95DVL models



Low-Profile Horizontal Vent Termination Kit by Metal Fab, Inc.

- RTG20231
Contains: 90-Degree Elbow, Short Low-Profile Termination, Screws. For 2" x 4" Wall with 1-1/2" Siding. For up to 6" walls. Can be extended. MF3CGVPHK3
- RTG20234
Contains: 90-Degree Elbow, Short Low-Profile Termination, Screws. For 2" x 6" Wall with 1-1/2" Siding. For up to 8" walls. Can be extended. MF3CGVPHK4
- RTG20257
Contains: 90-Degree Elbow, Short Low-Profile Termination, Trim Ring, Screws. For up to 10" walls. Can be extended.
- RTG20258
Contains: 90-Degree Elbow, Short Low-Profile Termination, Trim Ring, Screws. For up to 12" walls. Can be extended.
- RTG20230
4" Short Low-Profile Termination
- RTG20233
6" Long Low-Profile Termination
- RTG20259
8" Long Low-Profile Termination
- RTG20260
10" Long Low-Profile Termination



Horizontal Vent Termination Kit by Metal Fab, Inc.

- RTG20210
Contains: 94-Degree Elbow, Long Termination, (1) 12" Wall Plate, Screws. For up to 10" walls. Can be extended. MF3CGVPHK1



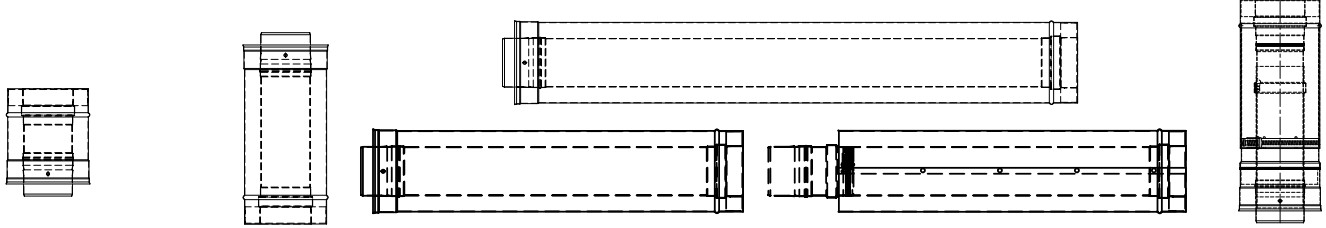
Vertical Vent Termination Kit by Metal Fab, Inc.

- RTG20211
Contains: Storm Collar, 6/12 to 12/12 Pitched Cone Flashing, Vertical Termination with Rain Cap. Does not include vertical vent pipe. MF3CGVVK1

Tankless Venting

3"/5" Stainless Steel Concentric Tankless Venting by Metal Fab, Inc.

for RTG-64DVL, RTG-84DVL and RTG-95DVL models



6" Vent Length
 • RTG20151W
 5.66" overall length
 MF3CGV6

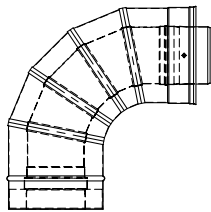
12" Vent Length
 • RTG20151R
 11.66" overall length
 MF3CGV12

24" Vent Length
 • RTG20151C-1
 23.66" overall length
 MF3CGV24

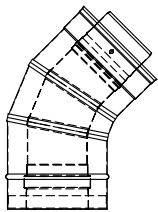
36" Vent Length
 • RTG20151D-1
 35.66" overall length
 MF3CGV36

Adjustable Vent Length
 • RTG20151E-1
 7.5" to 22" overall length
 MF3GVL22

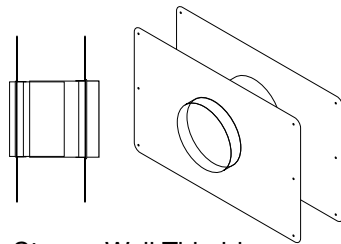
Adjustable Vent Length
 • RTG20151Y
 13" to 20" overall length
 MF3CGVVAL20



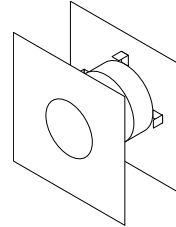
90-Degree Elbow
 • RTG20151A-1
 8.1" rise - 8.1" run
 MF3CGV90L



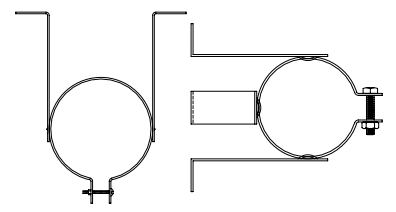
45-Degree Elbow
 • RTG20151B-1
 8.6" rise - 3" run
 MF3CGV45L



Stucco Wall Thimble
 • RTG20151Z
 17" Wide - 12" Tall
 Up to 6" Deep Wall with
 Drywall and Stucco Rings
 MF3CGVWPKS

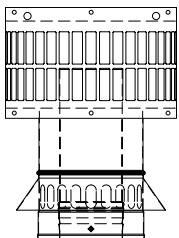


Wall Thimble
 • RTG20151X
 12" Square, Up to
 8" Deep Wall
 MF3CGVWPK



Wall Hanger
 • RTG20151H
 2-point pivot
 mounting
 MF3CGVWH1

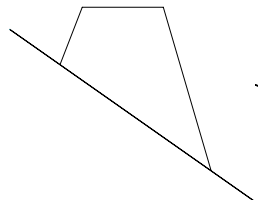
Wall Support
 • RTG20151G
 3-point
 mounting
 MF3CGVWS1



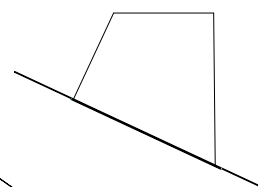
Vertical Cap Termination
 • RTG20151P
 12" overall height
 MF3CGVPVT



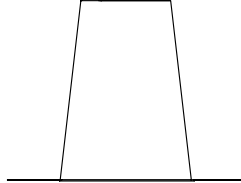
Storm Collar
 • RTG20151M-1
 split ring
 galvanized
 MF3CGVSC



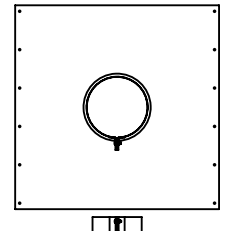
6/12 to 12/12 Roof Flashing
 • RTG20151K-1
 15" square base
 galvanized
 MF3CGVF-12



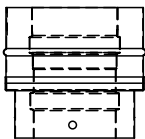
2/12 to 5/12 Roof Flashing
 • RTG20151L-1
 15" square base
 galvanized
 MF3CGVF



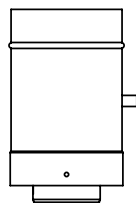
Tall Cone Roof Flashing
 • RTG20151J-1
 15" square base
 galvanized
 MF3CGVFT



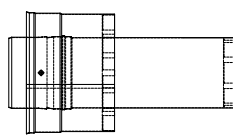
Support Plate
 • RTG20151T
 17" square base
 support/fire stop
 MF3CGVPS



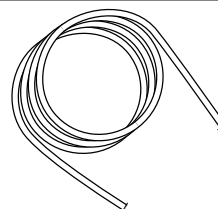
Appliance Adapter
 • RTG20144-3
 Fits RTG-66 or 53DV
 5" overall length
 MF3CGVPA



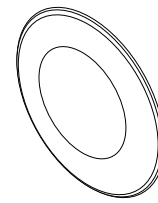
Condensate Drain
 • RTG20151S
 horizontal and vertical
 8.6" overall length
 MF3CGVDS



Horizontal Termination
 • RTG20128-2
 Short for 4" wall
 horizontal only
 MF3CGVPHT



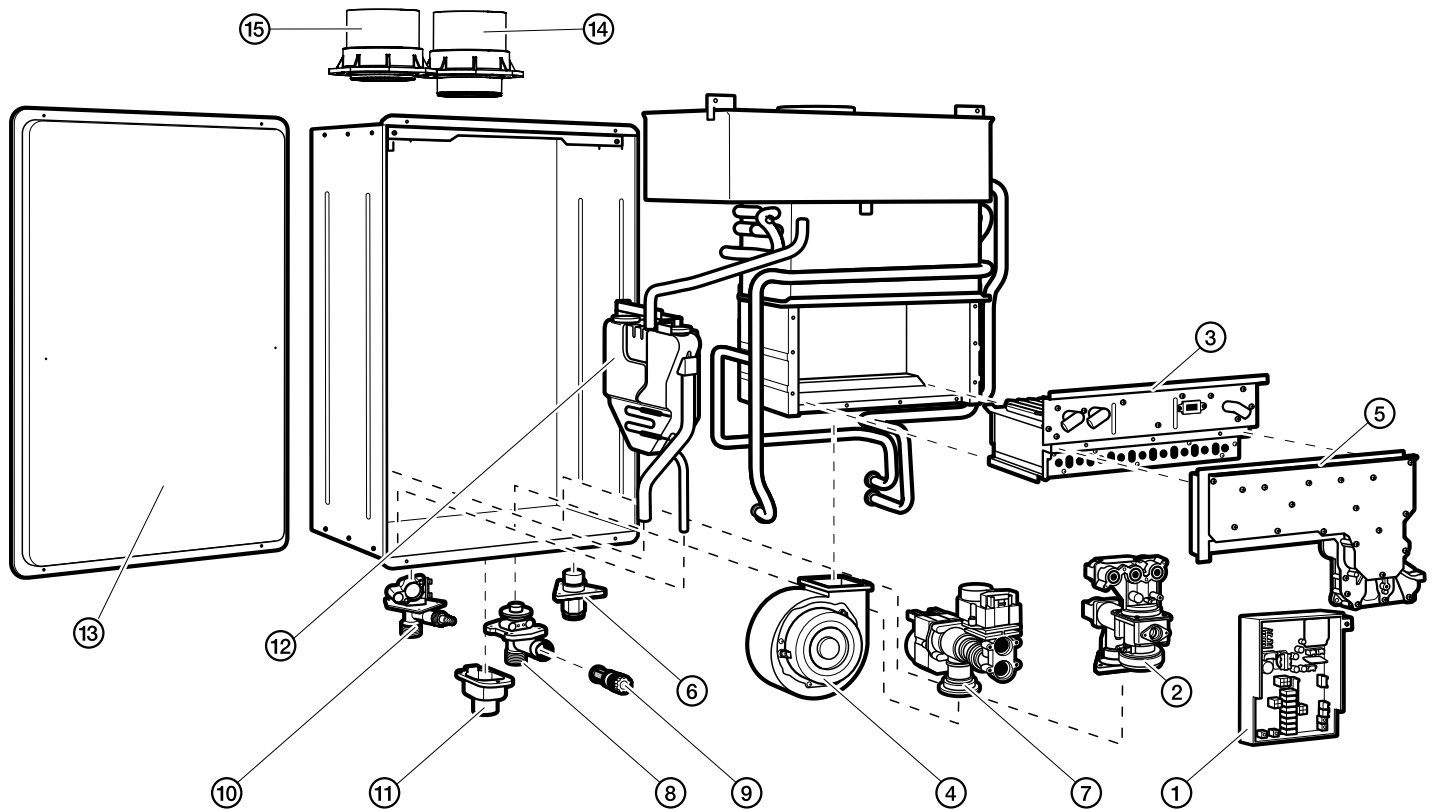
Silicone Condensate Drain Tube Kit
 • RTG20150A
 6' high temperature
 silicone tube, 2 clamps,
 2 wire ties, instructions



Trim Ring
 • RTG20151AA
 Indoor/Outdoor
 8.9" Dia - 5.25"
 Hole - Galv
 MF3CGTR

NOTICE:
 The components listed on this page are manufactured by Metal Fab, Inc. and are not compatible with venting components manufactured by Heat-Fab listed in previous versions in the Tankless Parts and Accessories Catalog, or any other brand of venting. Make no attempt to use venting components manufactured by different companies on a single installation.

Parts for RTGH-84DVLN-1, RTGH-90DVLN-1, RTGH-95DVLN-1 Series



Program Chips

Fuel Type	RTGH-84DVLN-1	RTGH-90DVLN-1	RTGH-95DVLN-1
Natural	RTG20239AJ	RTG20239AN	RTG20239AE
Propane	RTG20239AK	RTG20239AP	RTG20239AF

185°F Temperature Upgrade Kits - Commercial and Hydronic

Fuel Type	RTGH-84DVLN-1	RTGH-90DVLN-1	RTGH-95DVLN-1
Natural	RTG20256A	RTG20255A	RTG20254A
Propane	RTG20256B	RTG20255B	RTG20254B

Accessories

Venting

SP20286 (PTX-129) 3" Horizontal Termination Kit
 SP20285 (RXGY-G02) 2" Horizontal Termination Kit
 SP20245 (RXGY-E03A) 3" Concentric Horizontal/Vertical Termination Kit

Remote Controls

RTG20006DW UMC-117 Main Remote Control
 RTG20006DU USC1-117 Bath Remote Control
 RTG20006DV USC2-117 Second Bath Remote Control

Pipe Covers

RTG20227 Pipe Cover (grey)

Service Valves

RTG20220 Tankless Service Valve Kit with Relief Valve
 RTG20220AB Tankless Service Valve Kit with Relief Valve - California Code

Relief Valve

AP12993C Pressure Relief Valve

EZ-Link™ Cable

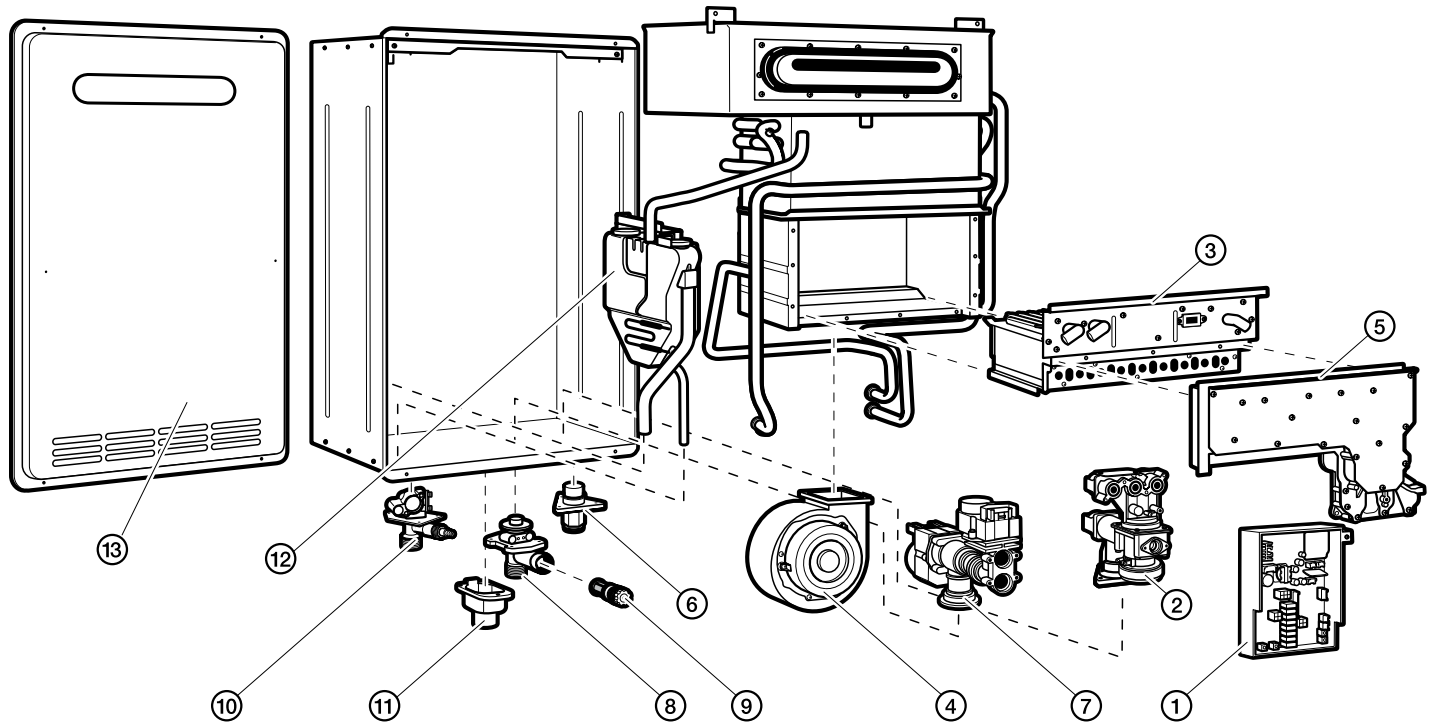
RTG20040 6-ft. EZ-Link™ Cable

Parts for RTGH-84DVLN-1, RTGH-90DVLN-1, RTGH-95DVLN-1 Series

Ref #	Rheem Part #	Description	RTGH-84DVLN-1	RTGH-90DVLN-1	RTGH-95DVLN-1
1	RTG20239AC	Control Board	•	•	•
	RTG20006AR	Inlet Thermistor - White	•	•	•
	RTG20212BC	Heat Exchanger Thermistor - Yellow	•	•	•
	RTG20006BB	Outlet Thermistor - Black	•	•	•
	RTG20006UW	Ambient Thermistor - Blue	•	•	•
	RTG20223L	Vent High Temperature Limit Switch	•	•	•
	RTG20239M	Thermistor Wiring Harness	•	•	•
2	RTG20239AY	Gas Control Valve	•	•	•
	RTG20239AD	Gas Control Wiring Harness	•	•	•
3	RTG20235AD	Burner Assembly	•	•	•
	RTG20235C	Igniter Coil	•	•	•
	RTG20212BD	Igniter Rod (IG) (with gasket)	•	•	•
4	RTG20212K	Blower Motor	•	•	•
	RTG20223K	Blower Case	•	•	•
5	RTG20235W	Burner Manifold - LP	•	•	•
5	RTG20239AA	Burner Manifold NAT	•	•	•
	RTG20212BE	Flame Rod FL-1 (with gasket)	•	•	•
	RTG20235AX	Flame Rod Wire (White)	•	•	•
	RTG20212BF	Flame Rod FL-2 (with gasket)	•	•	•
	RTG20223M	Flame Rod Wire (Blue)	•	•	•
6	RTG20164K	Gas Inlet Connector 3/4"	•	•	•
7	RTG20164L	Water Control Valve	•	•	•
	RTG20235X	Bypass Assembly	•	•	•
8	RTG20164J	Water Inlet Connector 3/4"	•	•	•
9	RTG20164AK	Inlet Water Filter	•	•	•
10	RTG20074CE	Hot Water Outlet Connector 3/4"	•	•	•
11	RTG20164AA	Remote Control Terminal Block	•	•	•
	RTG20212U	Remote Control Terminal	•	•	•
12	RTG20239AX	Neutralization Replacement Kit	•	•	•
13	RTG20239Z	Front Cover - No Labels or Branding	•	•	•
14	RTG20223Y	Exhaust Vent Outlet Connector - PVC	•	•	•
15	RTG20223X	Air Intake Inlet Connector - PVC	•	•	•
	RTG20074EH	Gas Shutoff Valve 3/4"	•	•	•
	RTG20186	Replacement Screw Kit	•	•	•
	RTG20206	Replacement O-Ring Kit	•	•	•
	RTG20235AB	Thermostat Assembly	•	•	•

See Pages 6 - 9 for additional Accessories, Manifold Systems, and Venting Options.

Parts for RTGH-84XLN-1, RTGH-90XLN-1, RTGH-95XLN-1 Series



Program Chips

Fuel Type	RTGH-84XLN-1	RTGH-90XLN-1	RTGH-95XLN-1
Natural	RTG20239AL	RTG20239AR	RTG20239AG
Propane	RTG20239AM	RTG20239AS	RTG20239AH

185°F Temperature Upgrade Kits - Commercial and Hydronic

Fuel Type	RTGH-84XLN-1	RTGH-90XLN-1	RTGH-95XLN-1
Natural	RTG20256C	RTG20255C	RTG20254C
Propane	RTG20256D	RTG20255D	RTG20254D

Accessories

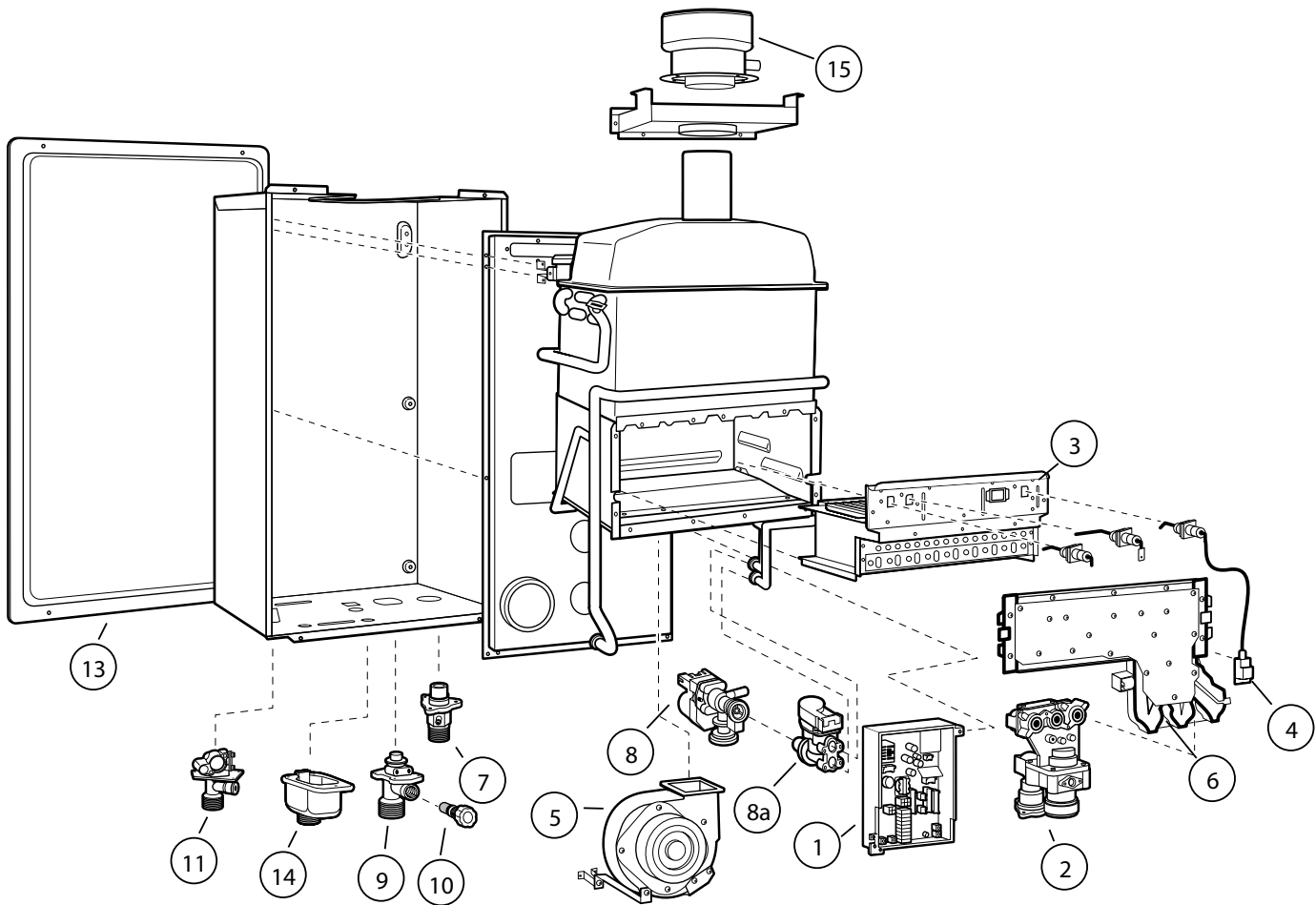
Remote Controls	RTG20006DW UMC-117 Main Remote Control RTG20006DU USC1-117 Bath Remote Control RTG20006DV USC2-117 Second Bath Remote Control
Pipe Covers	RTG20227 Pipe Cover (grey)
Recess Box	RTG20226 Recess Box (grey)
Service Valves	RTG20220 Tankless Service Valve Kit with Relief Valve RTG20220AB Tankless Service Valve Kit with Relief Valve - California Code
Relief Valve	AP12993C Pressure Relief Valve
EZ-Link™ Cable	RTG20040 6-ft. EZ-Link™ Cable

Parts for RTGH-84XLN-1, RTGH-90XLN-1, RTGH-95XLN-1 Series

Ref #	Rheem Part #	Description	RTGH-84XLN-1	RTGH-90XLN-1	RTGH-95XLN-1
1	RTG20239AC	Control Board	•	•	•
	RTG20006AR	Inlet Thermistor - White	•	•	•
	RTG20212BC	Heat Exchanger Thermistor - Yellow	•	•	•
	RTG20006BB	Outlet Thermistor - Black	•	•	•
	RTG20006UW	Ambient Thermistor - Blue	•	•	•
	RTG20239M	Thermistor Wiring Harness	•	•	•
2	RTG20239AY	Gas Control Valve	•	•	•
	RTG20239AD	Gas Control Wiring Harness	•	•	•
3	RTG20235U	Burner Assembly	•	•	•
	RTG20235C	Igniter Coil	•	•	•
	RTG20212BD	Igniter Rod (IG) (with gasket)	•	•	•
4	RTG20212AB	Blower Motor	•	•	•
	RTG20212AC	Blower Case	•	•	•
5	RTG20235W	Burner Manifold - LP	•	•	•
5	RTG20239A	Burner Manifold NAT	•	•	•
	RTG20212BE	Flame Rod FL-1 (with gasket)	•	•	•
	RTG20235AX	Flame Rod Wire (White)	•	•	•
6	RTG20164K	Gas Inlet Connector 3/4"	•	•	•
7	RTG20164L	Water Control Valve	•	•	•
	RTG20235X	Bypass Assembly	•	•	•
8	RTG20164J	Water Inlet Connector 3/4"	•	•	•
9	RTG20164AK	Inlet Water Filter	•	•	•
10	RTG20074CE	Hot Water Outlet Connector 3/4"	•	•	•
	RTG20006AV	Drain Plug with Relief	•	•	•
11	RTG20164AA	Remote Control Terminal Block	•	•	•
	RTG20212U	Remote Control Terminal	•	•	•
12	RTG20239AX	Neutralization Replacement Kit	•	•	•
13	RTG20239Y	Front Cover - No Labels or Branding	•	•	•
	RTG20074EH	Gas Shutoff Valve 3/4"	•	•	•
	RTG20186	Replacement Screw Kit	•	•	•
	RTG20206	Replacement O-Ring Kit	•	•	•
	RTG20235AB	Thermostat Assembly	•	•	•

See Pages 6 - 9 for additional Accessories, Manifold Systems, and Venting Options.

Parts for RTG-64DVLN-1, RTG-84DVLN-1, RTG-95DVLN-1 Series



Program Chips

Fuel Type	RTG-64DVLN-1	RTG-84DVLN-1	RTG-95DVLN-1
Natural	RTG20235AN	RTG20235AJ	RTG20235AE
Propane	RTG20235AP	RTG20235AK	RTG20235AF

185°F Temperature Upgrade Kits - Commercial and Hydronic

Fuel Type	RTG-64DVLN-1	RTG-84DVLN-1	RTG-95DVLN-1
Natural	–	RTG20250A	RTG20249A
Propane	–	RTG20250B	RTG20249B

Accessories

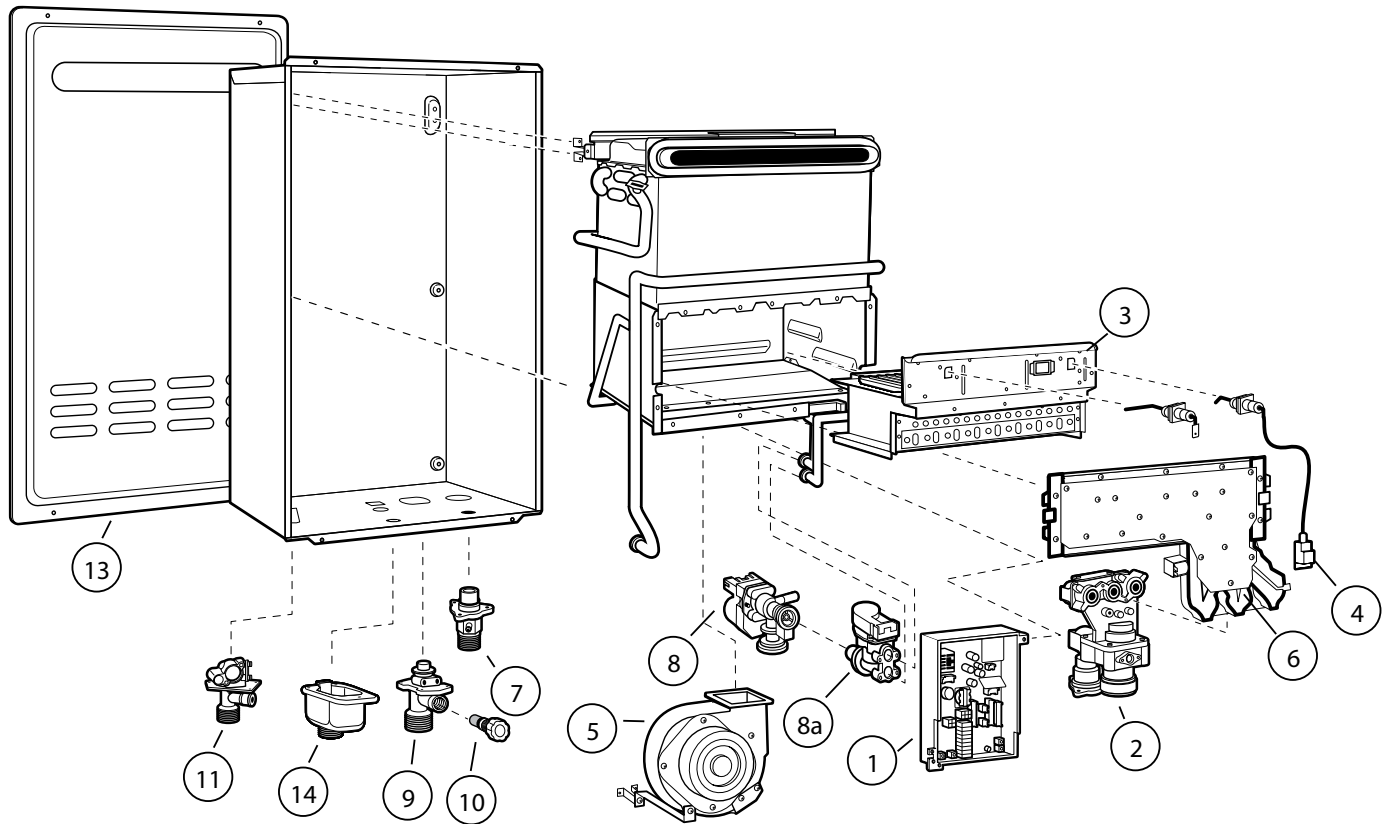
Remote Controls	RTG20006DW UMC-117 Main Remote Control RTG20006DU USC1-117 Bath Remote Control RTG20006DV USC2-117 Second Bath Remote Control
Pipe Covers	RTG20217DVG Pipe Cover (grey)
Service Valves	RTG20220 Tankless Service Valve Kit with Relief Valve RTG20220AB Tankless Service Valve Kit with Relief Valve - California Code
Relief Valve	AP12993C Pressure Relief Valve
EZ-Link™ Cable	RTG20040 6-ft. EZ-Link™ Cable

Parts for RTG-64DVLN-1, RTG-84DVLN-1, RTG-95DVLN-1 Series

Ref #	Rheem Part #	Description	RTG-64DVLN-1	RTG-84DVLN-1	RTG-95DVLN-1
1	RTG20235Y	Control Board	•	•	•
	RTG20006UW	Ambient Thermistor - Blue	•	•	•
	RTG20212BC	Heat Exchanger Thermistor - Yellow	•	•	•
	RTG20006AR	Inlet Thermistor - White	•	•	•
	RTG20006BB	Outlet Thermistor - Black	•	•	•
	RTG20239M	Thermistor Wiring Harness	•	•	•
2	RTG20235AC	Gas Valve Assy	•	•	•
3	RTG20235AD	Burner Assembly	•	•	•
6	RTG20235V	Burner Manifold - NAT	•	•	•
6	RTG20235W	Burner Manifold - LP	•	•	•
	RTG20212BE	Flame Rod "FL1" (Right) w/gasket	•	•	•
	RTG20212J	Gas Control Resistor	•	•	•
	RTG20212BF	Flame Rod "Sensor" (Left) w/gasket	•	•	•
	RTG20212N	Flame Rod Wire (Blue)	•	•	•
	RTG20235AX	Flame Rod Wire (White)	•	•	•
4	RTG20235C	Igniter Coil	•	•	•
	RTG20212BD	Igniter Rod (Right) w/gasket	•	•	•
5	RTG20212K	Blower Motor	•	•	•
	RTG20212L	Blower Case	•	•	•
7	RTG20164K	Gas Inlet Connector ¾"	•	•	•
8	RTG20164L	Water Control Valve	•	•	•
8a	RTG20235X	Water Bypass Valve	•	•	•
9	RTG20164J	Water Inlet Connector ¾"	•	•	•
11	RTG20074CE	Hot Water Outlet Connector ¾"	•	•	•
14	RTG20212U	Remote Control Terminal	•	•	•
	RTG20164AA	Remote Control Terminal Block	•	•	•
	RTG20006AV	Drain Plug with Relief	•	•	•
	RTG20212A	Top Mounting Bracket	•	•	•
	RTG20212B	Bottom Mounting Bracket	•	•	•
	RTG20164AB	Screw Pan FT 4X12	•	•	•
10	RTG20164AK	Inlet Water Filter	•	•	•
13	RTG20235AU	Front Cover - No Labels or Branding	•	•	•
15	RTG20212BB	Concentric Vent Connector Assembly	•	•	•
	RTG20074EH	Gas Shutoff Valve ¾"	•	•	•
	RTG20186	Replacement Screw Kit	•	•	•
	RTG20206	Replacement O-Ring Kit	•	•	•
	RTG20235AB	Thermostat Assembly	•	•	•

See Pages 6 - 9 for additional Accessories, Manifold Systems, and Venting Options.

Parts for RTG-64XLN-1, RTG-84XLN-1, RTG-95XLN-1 Series



Program Chips

Fuel Type	RTG-64XLN-1	RTG-84XLN-1	RTG-95XLN-1
Natural	RTG20235AR	RTG20235AL	RTG20235AG
Propane	RTG20235AS	RTG20235AM	RTG20235AH

185°F Temperature Upgrade Kits - Commercial and Hydronic

Fuel Type	RTG-64XLN-1	RTG-84XLN-1	RTG-95XLN-1
Natural	-	RTG20250C	RTG20249C
Propane	-	RTG20250D	RTG20249D

Accessories

Remote Controls

RTG20006DW UMC-117 Main Remote Control
 RTG20006DU USC1-117 Bath Remote Control
 RTG20006DV USC2-117 Second Bath Remote Control

Pipe Covers

RTG20217XG Pipe Cover (grey)

Recess Box

RTG20218 Recess Box (grey)

Service Valves

RTG20220 Tankless Service Valve Kit with Relief Valve
 RTG20220AB Tankless Service Valve Kit with Relief Valve - California Code

Relief Valve

AP12993C Pressure Relief Valve

EZ-Link™ Cable

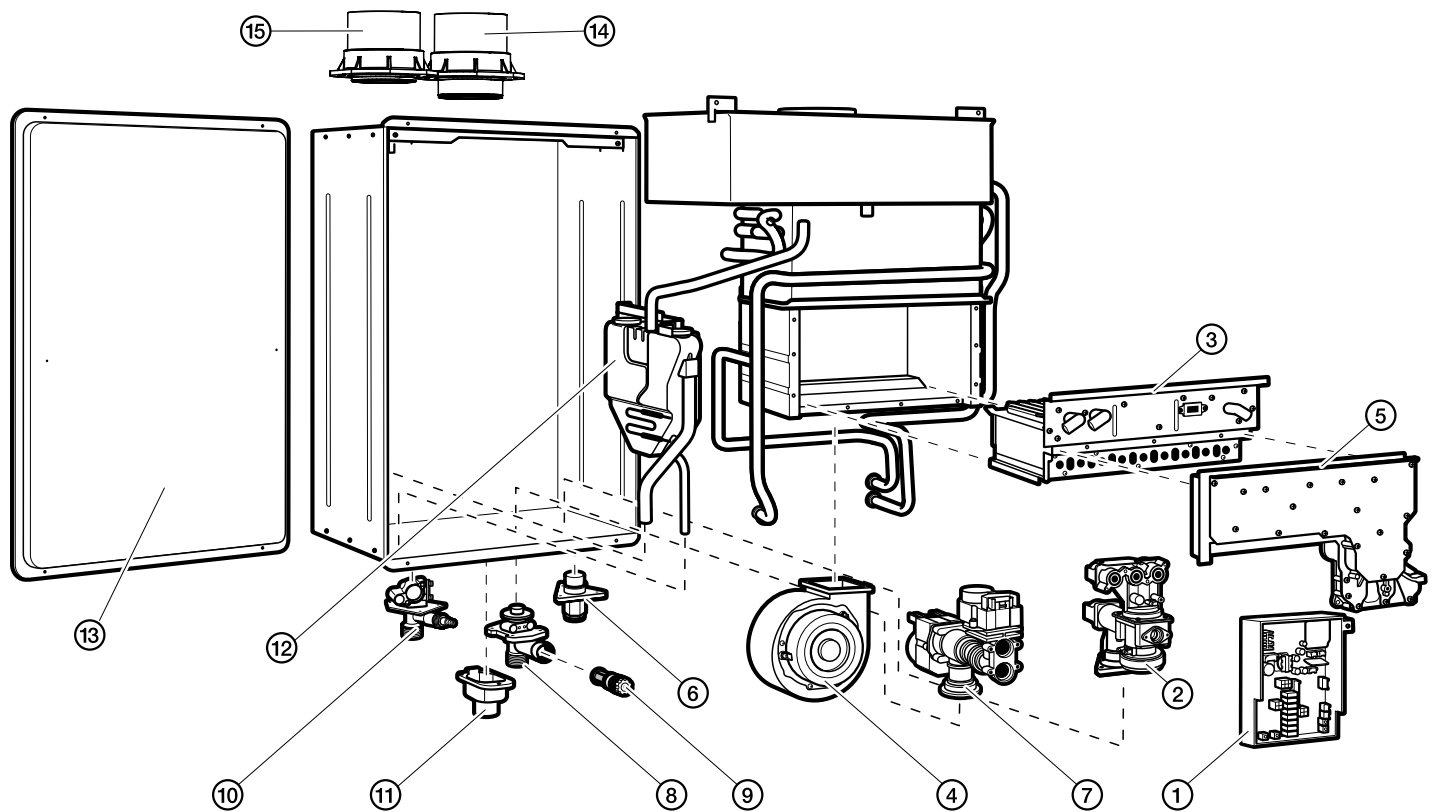
RTG20040 6-ft. EZ-Link™ Cable

Parts for RTG-64XLN-1, RTG-84XLN-1, RTG-95XLN-1 Series

Ref #	Rheem Part #	Description	RTG-64XLN-1	RTG-84XLN-1	RTG-95XLN-1
1	RTG20235Y	Control Board	•	•	•
	RTG20212BC	Heat Exchanger Thermistor - Yellow	•	•	•
	RTG20006BB	Outlet Thermistor - Black	•	•	•
	RTG20006AR	Inlet Thermistor - White	•	•	•
	RTG20006UW	Ambient Thermistor - Blue	•	•	•
	RTG20239M	Thermistor Wiring Harness	•	•	•
2	RTG20235T	Gas Valve Assy	•	•	•
	RTG20212J	Gas Control Resister	•	•	•
3	RTG20235U	Burner Assembly	•	•	•
	RTG20212BE	Flame Rod "FL" (Right) w/gasket	•	•	•
	RTG20212BD	Igniter Rod (Right) w/gasket	•	•	•
	RTG20235AX	Flame Rod Connector (White)	•	•	•
4	RTG20235C	Igniter Coil	•	•	•
5	RTG20212AB	Blower Motor	•	•	•
	RTG20212AC	Blower Case	•	•	•
6	RTG20235V	Burner Manifold - NAT	•	•	•
6	RTG20235W	Burner Manifold - LP	•	•	•
7	RTG20164K	Gas Inlet Connector 3/4"	•	•	•
8	RTG20164L	Water Control Valve	•	•	•
8a	RTG20235X	Water Bypass Valve	•	•	•
9	RTG20164J	Water Inlet Connector 3/4"	•	•	•
	RTG20006AV	Drain Plug with Relief	•	•	•
11	RTG20074CE	Hot Water Outlet Connector 3/4"	•	•	•
	RTG20164AA	Remote Control Terminal Block	•	•	•
	RTG20164AB	Screw Pan FT 4X12	•	•	•
10	RTG20164AK	Inlet Water Filter	•	•	•
13	RTG20235AT	Front Cover - No Labels or Branding	•	•	•
	RTG20074EH	Gas Shutoff Valve 3/4"	•	•	•
	RTG20186	Replacement Screw Kit	•	•	•
	RTG20206	Replacement O-Ring Kit	•	•	•
	RTG20235AB	Thermostat Assembly	•	•	•

See Pages 6 - 9 for additional Accessories, Manifold Systems, and Venting Options.

Parts for RTGH-84, RTGH-90, RTGH-95 DV and DVL Series



Program Chips

Fuel Type	RTGH-84DV	RTGH-95DV	RTGH-84DVL	RTGH-90DVL	RTGH-95DVL
Natural	RTG20228T	RTG20228N	RTG20239G	RTG20239P	RTG20239C
Propane	RTG20228U	RTG20228P	RTG20239H	RTG20239R	RTG20239D

185°F Temperature Upgrade Kits - Commercial and Hydronic

Fuel Type	RTGH-84DV	RTGH-95DV	RTGH-84DVL	RTGH-90DVL	RTGH-95DVL
Natural	RTG20225A	RTG20224A	RTG20241A	RTG20244A	RTG20240A
Propane	RTG20225B	RTG20224B	RTG20241B	RTG20244B	RTG20240B

Accessories

Venting

SP20286 (RXGY-G01) 3" Horizontal Termination Kit
 SP20285 (RXGY-G02) 2" Horizontal Termination Kit
 SP20245 (RXGY-E03A) 3" Concentric Horizontal/Vertical Termination Kit

Remote Controls

RTG20006DW UMC-117 Main Remote Control
 RTG20006DU USC1-117 Bath Remote Control
 RTG20006DV USC2-117 Second Bath Remote Control

Pipe Covers

RTG20227 Pipe Cover (grey)

Service Valves

RTG20220 Tankless Service Valve Kit with Relief Valve
 RTG20220AB Tankless Service Valve Kit with Relief Valve - California Code

Relief Valve

AP12993C Pressure Relief Valve

EZ-Link™ Cable

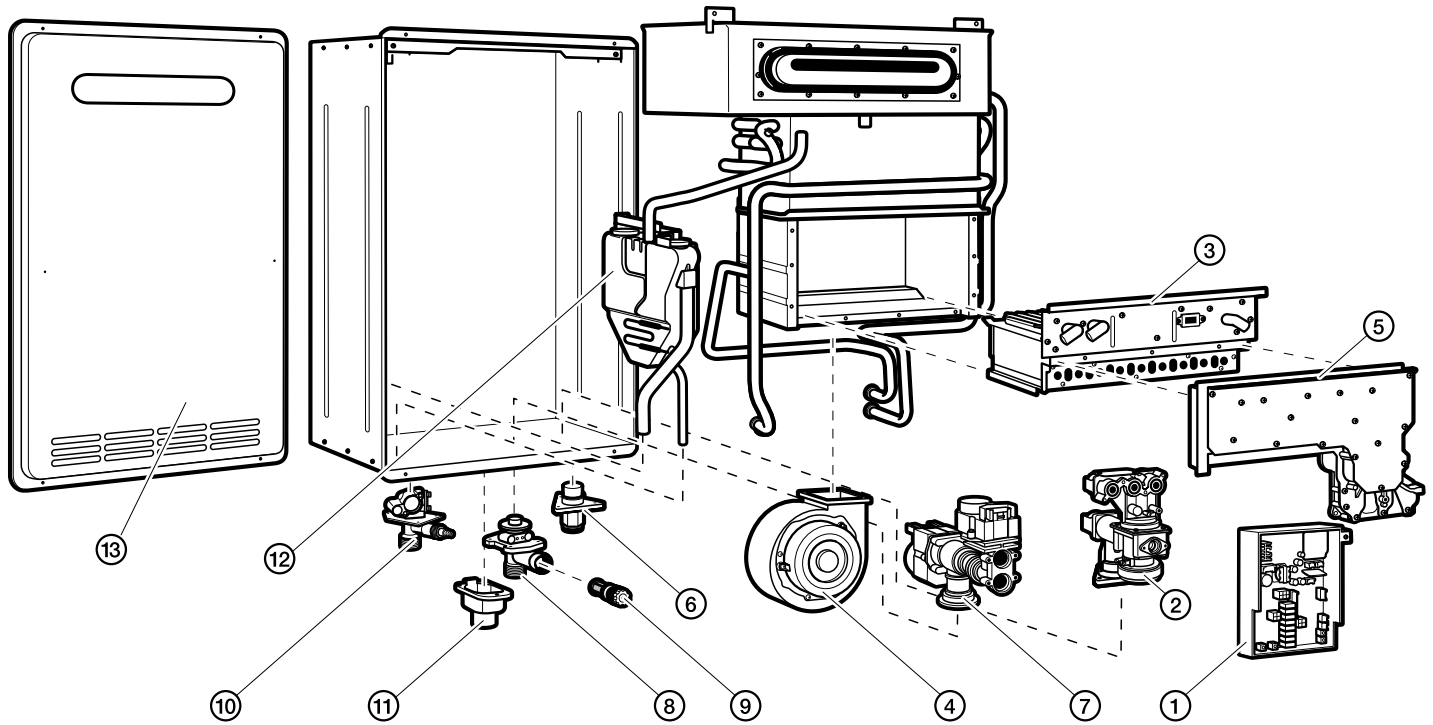
RTG20040 6-ft. EZ-Link™ Cable

Parts for RTGH-84, RTGH-90, RTGH-95 DV and DVL Series

Ref #	Rheem Part #	Description	RTGH-84DV	RTGH-95DV	RTGH-84DVL	RTGH-90DVL	RTGH-95DVL
1	RTG20223P	Control Board	•	•			
1	RTG20239B	Control Board			•	•	•
	RTG20223D	Inlet Thermistor - White	•	•			
	RTG20006AR	Inlet Thermistor - White			•	•	•
	RTG20223G	Heat Exchanger Thermistor - Green	•	•			
	RTG20212BC	Heat Exchanger Thermistor - Yellow			•	•	•
	RTG20223H	Outlet Thermistor - Black	•	•			
	RTG20006BB	Outlet Thermistor - Black			•	•	•
	RTG20223J	Ambient Thermistor - Blue	•	•			
	RTG20006UW	Ambient Thermistor - Blue			•	•	•
	RTG20223L	Vent High Temperature Limit Switch	•	•	•	•	•
	RTG20223W	Thermistor Wiring Harness	•	•			
	RTG20239M	Thermistor Wiring Harness			•	•	•
2	RTG20212V	Gas Control Valve	•	•	•	•	•
	RTG20223V	Gas Control Wiring Harness	•	•			
	RTG20239L	Gas Control Wiring Harness			•	•	•
3	RTG20212D	Burner Assembly	•	•	•	•	•
	RTG20235C	Igniter Coil	•	•	•	•	•
	RTG20212BD	Igniter Rod (IG) (with gasket)	•	•	•	•	•
4	RTG20212K	Blower Motor	•	•	•	•	•
	RTG20223K	Blower Case	•	•	•	•	•
5	RTG20212F	Burner Manifold LP	•	•			
5	RTG20235B	Burner Manifold - LP			•	•	•
5	RTG20212X	Burner Manifold NAT	•	•			
5	RTG20239A	Burner Manifold NAT			•	•	•
	RTG20212BE	Flame Rod FL-1 (with gasket)	•	•	•	•	•
	RTG20212P	Flame Rod Wire (White)	•	•	•	•	•
	RTG20212BF	Flame Rod FL-2 (with gasket)	•	•	•	•	•
	RTG20223M	Flame Rod Wire (Blue)	•	•	•	•	•
6	RTG20164K	Gas Inlet Connector 3/4"	•	•	•	•	•
7	RTG20223E	Water Control Valve	•	•			
	RTG20164L	Water Control Valve			•	•	•
	RTG20164M	Bypass Assembly	•	•	•	•	•
8	RTG20164J	Water Inlet Connector 3/4"	•	•	•	•	•
9	RTG20164AK	Inlet Water Filter	•	•	•	•	•
10	RTG20074CE	Hot Water Outlet Connector 3/4"	•	•	•	•	•
11	RTG20164AA	Remote Control Terminal Block	•	•	•	•	•
	RTG20212U	Remote Control Terminal	•	•	•	•	•
12	RTG20223F	Neutralization Replacement Kit	•	•			
	RTG20239N	Neutralization Replacement Kit			•	•	•
13	RTG20223B	Front Cover - No Labels or Branding	•	•	•	•	•
14	RTG20223Y	Exhaust Vent Outlet Connector - PVC	•	•	•	•	•
15	RTG20223X	Air Intake Inlet Connector - PVC	•	•	•	•	•
	RTG20074EH	Gas Shutoff Valve 3/4"	•	•	•	•	•
	RTG20186	Replacement Screw Kit	•	•	•	•	•
	RTG20206	Replacement O-Ring Kit	•	•	•	•	•

See Pages 6 - 9 for additional Accessories, Manifold Systems, and Venting Options.

Parts for RTGH-84, RTGH-90, RTGH-95 X and XL Series



Program Chips

Fuel Type	RTGH-84X	RTGH-95X	RTGH-84XL	RTGH-90XL	RTGH-95XL
Natural	RTG20228V	RTG20228R	RTG20239J	RTG20239S	RTG20239E
Propane	RTG20228W	RTG20228S	RTG20239K	RTG20239T	RTG20239F

185°F Temperature Upgrade Kits - Commercial and Hydronic

Fuel Type	RTGH-84X	RTGH-95X	RTGH-84XL	RTGH-90XL	RTGH-95XL
Natural	RTG20225C	RTG20224C	RTG20241C	RTG20244C	RTG20240C
Propane	RTG20225D	RTG20224D	RTG20241D	RTG20244D	RTG20240D

Accessories

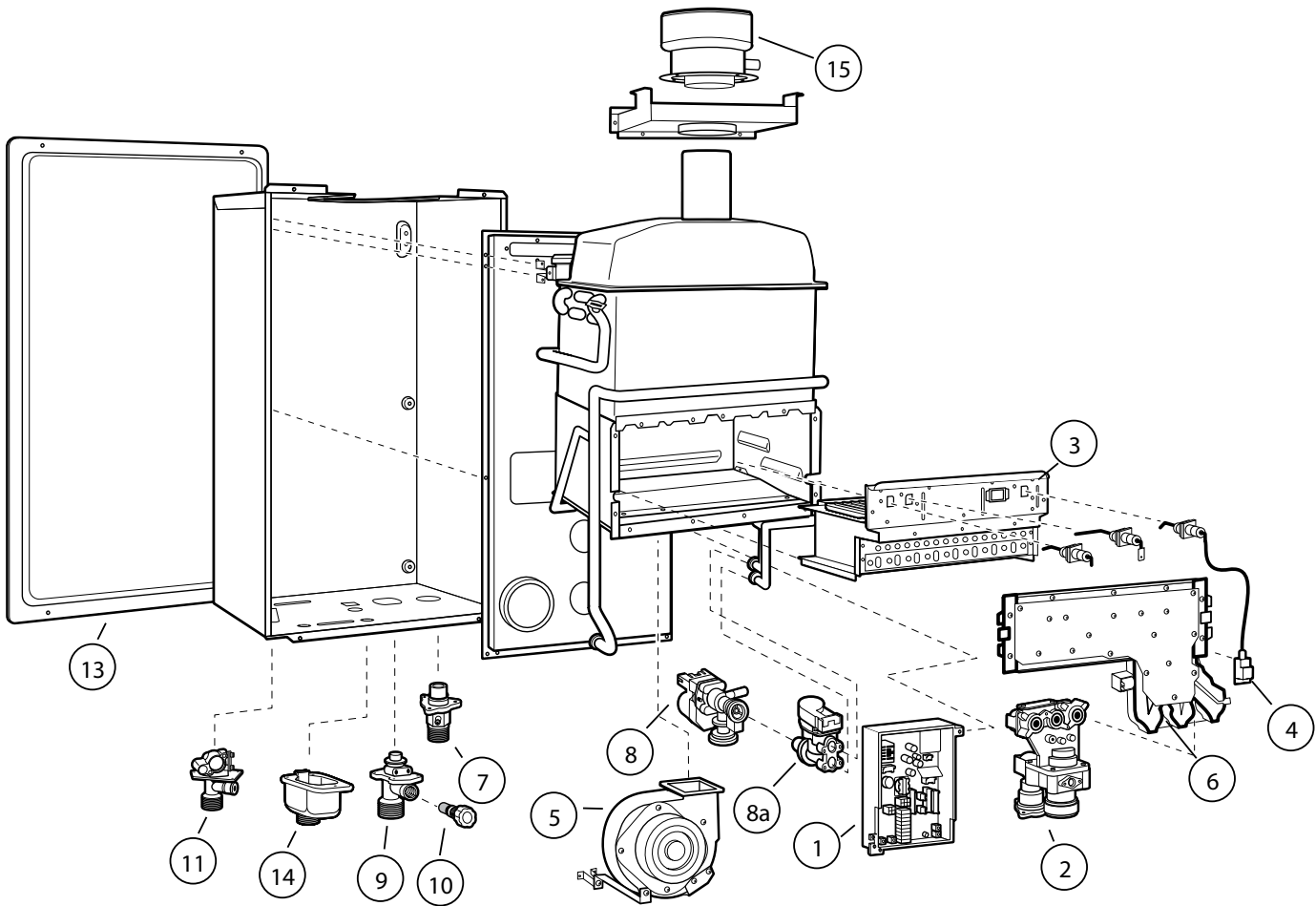
Remote Controls	RTG20006DW UMC-117 Main Remote Control RTG20006DU USC1-117 Bath Remote Control RTG20006DV USC2-117 Second Bath Remote Control
Pipe Covers	RTG20227 Pipe Cover (grey)
Recess Box	RTG20226 Recess Box (grey)
Service Valves	RTG20220 Tankless Service Valve Kit with Relief Valve RTG20220AB Tankless Service Valve Kit with Relief Valve - California Code
Relief Valve	AP12993C Pressure Relief Valve
EZ-Link™ Cable	RTG20040 6-ft. EZ-Link™ Cable

Parts for RTGH-84, RTGH-95 X and XL Series

Ref #	Rheem Part #	Description	RTGH-84X	RTGH-95X	RTGH-84XL	RTGH-90XL	RTGH-95XL
1	RTG20223P	Control Board	•	•			
	RTG20239B	Control Board			•	•	•
	RTG20223D	Inlet Thermistor - White	•	•			
	RTG20006AR	Inlet Thermistor - White			•	•	•
	RTG20223G	Heat Exchanger Thermistor - Green	•	•			
	RTG20212BC	Heat Exchanger Thermistor - Yellow			•	•	•
	RTG20223H	Outlet Thermistor - Black	•	•			
	RTG20006BB	Outlet Thermistor - Black			•	•	•
	RTG20223J	Ambient Thermistor - Blue	•	•			
	RTG20006UW	Ambient Thermistor - Blue			•	•	•
	RTG20223W	Thermistor Wiring Harness	•	•			
	RTG20239M	Thermistor Wiring Harness			•	•	•
2	RTG20212V	Gas Control Valve	•	•	•	•	•
	RTG20223V	Gas Control Wiring Harness	•	•			
	RTG20239L	Gas Control Wiring Harness			•	•	•
3	RTG20212W	Burner Assembly	•	•	•	•	•
	RTG20235C	Igniter Coil	•	•	•	•	•
	RTG20212BD	Igniter Rod (IG) (with gasket)	•	•	•	•	•
4	RTG20212AB	Blower Motor	•	•	•	•	•
	RTG20212AC	Blower Case	•	•	•	•	•
5	RTG20212F	Burner Manifold LP	•	•			
5	RTG20235B	Burner Manifold - LP			•	•	•
5	RTG20212X	Burner Manifold NAT	•	•			
5	RTG20239A	Burner Manifold NAT			•	•	•
	RTG20212BE	Flame Rod FL-1 (with gasket)	•	•	•	•	•
	RTG20212P	Flame Rod Wire (White)	•	•	•	•	•
6	RTG20164K	Gas Inlet Connector 3/4"	•	•	•	•	•
7	RTG20223E	Water Control Valve	•	•			
	RTG20164L	Water Control Valve			•	•	•
	RTG20164M	Bypass Assembly	•	•	•	•	•
8	RTG20164J	Water Inlet Connector 3/4"	•	•	•	•	•
9	RTG20164AK	Inlet Water Filter	•	•	•	•	•
10	RTG20074CE	Hot Water Outlet Connector 3/4"	•	•	•	•	•
	RTG20006AV	Drain Plug with Relief	•	•	•	•	•
11	RTG20164AA	Remote Control Terminal Block	•	•	•	•	•
	RTG20212U	Remote Control Terminal	•	•	•	•	•
12	RTG20223F	Neutralization Replacement Kit	•	•			
	RTG20239N	Neutralization Replacement Kit			•	•	•
13	RTG20223A	Front Cover - No Labels or Branding	•	•	•	•	•
	RTG20074EH	Gas Shutoff Valve 3/4"	•	•	•	•	•
	RTG20186	Replacement Screw Kit	•	•	•	•	•
	RTG20206	Replacement O-Ring Kit	•	•	•	•	•

See Pages 6 - 9 for additional Accessories, Manifold Systems, and Venting Options.

Parts for RTG-64, RTG-84, RTG-95, DV and DVL Series



Program Chips

Fuel Type	RTG-64DV	RTG-84DV	RTG-95DV	RTG-64DVL	RTG-84DVL	RTG-95DVL
Natural	RTG20212AV	RTG20212AL	RTG20212S	RTG20235N	RTG20235J	RTG20235E
Propane	RTG20212AW	RTG20212AM	RTG20212T	RTG20235P	RTG20235K	RTG20235F

185°F Temperature Upgrade Kits - Commercial and Hydronic

Fuel Type	RTG-64DV	RTG-84DV	RTG-95DV	RTG-64DVL	RTG-84DVL	RTG-95DVL
Natural	—	RTG20216A	RTG20214A	—	RTG20237A	RTG20236A
Propane	—	RTG20216B	RTG20214B	—	RTG20237B	RTG20236B

Accessories

Remote Controls

RTG20006DW UMC-117 Main Remote Control
 RTG20006DU USC1-117 Bath Remote Control
 RTG20006DV USC2-117 Second Bath Remote Control

Pipe Covers

RTG20217DVG Pipe Cover (grey)

Service Valves

RTG20220 Tankless Service Valve Kit with Relief Valve
 RTG20220AB Tankless Service Valve Kit with Relief Valve - California Code

Relief Valve

AP12993C Pressure Relief Valve

EZ-Link™ Cable

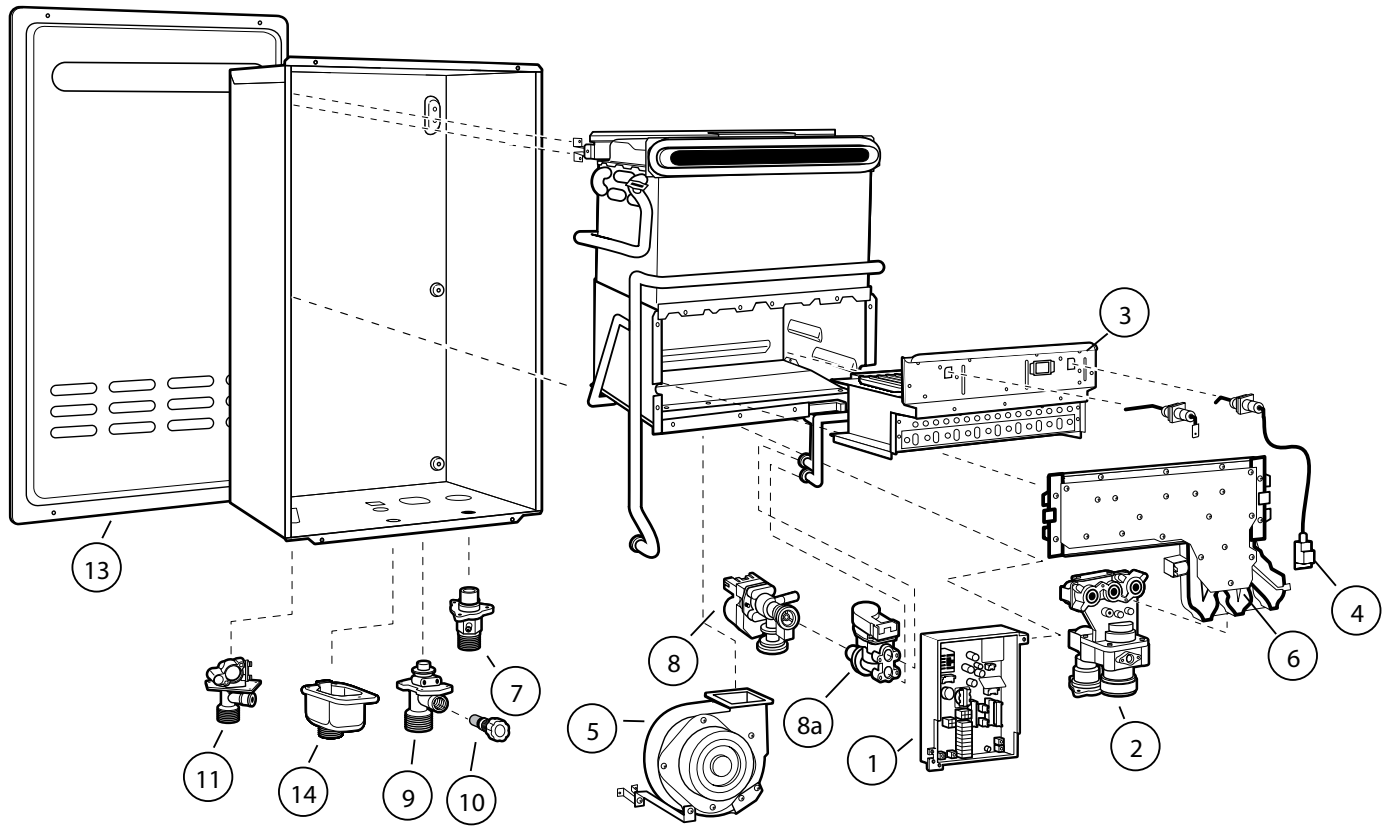
RTG20040 6-ft. EZ-Link™ Cable

Parts for RTG-64, RTG-84, RTG-95, DV and DVL Series

Ref #	Rheem Part #	Description	RTG-64DV	RTG-84DV	RTG-95DV	RTG-64DVL	RTG-84DVL	RTG-95DVL
1	RTG20212R	Control Board	•	•	•			
	RTG20235D	Control Board				•	•	•
	RTG20164R	Ambient Thermistor - Blue	•	•	•			
	RTG20006UW	Ambient Thermistor - Blue				•	•	•
	RTG20212BC	Heat Exchanger Thermistor - Yellow	•	•	•	•	•	•
	RTG20006AR	Inlet Thermistor - White	•	•	•	•	•	•
	RTG20006BB	Outlet Thermistor - Black	•	•	•	•	•	•
	RTG20239M	Thermistor Wiring Harness	•	•	•	•	•	•
2	RTG20212C	Gas Valve Assy	•	•	•	•	•	•
3	RTG20212D	Burner Assembly	•	•	•	•	•	•
6	RTG20212E	Burner Manifold - NAT	•	•	•			
	RTG20235A	Burner Manifold - NAT				•	•	•
6	RTG20212F	Burner Manifold - LP	•	•	•			
	RTG20235B	Burner Manifold - LP				•	•	•
	RTG20212BE	Flame Rod "FL1" (Right) w/gasket	•	•	•	•	•	•
	RTG20212J	Gas Control Resistor	•	•	•	•	•	•
	RTG20212BF	Flame Rod "Sensor" (Left) w/gasket	•	•	•	•	•	•
	RTG20212N	Flame Rod Wire (Blue)	•	•	•	•	•	•
	RTG20212P	Flame Rod Wire (White)	•	•	•	•	•	•
4	RTG20235C	Igniter Coil	•	•	•	•	•	•
	RTG20212BD	Igniter Rod (Right) w/gasket	•	•	•	•	•	•
5	RTG20212K	Blower Motor	•	•	•	•	•	•
	RTG20212L	Blower Case	•	•	•	•	•	•
7	RTG20164K	Gas Inlet Connector 3/4"	•	•	•	•	•	•
8	RTG20164L	Water Control Valve	•	•	•	•	•	•
8a	RTG20164M	Water Bypass Valve	•	•	•	•	•	•
9	RTG20164J	Water Inlet Connector 3/4"	•	•	•	•	•	•
11	RTG20074CE	Hot Water Outlet Connector 3/4"	•	•	•	•	•	•
14	RTG20212U	Remote Control Terminal	•	•	•	•	•	•
	RTG20164AA	Remote Control Terminal Block	•	•	•	•	•	•
	RTG20006AV	Drain Plug with Relief	•	•	•	•	•	•
	RTG20212A	Top Mounting Bracket	•	•	•	•	•	•
	RTG20212B	Bottom Mounting Bracket	•	•	•	•	•	•
	RTG20164AB	Screw Pan FT 4X12	•	•	•	•	•	•
10	RTG20164AK	Inlet Water Filter	•	•	•	•	•	•
13	RTG20212BA	Front Cover - No Labels or Branding	•	•	•	•	•	•
15	RTG20212BB	Concentric Vent Connector Assembly	•	•	•	•	•	•
	RTG20074EH	Gas Shutoff Valve 3/4"	•	•	•	•	•	•
	RTG20186	Replacement Screw Kit	•	•	•	•	•	•
	RTG20206	Replacement O-Ring Kit	•	•	•	•	•	•

See Pages 6 - 9 for additional Accessories, Manifold Systems, and Venting Options.

Parts for RTG-64, RTG-84, RTG-95, X and XL Series



Program Chips

Fuel Type	RTG-64X	RTG-84X	RTG-95X	RTG-64XL	RTG-84XL	RTG-95XL
Natural	RTG20212AE	RTG20212AN	RTG20212AX	RTG20235R	RTG20235L	RTG20235G
Propane	RTG20212AH	RTG20212AP	RTG20212AY	RTG20235S	RTG20235M	RTG20235H

185°F Temperature Upgrade Kits - Commercial and Hydronic

Fuel Type	RTG-64X	RTG-84X	RTG-95X	RTG-64XL	RTG-84XL	RTG-95XL
Natural	—	RTG20216C	RTG20214C	—	RTG20237C	RTG20236C
Propane	—	RTG20216D	RTG20214D	—	RTG20237D	RTG20236D

Accessories

Remote Controls

RTG20006DW UMC-117 Main Remote Control
 RTG20006DU USC1-117 Bath Remote Control
 RTG20006DV USC2-117 Second Bath Remote Control

Pipe Covers

RTG20217XG Pipe Cover (grey)

Recess Box

RTG20218 Recess Box (grey)

Service Valves

RTG20220 Tankless Service Valve Kit with Relief Valve
 RTG20220AB Tankless Service Valve Kit with Relief Valve - California Code

Relief Valve

AP12993C Pressure Relief Valve

EZ-Link™ Cable

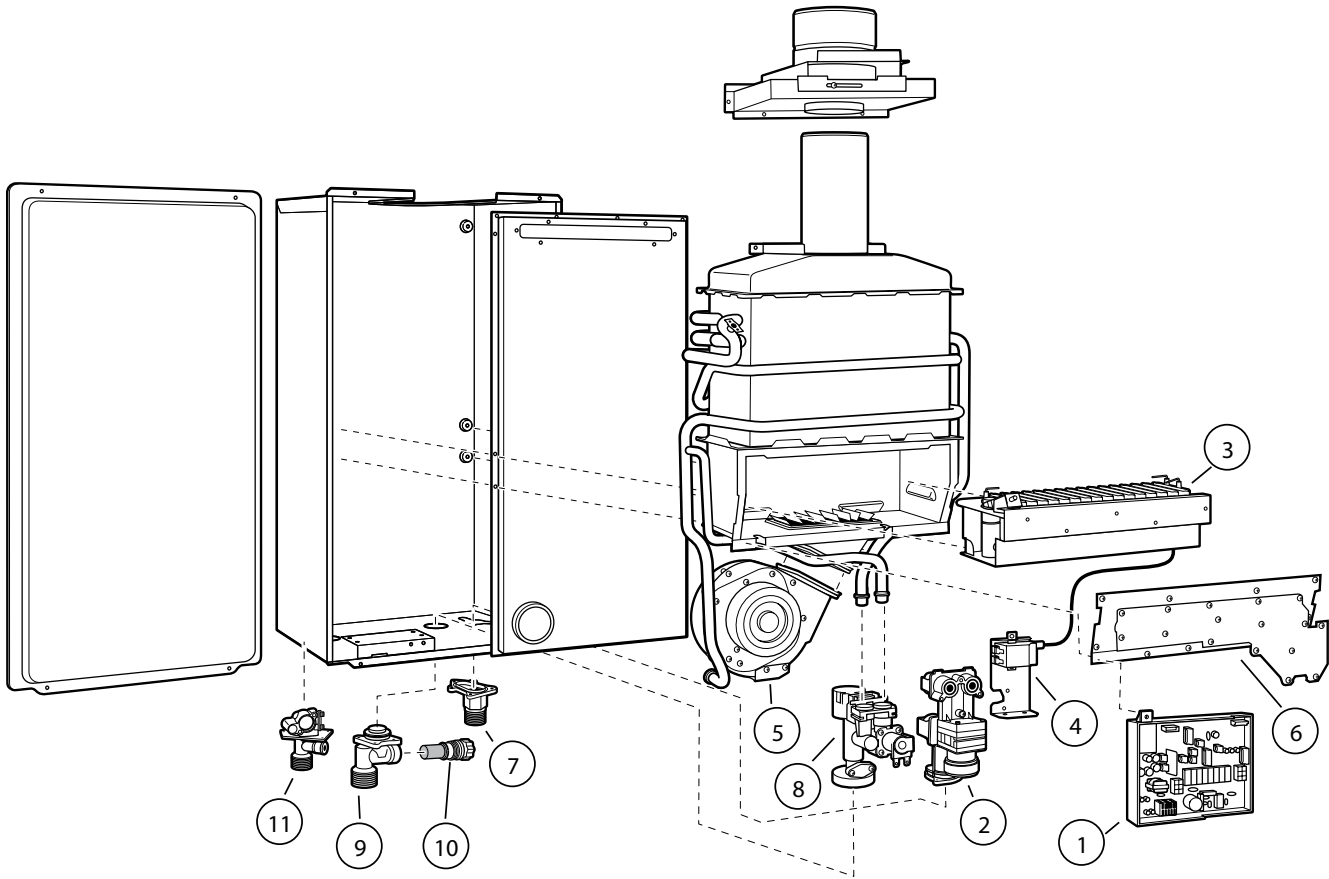
RTG20040 6-ft. EZ-Link™ Cable

Parts for RTG-64, RTG-84, RTG-95, X and XL Series

Ref #	Rheem Part #	Description	RTG-64X	RTG-84X	RTG-95X	RTG-64XL	RTG-84XL	RTG-95XL
1	RTG20212AD	Control Board	•	•	•			
	RTG20235D	Control Board				•	•	•
	RTG20212BC	Heat Exchanger Thermistor - Yellow	•	•	•	•	•	•
	RTG20006BB	Outlet Thermistor - Black	•	•	•	•	•	•
	RTG20006AR	Inlet Thermistor - White	•	•	•	•	•	•
	RTG20006UW	Ambient Thermistor - Blue	•	•	•	•	•	•
	RTG20239M	Thermistor Wiring Harness	•	•	•	•	•	•
2	RTG20212V	Gas Valve Assy	•	•	•	•	•	•
	RTG20212J	Gas Control Resister	•	•	•	•	•	•
3	RTG20212W	Burner Assembly	•	•	•	•	•	•
	RTG20212BE	Flame Rod "FL" (Right) w/gasket	•	•	•	•	•	•
	RTG20212BD	Igniter Rod (Right) w/gasket	•	•	•	•	•	•
	RTG20212P	Flame Rod Connector (White)	•	•	•	•	•	•
4	RTG20235C	Igniter Coil	•	•	•	•	•	•
5	RTG20212AB	Blower Motor	•	•	•	•	•	•
	RTG20212AC	Blower Case	•	•	•	•	•	•
6	RTG20212X	Burner Manifold - NAT	•	•	•			
	RTG20235A	Burner Manifold - NAT				•	•	•
	RTG20212F	Burner Manifold - LP	•	•	•			
	RTG20235B	Burner Manifold - LP				•	•	•
7	RTG20164K	Gas Inlet Connector 3/4"	•	•	•	•	•	•
8	RTG20164L	Water Control Valve	•	•	•	•	•	•
8a	RTG20164M	Water Bypass Valve	•	•	•	•	•	•
9	RTG20164J	Water Inlet Connector 3/4"	•	•	•	•	•	•
	RTG20006AV	Drain Plug with Relief	•	•	•	•	•	•
11	RTG20074CE	Hot Water Outlet Connector 3/4"	•	•	•	•	•	•
	RTG20212U	Remote Control Terminal	•	•	•			
	RTG20164AA	Remote Control Terminal Block	•	•	•	•	•	•
	RTG20164AB	Screw Pan FT 4X12	•	•	•	•	•	•
10	RTG20164AK	Inlet Water Filter	•	•	•	•	•	•
13	RTG20212AZ	Front Cover - No Labels or Branding	•	•	•	•	•	•
	RTG20074EH	Gas Shutoff Valve 3/4"	•	•	•	•	•	•
	RTG20186	Replacement Screw Kit	•	•	•	•	•	•
	RTG20206	Replacement O-Ring Kit	•	•	•	•	•	•

See Pages 6 - 9 for additional Accessories, Manifold Systems, and Venting Options.

Parts for 53DV Series (out of production)



Sea-Level Program Chips

Fuel Type	Description	RTG-53DV
Natural Gas	Program Chip - 0-3280 NAT	RTG20074FS
Propane	Program Chip - 0-3280 LP	RTG20074FN

High Altitude Program Chips - 3281 - 6560 Feet

Fuel Type	Description	RTG-53DV
Natural Gas	Program Chip - 3281-6560 NAT	RTG20074FT
Propane	Program Chip - 3281-6560 LP	RTG20074FP

Chips for installations above 6560 ft. are not available for the 53DV Model

Accessories

Remote Controls

RTG20006DW UMC-117 Main Remote Control
 RTG20006DU USC1-117 Bath Remote Control
 RTG20006DV USC2-117 Second Bath Remote Control

Service Valves

RTG20220 Tankless Service Valve Kit with Relief Valve
 RTG20220AB Tankless Service Valve Kit with Relief Valve - California Code

Relief Valve

AP12993C Pressure Relief Valve

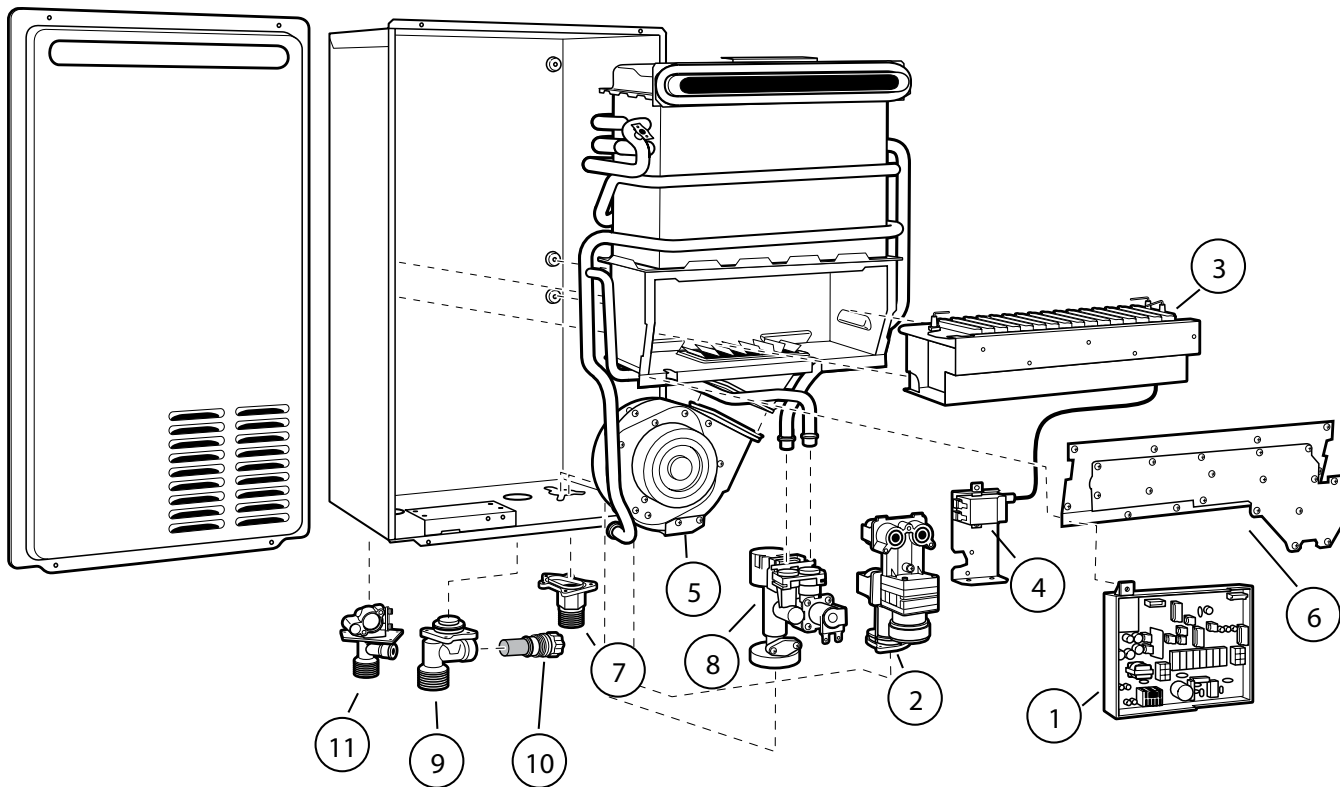
EZ-Link™ Cable

RTG20040 6ft. EZ-Link™ Cable

Parts for 53DV series (out of production)

Ref #	Rheem Part #	Description	RTG-53DV
1	RTG20074DU	Control Board	•
	RTG20006CS	Control Board Fuse (5A)	•
	RTG20074EE	Power Line Fuse (3A)	•
2	RTG20074AH	Gas Valve LP	•
	RTG20074GH	Gas Valve NAT	•
3	RTG20074AS	Burner Assembly LP	•
3	RTG20074AT	Burner Assembly NAT	•
	RTG20074DR	Flame Rod Wire - White	•
	RTG20074DS	Flame Rod Wire - Red	•
4	RTG20074DM	Igniter Coil	•
	RTG20074DN	Flame Rod	•
	RTG20074DL	Igniter Electrode	•
5	RTG20074DB	Fan Assembly	•
6	RTG20074BA	Burner Manifold	•
8	RTG20074BT	Water Control Valve	•
	RTG20006AR	Inlet Thermistor - White	•
	RTG20006BB	Outlet Thermistor - Black	•
	RTG20006BC	Heat Exchanger Thermistor - Yellow	•
	RTG20074CY	Ambient Thermistor - Blue	•
9	RTG20006AL	Water Inlet Connector 3/4"	•
10	RTG20006AS	Inlet Water Filter	•
11	RTG20074CE	Hot Outlet Connector	•
	RTG20006AW	Drain Relief Valve	•
	RTG20074AA	Mounting Brackets	•
	RTG20074EH	Gas Shutoff Valve 3/4"	•
	RTG20074GJ	Gas Inlet Connector 3/4" LP	•
	RTG20074GK	Gas Inlet Connector 3/4" NAT	•
	RTG20074Y	Mounting Brackets	•
	RTG20006CW	Door Screw	•
	RTG20006CZ	Chassis Screw	•
	RTG20074AA	Mounting Brackets	•
	RTG20074EH	Gas Shutoff Valve 3/4"	•
	RTG20186	Replacement Screw Kit	•
	RTG20206	Replacement O-Ring Kit	•

Parts for 53X Series (out of production)



Sea-Level Program Chip - 0 - 3280 Feet

Fuel Type	Description	RTG-53X
Natural Gas	Program Chip - 0-3280 NAT	RTG20074FY
Propane	Program Chip - 0-3280 LP	RTG20074FV

High Altitude Program Chips - 3281 - 6560 Feet

Fuel Type	Description	RTG-53X
Natural Gas	Program Chip - 3281-6560 NAT	RTG20074FZ
Propane	Program Chip - 3281-6560 LP	RTG20074FW

Ultra High Altitude Program Chips - 6560 - 9840 Feet

Fuel Type	Description	RTG-53X
Natural Gas	Program Chip - 6560-9840 NAT	RTG20074GA
Propane	Program Chip - 6560-9840 LP	RTG20074FX

Accessories

Remote Controls

RTG20006DW UMC-117 Main Remote Control

RTG20006DU USC1-117 Bath Remote Control

RTG20006DV USC2-117 Second Bath Remote Control

Service Valves

RTG20220 Tankless Service Valve Kit with Relief Valve

RTG20220AB Tankless Service Valve Kit with Relief Valve - California Code

Relief Valve

AP12993C Pressure Relief Valve

EZ-Link™ Cable

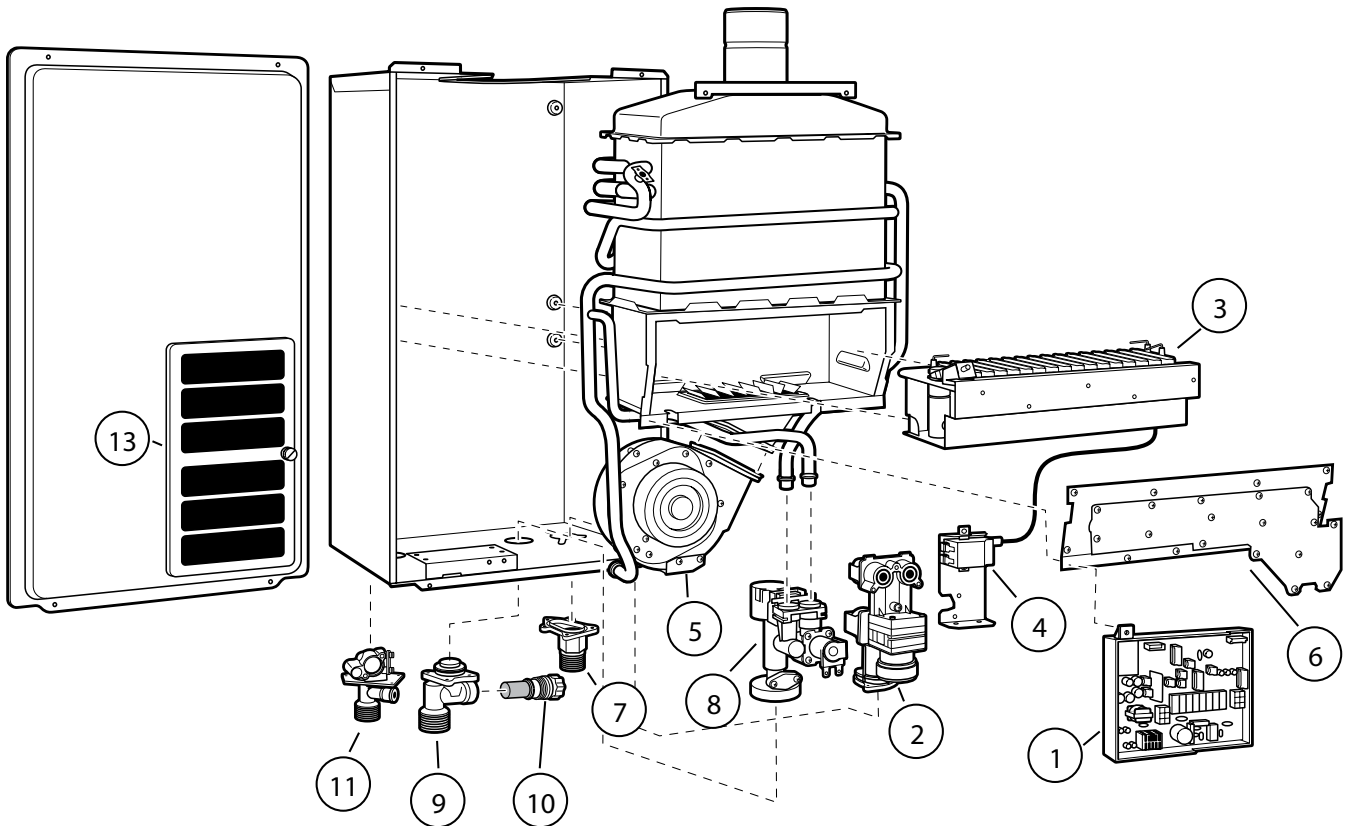
RTG20040 6-ft. EZ-Link™ Cable

Parts for 53X Series (out of production)

Ref #	Rheem Part #	Description	RTG-53X
1	RTG20074DV	Control Board	•
	RTG20006CS	Control Board Fuse (5A)	•
	RTG20074EE	Power Line Fuse (3A)	•
2	RTG20074AF	Gas Valve LP	•
	RTG20074AG	Gas Valve NAT	•
3	RTG20074AU	Burner Assembly LP	•
3	RTG20074AV	Burner Assembly NAT	•
	RTG20074DR	Flame Rod Wire - White	•
	RTG20074DS	Flame Rod Wire - Red	•
4	RTG20074DM	Igniter Coil	•
	RTG20074DN	Flame Rod	•
	RTG20074DL	Igniter Electrode	•
5	RTG20074DC	Fan Assembly	•
	RTG20074DF	Fan Housing	•
6	RTG20074BC	Burner Manifold LP	•
	RTG20074BD	Burner Manifold NAT	•
7	RTG20074GJ	Gas Inlet Connector 3/4" LP	•
	RTG20074GK	Gas Inlet Connector 3/4" NAT	•
8	RTG20074BT	Water Control Valve	•
	RTG20006AR	Inlet Thermistor - White	•
	RTG20006BB	Outlet Thermistor - Black	•
	RTG20006BC	Heat Exchanger Thermistor - Yellow	•
	RTG20006UW	Ambient Thermistor - Blue	•
9	RTG20006AL	Water Inlet Connector 3/4"	•
10	RTG20006AS	Inlet Water Filter	•
11	RTG20074CE	Hot Outlet Connector	•
	RTG20006AV	Drain Relief Valve	•
	RTG20074EH	Gas Shutoff Valve 3/4"	•
	RTG20074S	Mounting Brackets	•
	RTG20186	Replacement Screw Kit	•
	RTG20206	Replacement O-Ring Kit	•

For parts not listed, please contact Customer Service 1-800-621-5622

Parts for 53PV and 2-42PV Series (out of production)



Sea-Level Program Chip

Fuel Type	Description	RTG2-42PV	RTG-53PV
Natural Gas	Program Chip - 0-3280 NAT	RTG20074GE	RTG20074FK
Propane	Program Chip - 0-3280 LP	RTG20074GB	RTG20074FG

High Altitude Program Chips - 3281 - 6560 Feet

Fuel Type	Description	RTG2-42PV	RTG-53PV
Natural Gas	Program Chip - 3281-6560 NAT	RTG20074GF	RTG20074FL
Propane	Program Chip - 3281-6560 LP	RTG20074GC	RTG20074FH

Ultra High Altitude Program Chips - 6560 - 9840 Feet

Fuel Type	Description	RTG2-42PV	RTG-53PV
Natural Gas	Program Chip - 6560-9840 NAT	RTG20074GG	—
Propane	Program Chip - 6560-9840 LP	RTG20074GD	—

Chips for installations above 6560 ft. are not available for the 53PV Model

Accessories

Remote Controls

RTG20006DW UMC-117 Main Remote Control
 RTG20006DU USC1-117 Bath Remote Control
 RTG20006DV USC2-117 Second Bath Remote Control

Service Valves

RTG20220 Tankless Service Valve Kit with Relief Valve
 RTG20220AB Tankless Service Valve Kit with Relief Valve - California Code

Relief Valve

AP12993C Pressure Relief Valve

EZ-Link™ Cable

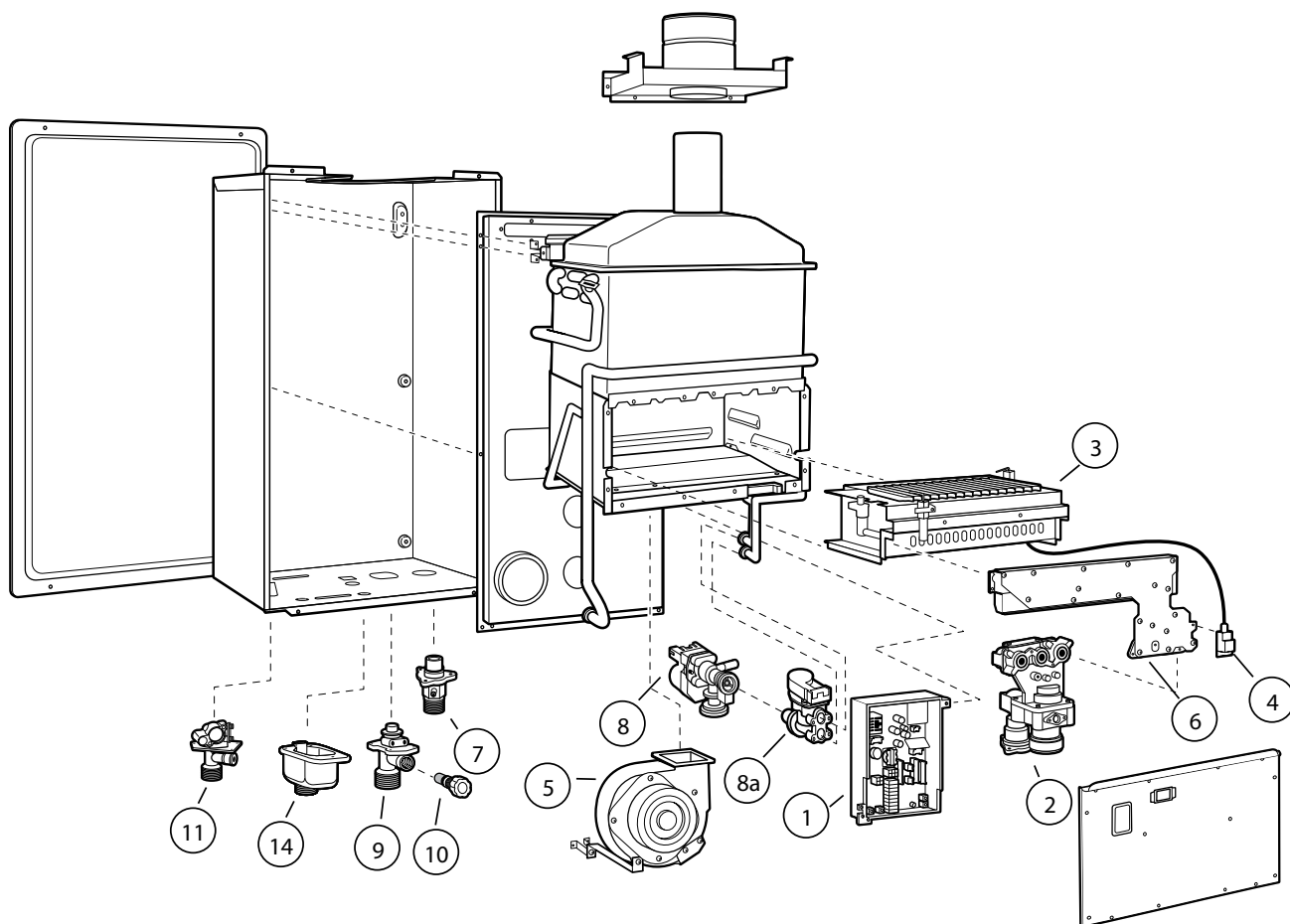
RTG20040 6-ft. EZ-Link™ Cable

Parts for 53PV and 2-42PV Series (out of production)

Ref #	Rheem Part #	Description	RTG2-42PV	RTG-53PV
1	RTG20074DU	Control Board	•	•
	RTG20006CS	Control Board Fuse (5A)	•	•
	RTG20074EE	Power Line Fuse (3A)	•	•
2	RTG20074AF	Gas Valve - LP		•
2	RTG20074AG	Gas Valve - NAT		•
2	RTG20074AJ	Gas Valve Nat & LP	•	
3	RTG20074AP	Burner Assembly - LP	•	•
3	RTG20074AR	Burner Assembly - NAT	•	•
	RTG20074DL	Igniter Electrode	•	•
	RTG20074DN	Flame Rod	•	•
	RTG20074DR	Flame Rod Wire - White	•	•
	RTG20074DS	Flame Rod Wire - Red	•	•
4	RTG20074DM	Igniter Coil	•	•
5	RTG20074DA	Fan Assembly	•	•
6	RTG20074BA	Burner Manifold LP	•	•
6	RTG20074BB	Burner Manifold NAT	•	•
7	RTG20074GJ	Gas Inlet Connector 3/4" LP		•
7	RTG20074GK	Gas Inlet Connector 3/4" NAT		•
7	RTG20074GL	Gas Inlet Connector 1/2"	•	
8	RTG20074BT	Water Control Valve	•	•
	RTG20006AR	Inlet Thermistor - White	•	•
	RTG20006BB	Outlet Thermistor - Black	•	•
	RTG20006BC	Heat Exchanger Thermistor - Yellow	•	•
	RTG20074CU	Ambient Thermistor - Blue	•	•
9	RTG20006AL	Water Inlet Connector 3/4"	•	•
10	RTG20006AS	Inlet Water Filter	•	•
11	RTG20074CE	Hot Outlet Connector	•	•
	RTG20006AW	Drain Relief Valve	•	•
13	RTG20006C	Door Filter Screen	•	•
	RTG20074Y	Mounting Brackets	•	•
	RTG20074AA	Mounting Brackets	•	•
	RTG20074EJ	Gas Shutoff Valve 1/2"	•	
	RTG20074EH	Gas Shutoff Valve 3/4"		•
	RTG20186	Replacement Screw Kit	•	•
	RTG20206	Replacement O-Ring Kit	•	•

For parts not listed, please contact Customer Service 1-800-621-5622

Parts for 66DV Series (out of production)



Fuel Type Program Chips

Fuel Type	Description	RT-66DV	RTG-66DV-1
Natural Gas	Program Chip - Natural Gas	RTG20164Y	RTG20164Y
Propane	Program Chip - LP Gas	RTG20164X	RTG20164X

185°F Temperature Upgrade Kits - Commercial and Hydronic

Fuel Type	Description	RT-66DV	RTG-66DV-1
Natural Gas	Natural Gas Temperature Upgrade Kit	RTG20192A	RTG20192A
Propane	LP Gas Temperature Upgrade Kit	RTG20192B	RTG20192B

Only fuel-specific chips are required for replacement of control boards. Altitude is controlled through dip switch settings and does not require a program chip. See Use and Care Manual for details.

185°F Temperature Upgrade Kits - Commercial and Hydronic allow the 66DV models to operate at a higher water temperature for commercial applications. The kit includes a program chip along with a commercial warranty and instructions. Each water heater in a commercial installation would require a kit.

Parts for 66DV Series (out of production)

Ref #	Rheem Part #	Description	RTG-66DV	RTG-66DV-1
1	RTG20164AL	Control Board	•	•
	RTG20074EE	Power Line Fuse (3A)	•	•
	RTG20164P	Heat Exchanger Thermistor - Yellow	•	•
	RTG20164R	Ambient Thermistor - Blue	•	•
	RTG20006AR	Inlet Thermistor - White	•	•
	RTG20006BB	Outlet Thermistor - Black	•	•
2	RTG20164B	Gas Valve - LP	•	•
2	RTG20164A	Gas Valve - NAT	•	•
	RTG20164N	Gas Control Resistor	•	•
7	RTG20164K	Gas Inlet Connector 3/4"	•	•
3	RTG20164C	Burner Assembly	•	•
6	RTG20164D	Burner Manifold - LP	•	•
6	RTG20164E	Burner Manifold - NAT	•	•
	RTG20164G	Sensor Orifice - LP	•	•
	RTG20164F	Sensor Orifice - NAT	•	•
4	RTG20164U	Igniter Coil	•	•
	RTG20164H	Flame Rod	•	•
	RTG20074DL	Igniter Electrode	•	•
	RTG20074DR	Flame Rod Wire Harness	•	•
5	RTG20164S	Blower Motor	•	•
	RTG20164T	Blower Case	•	•
8	RTG20164L	Water Control Valve	•	•
8a	RTG20164M	Water Bypass Valve	•	•
9	RTG20164J	Water Inlet Connector 3/4"	•	•
14	RTG20164Z	Terminal Block Wire Assy	•	•
	RTG20164AA	Remote Control Terminal Block	•	•
10	RTG20164AK	Inlet Water Filter	•	•
11	RTG20074CE	Hot Outlet Connector	•	•
	RTG20006AW	Drain Relief Valve	•	•
	RTG20006CW	Door Screw	•	•
	RTG20006CZ	Chassis Screw	•	•
	RTG20074Y	Mounting Brackets	•	•
	RTG20164AB	Screw Pan FT 4x12	•	•
	RTG20186	Replacement Screw Kit	•	•
	RTG20206	Replacement O-Ring Kit	•	•

Accessories

Remote Controls

RTG20006DW UMC-117 Main Remote Control
 RTG20006DU USC1-117 Bath Remote Control
 RTG20006DV USC2-117 Second Bath Remote Control

Service Valves

RTG20220 Tankless Service Valve Kit with Relief Valve
 RTG20220AB Tankless Service Valve Kit with Relief Valve - California Code

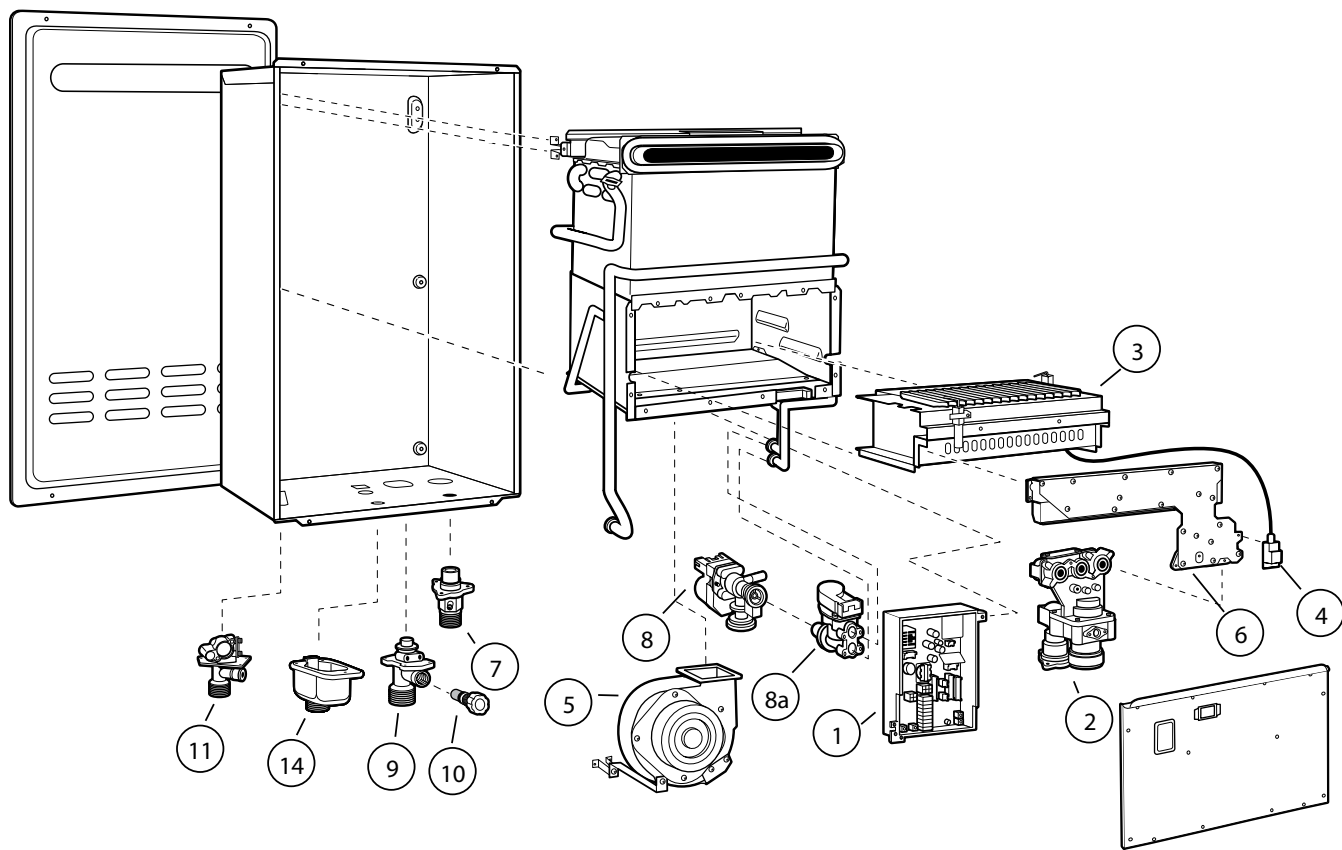
Relief Valve

AP12993C Pressure Relief Valve

EZ-Link™ Cable

RTG20040 6-ft. EZ-Link™ Cable

Parts for 66X Series (out of production)



Fuel Type Program Chips

Fuel Type	Description	RTG-66X	RTG-66X-1
Natural Gas	Program Chip - Natural Gas	RTG20164AH	RTG20164AH
Propane	Program Chip - LP Gas	RTG20164AJ	RTG20164AJ

Commercial Temperature Upgrade Kits

Fuel Type	Description	RTG-66X	RTG-66X-1
Natural Gas	Nat. Gas Temperature Upgrade Kit	RTG20192C	RTG20192C
Propane	LP Gas Temperature Upgrade Kit	RTG20192D	RTG20192D

Only fuel-specific chips are required for replacement of control boards. Altitude is controlled through dip switch settings and does not require a program chip. See Use and Care Manual for details.

Commercial Temperature Upgrade Kits allow the 66X models to operate at a higher water temperature for commercial applications. The kit includes a program chip along with a commercial warranty and instructions. Each water heater in a commercial installation would require a kit.

Parts for 66X Series (out of production)

Ref#	RheemPart#	Description	RTG-66X	RTG-66X-1
1	RTG20164AS	Control Board	•	•
	RTG20074EE	Power Line Fuse(3A)	•	•
	RTG20164P	Heat Exchanger Thermistor - Yellow	•	•
	RTG20074CU	Ambient Thermistor - Blue	•	•
	RTG20006AR	Inlet Thermistor - White	•	•
	RTG20006BB	Outlet Thermistor - Black	•	•
2	RTG20164B	Gas Valve - NAT and LP	•	•
	RTG20164N	Gas Control Resistor	•	•
7	RTG20164K	Gas Inlet Connector 3/4"	•	•
3	RTG20164AC	Burner Assembly	•	•
6	RTG20164AE	Burner Manifold-LP	•	•
6	RTG20164AD	Burner Manifold-NAT	•	•
4	RTG20164U	Igniter Coil	•	•
	RTG20164H	Flame Rod	•	•
	RTG20074DL	Igniter Electrode	•	•
5	RTG20006CC	Blower Motor	•	•
	RTG20164T	Blower Case	•	•
8	RTG20164L	Water Control Valve	•	•
8a	RTG20164M	Water Bypass Valve	•	•
9	RTG20164J	Water Inlet Connector 3/4"	•	•
14	RTG20164AA	Remote Control Terminal Block	•	•
	RTG20164Z	Terminal Block Wire Assy	•	•
	RTG20164AB	Screw Pan FT 4x12	•	•
10	RTG20164AK	Inlet Water Filter	•	•
11	RTG20074CE	Hot Outlet Connector	•	•
	RTG20006AV	Drain Relief Valve	•	•
	RTG20186	Replacement Screw Kit	•	•
	RTG20206	Replacement O-Ring Kit	•	•

Accessories

Remote Controls

RTG20006DW UMC-117 Main Remote Control
 RTG20006DU USC1-117 Bath Remote Control
 RTG20006DV USC2-117 Second Bath Remote Control

Service Valves

RTG20220 Tankless Service Valve Kit with Relief Valve
 RTG20220AB Tankless Service Valve Kit with Relief Valve - California Code

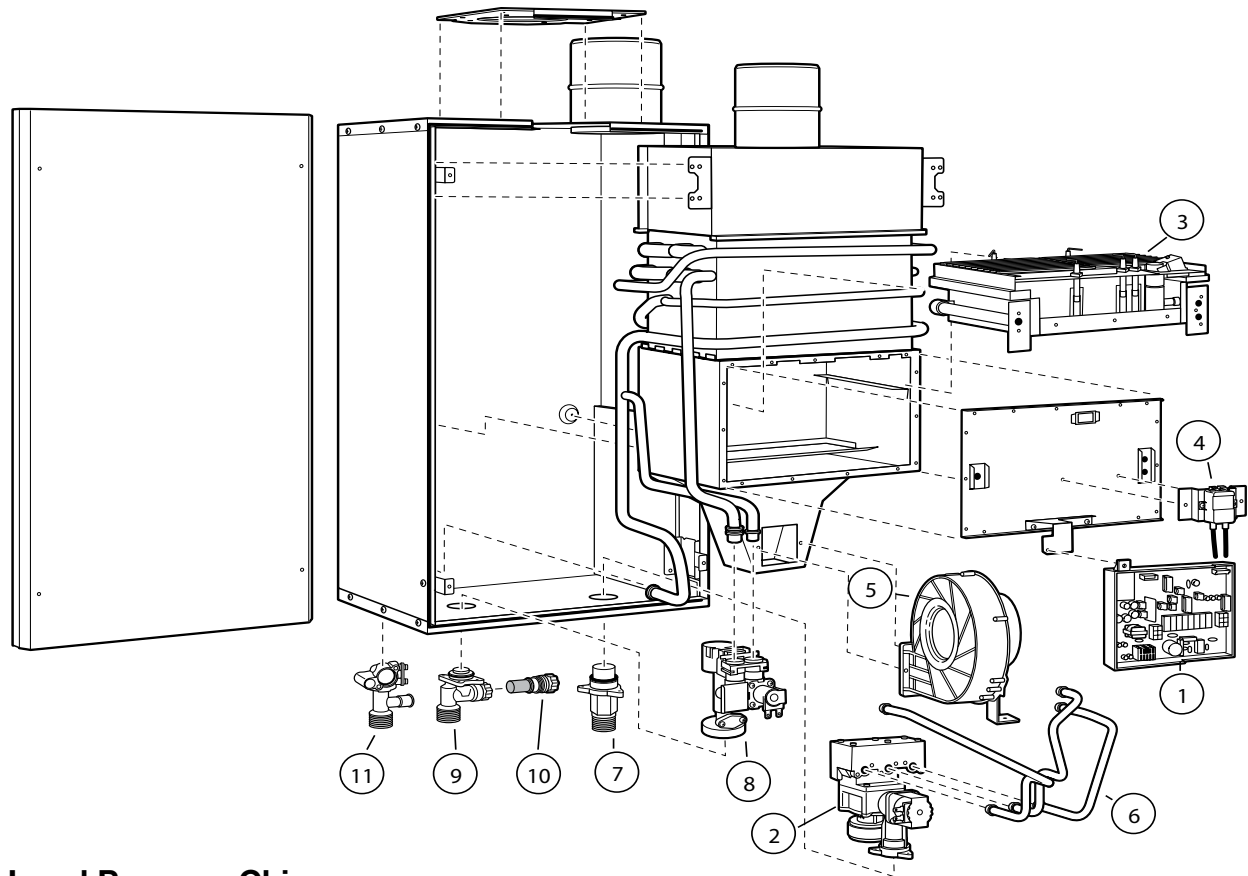
Relief Valve

AP12993C Pressure Relief Valve

EZ-Link™ Cable

RTG20040 6-ft. EZ-Link™ Cable

Parts for 74DV and GT-199DV Series (out of production)



Sea-Level Program Chip

Fuel Type	RTG-74DV	RTG-74DV-1 RTGL74DV-1	RTG-74DV-2 RTGL74DV†	GT-199DV	GT-199DV-1	GT-199DV-2
Natural	RTG20006MY	RTG20006PU	RTG20006SM	RTG20006PM	RTG20006RA	RTG20006SU
LP	RTG20006MV	RTG20006PX	RTG20006SR	RTG20006PR	RTG20006RD	RTG20006SX

High Altitude Program Chips - 3281 - 6560 Feet

Fuel Type	RTG-74DV	RTG-74DV-1 RTGL74DV-1	RTG-74DV-2 RTGL74DV†	GT-199DV	GT-199DV-1	GT-199DV-2
Natural	RTG20006MZ	RTG20006PV	RTG20006SN	RTG20006PN	RTG20006RB	RTG20006SV
LP	RTG20006MW	RTG20006PY	RTG20006SS	RTG20006PS	RTG20006RE	RTG20006SY

Ultra High Altitude Program Chips - 6560 - 9840 Feet

Fuel Type	RTG-74DV	RTG-74DV-1 RTGL74DV-1	RTG-74DV-2 RTGL74DV†	GT-199DV	GT-199DV-1	GT-199DV-2
Natural	RTG20006NA	RTG20006PW	RTG20006SP	RTG20006PT	RTG20006RF	RTG20006SZ
LP	RTG20006MX	RTG20006PZ	RTG20006ST	RTG20006PP	RTG20006RC	RTG20006SW

Accessories

Remote Controls

RTG20006DW UMC-117 Main Remote Control

RTG20006DU USC1-117 Bath Remote Control

RTG20006DV USC2-117 Second Bath Remote Control

Service Valves

RTG20220 Tankless Service Valve Kit with Relief Valve

RTG20220AB Tankless Service Valve Kit with Relief Valve - California Code

Relief Valve

AP12993C Pressure Relief Valve

EZ-Link™ Cable

RTG20040 6-ft. EZ-Link™ Cable

Parts for 74DV and GT-199DV Series (out of production)

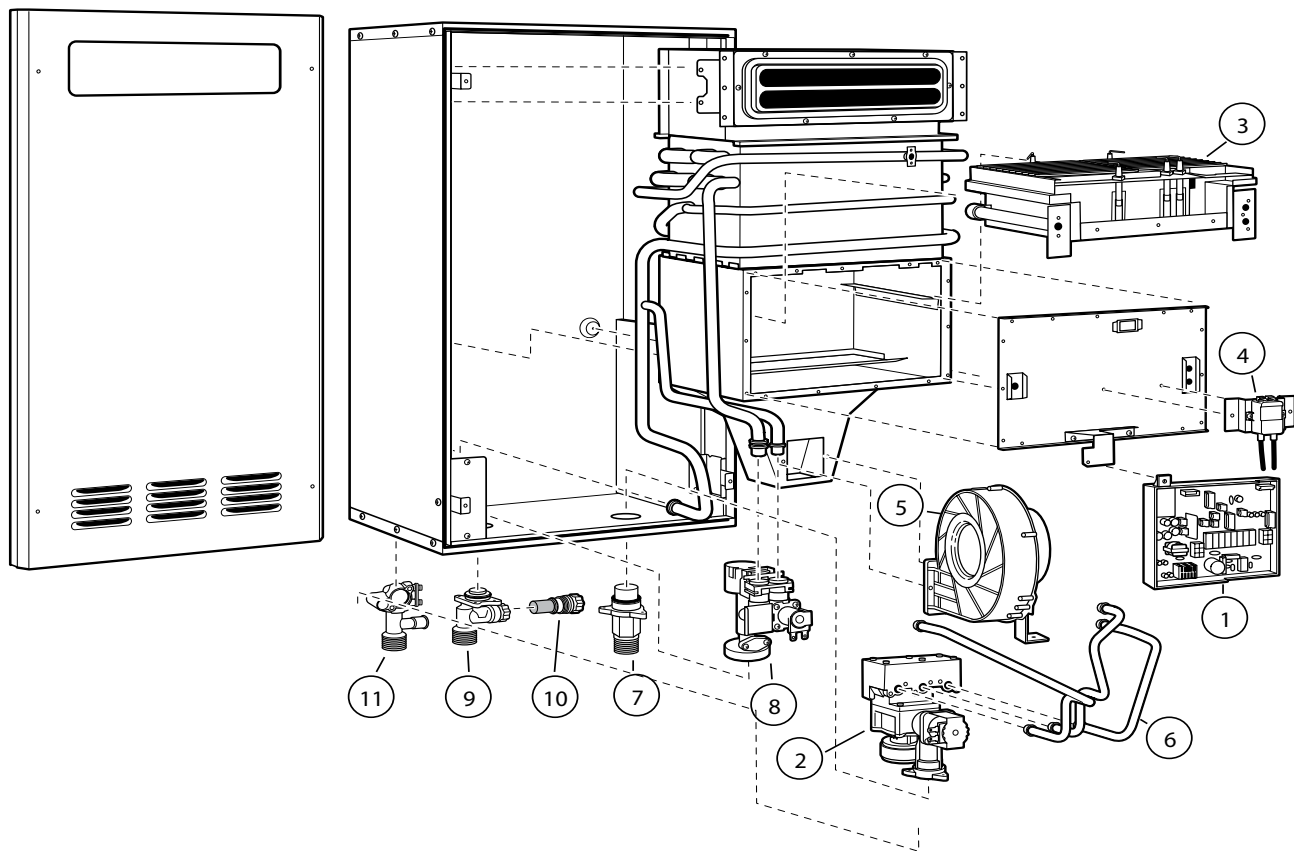
Ref #	Rheem Part #	Description	RTG-74DV	RTG-74DV-1 RTGL74DV-1	RTG-74DV-2 RTGL74DV†	GT-199DV	GT-199DV-1	GT-199DV-2
	RTG20006JC	Control Board	•			•		
1	RTG20006PG	Control Board		•	•		•	•
	RTG20006CS	Control Board Fuse (5A)	•	•	•	•	•	•
	RTG20074EE	Power Line Fuse (3A)	•	•	•	•	•	•
2	RTG20006PA	Gas Valve	•	•	•	•	•	•
3	RTG20006UH	Burner Assembly - NAT / LP		•**	•		•**	•
3	RTG20006VL	Burner Assembly - NAT	•	•*		•	•*	
3	RTG20006VM	Burner Assembly -LP	•	•*		•	•*	
	RTG20006N	Burner Manifold - R LP	•	•		•	•	
	RTG20006P	Burner Manifold - R NAT	•	•		•	•	
	RTG20006T	Burner Manifold - L LP	•	•		•	•	
	RTG20006U	Burner Manifold - L NAT	•	•		•	•	
	RTG20006UL	Burner Manifold - R NAT			•			•
	RTG20006UM	Burner Manifold - R LP			•			•
	RTG20006UR	Burner Manifold - L NAT			•			•
	RTG20006US	Burner Manifold - L LP			•			•
4	RTG20006AA	Igniter Coil	•	•		•	•	
4	RTG20006UT	Igniter Coil			•			•
	RTG20006AC	Flame Rod	•	•		•	•	
	RTG20006AD	Igniter Electrode	•	•	•	•	•	•
	RTG20006UU	Flame Rod			•			•
5	RTG20006CC	Fan Assembly	•	•	•	•	•	•
	RTG20006AR	Inlet Thermistor - White	•	•	•	•	•	•
	RTG20006BB	Outlet Thermistor - Black	•	•	•	•	•	•
	RTG20006BC	Heat Exchanger Thermistor - Yellow	•	•	•	•	•	•
	RTG20006BV	Ambient Thermistor - Blue	•	•	•	•	•	•
	RTG20006CB	Transformer (120v to 100v)	•	•		•	•	
7	RTG20006AN	Gas Inlet Connector 3/4"	•	•	•	•	•	•
8	RTG20006AU	Water Control Valve	•					
8	RTG20006JA	Water Control Valve		•	•	•	•	•
9	RTG20006AL	Water Inlet Connector 3/4"	•	•	•	•	•	•
10	RTG20006AS	Inlet Water Filter	•	•	•	•	•	•
11	RTG20006AF	Hot Outlet Connector	•	•	•	•	•	•
	RTG20006AW	Drain Relief Valve	•	•	•	•	•	•
	RTG20006VD	Mounting Brackets	•	•	•	•	•	•
	RTG20186	Replacement Screw Kit	•	•	•	•	•	•
	RTG20206	Replacement O-Ring Kit	•	•	•	•	•	•

* If Serial Number is 0906 or earlier

** If Serial Number is 1006 or newer

† The RTGL and ECO models that do not have a suffix, such as a -1 or -2, are equivalent to the RTG-2 series and utilize the same parts. RTGL and ECO models with a suffix, such as -1, are equivalent to the models with a like suffix.

Parts for 74X and GT-199X Series (out of production)



Sea-Level Program Chip

Fuel Type	RTG-74X	RTG-74X-1 RTGL74X-1	RTG-74X-2 RTGL74X†	GT-199X	GT-199X-1	GT-199X-2
Natural	RTG20006EN	RTG20006RV	RTG20006TN	RTG20006JL	RTG20006SB	RTG20006TV
LP	RTG20006EM	RTG20006RY	RTG20006TS	RTG20006JK	RTG20006SE	RTG20006TY

High Altitude Program Chips - 3281 - 6560 Feet

Fuel Type	RTG-74X	RTG-74X-1 RTGL74X-1	RTG-74X-2 RTGL74X†	GT-199X	GT-199X-1	GT-199X-2
Natural	RTG20006EK	RTG20006RW	RTG20006TP	RTG20006JN	RTG20006SC	RTG20006TW
LP	RTG20006EH	RTG20006RZ	RTG20006TT	RTG20006JM	RTG20006SF	RTG20006TZ

Ultra High Altitude Program Chips - 6560 - 9840 Feet

Fuel Type	RTG-74X	RTG-74X-1 RTGL74X-1	RTG-74X-2 RTGL74X†	GT-199X	GT-199X-1	GT-199X-2
Natural	RTG20006EL	RTG20006RX	RTG20006TR	RTG20006JR	RTG20006SD	RTG20006TX
LP	RTG20006EJ	RTG20006SA	RTG20006TU	RTG20006JP	RTG20006SG	RTG20006UA

Accessories

Remote Controls

RTG20006DW UMC-117 Main Remote Control
 RTG20006DU USC1-117 Bath Remote Control
 RTG20006DV USC2-117 Second Bath Remote Control

Service Valves

RTG20220 Tankless Service Valve Kit with Relief Valve
 RTG20220AB Tankless Service Valve Kit with Relief Valve - California Code

Relief Valve

AP12993C Pressure Relief Valve

EZ-Link™ Cable

RTG20040 6-ft. EZ-Link™ Cable

Parts for 74X and GT-199X Series (out of production)

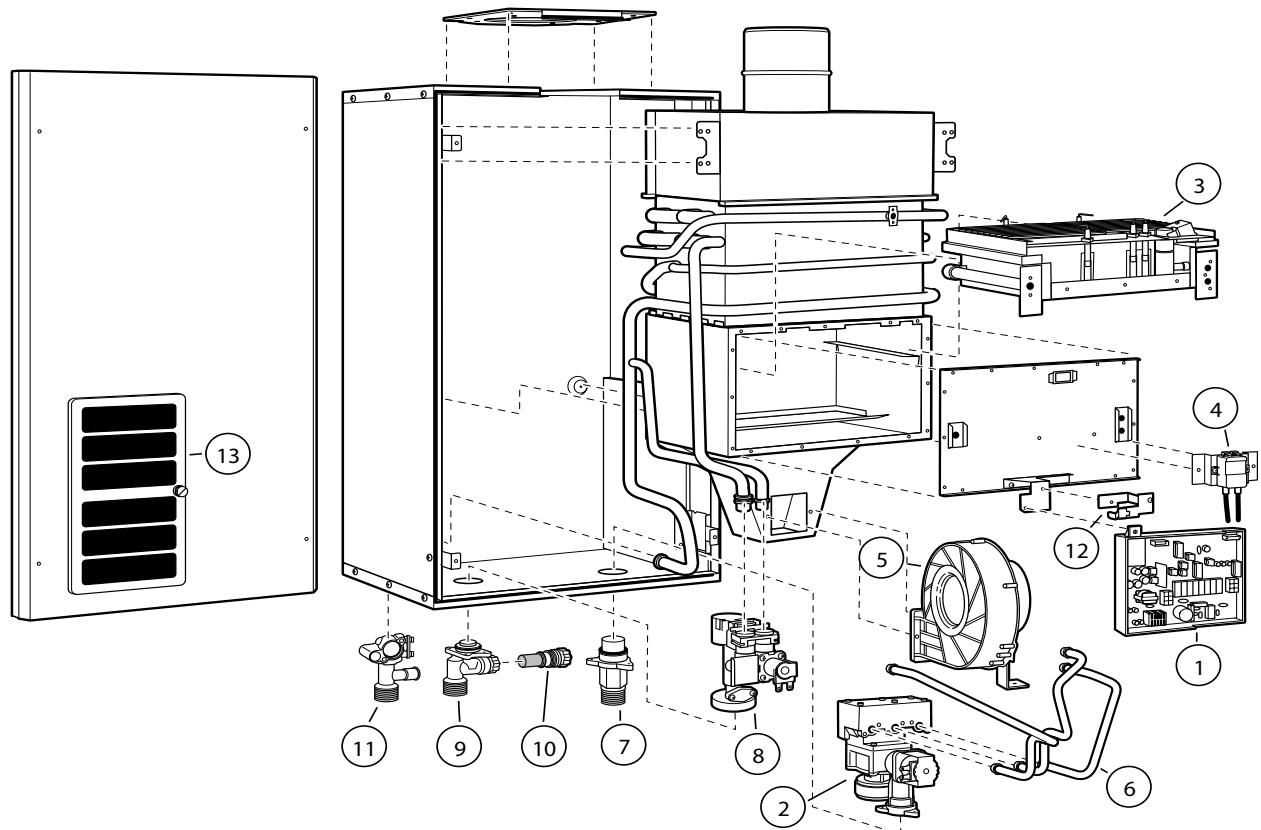
Ref #	Rheem Part #	Description	RTG-74X	RTG-74X-1 RTGL74X-1	RTG-74X-2 RTGL74X†	GT-199X	GT-199X-1	GT-199X-2
1	RTG20006JC	Control Board	•			•		
1	RTG20006PG	Control Board		•	•		•	•
	RTG20006CS	Control Board Fuse (5A)	•	•	•	•	•	•
	RTG20074EE	Power Line Fuse (3A)	•	•	•	•	•	•
2	RTG20006PA	Gas Valve	•	•	•	•	•	•
3	RTG20006UE	Burner Assembly - NAT/LP		•**	•		•**	•
3	RTG20006VK	Burner Assembly -NAT/LP	•	•*		•	•*	
	RTG20006L	Burner Manifold - R NAT	•	•		•	•	
	RTG20006M	Burner Manifold - R LP	•	•		•	•	
	RTG20006R	Burner Manifold - L NAT	•	•		•	•	
	RTG20006S	Burner Manifold - L LP	•	•		•	•	
	RTG20006UJ	Burner Manifold - R NAT			•			•
	RTG20006UK	Burner Manifold - R LP			•			•
	RTG20006UN	Burner Manifold - L NAT			•			•
	RTG20006UP	Burner Manifold - L LP			•			•
4	RTG20006AA	Igniter Coil	•	•		•	•	
	RTG20006AC	Flame Rod	•	•		•	•	
	RTG20006AD	Igniter Electrode	•	•	•	•	•	•
4	RTG20006UT	Igniter Coil			•			•
	RTG20006UU	Flame Rod			•			•
5	RTG20006CC	Fan Assembly	•	•	•	•	•	•
	RTG20006AR	Inlet Thermistor - White	•	•	•	•	•	•
	RTG20006BB	Outlet Thermistor - Black	•	•	•	•	•	•
	RTG20006BC	Heat Exchanger Thermistor - Yellow	•	•	•	•	•	•
	RTG20006BV	Ambient Thermistor - Blue	•	•		•	•	
	RTG20006CB	Transformer (120v to 100v)	•	•		•	•	
	RTG20006UV	Ambient Thermistor - Blue			•			•
7	RTG20006AN	Gas Inlet Connector 3/4"	•	•	•	•	•	•
8	RTG20006AU	Water Control Valve	•					
8	RTG20006JA	Water Control Valve		•	•	•	•	•
9	RTG20006AL	Water Inlet Connector 3/4"	•	•	•	•	•	•
10	RTG20006AS	Inlet Water Filter	•	•	•	•	•	•
11	RTG20006AF	Hot Outlet Connector	•	•	•	•	•	•
	RTG20006AV	Drain Relief Valve	•	•	•	•	•	•
	RTG20006CW	Door Screw				•	•	•
	RTG20006CZ	Chassis Screw				•	•	•
	RTG20006VD	Mounting Brackets	•	•	•	•	•	•
	RTG20186	Replacement Screw Kit	•	•	•	•	•	•
	RTG20206	Replacement O-Ring Kit	•	•	•	•	•	•

* If Serial Number is 0906 or earlier

** If Serial Number is 1006 or newer

† The RTGL and ECO models that do not have a suffix, such as a -1 or -2, are equivalent to the RTG-2 series and utilize the same parts. RTGL and ECO models with a suffix, such as -1, are equivalent to the models with a like suffix.

Parts for 74PV and GT-199PV Series (out of production)



Sea-Level Program Chip

Fuel Type	RTG-74PV	RTG-74PV-1 RTGL74PV-1	RTG-74PV-2 RTGL74PV†	GT-199PV	GT-199PV-1	GT-199PV-2
Natural	RTG20006DG	RTG20006RG	RTG20006TA	RTG20006JE	RTG20006RN	RTG20006TG
LP	RTG20006DF-1	RTG20006RK	RTG20006TD	RTG20006JD	RTG20006RS	RTG20006TK

High Altitude Program Chips - 3281 - 6560 Feet

Fuel Type	RTG-74PV	RTG-74PV-1 RTGL74PV-1	RTG-74PV-2 RTGL74PV†	GT-199PV	GT-199PV-1	GT-199PV-2
Natural	RTG20006DM-1	RTG20006RH	RTG20006TB	RTG20006JG	RTG20006RP	RTG20006TH
LP	RTG20006DK-1	RTG20006RL	RTG20006TE	RTG20006JF	RTG20006RT	RTG20006TL

Ultra High Altitude Program Chips - 6560 - 9840 Feet

Fuel Type	RTG-74PV	RTG-74PV-1 RTGL74PV-1	RTG-74PV-2 RTGL74PV†	GT-199PV	GT-199PV-1	GT-199PV-2
Natural	RTG20006DN-1	RTG20006RJ	RTG20006TC	RTG20006JJ	RTG20006RR	RTG20006TJ
LP	RTG20006DL-1	RTG20006RM	RTG20006TF	RTG20006JH	RTG20006RU	RTG20006TM

Accessories

Remote Controls

RTG20006DW UMC-117 Main Remote Control
 RTG20006DU USC1-117 Bath Remote Control
 RTG20006DV USC2-117 Second Bath Remote Control

Service Valves

RTG20220 Tankless Service Valve Kit with Relief Valve
 RTG20220AB Tankless Service Valve Kit with Relief Valve - California Code

Relief Valve

AP12993C Pressure Relief Valve

EZ-Link™ Cable

RTG20040 6-ft. EZ-Link™ Cable

Parts for 74PV and GT-199PV Series (out of production)

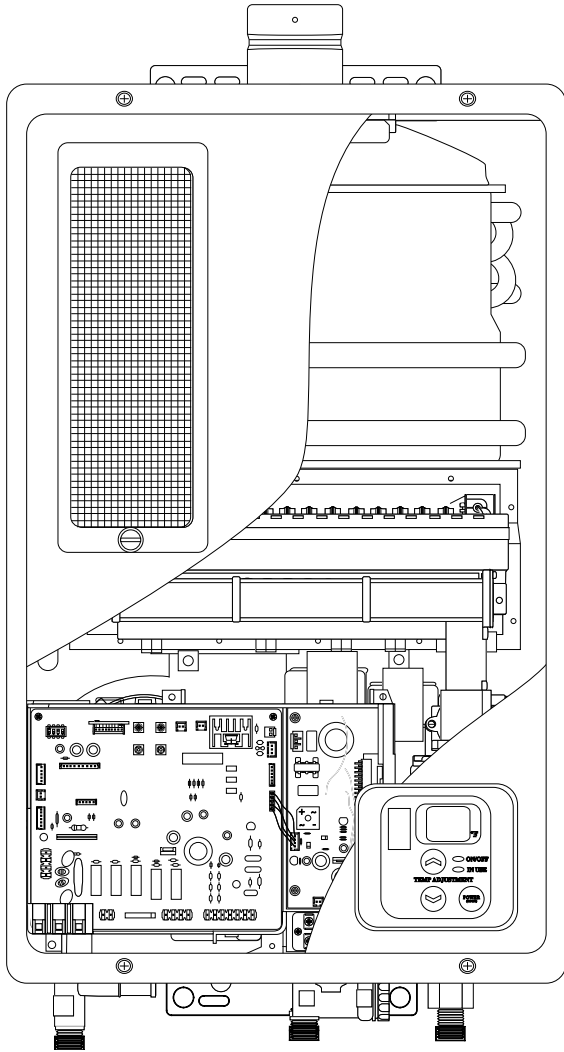
Ref #	Rheem Part #	Description	RTG-74PV	RTG-74PV-1 RTGL74PV-1	RTG-74PV-2 RTGL74PV†	GT-199PV	GT-199PV-1	GT-199PV-2
1	RTG20006JC	Control Board	•			•		
1	RTG20006PG	Control Board		•	•		•	•
	RTG20006CS	Control Board Fuse (5A)	•	•	•	•	•	•
	RTG20074EE	Power Line Fuse (3A)	•	•	•	•	•	•
2	RTG20006PA	Gas Valve	•	•	•	•	•	•
3	RTG20006UF	Burner Assembly - NAT/LP		•**	• (NAT)		•**	• (NAT)
3	RTG20006UG	Burner Assembly -LP			• (LP)			• (LP)
3	RTG20006VJ	Burner Assembly -NAT/LP	•	•*		•	•*	
	RTG20006N	Burner Manifold - R LP	•	•		•	•	
	RTG20006P	Burner Manifold - R NAT	•	•		•	•	
	RTG20006T	Burner Manifold - L LP	•	•		•	•	
	RTG20006U	Burner Manifold - L NAT	•	•		•	•	
	RTG20006UL	Burner Manifold - R NAT			•			•
	RTG20006UM	Burner Manifold - R LP			•			•
	RTG20006UR	Burner Manifold - L NAT			•			•
	RTG20006US	Burner Manifold - L LP			•			•
4	RTG20006AA	Igniter Coil	•	•		•	•	
4	RTG20006UT	Igniter Coil			•			•
	RTG20006AC	Flame Rod	•	•		•	•	
	RTG20006AD	Igniter Electrode	•	•	•	•	•	•
	RTG20006UU	Flame Rod			•			•
5	RTG20006CC	Fan Assembly	•	•	•	•	•	•
	RTG20006AR	Inlet Thermistor - White	•	•	•	•	•	•
	RTG20006BB	Outlet Thermistor - Black	•	•	•	•	•	•
	RTG20006BC	Heat Exchanger Thermistor - Yellow	•	•	•	•	•	•
	RTG20006BV	Ambient Thermistor - Blue	•	•		•	•	
	RTG20006CB	Transformer (120v to 100v)	•	•		•	•	
	RTG20006UW	Ambient Thermistor - Blue			•			•
7	RTG20006AN	Gas Inlet Connector ¾"	•	•	•	•	•	•
8	RTG20006AU	Water Control Valve	•					
8	RTG20006JA	Water Control Valve		•	•	•	•	•
9	RTG20006AL	Water Inlet Connector ¾"	•	•	•	•	•	•
10	RTG20006AS	Inlet Water Filter	•	•	•	•	•	•
11	RTG20006AF	Hot Outlet Connector	•	•	•	•	•	•
	RTG20006AW	Drain Relief Valve	•	•	•	•	•	•
12	RTG20098	Door Switch Kit	•	•	•	•	•	•
13	RTG20006C	Door Filter Screen	•	•	•	•	•	•
	RTG20006VD	Mounting Brackets	•	•	•	•	•	•
	RTG20186	Replacement Screw Kit	•	•	•	•	•	•
	RTG20206	Replacement O-Ring Kit	•	•	•	•	•	•

* If Serial Number is 0906 or earlier

** If Serial Number is 1006 or newer

† The RTGL and ECO models that do not have a suffix, such as a -1 or -2, are equivalent to the RTG-2 series and utilize the same parts. RTGL and ECO models with a suffix, such as -1, are equivalent to the models with a like suffix.

Parts for First Generation RTG-42PV Series (out of production)



Rheem Part #	Description	RTG-42PV
RTG20000BC	Control Board	•
RTG20000BB	Transformer (120v to 100v)	•
RTG20000BJ	Transformer (Power Supply)	•
RTG20074EE	Power Line Fuse (3A)	•
RTG20000Z	Fuse Board Assembly	•
RTG20000AE	Gas Valve - LP	•
RTG20000AF	Gas Valve - Natural	•
RTG20000AW	Gas Inlet Connector 1/2"	•
RTG20000AS	Burner Assembly	•
RTG20000AP	Burner Manifold - LP	•
RTG20000AR	Burner Manifold - Natural	•
RTG20000BF	Igniter Coil	•
RTG20000S	High Limit Switch	•
RTG20000X	Flame Rod	•
RTG20000AH	Fan Assembly with Board	•
RTG20000BG	Water Control Valve	•
RTG20006AS	Inlet Water Filter	•
RTG20000AD	Bypass Pipe	•
RTG20000AX	Water Bypass	•
RTG20000T	Heat Exchanger Thermistor - Yellow	•
RTG20000U	Outlet Thermistor - Black	•
RTG20000V	Inlet Thermistor - White	•
RTG20000BA	Cold Inlet Connector	•
RTG20000AY	Drain Plug	•
RTG20000AZ	Hot Outlet Connector	•
RTG20000AB	Door Filter Screen	•
RTG20006CK	Door Switch	•
RTG20000AU	Display Board	•
RTG20000AV	Display Control Board	•
RTG20000BK	Air Flow Switch	•
RTG20186	Replacement Screw Kit	•
RTG20206	Replacement O-Ring Kit	•

Sea-Level Program Chip

Rheem Part #	Description	RTG-42PV
RTG20000BD	Program Chip - 0-3280 NAT	•
RTG20000BE	Program Chip - 0-3280 LP	•

High Altitude Program Chips - 3281 - 6560 Feet

Rheem Part #	Description	RTG-42PV
RTG20000AK	Program Chip - 3281-6560 NAT	•
RTG20000AJ	Program Chip - 3281-6560 LP	•

Ultra High Altitude Program Chips - 6560 - 9840 Feet

Rheem Part #	Description	RTG-42PV
RTG20000AM	Program Chip - 6560-9840 NAT	•
RTG20000AL	Program Chip - 6560-9840 LP	•

Tankless Model Cross Reference and Notes

Rheem	RUUD	Richmond	EcoSense	Paloma Retail	Paloma
RTG2-42PVN	RUTG2-42PVN	RMTG2-42PVN	NA	PTG2-42PVN	PH-16FISN
RTG2-42PVP	RUTG2-42PVP	RMTG2-42PVP	NA	PTG2-42PVP	PH-16FISP
RTG-53PVN	RUTG-53PVN	RMTG-53PVN	ECO-145PVN*	PTG-53PVN	PH-20RIFSN
RTG-53PVP	RUTG-53PVP	RMTG-53PVP	ECO-141PVP*	PTG-53PVP	PH-20RIFSP
RTG-53XN	RUTG-53XN	RMTG-53XN	ECO-141XN*	PTG-53XN	PH-20ROFN
RTG-53XP	RUTG-53XP	RMTG-53XP	ECO-141XP*	PTG-53XP	PH-20ROFP
RTG-53DVN	RUTG-53DVN	RMTG-53DVN	ECO-141DVN*	PTG-53DVN	PH-20RDVSN
RTG-53DVP	RUTG-53DVP	RMTG-53DVP	ECO-135DVP*	PTG-53DVP	PH-20RDVSP
RTG-66DVN	RUTG-66DVN	RMTG-66DVN	ECO-180DVN*		PH-25RDVSN
RTG-66DVP	RUTG-66DVP	RMTG-66DVP	ECO-180DVP*		PH-25RDVSP
RTG-66XN	RUTG-66XN	RMTG-66XN	ECO-180XN*		PH-25ROFN
RTG-66XP	RUTG-66XP	RMTG-66XP	ECO-180XP*		PH-25ROFP
RTG-74PVN*	RUTG-74PVN*	RMTG-74PVN*		PTG-74PVN*	PH-28RIFSN
RTG-74PVP*	RUTG-74PVP*	RMTG-74PVP*		PTG-74PVP*	PH-28RIFSP
RTG-74XN*	RUTG-74XN*	RMTG-74XN*		PTG-74XN*	PH-28ROFN
RTG-74XP*	RUTG-74XP*	RMTG-74XP*		PTG-74XP*	PH-28ROFP
RTG-74DVN*	RUTG-74DVN*	RMTG-74DVN*		PTG-74DVN*	PH-28RDVSN
RTG-74DVP*	RUTG-74DVP*	RMTG-74DVP*		PTG-74DVP*	PH-28RDVSP
RTGL74PVN**	RUTGL74PVN**	RMTGL74PVN**	ECO200PVN*		
RTGL74PVP**	RUTGL74PVP**	RMTGL74PVP**	ECO200PVP*		
RTGL74XN**	RUTGL74XN**	RMTGL74XN**	ECO200XN*		
RTGL74XP**	RUTGL74XP**	RMTGL74XP**	ECO200XP*		
RTGL74DVN**	RUTGL74DVN**	RMTGL74DVN**	ECO200DVN*		
RTGL74DVP**	RUTGL74DVP**	RMTGL74DVP**	ECO200DVP*		
GT-199PVN*	GT-199PVN*	NA	NA	NA	PH-28CIFSN
GT-199PVP*	GT-199PVP*	NA	NA	NA	PH-28CIFSP
GT-199XN*	GT-199XN*	NA	NA	NA	PH-28COFN
GT-199XP*	GT-199XP*	NA	NA	NA	PH-28COFP
GT-199DVN*	GT-199DVN*	NA	NA	NA	PH-28CDVSN
GT-199DVP*	GT-199DVP*	NA	NA	NA	PH-28CDVSP

* Model may have an additional number attached such as a -1 or -2. These are generation designations. Model numbers with no additional number are first generation, models with a -1 are second generation, models with a -2 are third generation, and so on.

**The RTGL and ECO models that do not have a suffix, such as a -1 or -2, are equivalent to the RTG series -2 models and utilize the same parts as the -2 models. RTGL and ECO models with a -1 suffix are equivalent to the RTG series -1 models.

Tankless Model Cross Reference and Notes

Mid-Efficiency Tankless Model Cross Reference

Rheem	Ruud	Richmond	EcoSense	Paloma
RTG-64DVN	RUTG-64DVN	RMTG64DVN	ECO150DVN3	PH2-20RDVSN
RTG-64DVP	RUTG-64DVP	RMTG64DVP	ECO150DVP3	PH2-20RDVSP
RTG-64XN	RUTG-64XN	RMTG64XN	ECO150XN3	PH2-20ROFN
RTG-64XP	RUTG-64XP	RMTG64XP	ECO150XP3	PH2-20ROFP
RTG-84DVN	RUTG-84DVN	RMTG84DVN	ECO180DVN3	PH2-25RDVSN
RTG-84DVP	RUTG-84DVP	RMTG84DVP	ECO180DVP3	PH2-25RDVSP
RTG-84XN	RUTG-84XN	RMTG84XN	ECO180XN3	PH2-25ROFN
RTG-84XP	RUTG-84XP	RMTG84XP	ECO180XP3	PH2-25ROFP
RTG-95DVN	RUTG-95DVN	RMTG95DVN	ECO200DVN3	PH2-28RDVSN
RTG-95DVP	RUTG-95DVP	RMTG95DVP	ECO200DVP3	PH2-28RDVSP
RTG-95XN	RUTG-95XN	RMTG95XN	ECO200XN3	PH2-28ROFN
RTG-95XP	RUTG-95XP	RMTG95XP	ECO200XP3	PH2-28ROFP
RTG-64DVLN	RUTG-64DVLN	RMTG64DVLN	ECO150DVLN3	PH2-20RDVSLN
RTG-64DVLP	RUTG-64DVLP	RMTG64DVLP	ECO150DVLP3	PH2-20RDVSLP
RTG-64XLN	RUTG-64XLN	RMTG64XLN	ECO150XLN3	PH2-20ROFLN
RTG-64XLP	RUTG-64XLP	RMTG64XLP	ECO150XLP3	PH2-20ROFLP
RTG-84DVLN	RUTG-84DVLN	RMTG84DVLN	ECO180DVLN3	PH2-25RDVSLN
RTG-84DVLP	RUTG-84DVLP	RMTG84DVLP	ECO180DVLP3	PH2-25RDVSLP
RTG-84XLN	RUTG-84XLN	RMTG84XLN	ECO180XLN3	PH2-25ROFLN
RTG-84XLP	RUTG-84XLP	RMTG84XLP	ECO180XLP3	PH2-25ROFLP
RTG-95DVLN	RUTG-95DVLN	RMTG95DVLN	ECO200DVLN3	PH2-28RDVSLN
RTG-95DVLP	RUTG-95DVLP	RMTG95DVLP	ECO200DVLP3	PH2-28RDVSLP
RTG-95XLN	RUTG-95XLN	RMTG95XLN	ECO200XLN3	PH2-28ROFLN
RTG-95XLP	RUTG-95XLP	RMTG95XLP	ECO200XLP3	PH2-28ROFLP

Parts for the Mid-Efficiency Tankless Models begin on page 14.

Tankless Model Cross Reference and Notes

Condensing Tankless Model Cross Reference

Rheem	Ruud	Richmond	EcoSense	Paloma
RTGH-95DVN	RUTGH-95DVN	RMTGH95DVN	ECOH200DVN	PHH-32RDVN
RTGH-95DVP	RUTGH-95DVP	RMTGH95DVP	ECOH200DVP	PHH-32RDVP
RTGH-95XN	RUTGH-95XN	RMTGH95XN	ECOH200XN	PHH-32ROFN
RTGH-95XP	RUTGH-95XP	RMTGH95XP	ECOH200XP	PHH-32ROFP
RTGH-84DVN	RUTGH-84DVN	RMTGH84DVN	ECOH160DVN	PHH-25RDVN
RTGH-84DVP	RUTGH-84DVP	RMTGH84DVP	ECOH160DVP	PHH-25RDVP
RTGH-84XN	RUTGH-84XN	RMTGH84XN	ECOH160XN	PHH-25ROFN
RTGH-84XP	RUTGH-84XP	RMTGH84XP	ECOH160XP	PHH-25ROFP
RTGH-95DVLN	RUTGH-95DVLN	RMTGH95DVLN	ECOH200DVLN	PHH-32RDVLN
RTGH-95DVLP	RUTGH-95DVLP	RMTGH95DVLP	ECOH200DVLP	PHH-32RDVLP
RTGH-95XLN	RUTGH-95XLN	RMTGH95XLN	ECOH200XLN	PHH-32ROFLN
RTGH-95XLP	RUTGH-95XLP	RMTGH95XLP	ECOH200XLP	PHH-32ROFLP
RTGH-90DVLN	RUTGH-90DVLN	RMTGH90DVLN	ECOH180DVLN	PHH-29RDVLN
RTGH-90DVLP	RUTGH-90DVLP	RMTGH90DVLP	ECOH180DVLP	PHH-29RDVLP
RTGH-90XLN	RUTGH-90XLN	RMTGH90XLN	ECOH180XLN	PHH-29ROFLN
RTGH-90XLP	RUTGH-90XLP	RMTGH90XLP	ECOH180XLP	PHH-29ROFLP
RTGH-84DVLN	RUTGH-84DVLN	RMTGH84DVLN	ECOH160DVLN	PHH-25RDVLN
RTGH-84DVLP	RUTGH-84DVLP	RMTGH84DVLP	ECOH160DVLP	PHH-25RDVLP
RTGH-84XLN	RUTGH-84XLN	RMTGH84XLN	ECOH160XLN	PHH-25ROFLN
RTGH-84XLP	RUTGH-84XLP	RMTGH84XLP	ECOH160XLP	PHH-25ROFLP

Parts for the Condensing Tankless Models begin on Page 10.



Rheem helps you give your customers the **value**, **performance** and **features** they want. From our tried and true tank-type water heaters to our space-saving tankless solutions that provide continuous hot water, Rheem has something to **satisfy the budgets** and lifestyles of every customer.

In addition to our large selection of **water heating solutions**, Rheem also has a full line of **heating and cooling** products, parts and accessories for warm winter nights, cool summer days and hot water all year long.



The new degree of comfort.™

In keeping with its policy of continuous progress and improvement, Rheem reserves the right to make changes without notice.

Rheem Replacement Parts • 4744 Island Ford Road
Randleman, NC 27317 • 336.495.6800 • 336.495.6897 fax
www.rheemparts.com



INTEGRATED HOME COMFORT

Rheem.com
PRINTED IN USA 09/16 TKPP-101 Rev 6