



ITT

Commercial Water

Goulds Pumps

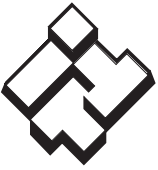
GB Repair Parts



Goulds Pumps is a brand of ITT
Residential and Commercial Water.

www.goulds.com

Engineered for life



ITT

GOULDS PUMPS Commercial Water

GB NUMBERING SYSTEM

The various versions of the Series GB are identified by a product code number on the pump label. This number is also the catalog number for the pump. The meaning of each digit in the product code number is shown below. The following are the standard 60 Hz product numbers and are built with Single Phase ODP motors and standard staging. The cast iron version uses Seal Code 0 and the stainless version uses Seal Code 4.

Order No.		Description				
Cast Iron	Stainless	HP	Phase	Voltage	Enclosure	Stages
5GBC03	5GBS03	1/2 ①	1	115-230	ODP	7
5GBC05	5GBS05	1/2				9
5GBC07	5GBS07	3/4				14
5GBC10	5GBS10	1				17
7GBC05	7GBS05	1/2				9
7GBC07	7GBS07	3/4				13
7GBC10	7GBS10	1				16
10GBC07	10GBS07	3/4				8
10GBC10	10GBS10	1				10
10GBC15	10GBS15	1 1/2				15
10GBC20	10GBS20	2				17

① Unit is supplied with 1/2 HP motor.

* All 3 HP motors are 230V only.

Order No.		Description				
Cast Iron	Stainless	HP	Phase	Voltage	Enclosure	Stages
18GBC07	18GBS07	3/4	1	115-230*	ODP	5
18GBC10	18GBS10	1				7
18GBC15	18GBS15	1 1/2				9
18GBC20	18GBS20	2				13
18GBC30	18GBS30	3				15
25GBC07	25GBS07	3/4				5
25GBC10	25GBS10	1				7
25GBC15	25GBS15	1 1/2				9
25GBC20	25GBS20	2				10
25GBC30	25GBS30	3				14
33GBC10	33GBS10	1				5
33GBC15	33GBS15	1 1/2				7
33GBC20	33GBS20	2				9
33GBC30	33GBS30	3				13



ITT

GOULDS PUMPS Commercial Water

GB NUMBERING SYSTEM

For optional motor enclosures, seals and three phase configurations use the following product code system.

Example Code

5 GB C 05 1 5 J 0

MECHANICAL SEAL AND O-RING

0 = Standard on Cast Iron and 4 = Standard on Stainless Steel.

For Optional Mechanical Seal modify catalog order no. with Seal Code listed below.

Mechanical Seal (3/8" seal)						
Seal Code	Rotary	Stationary	Elastomers	Metal Parts	Part No.	Casing O-Ring
0	Carbon	Ceramic	BUNA	18-8SS	10K10	BUNA
3		Sil-Carbide	EPR	316SS	10K18	EPR
4			Viton		10K55	Viton

NUMBER OF STAGES

A = 1 D = 4 G = 7 K = 10 N = 13 R = 16 U = 19 X = 22

B = 2 E = 5 H = 8 L = 11 P = 14 S = 17 V = 20 Y = 23

C = 3 F = 6 J = 9 M = 12 Q = 15 T = 18 W = 21 Z = 24

DRIVER

1 = 1 PH, ODP

4 = 1 PH, TEFC

2 = 3 PH, ODP

5 = 3 PH, TEFC

3 = 3 PH, 575V ODP

DRIVER: HERTZ/POLE/RPM

1 = 60 Hz, 2 pole, 3500 RPM

2 = 50 Hz, 2 pole, 2900 RPM

HP RATING

03 = 1/2 HP

10 = 1 HP

50 = 5 HP

Note: 1/2 HP Single Phase unit is supplied with 1/2 HP motor.

05 = 1/2 HP

20 = 2 HP

07 = 3/4 HP

30 = 3 HP

MATERIAL – DISCHARGE, HEAD AND SUCTION HOUSING

C = Cast Iron

S = Stainless Steel

PUMP MODEL

GB

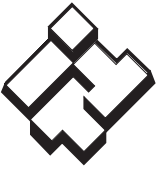
GALLONS PER MINUTE

5 7 10 18 25 33

Note: Not recommended for operation beyond recommended range specified on H-Q curve.

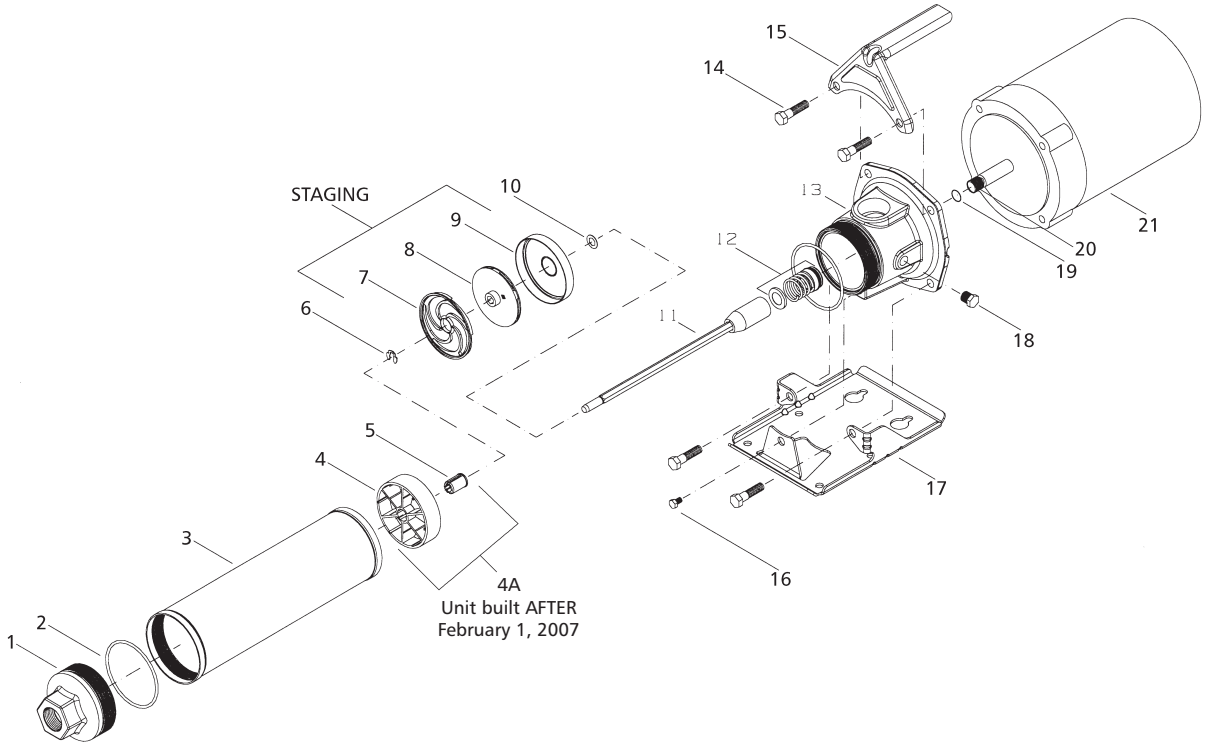
For critical application conditions consult factory.

Note: Not all combinations of motor, impeller and seal options are available for every pump model. Please check with Goulds Pumps on non-cataloged numbers.



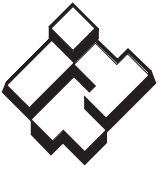
ITT

GOULDS PUMPS Commercial Water



Models Built BEFORE February 1, 2007

Item No.	Description	Material	Qty.	HP	GB5	GB7	GB10	GB18	GB25	GB33	
3	Casing	304SS	1	1/3	7K1796						
				1/2	7K1797	7K1800					
				3/4	7K1865	7K1799	7K1803	7K1807	7K1811		
				1	7K1806	7K1801	7K1804	7K1808	7K1812	7K2474	
				1 1/2			7K1805	7K1798	7K1813	7K2571	
				2			7K1806	7K1809	7K1814	7K2475	
				3				7K1810	7K1815	7K2476	
				5						7K2477	
4	Bearing Spider	GF Polycarbonate	ALL	7K1372							
5	Bearing	Urethane		7K1740							



ITT

GOULDS PUMPS Commercial Water

GB STANDARD REPAIR PARTS LIST Models Built AFTER February 1, 2007

HP	Current Models					
	GB5	GB7	GB10	GB18	GB25	GB33
	Number of Stages					
1/3	7					
1/2	9	9				
3/4	14	13	8	5	5	
1	17	16	10	7	7	5
1 1/2			15	9	9	7
2			17	13	10	9
3				15	14	13
5						19

Item No.	Description	Material	Qty.	HP	Part Number							
1	Discharge Head	Cast Iron	1	All	1K343							
		304SS			1K347							
2	O-Ring Casing	Standard	2		5K225							
		Optional			5K281							
		Optional			5K282							
3	Casing	304SS	1		1/3	7K2999						
					1/2	7K3000	7K3003					
					3/4	7K3023	7K3002	7K3006	7K3010	7K3014		
					1	7K3009	7K3004	7K3007	7K3011	7K3015	7K3045	
					1 1/2			7K3008	7K3001	7K3016	7K3053	
				2			7K3009	7K3012	7K3017	7K3046		
				3				7K3013	7K3018	7K3047		
5						7K3048						
4A	Bearing and Spider Assembly	GF Eng. Comp.	= staging	All	7K2676							
6	Klip Ring	301SS			7K817							
7	Diffuser	GF Polycarbonate			7K1750	7K995	7K17	7K20	7K20	7K1590		
8	Impeller				7K1837	7K1343	7K35	7K1334	7K19	7K1739		
9	Bowl				7K1838	7K478	7K478	7K858	7K18	7K1584		
10	Shim	304SS			Varies	7K155						
11	Shaft/Coupling Assembly				1/3	7K1816						
					1/2	7K1817	7K1820					
					3/4	7K1863	7K1819	7K1823	7K1827	7K1831		
					1	7K1826	7K1821	7K1824	7K1828	7K1832	7K2465	
			1 1/2			7K1825	7K1818	7K1833	7K2561			
			2			7K1826	7K1829	7K1834	7K2464			
3				7K1830	7K1835	7K2463						
5						7K2462						
12	Mechanical Seal	See Mechanical Seal Chart on page 1 in the GB Number System										
13	Motor Adapter	Cast Iron	1	All	1K615							
		304SS			1K348							
14	Screw, motor to motor adapter	Steel	4		13K69							
15	Handle				4K452							
16	Screw, base to motor adapter	304SS	1		13K257							
17	Base	Steel			4K451							
18	Pipe Plug	316SS			6K2							
					6K141							
19	O-Ring Coupling	Standard	1		5K283							
		Optional			5K284							
		Optional		5K285								
20	Deflector	BUNA		5K7								
21	Motor	See Repair Part Motor List Below										
22	Power Cord (Not shown)	14-3 SJO or SJOW/SJOW-A	1	All	4K191							



ITT

GOULDS PUMPS
Commercial Water

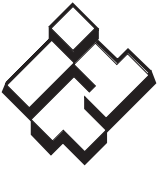
GB CLOSE-COUPLED MOTORS 3500 RPM

HP	Single-Phase, 60 HZ, 115/230 V**, 56J Frame					
	Open, Drip-Proof			Totally Enclosed, Fan Cooled		
	Order No.	Max. Amps	Wt. (lbs.)	Order No.	Max. Amps	Wt. (lbs.)
1/2	E04853S	10.6/5.3		E04821S	9.2/4.6	30
3/4	E05853S	14.0/7.0	19	E05821S	11.4/5.7	33
1	E06853S	17.2/8.6	22	E06821S	15.0/7.5	37
1 1/2	E07858S	18.0/9.0	31	E07821S	18.8/9.4	40
2	E08854BBS	22.4/11.2	33	E08821BBS	20.0/10.4	42
3	E09854BB	14.2	37	E09821BBS	13.8	48

Note:** All 3 HP Single-Phase motors are 230 V only.

HP	Three-Phase, 60 HZ, 208-230/460 V**, 56J Frame					
	Open, Drip-Proof			Totally Enclosed, Fan Cooled		
	Order No.	Max. Amps	Wt. (lbs.)	Order No.	Max. Amps	Wt. (lbs.)
1/3	E03873S	9/4.5	15			
1/2	E04873S	2.8-2.6/1.3	19	E04876S	2.7-2.8/1.4	18
3/4	E05873S	3.6-3.4/1.7	19	E05876S	3.6-3.5/1.75	21
1	E06873S	4.5-4.4/2.2	22	E06876S	4.2-4.0/2.0	21
1 1/2	E07878S	5.8-5.4/2.7	25	E07876S	5.6-5.2/2.6	27
2	E08874BB	6.8-6.3/3.3	29	E08876BB	7.0-6.8/3.4	33
3	E09874BB	9.2-8.8/4.4	32	E09876BB	9.5-9.0/4.5	44
5				C10876	13.6/6.8	48

Note:** 1/3 and 1/2 HP ODP are 230/460 V only.



ITT

GOULDS PUMPS
Commercial Water

NOTES



ITT

Commercial Water



Goulds Pumps and the ITT Engineered Blocks Symbol are registered trademarks and tradenames of ITT Corporation.

SPECIFICATIONS ARE SUBJECT TO CHANGE WITHOUT NOTICE.

RGB January, 2007

© 2007 ITT Corporation

Engineered for life