



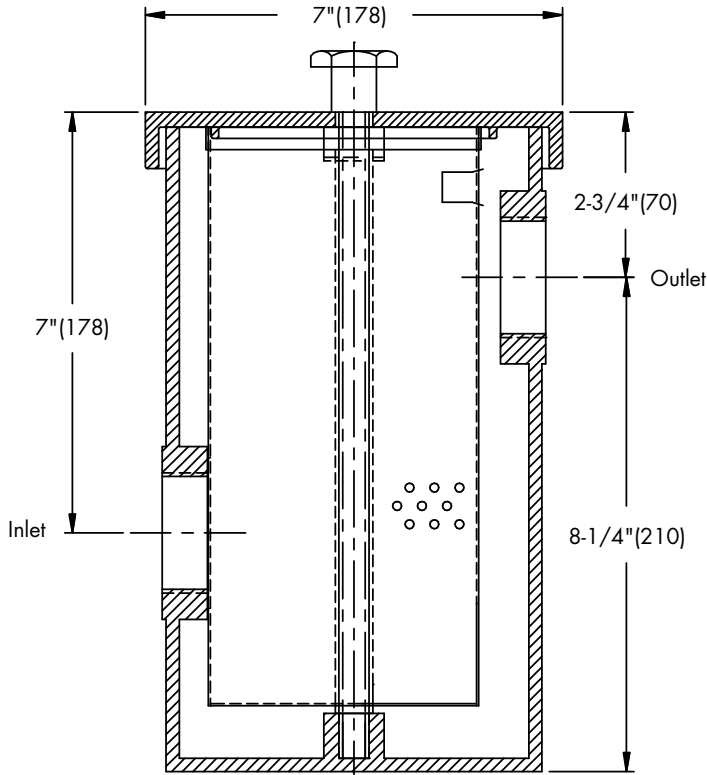
SI-742

Hair, Plaster & Sediment Interceptor

Tag: _____

SPECIFICATION: Watts Drainage SI-742 floor mounted epoxy coated cast aluminum sediment interceptor with removable stainless steel sediment basket, gasketed cover, and 2"(51) IPS threaded connections.

NOTE: 10"(254) clearance required above cover to remove sediment basket.



Suffix	Options (Select One) Description
-SS	Stainless Steel <input type="checkbox"/>

NOTICE

The information contained herein is not intended to replace the full product installation and safety information available or the experience of a trained product installer. You are required to thoroughly read all installation instructions and product safety information before beginning the installation of this product.

Job Name _____

Contractor _____

Job Location _____

Contractor's P.O. No. _____

Engineer _____

Representative _____

Watts product specifications in U.S. customary units and metric are approximate and are provided for reference only. For precise measurements, please contact Watts Technical Service. Watts reserves the right to change or modify product design, construction, specifications, or materials without prior notice and without incurring any obligation to make such changes and modifications on Watts products previously or subsequently sold.



USA: Tel: (800) 338-2581 • Fax: (828) 248-3929 • Watts.com

Canada: Tel: (905) 332-4090 • Fax: (905) 332-7068 • Watts.ca

Latin America: Tel: (52) 81-1001-8600 • Fax: (52) 81-8000-7091 • Watts.com