

Flush Valve for Washdown Urinals

TECK[®]
COMMERCIAL

DELTA[®]

SPECIFICATION: (example)

- **HEAVY-DUTY**, back inlet supply
- **CAST BRASS** valve for 3/4" IP spud urinal
- Polished chrome plated finish
- Delta[®] slow close cartridge, factory set for 0.5 gallon (1.9 litres) flush
- Chrome plated union inlet stop
- Brass oscillating lever handle, coupling nuts, inlet cover tube
- Set screw wall flange, spud flange, outlet tube
- **1/2" universal FIP/copper sweat inlet For Washdown Urinals**

□ **86T505** 



86T505

SPECIFICATION: (example)

- **HEAVY-DUTY**, back inlet supply
- **CAST BRASS** valve for 3/4" IP spud urinal
- Polished chrome plated finish
- Delta[®] slow close cartridge, factory set for 0.5 gallon (1.9 litres) flush
- Chrome plated brass coupling nuts, inlet cover tube
- Wall flange, spud flange, outlet tube
- **1/2" universal FIP/copper sweat inlet For Washdown Urinals**

□ **86T502** 

with brass oscillating lever handle

SPECIFICATION: (example)

- **HEAVY-DUTY**, top inlet supply
- **CAST BRASS** valve for 3/4" IP spud urinal
- Polished chrome plated finish
- Delta[®] slow close cartridge, factory set for 0.5 gallon (1.9 litres) flush
- Chrome plated brass coupling nuts, spud flange, outlet tube
- **1/2" universal FIP/copper sweat inlet For Washdown Urinals**

□ **86T503** 

with brass oscillating lever handle



86T503

SPECIFICATION: (example)

Vacuum breaker assembly for above urinal valves

□ **86T610**



86T610

INSTALLATION WARNING:

Models supplied LESS vacuum breakers must be installed on fixtures providing sufficient air gap protection against backflow.

Engineer/Architect Approval

Model Specified:

Approval:

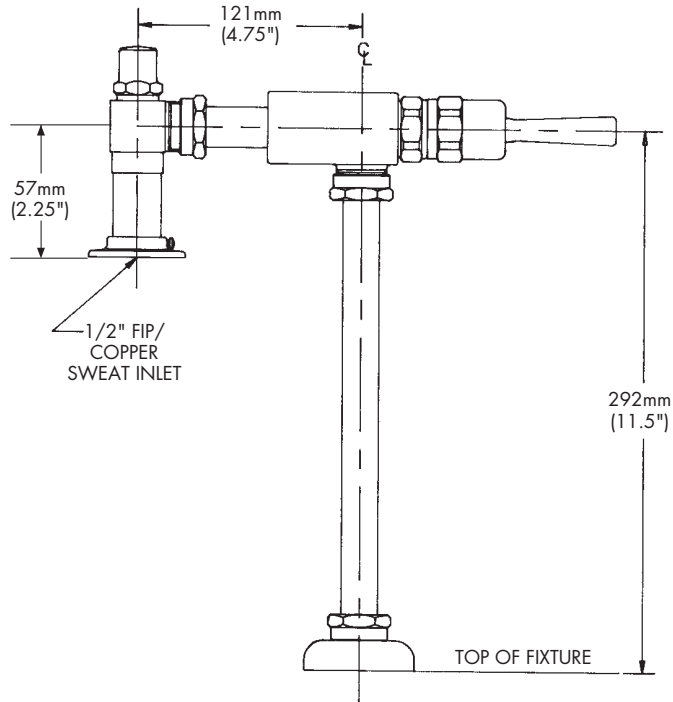
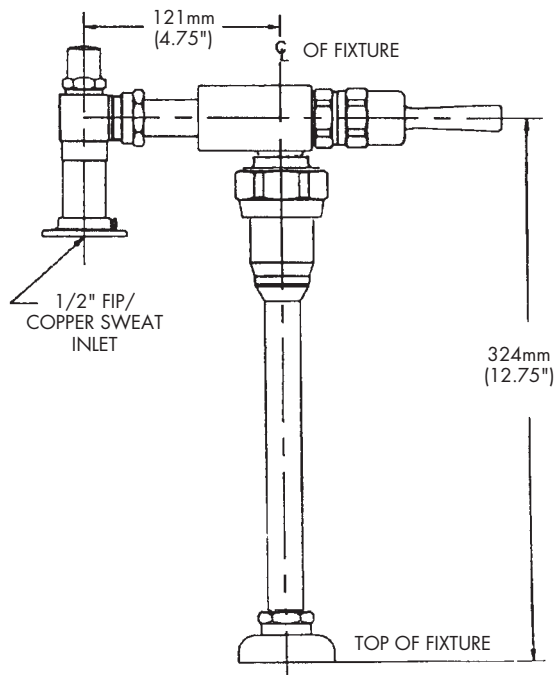
Date:


Approvals:

- IAPMO listed to CSA B125.3 and ASSE 1037
- Lever Handle
Indicates compliance to ICC/ANSI A117.1

(Contact Delta Representative for State and/or Local Approvals.)

Extensions Available for Inlet Centers and for Outlet Tube Heights

86T505

86T505 with 86T610

INLETS - 1/2" FIP/Copper

Note: Measurements may vary \pm 6mm (0.25")

Refer to www.specselect.com for individual models.

Note: Use this page front and back as a product submittal sheet.