
Ditch Wizard

Contractor Dewatering Pump

INSTALLATION, OPERATION AND MAINTENANCE MANUAL



Table of Contents

SUBJECT	PAGE
Data Plate Interpretation	3
Product Description	3
Dimensions.....	3
Applications.....	3
Technical Data.....	3
Installation	4
Electrical Connections	4
Level Switch Operation	4
Operation	4
Care and Maintenance	5
Inspection	5
Tightening and Lubricating Screws.....	5
Spare Parts	5
Limited Warranty	6

Owner's Information

Pump Model Number: _____

Pump Serial Number: _____

Motor Model Number: _____

Motor Serial Number: _____

Dealer: _____

Dealer Telephone: _____

Purchase Date: _____

Installation Date: _____

Safety Instructions

TO AVOID SERIOUS OR FATAL PERSONAL INJURY OR MAJOR PROPERTY DAMAGE, READ AND FOLLOW ALL SAFETY INSTRUCTIONS IN THE MANUAL AND ON THE PUMP.



This is a **SAFETY ALERT SYMBOL**. When you see this symbol on the pump or in the manual, look for one of the following signal words and be alert to the potential for personal injury or property damage.



DANGER Warns of hazards that **WILL** cause serious personal injury, death or major property damage.



WARNING Warns of hazards that **CAN** cause serious personal injury, death or major property damage.



CAUTION Warns of hazards that **CAN** cause personal injury or property damage.

NOTICE: INDICATES SPECIAL INSTRUCTIONS WHICH ARE VERY IMPORTANT AND MUST BE FOLLOWED.

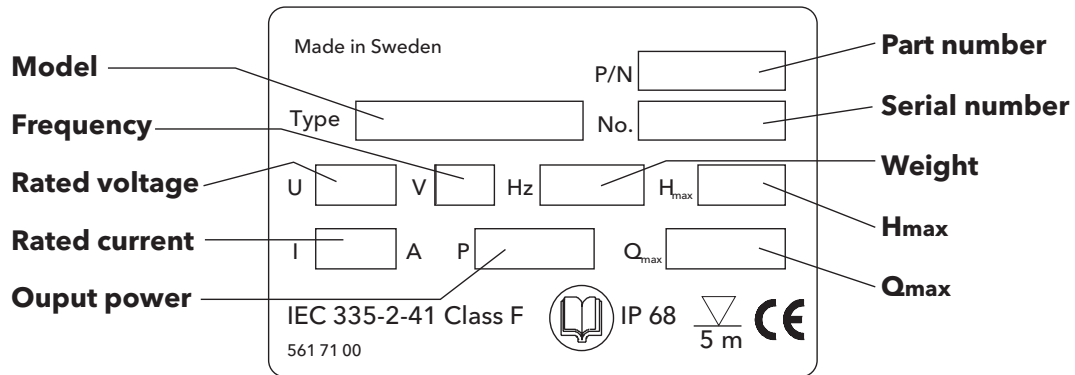
THIS MANUAL IS INTENDED TO ASSIST IN THE INSTALLATION AND OPERATION OF THIS UNIT. THOROUGHLY REVIEW ALL INSTRUCTIONS AND WARNINGS PRIOR TO PERFORMING ANY WORK ON THIS PUMP.

MAINTAIN ALL SAFETY DECALS.



- Install, ground and wire according to local and National Electrical Code Requirements.
- Install an all leg disconnect switch near the pump.
- Disconnect and lockout electrical power before installing or servicing the pump.
- Electrical supply must match motor's nameplate specifications. Incorrect voltage can cause fire, damage motor and void the warranty.

Single phase pump motors are equipped with an automatic thermal protector, which opens the motor's electrical circuit when an overload condition exists. This can cause the pump to start unexpectedly.



Note: The Nameplate HP ratings on these dewatering pumps have been converted from the common European Kw designation. This created a slight difference between the HP rating used in our literature versus the pump's nameplate HP. Therefore, when using this manual:

½ HP Model = a .6 nameplate rating
 1 HP Model = 1.1 nameplate rating

Product Description

APPLICATIONS

Dewatering pumps are intended to be used for pumping water which may contain abrasive particles. The pumped liquid may contain particles up to a size which corresponds to the openings in the strainer.

TECHNICAL DATA

Liquid temperature: 41- 95°F (5-35°C)

The pH of the pumped liquid: 3-8

Depth of immersion: max. 16.5 ft (5 m).

Discharge connection:

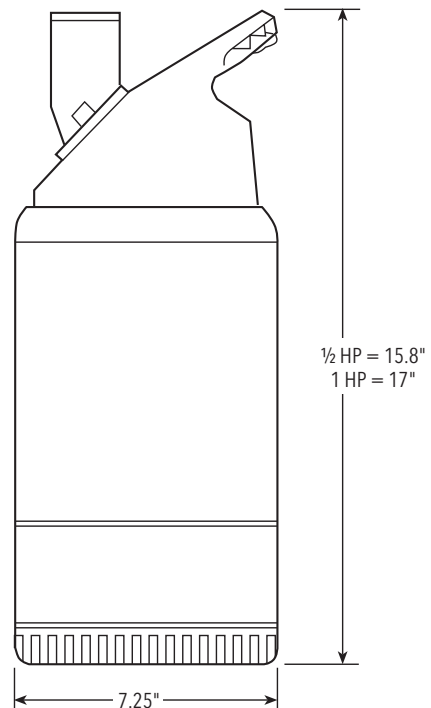
2" (50 mm) hose, 2"-11.5 NPSM or 2" NPT

Oil type:

Mobil Whiterex or Shell Ondina etc. with viscosity class ISO VG 15 to 32. 0.17 liter.

⚠ WARNING The pump may not be used in an explosive or flammable environment or for pumping flammable liquids.

Dimensions



Installation

Run the cables so that they do not have any sharp bends and are not pinched.

Connect the motor cable to a grounded power supply. See “Electrical connections”.

Connect a discharge hose to the threaded discharge connection. The pump is now fitted with a discharge hub which may be adjusted to provide either vertical (std.) or horizontal discharge. Simply remove the (2) hex head cap screws holding the discharge hub, turn the discharge hub 180° and reinstall the (2) screws.

Lower the pump into the sump by its handle. Do not lower with cord.

Place the pump on a base which will prevent it from sinking into a soft sump bottom. Alternatively, the pump can be suspended by its handle just above the sump bottom.

NOTICE: WHERE REQUIRED BY LOCAL AUTHORITIES AN ACCEPTABLE MOTOR-CIRCUIT SWITCH OR OTHER DISCONNECTING DEVICE SHALL BE PROVIDED AT THE TIME OF INSTALLATION.

NOTICE: AT CERTAIN INSTALLATIONS AND OPERATION POINTS ON THE PUMP CURVE THE NOISE LEVEL, 70 DB, CAN BE EXCEEDED.

Electrical Connections

⚠ WARNING All electrical equipment must be grounded. This applies to both pump equipment and any monitoring equipment. Failure to heed this warning may cause a lethal accident. Make sure that the ground lead is correctly connected by testing it.

All electrical work shall be carried out under the supervision of an authorized electrician.

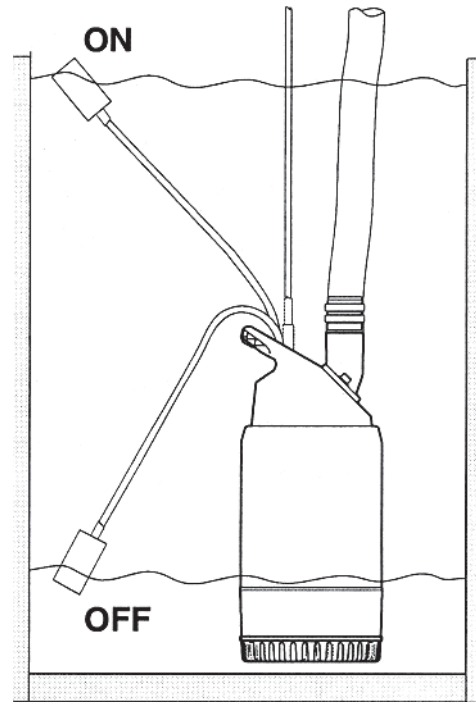
Local codes and regulations shall be complied with.

Check that the main voltage and frequency agree with the specifications on the pump data plate.

Make sure that the pump is correctly grounded.

⚠ WARNING If people are likely to come into physical contact with the pump or pumped media (liquid), e.g on construction sites or farms etc., the grounded socket must have an additional ground-fault protection device (GFI) connected. When pumping near a lake (Jetties, beaches, ponds and fountains etc.) a safety-distance of at least 65 ft. (20 meters) between people and the pump is applicable. The pump must never be placed directly into a swimming pool unless it is shut down for maintenance. If used in connection with swimming pools, special safety regulations apply.

LEVEL SWITCH OPERATION



Pump control by use of level switch.

Operation

BEFORE STARTING

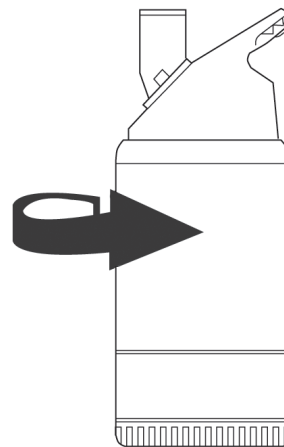
Check the oil level in the oil casing.

Remove the fuses or open the circuit breaker and check that the impeller can be rotated by hand.

Check that the monitoring equipment (if any) works.

Check the direction of rotation. The impeller should rotate clockwise, as viewed from above. When started, the pump will spin in the opposite direction to the direction in which the impeller rotates. See the figure.

STARTING JERK



CLEANING

If the pump has been running in very dirty water, let it run for a while in clean water, or flush it through the discharge connection. If clay, cement or other similar dirt is left in the pump it may clog the impeller and seal, preventing the pump from working.

During a long period of storage, the pump must be test run every other month to prevent the mechanical seals from sticking together.

⚠ WARNING Watch out for the starting jerk, which can be powerful.

⚠ WARNING Always lift the pump by its carrying handle or lifting eyes, never by the motor cable or the hose.

Care and Maintenance

INSPECTION

Regular inspection and preventive maintenance ensure more reliable operation.

The pump should be inspected at least twice a year, more frequently under severe operating conditions.

TIGHTENING SCREWS

During assembly or service of the pump we recommend that the screws be tightened to approximately 4.5 - 6 ft lbs (6-8Nm).

This tightening torque ensures that the parts are correctly fastened and that the pump will operate as intended.

NOTICE: Make sure that the oil-plug screw is not overtightened.

⚠ WARNING Be sure to disconnect the power supply before attempting inspection, as the pump may start automatically.

LUBRICATING SCREWS

To maintain screw tightness use a little mineral oil on all non-stainless screws (non-synthetic lubricants!).

NOTICE: When using stainless steel screws on stainless steel parts we recommend that ARAL DEGOL GS 460 or National Chemseal THREAD-EZE lubricants be used to prevent screws from seizing or getting stuck.

⚠ WARNING If the motor cable on this pump is damaged the cable may only be changed by a repair shop authorized by the manufacturer. This is necessary as special tools are required to change the cable.

Spare Parts

SPARE PART KITS

Spare parts for the dewatering pumps are available in kits to make service and repair work easier. Each kit contains an instruction sheet with the replacement parts.

Kit type	½ HP 60Hz, Kit No.	1 HP 60Hz, Kit No.
Impeller Kit	15K11	15K12
Diffuser Kit	15K13	15K13
Outer Seal Kit	15K14	15K14

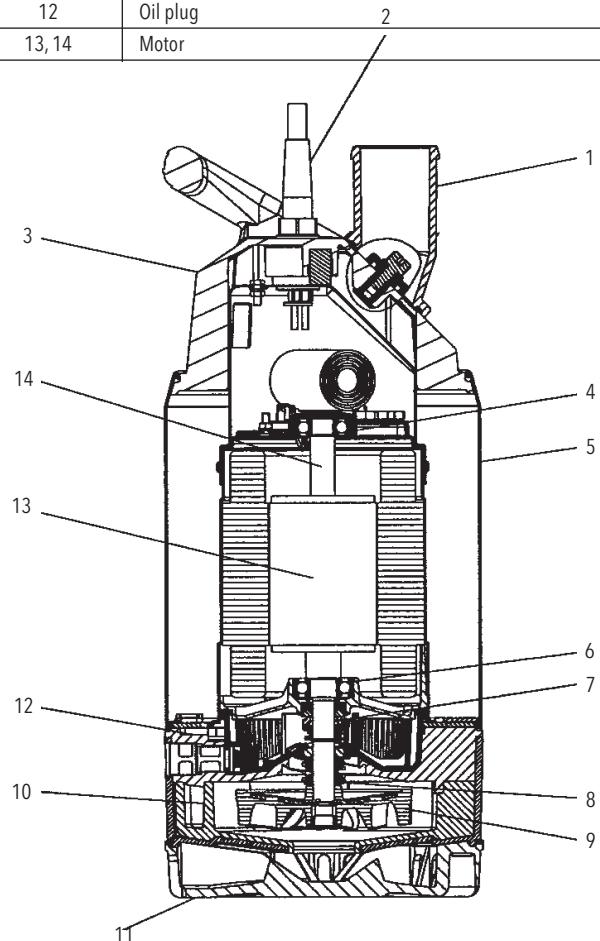
Each Kit contains the following parts:

Impeller Kit	Impeller, Impeller screw, Protective plug, Washer, Assembly instruction
Diffuser Kit	Diffuser, Barrel nuts, Screws, Washers, Assembly instruction
Outer seal Kit	Mechanical face-seal unit, Assembly instruction

Please contact your local distributor for further details regarding spare parts etc.

Components

Item No.	Description
1	Discharge
2	Power cord
3	Handle/cover
4	Support bearing
5	Pump casing
6	Main bearing
7	Inner mechanical seal
8	Outer mechanical seal
9	Impeller
10	Suction cover
11	Strainer
12	Oil plug
13, 14	Motor



LIMITED CONSUMER WARRANTY

For goods sold for personal, family or household purposes, Seller warrants the goods purchased hereunder (with the exception of membranes, seals, gaskets, elastomer materials, coatings and other "wear parts" or consumables all of which are not warranted except as otherwise provided in the quotation or sales form) will be free from defects in material and workmanship for a period of one (1) year from the date of installation or eighteen (18) months from the product date code, whichever shall occur first, unless a longer period is provided by law or is specified in the product documentation (the "Warranty").

Except as otherwise required by law, Seller shall, at its option and at no cost to Buyer, either repair or replace any product which fails to conform with the Warranty provided Buyer gives written notice to Seller of any defects in material or workmanship within ten (10) days of the date when any defects or non-conformance are first manifest. Under either repair or replacement option, Seller shall not be obligated to remove or pay for the removal of the defective product or install or pay for the installation of the replaced or repaired product and Buyer shall be responsible for all other costs, including, but not limited to, service costs, shipping fees and expenses. Seller shall have sole discretion as to the method or means of repair or replacement. Buyer's failure to comply with Seller's repair or replacement directions shall terminate Seller's obligations under this Warranty and render this Warranty void. Any parts repaired or replaced under the Warranty are warranted only for the balance of the warranty period on the parts that were repaired or replaced. The Warranty is conditioned on Buyer giving written notice to Seller of any defects in material or workmanship of warranted goods within ten (10) days of the date when any defects are first manifest.

Seller shall have no warranty obligations to Buyer with respect to any product or parts of a product that have been: (a) repaired by third parties other than Seller or without Seller's written approval; (b) subject to misuse, misapplication, neglect, alteration, accident, or physical damage; (c) used in a manner contrary to Seller's instructions for installation, operation and maintenance; (d) damaged from ordinary wear and tear, corrosion, or chemical attack; (e) damaged due to abnormal conditions, vibration, failure to properly prime, or operation without flow; (f) damaged due to a defective power supply or improper electrical protection; or (g) damaged resulting from the use of accessory equipment not sold or approved by Seller. In any case of products not manufactured by Seller, there is no warranty from Seller; however, Seller will extend to Buyer any warranty received from Seller's supplier of such products.

Goulds Water Technology Policy Concerning Online Sales to Consumers. Homeowners using the Internet to locate information regarding residential water systems, residential wastewater systems, controls and tanks may discover several sites offering a direct-to-consumer purchasing opportunity. Residential water and wastewater systems are mission critical applications and are designed to be installed by qualified professionals. Goulds Water Technology has an extensive nationwide network of distributors and dealers, including authorized resellers. For a complete view of Goulds Water Technology recognized distributors, dealers and authorized resellers, please refer to our locator at: <http://goulds.com/sales-service/>

No warranty is offered on Goulds Water Technology equipment purchased over the Internet, including web-based options from unauthorized retailers. This policy is necessary to ensure that Goulds Water Technology equipment is installed properly, in compliance with applicable laws, rules and codes, in a manner that addresses safety concerns and the proper performance of Goulds Water Technology equipment.

THE FOREGOING WARRANTY IS PROVIDED IN PLACE OF ALL OTHER EXPRESS WARRANTIES. ALL IMPLIED WARRANTIES, INCLUDING BUT NOT LIMITED TO THE IMPLIED WARRANTIES OF MERCHANTABILITY AND FITNESS FOR A PARTICULAR PURPOSE, ARE LIMITED TO ONE (1) YEAR FROM THE DATE OF INSTALLATION OR EIGHTEEN (18) MONTHS FROM THE PRODUCT DATE CODE, WHICHEVER SHALL OCCUR FIRST. EXCEPT AS OTHERWISE REQUIRED BY LAW, BUYER'S EXCLUSIVE REMEDY AND SELLER'S AGGREGATE LIABILITY FOR BREACH OF ANY OF THE FOREGOING WARRANTIES ARE LIMITED TO REPAIRING OR REPLACING THE PRODUCT AND SHALL IN ALL CASES BE LIMITED TO THE AMOUNT PAID BY THE BUYER FOR THE DEFECTIVE PRODUCT. IN NO EVENT SHALL SELLER BE LIABLE FOR ANY OTHER FORM OF DAMAGES, WHETHER DIRECT, INDIRECT, LIQUIDATED, INCIDENTAL, CONSEQUENTIAL, PUNITIVE, EXEMPLARY OR SPECIAL DAMAGES, INCLUDING BUT NOT LIMITED TO LOSS OF PROFIT, LOSS OF ANTICIPATED SAVINGS OR REVENUE, LOSS OF INCOME, LOSS OF BUSINESS, LOSS OF PRODUCTION, LOSS OF OPPORTUNITY OR LOSS OF REPUTATION.

Some states do not allow limitations on how long an implied warranty lasts, so the above limitation may not apply to you. Some states do not allow the exclusion or limitation of incidental or consequential damages, so the above exclusions may not apply to you. This warranty gives you specific legal rights, and you may also have other rights which may vary from state to state.

To make a warranty claim, check first with the dealer from whom you purchased the product or visit www.xylem.com for the name and location of the nearest dealer providing warranty service.



Xylem Inc.
2881 East Bayard Street Ext., Suite A
Seneca Falls, NY 13148
Phone: (866) 325-4210
Fax: (888) 322-5877
www.gouldswatertechnology.com

Goulds is a registered trademark of Goulds Pumps, Inc. and is used under license.
© 2016 Xylem Inc. IM184 Revision Number 6 September 2016

Ditch Wizard

Bomba de achique para empresas constructoras

INSTRUCCIONES PARA LA INSTALACIÓN, OPERACIÓN Y MANTENIMIENTO

TEMA	PÁGINA
Interpretación de los datos de la placa.....	9
Descripción del producto	9
Aplicaciones.....	9
Datos técnicos.....	9
Dimensiones	9
Instalación	10
Conexiones eléctricas	10
Reguladores de nivel.....	10
Funcionamiento.....	10
Cuidado y mantenimiento.....	11
Inspección.....	11
Ajuste y lubricación de los tornillos.....	11
Piezas de repuesto.....	11
Garantía limitada.....	13

Información del propietario

Número de modelo de la bomba: _____

Número de serie de la bomba: _____

Número de modelo del motor: _____

Número de serie del motor: _____

Comerciante: _____

Teléfono del comerciante: _____

Fecha de compra: _____

Fecha de instalación: _____

PARA EVITAR LESIONES GRAVES O FATALES Y DAÑOS MATERIALES IMPORTANTES, LEA Y SIGA TODAS LAS INSTRUCCIONES DE SEGURIDAD QUE SE INCLUYEN EN ESTE MANUAL Y EN LA BOMBA.



Éste es un **SÍMBOLO DE ALERTA DE SEGURIDAD**. Cuando vea este símbolo en la bomba o en el manual, busque una de las siguientes palabras de señal y esté alerta ante la posibilidad de lesiones personales o daños materiales.



Advierte los peligros que **CAUSARÁN** lesiones personales graves, la muerte o daños materiales importantes.



Advierte los peligros que **PUEDEN** causar lesiones personales graves, la muerte o daños materiales importantes.



Advierte acerca de riesgos que **PUEDEN** causar lesiones personales o daños materiales.

AVISO: INDICA QUE EXISTEN INSTRUCCIONES ESPECIALES QUE SE DEBEN SEGUIR YA QUE SON MUY IMPORTANTES.

ESTE MANUAL PRETENDE AYUDAR EN LA INSTALACIÓN Y FUNCIONAMIENTO DE ESTA UNIDAD. EXAMINE MINUCIOSAMENTE TODAS LAS INSTRUCCIONES Y ADVERTENCIAS ANTES DE REALIZAR ALGÚN TRABAJO EN ESTA BOMBA.

MANTENGA TODAS LAS CALCOMANÍAS DE SEGURIDAD.

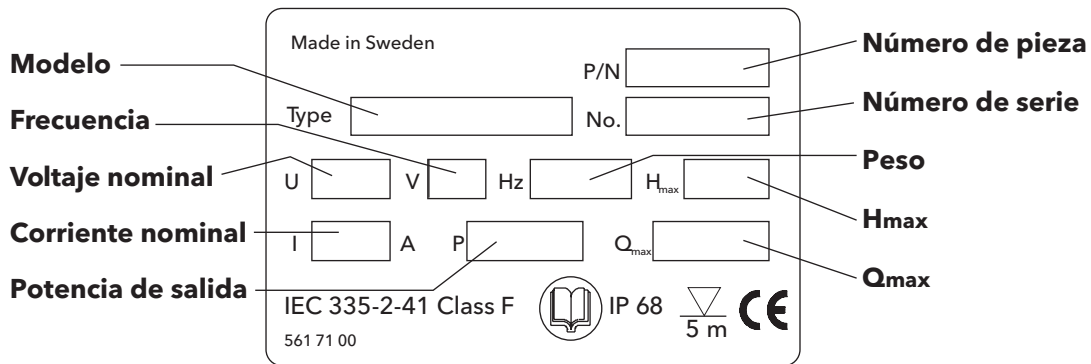


- Instale, conecte a tierra y cablee de acuerdo a los requisitos del Código Nacional Eléctrico.
- Instale un interruptor de desconexión de todos los circuitos cerca de la bomba.
- Desconecte y bloquee la energía eléctrica antes de instalar o realizar servicios a la bomba.

El suministro eléctrico debe concordar con las especificaciones de la placa de identificación del motor. El voltaje incorrecto puede provocar incendio, dañar el motor y anular la garantía.

Los motores monofásicos de la bomba se encuentran equipados con un protector térmico automático, el cual abre el circuito eléctrico del motor cuando existe una sobrecarga. Este puede provocar que la bomba arranque de manera inesperada.

Interpretación de la placa de datos



Nota: Los índices de HP de la placa de identificación en estas bombas de achique han sido convertidos de la designación europea común de Kw. Esto crea una pequeña diferencia entre el índice de HP utilizado en nuestro material de literatura en oposición al HP que figura en la placa de identificación de la bomba. Además, cuando utilice este manual tenga presente:

Modelo de ½ HP = un índice de 0,6 en la placa de identificación

Modelo de 1 HP = un índice de 1,1 en la placa de identificación

Descripción del producto

APLICACIONES

Las bombas de achique están diseñadas para bombear agua que pueda contener partículas abrasivas. El líquido bombeado puede contener partículas hasta del tamaño correspondiente a las aberturas en los filtros.

DATOS TÉCNICOS

Temperatura del líquido: 41 – 95 °F (5-35 °C)

pH del líquido bombeado: 3-8

Profundidad de inmersión: 16,5 pies (5 m) máx.

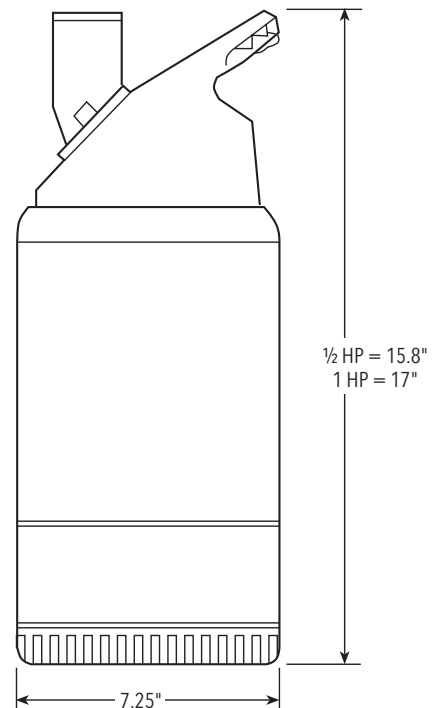
Conexión de descarga:

manguera de 2" (50 mm), 2"-11,5 NPSM o 2" NPT

Tipo de aceite:

Mobil Whiterex o Shell Ondina, etc. con clase de viscosidad ISO VG 15 a 32. 0,17 litros.

Dimensiones



ADVERTENCIA La bomba no debe utilizarse en entornos inflamables o donde puedan producirse explosiones ni para bombear líquidos inflamables.

Instalación

Coloque los cables de manera que no presenten acodamientos filosos o que queden apretados.

Conecte el cable del motor a un suministro eléctrico con conexión a tierra. Vea “Conexiones eléctricas”.

Conecte una manguera de descarga a la conexión de descarga roscada.

Baje la bomba en el estanque por su manija. No baje con la cuerda.

Coloque la bomba sobre una base que evitará que la bomba se hunda en el fondo blando del sumidero. Alternativamente, la bomba puede estar suspendida de la manija apenas por encima del fondo del sumidero.

AVISO: DONDE LAS AUTORIDADES LOCALES ASÍ LO EXIJAN, DEBERÁ SUMINISTRAR SE UN CONMUTADOR DE CIRCUITO DE MOTOR U OTRO DISPOSITIVO DE DESCONEXIÓN AL MOMENTO DE LA INSTALACIÓN.

AVISO: EN CIERTAS INSTALACIONES Y PUNTOS DE FUNCIONAMIENTO, LA CURVA DE NIVEL DE RUIDO DE LA BOMBA PUEDE EXCEDER LOS 70 DB.

Conexiones eléctricas

ADVERTENCIA Todos los equipos eléctricos deben estar conectados a tierra. Esto se aplica tanto al equipo de la bomba como a los equipos de control. La omisión de esta advertencia puede causar en accidente mortal. Asegúrese de que el cable a tierra se encuentre conectado correctamente realizando una prueba.

Todos los trabajos eléctricos deben realizarse bajo la supervisión de un electricista autorizado.

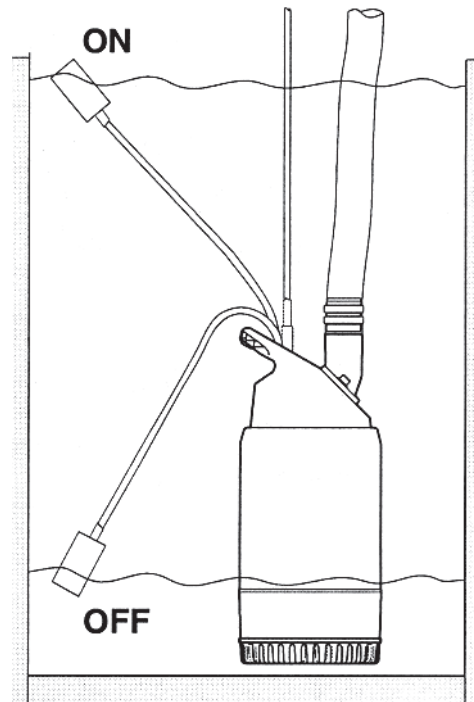
Deben cumplirse los códigos y ordenanzas locales.

Controle que el voltaje principal y la frecuencia cumplan con las especificaciones que figuran en la placa de datos de la bomba.

Asegúrese de que la bomba se encuentre conectada a tierra de manera correcta.

ADVERTENCIA Si las personas estarán en contacto físico con la bomba o con el medio bombeado (líquido), es decir, en sitios de construcción o granjas, etc., el tomacorriente de la conexión a tierra debe tener conectado un dispositivo de protección de fuga a tierra adicional (GFI). Cuando se bombee cerca de un lago (espigones, playas, estanques o manantiales, etc.) corresponde que haya una distancia de seguridad de 65 pies (20 metros) entre las personas y la bomba. Nunca debe colocarse la bomba directamente dentro de una piscina a menos que se encuentre cerrada por tareas de mantenimiento. Si se utiliza la bomba en conexiones con piscinas, se aplican ordenanzas de seguridad especiales.

REGULADORES DE NIVEL



Control de la bomba mediante el uso de interruptor de nivel.

Funcionamiento

ANTES DEL ARRANQUE

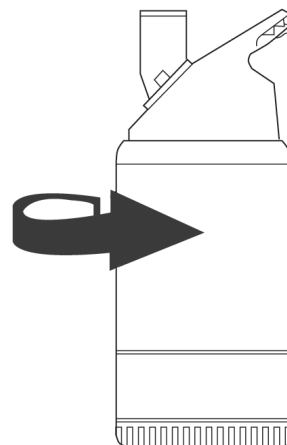
Controle el nivel de aceite en el depósito de aceite.

Extraiga los fusibles o abra el disyuntor y controle que pueda rotar el impulsor con la mano.

Controle que el equipo de control (si existiera) funcione.

Controle la dirección de rotación. El impulsor debe rotar en sentido horario, visto desde arriba. Cuando arranca, la bomba experimenta un tirón en la dirección opuesta a la dirección que rota el impulsor. Vea la figura.

TIRÓN DE ARRANQUE



LIMPIEZA

Si la bomba ha estado funcionando en aguas muy sucias, permita que funcione por un momento con agua limpia o púrguela a través de la conexión de descarga. Si hubiera quedado arcilla, cemento u otra suciedad similar en la bomba es posible que se atasque el impulsor y el sello, impidiendo que la bomba funcione.

Durante un período largo del almacenaje, se debe probar la bomba cada dos meses para evitar que los sellos mecánicos se peguen entre sí.

ADVERTENCIA Ponga atención en las sacudidas de arranque ya que pueden ser fuertes.

ADVERTENCIA Siempre levante la bomba por el asa de transporte o argollas de izada, nunca por el cable del motor o la manguera.

Cuidado y Mantenimiento

INSPECCIÓN

Inspeccionar y realizar tareas de mantenimiento regularmente aseguran un funcionamiento más confiable. Se deberá inspeccionar la bomba al menos dos veces al año y con más frecuencia si las condiciones de funcionamiento son muy estrictas.

AJUSTE DE LOS TORNILLOS

Recomendamos ajustar los tornillos a aproximadamente 4,5 – 6 pies/lb (6-8 Nm) durante el montaje o servicio de la bomba.

Esta torsión de ajuste asegura que las piezas estén correctamente sujetas y que la bomba funcione de la manera deseada.

AVISO: Asegúrese de que el tapón roscado del depósito de aceite no apretado demasiado.

ADVERTENCIA Asegúrese de desconectar el suministro eléctrico antes de realizar la inspección ya que la bomba puede arrancar automáticamente.

LUBRICACIÓN DE LOS TORNILLOS

Para conservar la hermeticidad de los tornillos, utilice un poco de aceite mineral en todos los tornillos no-oxidables (non-utilizar lubricantes sintéticos).

AVISO: Cuando utilice tornillos de acero inoxidable en piezas de acero inoxidable, recomendamos el uso de lubricantes ARAL DEGOL GS 460 o National Chemseal THREAD-EZE para evitar que los tornillos se agarroten o se atasquen.

ADVERTENCIA Si el cable del motor de esta bomba se daña, solamente podrá repararlo un comercio de reparaciones autorizado por el fabricante. Esto es necesario ya que se requieren herramientas especiales para cambiar el cable

Piezas de repuesto

KITS DE REPUESTO

Las piezas de repuesto para las bombas de achique se encuentran disponibles en kits para facilitar el servicio y la reparación. Cada equipo contiene una hoja de instrucciones junto con las piezas de recambio.

Tipo de kit	½ HP, 60 Hz Equipo N°	1 HP, 60 Hz Equipo N°
Kit del impulsor	15K11	15K12
Kit del difusor	15K13	15K13
Kit del sello externo	15K14	15K14

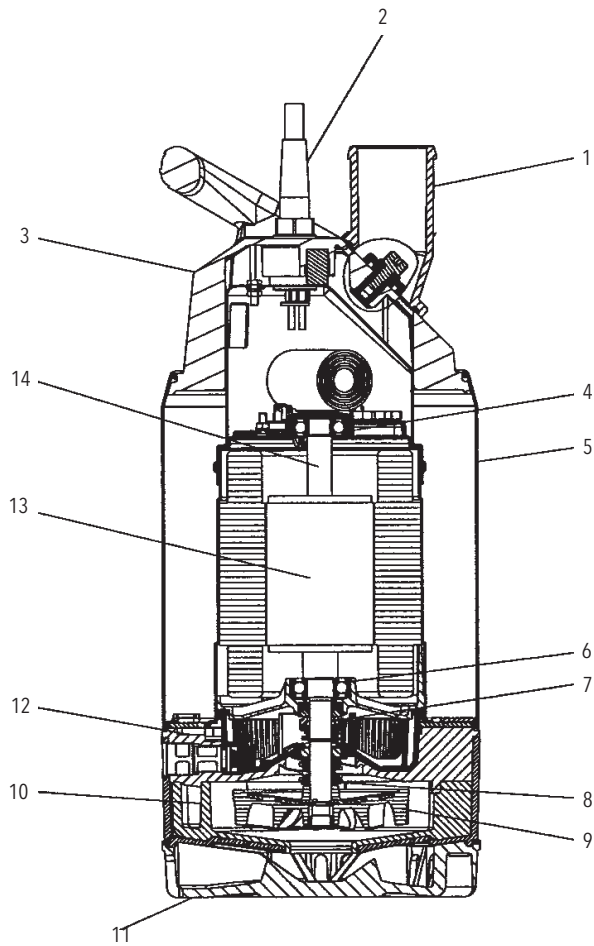
Cada kit contiene las siguientes piezas:

Kit del impulsor	Impulsor, tornillo del impulsor, tapón de protección, arandela, instrucciones de montaje
Kit del difusor	Difusor, tuercas cilíndricas, tornillos, arandelas, instrucciones de montaje
Kit del sello externo	Unidad mecánica del sello externo, instrucciones de montaje

Comuníquese con su distribuidor local para conocer más detalles con respecto a las piezas de repuesto, etc.

COMPONENTES

Artículo	Denominación
1	Conexión de descarga
2	Entrada del cable
3	Asa / cubierta
4	Cojinete de soporte
5	Carcasa de la bomba
6	Cojinete principal
7	Sello mecánico interno
8	Sello mecánico externo
9	Impulsor
10	Difusor
11	Filtro
12	Tapón del depósito de aceite
13	Motor



GARANTÍA LIMITADA DEL CONSUMIDOR

Para mercadería vendida para fines personales, familiares o de vivienda, el Vendedor garantiza que la mercadería vendida conforme al presente (a excepción de membranas, sellos, juntas, materiales de elastómero, recubrimientos y otras "piezas de desgaste" o consumibles, que no están bajo garantía salvo que se especifique lo contrario en el presupuesto o formulario de ventas) estarán libres de defectos en los materiales o mano de obra durante un (1) año a partir de la fecha de instalación o dieciocho (18) meses desde el código de fecha del producto, de los anteriores el que ocurra primero, salvo la ley o la documentación del producto (la "Garantía") especifiquen un período mayor.

Salvo que la ley establezca lo contrario, el Vendedor debe, según su opción y sin costo para el Comprador, reparar o reemplazar cualquier producto que no cumpla con la Garantía; siempre y cuando el Comprador le avise por escrito al Vendedor de cualquier defecto en el material o mano de obra en un plazo de diez (10) días desde la fecha de la primera manifestación del defecto o incumplimiento. Bajo la opción de reparación o reemplazo, el Vendedor no estará obligado a remover o pagar por la remoción del producto defectuoso, o instalar o pagar por la instalación del producto reemplazado o reparado y el Comprador será responsable de todos los demás costos, que incluyen, entre otros, costos de servicio, tarifas de envío y gastos. El método o el medio de reparación o reemplazo será a total discreción del Vendedor. Si el Comprador no cumple con las instrucciones de reparación o reemplazo del Vendedor, esto rescindirá las obligaciones del Vendedor conforme a la presente Garantía y anulará la misma. Cualquier parte reparada o reemplazada bajo la Garantía está bajo garantía solo por el saldo del período de garantía sobre las partes reparadas y reemplazadas. La Garantía está condicionada a que el Comprador le avise por escrito al Vendedor de cualquier defecto en el material o la mano de obra de la mercadería bajo garantía en un plazo de diez (10) días desde la fecha de la primera manifestación del defecto.

El Vendedor no tendrá obligaciones de garantía hacia el Comprador respecto de cualquier producto o partes de un producto que: (a) hayan sido reparados por terceros que no sean el Vendedor o sin la aprobación escrita del Vendedor; (b) hayan estado sujetos a usos indebidos, aplicaciones indebidas, negligencia, alteraciones, accidentes o daños físicos; (c) hayan sido usados de una manera contraria a las instrucciones del Vendedor para la instalación, operación y mantenimiento; (d) hayan sido dañados por desgaste, corrosión o ataque químico habituales; (e) hayan sido dañados por condiciones anormales, vibración, falta de cebado correcto u operación sin flujo; (f) hayan sido dañados por suministro eléctrico defectuoso o protección eléctrica indebida; o (g) hayan sido dañados por el uso de equipos accesorios no vendidos ni aprobados por el Vendedor. En el caso de productos no fabricados por el Vendedor, no habrá Garantía del Vendedor; sin embargo, el Vendedor transferirá al Comprador toda Garantía recibida del proveedor del Vendedor para dichos productos.

Política de Goulds Water Technology sobre ventas en línea a clientes. Los propietarios que utilizan Internet para encontrar información sobre sistemas de agua residenciales, sistemas residenciales de aguas residuales, controles y tanques, pueden descubrir varios sitios que ofrecen oportunidades de compra directa al consumidor. Los sistemas de agua y de aguas residuales residenciales son aplicaciones críticas y su diseño es tal que deben ser instalados por profesionales calificados. Goulds Water Technology posee una extensa red nacional de vendedores y distribuidores, que incluye revendedores autorizados. Para ver una lista completa de vendedores, revendedores y distribuidores autorizados por Goulds Water Technology, consulte nuestro localizador en: <http://goulds.com/sales-service/>

No se ofrece ninguna garantía sobre el equipo de Goulds Water Technology adquirido por medio de Internet y esto incluye las opciones basadas en la red a través de distribuidores minoristas no autorizados. Esta política es necesaria para garantizar que el equipo de Goulds Water Technology se instale de manera adecuada, en cumplimiento con las leyes, reglas y códigos aplicables, de manera que se aborden las preocupaciones de seguridad y el rendimiento apropiado del equipo de Goulds Water Technology.

LA GARANTÍA ANTERIOR SE FORMULA EN LUGAR DE TODA OTRA GARANTÍA EXPRESA. TODAS LAS GARANTÍAS IMPLÍCITAS, INCLUYENDO, ENTRE OTRAS, LAS GARANTÍAS IMPLÍCITAS DE COMERCIABILIDAD Y APTITUD PARA UN FIN EN PARTICULAR, SE LIMITAN A UN (1) AÑO A PARTIR DE LA FECHA DE INSTALACIÓN O DIECIOCHO (18) MESES DESDE EL CÓDIGO DE FECHA DEL PRODUCTO, DE LOS ANTERIORES EL QUE OCURRA PRIMERO. EXCEPTO SEGÚN LO DISPUESTO POR LA LEY EN SENTIDO CONTRARIO, EL RECURSO EXCLUSIVO DEL COMPRADOR Y LA RESPONSABILIDAD TOTAL DEL VENDEDOR POR INCUMPLIMIENTO DE CUALQUIERA DE LAS ANTERIORES GARANTÍAS SE LIMITAN A REPARAR O REEMPLAZAR EL PRODUCTO Y EN TODOS LOS CASOS SE LIMITARÁN AL MONTO PAGADO POR EL COMPRADOR POR EL PRODUCTO DEFECTUOSO. EN NINGÚN CASO EL VENDEDOR SERÁ RESPONSABLE DE CUALQUIER OTRO TIPO DE DAÑOS Y PERJUICIOS, YA SEAN DIRECTOS, INDIRECTOS, LIQUIDADOS, INCIDENTALES, CONSECUENTES, PUNITIVOS, EJEMPLARES O ESPECIALES, LOS QUE INCLUYEN, A TÍTULO ENUNCIATIVO Y NO LIMITATIVO, LUCRO CESANTE, PÉRDIDA DE AHORROS O INGRESOS ANTICIPADOS, PÉRDIDA DE INGRESOS, PÉRDIDA DE NEGOCIOS, PÉRDIDA DE PRODUCCIÓN, PÉRDIDA DE OPORTUNIDADES O PÉRDIDA DE REPUTACIÓN.

Algunos estados no permiten limitaciones sobre la extensión de una garantía implícita, por lo que las limitaciones anteriores pueden no corresponder para usted. Algunos estados no permiten la exclusión o limitación de daños y perjuicios incidentales o consecuentes, por lo que las exclusiones anteriores pueden no corresponder para usted. La presente garantía le otorga derechos legales específicos, y usted también puede tener otros derechos que pueden variar dependiendo del estado.

Para realizar un reclamo de garantía, primero verifique con el representante a quien le compró el producto o visite xxx.xyleminc.com para buscar el nombre y ubicación del representante más cercano que ofrezca servicio de garantía.



Xylem Inc.
2881 East Bayard Street Ext., Suite A
Seneca Falls, NY 13148
Teléfono: (866) 325-4210
Fax: (888) 322-5877
www.gouldswatertechnology.com

Goulds es una marca registrada de Goulds Pumps, Inc. y se utiliza bajo licencia.
© 2016 Xylem Inc. IM184 Revisión Número 6 Septiembre 2016

Ditch Wizard

Pompe de chantier

DIRECTIVES D'INSTALLATION, D'UTILISATION ET D'ENTRETIEN

Table des matières

SUJET	PAGE
Consignes de sécurité	15
Informations sur la plaque signalétique	16
Description du produit	16
Applications	16
Données techniques générales	16
Dimensions	19
Installation	17
Raccordement électrique	17
Régulateur de niveau	17
Utilisation	17
Entretien	18
Inspection	18
Serrage des vis	18
Lubrification des vis	18
Pièces de rechange	18
Garantie limitée	20

Informations pour le propriétaire

N° de modèle de la pompe : _____

N° de série de la pompe : _____

N° de modèle du moteur : _____

N° de série du moteur : _____

Détaillant : _____

N° de téléphone du détaillant : _____

Date d'achat : _____

Date d'installation : _____

Consignes de sécurité

AFIN DE PRÉVENIR LES BLESSURES GRAVES OU MORTELLES ET LES DOMMAGES MATÉRIELS IMPORTANTS, LIRE ET SUIVRE TOUTES LES CONSIGNES DE SÉCURITÉ FIGURANT DANS LE MANUEL ET SUR LA POMPE.



Le symbole ci-contre est un **SYMBOLE DE SÉCURITÉ** employé pour signaler les mots-indicateurs dont on trouvera la description ci-dessous. Sa présence sert à attirer l'attention afin d'éviter les blessures et les dommages matériels.



Prévient des risques qui **VONT** causer des blessures graves, la mort ou des dommages matériels importants.



Prévient des risques qui **PEUVENT** causer des blessures graves, la mort ou des dommages matériels importants.



Prévient des risques qui **PEUVENT** causer des blessures ou des dommages matériels.

AVIS : SERT À ÉNONCER LES DIRECTIVES SPÉCIALES DE GRANDE IMPORTANCE QUE L'ON DOIT SUIVRE.

LE PRÉSENT MANUEL A POUR BUT DE FACILITER L'INSTALLATION ET L'UTILISATION DE LA POMPE. LIRE SOIGNEUSEMENT CHAQUE DIRECTIVE ET AVERTISSEMENT AVANT D'EFFECTUER TOUT TRAVAIL SUR LA POMPE.

N'ENLEVER AUCUN AUTOCOLLANT DE SÉCURITÉ.



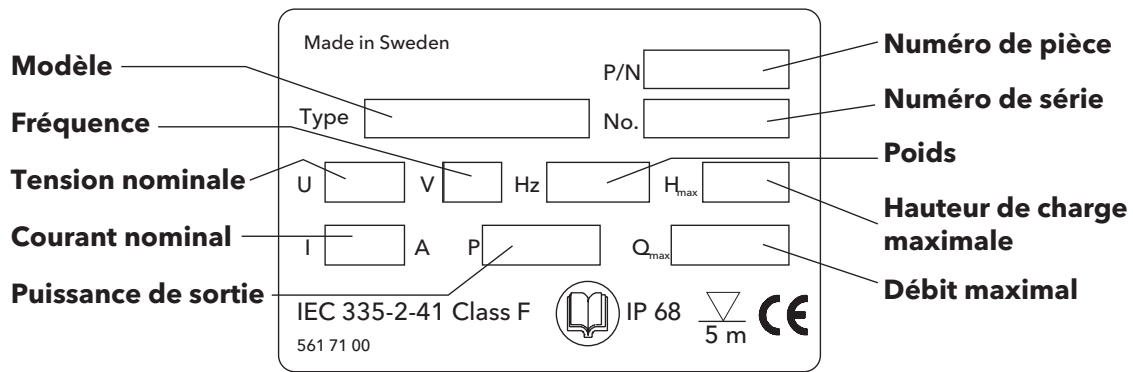
⚠ Installer la pompe, la mettre à la terre et la brancher suivant les prescriptions du code provincial ou national de l'électricité pertinent et les règlements locaux.

⚠ Poser un sectionneur tout conducteur près de la pompe.

⚠ Verrouiller la source de courant en position hors circuit avant de procéder à l'installation ou à l'entretien de la pompe.

⚠ L'alimentation électrique **DOIT** être conforme aux spécifications de la plaque signalétique de la pompe. Une tension inappropriée peut causer un incendie ou des dommages au moteur et annule la garantie.

⚠ Le protecteur thermique des moteurs de pompe monophasés coupe le courant lorsqu'il y a surcharge et le rétablit automatiquement, redémarrant ainsi la pompe inopinément.



Nota : La puissance nominale en hp affichée sur la plaque signalétique des pompes de chantier (d'assèchement) en question a été convertie à partir de la puissance en kW communément employée en Europe, d'où l'existence d'une légère différence entre la puissance en hp figurant dans la documentation Goulds Water Technology et celle de la plaque. On utilisera donc le présent manuel en tenant compte des puissances comme qui suit:

$\frac{1}{2}$ hp = 0,6 x la puissance nominale figurant sur la plaque;

1 hp = 1,1 x la puissance nominale inscrite sur la plaque.

Description du produit

APPLICATIONS

Les pompes de chantier (d'assèchement) sont conçues pour pomper de l'eau pouvant contenir des particules abrasives, mais dont la grosseur ne doit pas dépasser celle des trous de la crépine des pompes.

DONNÉES TECHNIQUES GÉNÉRALES

Température du liquide pompé: 5 à 35°C (41 à 95°F)

pH du liquide pompé: 3 à 8

Profondeur d'immersion max.: 5 m (16,5 pi)

Raccords de refoulement:

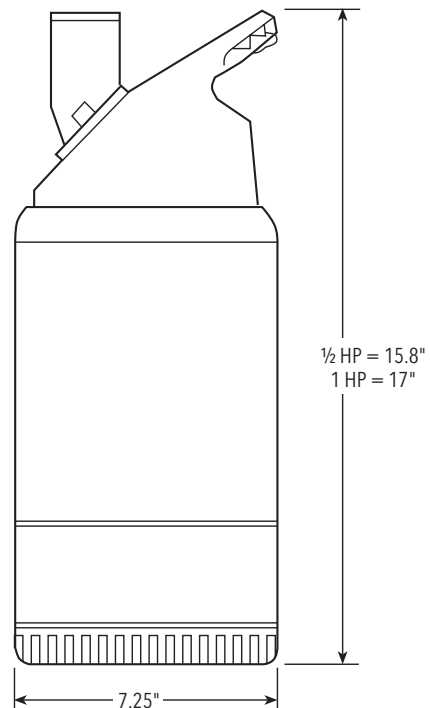
50 mm (2 po) pour tuyau souple; 2 po — 11.5, NPSM; ou 2 po, NPT

Quantité et type d'huile:

0,17 litre d'huile Mobil Whiterex, Shell Ondina, etc., de viscosités ISO VG 15 à 32

AVERTISSEMENT La pompe ne peut être utilisée en milieu inflammable ou déflagrant ni pour les liquides inflammables.

Dimensions



Installation

Passer les câbles de façon à ce qu'ils ne soient ni pliés ni pincés.

Connecter le câble de moteur à une source d'alimentation mise à la terre (v. «Raccordement électrique»).

Fixer un tuyau souple au raccord de refoulement fileté de la pompe.

Abaissez la pompe dans le carter de vidange par son traitement. N'abaissez pas avec la corde.

Si le fond du puisard est vaseux, placer la pompe sur une base pour ne pas qu'elle s'enfonce, ou bien la suspendre par sa poignée juste au-dessus du fond du puisard.

AVIS: LES RÈGLEMENTS LOCAUX PEUVENT EXIGER QUE L'ON POSE UN INTERRUPTEUR OU UN AUTRE APPAREIL DE SECTIONNEMENT ACCEPTABLES SUR LE CIRCUIT D'ALIMENTATION DU MOTEUR DE LA POMPE AU COURS DE L'INSTALLATION DE CETTE DERNIÈRE.

AVIS: DANS CERTAINES INSTALLATIONS ET À CERTAINS POINTS DE LA COURBE DE PERFORMANCES DE LA POMPE, LE BRUIT DE FONCTIONNEMENT PEUT DÉPASSER 70 dB.

Raccordement électrique

⚠ AVERTISSEMENT Tout le matériel électrique doit être mis à la terre, qu'il s'agisse de la pompe ou du matériel de contrôle. L'inobservation du présent avertissement peut entraîner un accident mortel. Faire un essai de conductivité sur le fil de terre pour s'assurer qu'il est bien connecté.

L'installation de tout le matériel électrique doit être supervisée par un électricien.

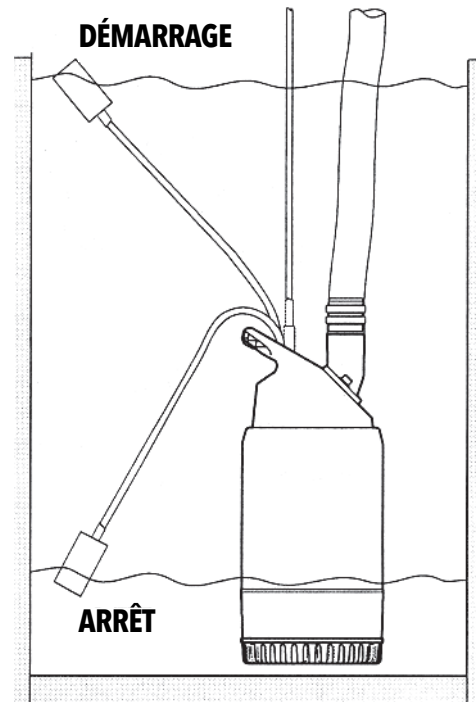
On doit se conformer au code provincial ou national de l'électricité pertinent et aux règlements locaux.

S'assurer que la tension et la fréquence du courant d'alimentation secteur conviennent à celles qui sont stipulées sur la plaque signalétique de la pompe.

Voir à ce que la pompe soit mise à la terre correctement.

⚠ AVERTISSEMENT S'il y a risque de contact avec la pompe ou le liquide pompé, comme cela peut être le cas sur le chantier, la ferme, etc., on doit installer sur la prise de courant, mise à la terre, une protection contre les défauts à la terre. Quand la pompe est située près d'un lac, d'un embarcadère, d'une plage, d'un bassin, d'une fontaine, etc., il faut maintenir une distance de sécurité minimale de 20 m (65 pi) entre la pompe et les gens. On ne doit jamais placer la pompe dans une piscine, sauf si la piscine est hors d'usage pour entretien. Des règlements de sécurité spéciaux s'appliquent quant à l'emploi de la pompe pour les piscines.

RÉGULATEUR DE NIVEAU



La pompe est commandée par un contacteur de niveau.

Utilisation

PRÉPARATIFS DE MISE EN SERVICE

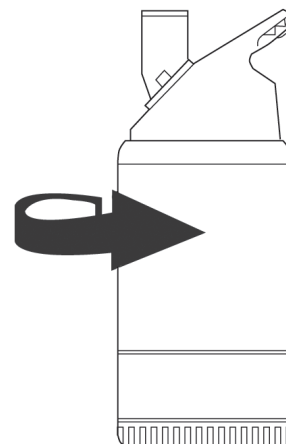
Vérifier le niveau du réservoir d'huile.

À l'aide du disjoncteur ou des fusibles, mettre la pompe hors circuit, puis vérifier si la roue de la pompe peut tourner à la main.

S'assurer que le matériel de contrôle fonctionne s'il est installé.

Vérifier le sens de rotation de la pompe. Vue du haut de la pompe, la roue doit tourner en sens horaire. En pareil cas, la pompe donnera une secousse en sens contraire (anti-horaire) en démarrant (voir la figure ci-dessous).


SECOUSSE DE DÉMARRAGE




NETTOYAGE

Si la pompe a servi à pomper de l'eau très sale, la faire fonctionner pendant un certain temps dans de l'eau propre ou la rincer par l'orifice de refoulement. L'argile, le ciment et toute autre saleté laissés dans la pompe formeront un dépôt, qui bloquera éventuellement la roue et les garnitures mécaniques et empêchera la pompe de fonctionner.

Pendant une longue période de mémoire, on doit procéder à un essai de fonctionnement de la pompe à tous les deux mois pour prévenir le grippage des garnitures mécaniques.

 **AVERTISSEMENT** Prendre garde à la secousse de démarrage, car elle peut être puissante.

 **AVERTISSEMENT** On doit toujours lever la pompe par la poignée ou les œilletons de levage, mais jamais par le câble de moteur ou le tuyau souple.

Entretien

INSPECTION

L'inspection régulière et l'entretien préventif se traduisent par une meilleure fiabilité de fonctionnement.


L'inspection de la pompe devrait se faire deux fois par année, voire plus souvent si les conditions de service sont difficiles.

SERRAGE DES VIS

Au cours de l'assemblage ou de l'entretien de la pompe, il est recommandé de serrer les vis entre 6 et 8 N·m (4,5 et 6 lbf·pi).

Le couple de serrage recommandé permet de fixer les pièces correctement et de faire fonctionner la pompe tel que prévu.


AVIS: S'assurer que le bouchon du réservoir d'huile n'est pas vissé trop fort.

 **AVERTISSEMENT** Veiller à couper le courant avant d'inspecter la pompe, sinon elle pourrait démarrer inopinément.

LUBRIFICATION DES VIS

Pour maintenir les vis non en inox bien serrées, les enduire d'un peu d'huile minérale, mais pas de lubrifiant synthétique!

AVIS: Quand on utilise des vis en inox pour des pièces en inox, il est suggéré d'employer des lubrifiants tels que le GS 460 (ARAL DEGOL) ou le THREAD-EZE (National Chemseal) pour prévenir le grippage des vis.

 **AVERTISSEMENT** Si le câble du moteur de pompe est endommagé, il ne pourra être changé que dans un atelier de réparation agréé par le fabricant, car cela requiert des outils spéciaux.

Pièces de rechange

ENSEMBLES DE PIÈCES DE RECHANGE

Les pièces de rechange des pompes de chantier sont offertes dans des ensembles pratiques pour faciliter les travaux d'entretien et de réparation. Chaque ensemble est accompagné de directives d'assemblage.

Ensemble	½ hp, 60 Hz	1 hp, 60 Hz
	N° d'ensemble	N° d'ensemble
Roue	15K11	15K12
Diffuseur	15K13	15K13
Garniture méc. ext.	15K14	15K14

Les ensembles contiennent les pièces suivantes :

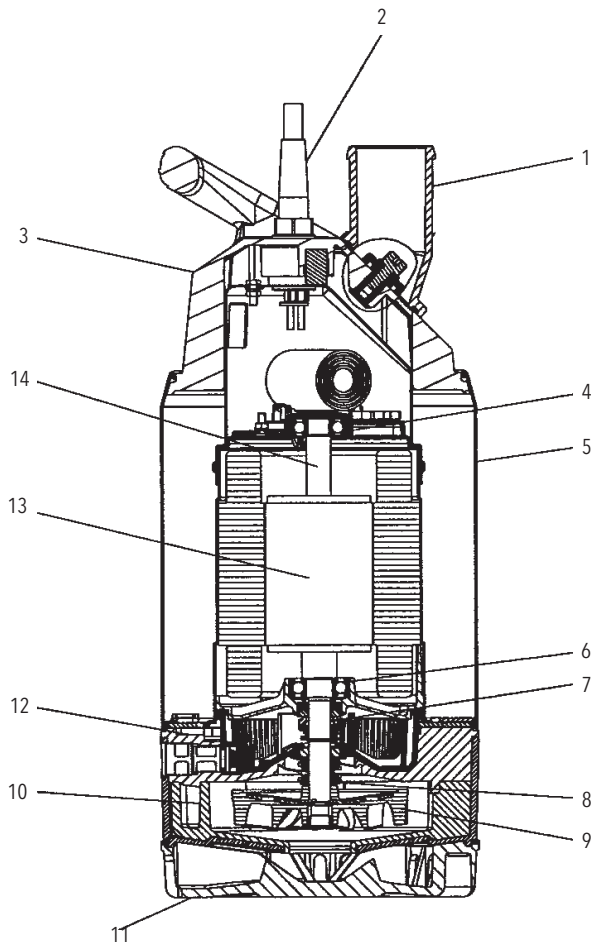
Roue	Roue, vis de roue, bouchon protecteur, rondelle, directives d'assemblage
Diffuseur	Diffuseur, écrous à portée cylindrique, vis, rondelles, directives d'assemblage
Garniture méc. ext.	Éléments de garniture mécanique, directives d'assemblage

S'adresser au distributeur pour avoir plus de détails, y compris sur les pièces de rechange.

PRINCIPAUX COMPOSANTS

Article Nom

- 1 Raccord de refoulement
- 2 Câble de moteur
- 3 Couvercle à poignée
- 4 Palier d'appui
- 5 Corps de pompe
- 6 Palier principal
- 7 Garniture mécanique interne
- 8 Garniture mécanique externe
- 9 Roue
- 10 Diffuseur
- 11 Crépine
- 12 Bouchon du réservoir d'huile
- 13 Moteur



GARANTIE LIMITÉE DU CONSOMMATEUR

Pour les biens vendus à des fins personnelles, familiales ou domestiques, le Vendeur garantit que les biens achetés ci-après (avec l'exception des membranes, joints, joints d'étanchéité, matériaux élastomères, revêtements et autres « pièces d'usure » ou consommables qui ne sont pas garantis sauf si autrement indiqué dans la proposition ou le formulaire de ventes) seront exempts de tout défaut de matériaux ou de fabrication pour une période de un (1) an à partir de la date d'installation ou 18 (18) mois à partir du code de date du produit, selon la première éventualité, à moins qu'une période plus longue soit prévue par la loi ou spécifiée dans la documentation du produit (la « Garantie »).

Sauf mention contraire dans la loi, le Vendeur devra, à sa discrétion et sans frais pour l'Acheteur, soit réparer soit remplacer tout produit qui ne se conforme pas avec la Garantie en autant que l'Acheteur donne un avis écrit au Vendeur de tous défauts de matériaux ou de fabrication en dedans de dix (10) jours de la date lorsque tous défauts ou non conformité se manifeste. Que ce soit pour une réparation ou un remplacement, le Vendeur ne sera pas obligé d'enlever ou de payer pour le retrait du produit défectueux ou d'installer ou de payer pour l'installation du produit remplacé ou réparé et l'Acheteur sera responsable de tous les autres coûts, incluant mais sans s'y limiter, les coûts de service, les frais et les dépenses de transport. Le Vendeur aura une absolue discrétion en ce qui concerne la méthode ou les moyens de réparation ou de remplacement. Le non-respect de l'Acheteur de se conformer aux directives de réparation ou de remplacement du Vendeur mettra fin aux obligations du Vendeur sous cette Garantie et annulera cette Garantie. Toutes les pièces réparées ou remplacées sous la Garantie sont garanties seulement pour le restant de la période de garantie sur les pièces qui ont été réparées ou remplacées. La Garantie est conditionnelle à ce que l'Acheteur donne un avis écrit au Vendeur de tous défauts dans les matériaux ou la fabrication des biens garantis en dedans de dix (10) jours de la date lorsque tous défauts se sont manifestés.

Le Vendeur n'aura aucune obligation de garantie à l'Acheteur en ce qui a trait à tout produit ou toutes pièces qui ont été : (a) réparés par des tiers autre que le Vendeur ou sans l'approbation écrite du Vendeur; (b) sujets à une mauvaise utilisation, un usage impropre, une altération, un accident, ou dommage physique; (c) utilisés de manière contraire aux instructions du Vendeur pour l'installation, le fonctionnement ou l'entretien; (d) endommagés par l'usure ordinaire, la corrosion, ou une attaque chimique; (e) endommagés à cause de conditions anormales, de vibrations, d'un manque dans une mise en service appropriée, ou d'un fonctionnement sans débit; (f) endommagés à cause d'une alimentation électrique défectueuse ou de protection électrique inappropriée; ou (g) endommagés suite à l'utilisation d'accessoires non vendus ou approuvés par le Vendeur. Dans tous les cas de produits non fabriqués par le Vendeur, il n'y a aucune garantie de la part du Vendeur; toutefois, le Vendeur prolongera à l'Acheteur toute garantie reçue du fournisseur du Vendeur de tels produits.

Politique de Goulds Water Technology concernant les ventes en ligne aux clients. Les propriétaires de maison utilisant l'Internet pour trouver des informations concernant les systèmes d'eau résidentielle, les systèmes d'eaux usées résidentielles, les commandes et les réservoirs peuvent découvrir plusieurs sites offrant la possibilité de faire des achats directs. Les systèmes d'eau et d'eaux usées résidentielles sont des applications très importantes conçues pour être installées par des professionnels qualifiés. Goulds Water Technology dispose d'un vaste réseau national de distributeurs et de concessionnaires ainsi que de revendeurs agréés. Pour obtenir une liste complète des distributeurs reconnus ainsi que des concessionnaires et des revendeurs agréés de Goulds Water Technology, veuillez consulter notre localisateur à : <http://goulds.com/sales-service/>

Aucune garantie n'est offerte sur l'équipement Goulds Water Technologie acheté sur l'Internet, incluant les options basées sur le Web provenant de détaillants non autorisés. Cette politique est nécessaire afin d'assurer que l'équipement de Goulds Water Technology est correctement installé, conformément aux lois, règlements et codes en vigueur, de manière qui couvre les préoccupations de sécurité et la bonne performance de l'équipement de Goulds Water Technology.

LA GARANTIE QUI PRÉCÈDE EST FOURNIE À LA PLACE DE TOUTES AUTRES GARANTIES EXPRESSES. TOUTES LES GARANTIES IMPLICITES, Y COMPRIS MAIS SANS S'Y LIMITER LES GARANTIES IMPLICITES DE VALEUR MARCHANDE ET D'ADAPTABILITÉ POUR UN BUT PARTICULIER, SONT LIMITÉES À UN (1) AN DE LA DATE DE L'INSTALLATION OU DIX-HUIT (18) MOIS DU CODE DE DATE DU PRODUIT, SELON LA PREMIÈRE ÉVENTUALITÉ. SAUF LORSQU'AUTREMENT REQUIS PAR LA LOI, L'UNIQUE RECOURS DE L'ACHETEUR ET LA RESPONSABILITÉ GLOBALE DU VENDEUR POUR VIOLATION DE TOUTES GARANTIES QUI PRÉCÈDENT SONT LIMITÉS À LA RÉPARATION OU AU REMPLACEMENT DU PRODUIT ET NE SERONT EN AUCUN CAS LIMITÉS AU MONTANT PAYÉ PAR L'ACHETEUR POUR LE PRODUIT DÉFECTUEUX. DANS AUCUN CAS LE VENDEUR NE SERA RESPONSABLE DE TOUTE AUTRE FORME DE DOMMAGES, QU'ILS SOIENT DIRECTS, INDIRECTS, LIQUIDÉS, ACCESSOIRES, PUNITIFS, EXEMPLAIRES OU DOMMAGES SPÉCIAUX, INCLUANT MAIS SANS S'Y LIMITER LA PERTE DE PROFIT, LA PERTE D'ÉCONOMIES OU DE REVENUS ANTICIPÉS, LA PERTE DE REVENU, LA PERTE COMMERCIALE, LA PERTE DE PRODUCTION, LA PERTE D'OPPORTUNITÉ OU LA PERTE DE RÉPUTATION.

Certaines provinces ne permettent pas de limiter la durée des garanties implicites, par conséquent la limite ci-dessus peut ne pas s'appliquer à vous. Certaines provinces ne permettent pas l'exclusion ou la limite de dommages accessoires ou indirects, par conséquent les exclusions ci-dessus peuvent ne pas s'appliquer à vous. Cette garantie vous confère des droits juridiques spécifiques, et vous pouvez également jouir d'autres droits qui peuvent varier d'une juridiction à l'autre.

Pour faire une réclamation de garantie, vérifier d'abord avec le concessionnaire où vous avez acheté le produit ou visiter www.xylem.com pour le nom et l'emplacement du concessionnaire le plus près qui offre un service de garantie.



Xylem Inc.
2881 East Bayard Street Ext., Suite A
Seneca Falls, NY 13148
Téléphone: (866) 325-4210
Télécopie: (888) 322-5877
www.gouldswatertechnology.com

Goulds est une marque déposée de Goulds Pumps, Inc. et est utilisé sous le permis.
© 2016, Xylem Inc. IM184 Révision numéro 6 Septembre 2016