

| | | |
|--------------------|------------------------|--------------|
| JOB: | REPRESENTATIVE: | |
| UNIT TAG: | ORDER NO. | DATE: |
| ENGINEER: | SUBMITTED BY: | DATE: |
| CONTRACTOR: | APPROVED BY: | DATE: |



Lead Free^{*}, Energy Efficient Autocirc® Circulators for Standard Water Heaters



Description

Autocirc® circulators are energy efficient using permanent magnet, ECM (electronically commutated motor) technology. The Autocirc® circulators are designed specifically for standard water heaters. These circulators are lead free and are assembled with a timer, cord and plug.

Materials of Construction

Pump Body: Lead Free^{*} Brass
 O-Ring: EPDM
 Bearing: Carbon/Ceramic
 Impeller: Nylon/PPO
 Motor: High Efficiency ECM
 All Other Wetted Parts: Type 316 Stainless Steel
 Shaft-less and seal-less construction.

Operating Data

Pump
 Maximum Working Pressure: 145 psi (10 Bar)
 Maximum Working Temperature: 203°F (95°C)

Motor

Electrically commutated motor with permanent magnet spherical rotor
 115 Volts 60 HZ
 14 Watts Power Consumption
 Automatic Overload Protection
 Low in-rush current

*As defined by CA AB1953. Less than 0.25% Pb by weight on wetted parts surface areas.

Model With fixed thermostat e³-4F/BAPQC

A built-in temperature sensor automatically turns the pump ON when the water temperature in the hot water supply line cools down to 85° F (29°C). The pump then moves the cool water in the hot water supply line into the cold water supply line. Autocirc® pump turns OFF automatically when water temperature reaches 95°F (35°C), ensuring instant availability of shower warm water with maximum temperature hot water only seconds behind.

When the pump is OFF, a built-in auto closure device (non-return valve) prevents hot and cold water mixing. Hot water will also be instantly available at all other faucets/taps between the water heater and the sink under which the Autocirc® pump is installed.

Model with adjustable "ON" thermostat e³-4F/BAPRC

For models with the adjustable thermostat, there is an adjustable "ON" temperature range from 77°F to 91°F (25°C to 33°C). This built-in temperature sensor will turn the circulator OFF when it reaches 95°F (35°C) and turn the circulator on when the temperature cools down to the "ON" temperature set point.

Standard Features

Body Type

Autocirc® housing has (2)1/2" and (2)3/8" hose connections.

Motor

Designed with a shaft-less spherical motor with permanent magnet technology for improved efficiency.

Lead Free^{*}

All Autocirc® circulators are made from lead free^{*} construction.

Plug

Autocirc® circulators are assembled with a 6ft (~2m) electrical plug.

Timer

Autocirc® circulators can provide an even greater increase in energy savings when the built in 24 hour timer is used.

Weight

Light weight construction, weighs less than 4 lbs

Special Specifications

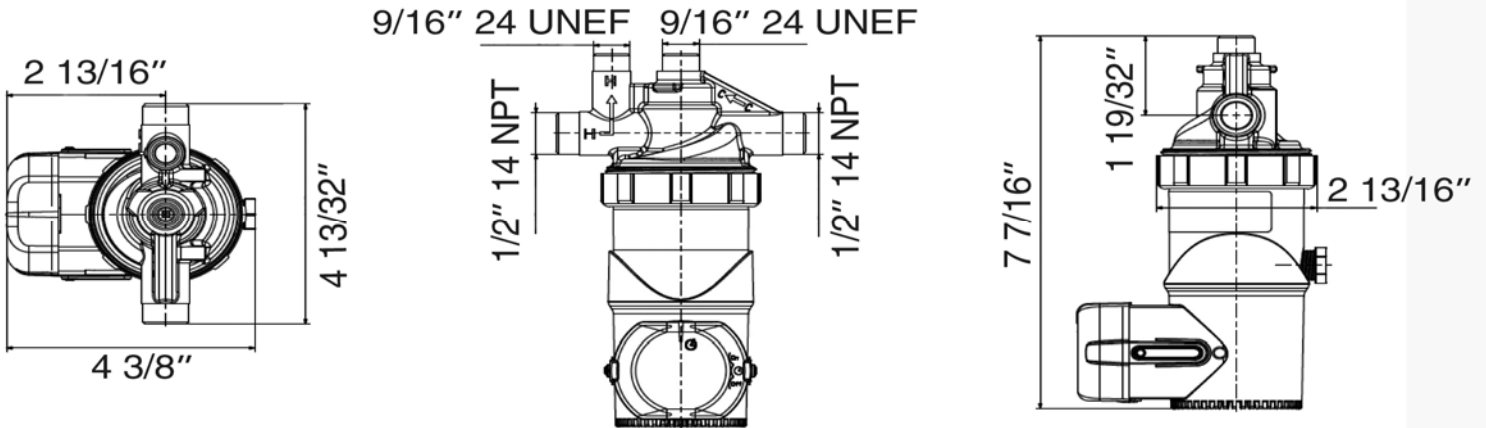
The contractor shall furnish and install in-line circulating pumps as illustrated on the plans and in accordance with the following specification:

1. The pumps shall be of the high efficiency type specifically designed for quiet operation
2. Pump to be suitable for 203°F (95°C) operation at 145 psi (10 Bar) working pressure
3. The pumps shall have a ceramic ball bearing lubricated by the system fluid.
4. Pump body shall be a lead free (less than 0.25% Pb) brass
5. Pump to have one of the following options:
 - a) Pump to have fixed thermostat.
 - b) Pump to have adjustable "ON" thermostat
6. Motor shall be spherical rotor permanent magnet electrically commutated motor (ECM).
7. Motor shall be non-overloading at any point on the pump curve and shall have built in overload protection.
8. Pumps to have a capacity of ___ GPM at ___ foot of head.
9. All pumps to be supplied by Bell & Gossett Model_____.

Available Models

| Part Number | Description | Model | Weight |
|-------------|---|--------------------------|--------|
| 60A0B6001 | Lead Free Brass* Autocirc® 1/2" Fixed Thermostat with Timer | e ³ -4F/BAPQC | 4lbs. |
| 60A0B6002 | Lead Free Brass* Autocirc® 1/2" Adjustable "ON" Thermostat with Timer | e ³ -4F/BAPRC | 4lbs. |

* Less than 0.25% Pb by weight on wetted parts surface areas.



Xylem Inc.
 8200 N. Austin Avenue
 Morton Grove, IL 60053
 Tel: (847) 966-3700 Fax: (847) 965-8379
 www.xylem.com/belgossett



Bell & Gossett is a trademark of Xylem Inc. or one of its subsidiaries.
 © 2021 Xylem Inc A-147B February 2021