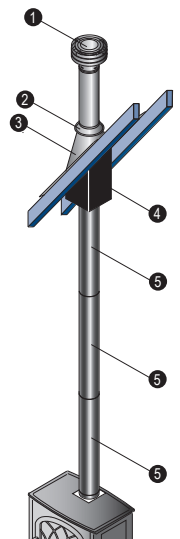


Installation

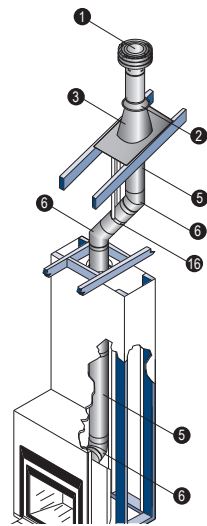
Typical Installations

How To Plan Your Installation

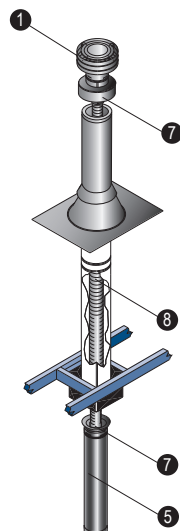
Step 1.	Choose appropriate size venting for the appliance and installation.
Step 2.	Refer to the Typical Installations for the type of installation similar to your situation. Identify the needed parts for installation.
Step 3.	The size of your VENTING should match the outlet size on your appliance. An Appliance Adapter may be required and supplied by your appliance manufacturer.
Step 4.	Determine the overall length of venting pipe needed.
Step 5.	Be sure to follow appliance instructions, concerning clearances and requirements for maximum horizontal or minimum vertical venting runs.
Step 6.	If a free-standing appliance is used, select the vent or stovepipe pieces to connect from the appliance to the liner (refer to the appropriate DuraVent catalog section). Consult appliance instructions for required distances from any Termination Caps.
Step 7.	Important! Check to be sure the installation complies with all local and national code requirements, including clearance to combustibles. Contact the local building inspector for permit requirements.



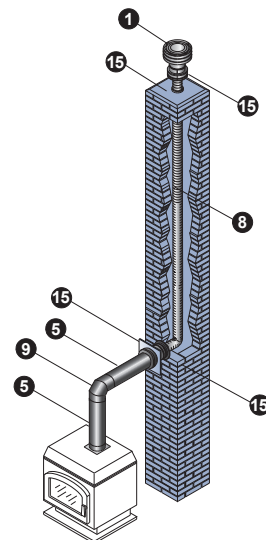
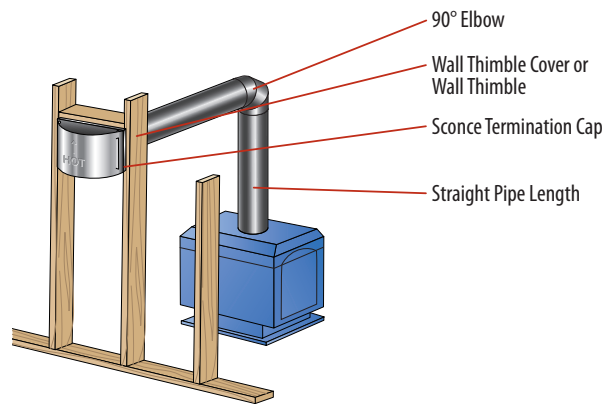
Cathedral Ceiling Stove Installation



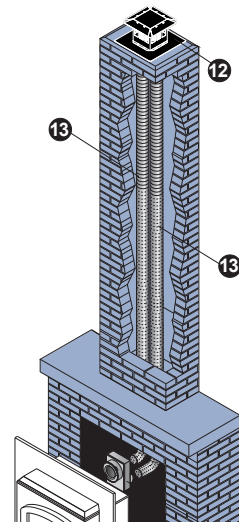
Fireplace Vertical Termination



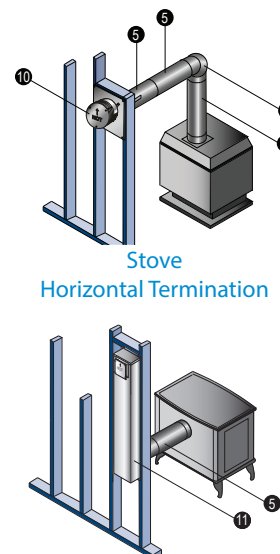
Metal Chimney Conversion



Masonry Chimney Conversion



Co-Linear Insert Installation



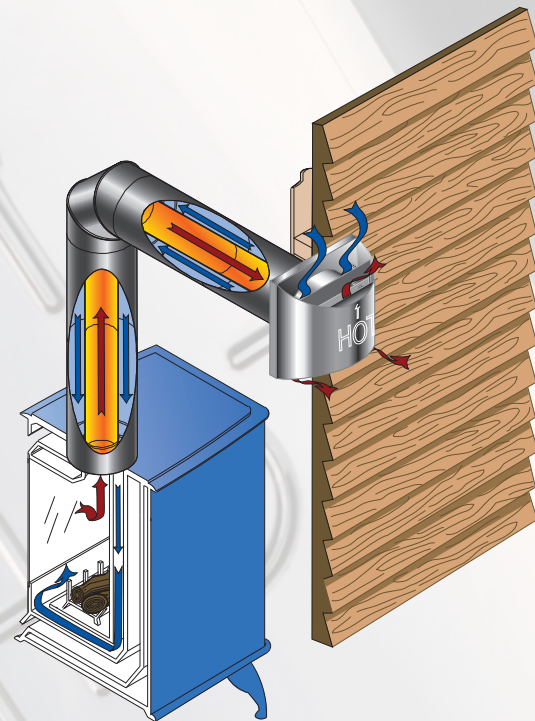
Stove with Snorkel Horizontal Termination

DirectVent Pro	
1	Vertical Termination Cap
2	Storm Collar
3	Flashing
4	Cathedral Ceiling Support Box
5	Pipe
6	45° Elbow
7	Class A Chimney Conversion Kit
8	4" Flex
9	90° Elbow
10	Horizontal Termination Cap
11	Snorkel Termination Cap
12	Colinear Kit
13	3" or 4" Flex
14	Co-Axial to Co-Linear Connector
15	Masonry Chimney Conversion Kit
16	Elbow Strap

• Refer to our Typical Venting Installation to select the appropriate component parts for your installation.
 • The inner and outer pipe diameters should match the outlet size of the appliance.
 • Check the appliance manufacturer's installation instructions to confirm which types of vent configurations are permitted (i.e. horizontal, vertical, chimney reline, etc.). Also, check for any venting restrictions such as maximum horizontal run, minimum and maximum vertical rise, maximum offset, etc.

How It Works

Direct vent appliances are 'sealed combustion systems'. That means the air for combustion is delivered to the appliance through the venting system from outside. As a result, direct vent appliances do not consume warm indoor air for combustion and are not subject to oxygen starvation, poor draft and other problems associated with 'tight' energy efficient homes. With sealed direct vent systems, all combustion byproducts are safely vented out through the venting system, eliminating fumes, water moisture, and indoor air contamination.



Contact

Professional Technical Help

DuraVent prides itself on providing the best customer service and technical support in the industry.

Our Customer Support Team is available to answer technical questions.

Monday – Friday
 5:30am – 4pm Pacific | 8:30am – 7pm Eastern

Tel: 800-835-4429
 Fax: 707-446-4740
 customerservice@duravent.com



DirectVent® Pro
 Unitized, co-axial venting
 system for direct vent
 gas or propane stoves
 and fireplaces.

DirectVent® Pro

DirectVent® Pro

Applications

DirectVent Pro is a unitized, coaxial venting system designed for use with direct vent gas or propane stoves, heaters, and fireplaces.

Materials and Construction

.020" aluminum inner wall.
.018" galvanized steel outer wall.
Painted outer walls made of laser-welded .018" galvalume steel. Caps also available in stainless steel and copper. Outer pipe brings combustion air to the appliance. Inner pipe exhausts flue gases to the outside. Gaskets or sealants not required (unless specified by the appliance manufacturer).

Clearances

Specified by the appliance manufacturer.

Diameters

4" x 6 5/8" and 5" x 8".

Listings

DirectVent Pro, in combination with the gas appliance, has been tested and listed as a decorative gas appliance system or as a direct vent heater system by a major testing agency, such as UL, CSA, or Warnock Hersey.

DirectVent Pro

Utilizing state-of-the art manufacturing, DirectVent Pro features tight inner connections for superb performance, with no gaskets or sealants required (unless specified by the appliance manufacturer). All black pipe lengths, pipe extensions, and elbows feature laser-welded outer wall seams for a sleek finish. Low-profile locks and no hems or beads allow for a beautiful product that looks elegant in any interior.

DuraVent's direct vent is specified exclusively by nearly every major stove and fireplace manufacturer in the U.S. and Canada, with the largest choice of termination caps for direct vent available.



Product List

	Horizontal Termination Kit A Kit includes: 90° black elbow, ceiling support/wall thimble cover, 24" black pipe, 8 1/2" black pipe extension. Termination cap not included. 4" x 6 5/8" Direct Vent.
	Horizontal Termination Kit C Kit includes: 90° black elbow, wall thimble, wall thimble cover, 24" black pipe, 8 1/2" black pipe extension. Termination cap not included. 4" x 6 5/8" Direct Vent.
	Masonry Chimney Conversion Kit Kit 46DVA-KMC includes: Cap Adapter, 18" x 18" Flashing, Round Ceiling Support/Wall Thimble Cover, Retro Connector. For 4" x 6 5/8" direct vent. Termination Cap and 4" flex are sold separately. Kit 46DVA-KCT includes: Cap Adapter and an 18" x 18" Flashing. Use with 4" x 6 5/8" direct vent gas stoves.
	Chimney Conversion Kit Kit includes: Cap Adapter & Retro Connector. For 4" x 6 5/8" direct vent. Use with metal chimneys. 4 inch flex sold separately.
	Pipe Painted black or galvanized. 4" x 6 5/8" & 5" x 8" sizes. 6", 9", 12", 18", 24", 36", 48" & 60" lengths.
	Pipe Extension One-piece Pipe Extension, in 8 1/2" and 16" lengths, slides over pipe for precise length needed. Painted black or galvanized. 4" x 6 5/8" & 5" x 8" sizes.
	Adjustable Pipe Use to add length to a straight length of DirectVent Pro. 2 piece telescopic.
	30°/45°/60°/90° Elbows Painted black or galvanized. All elbows swivel. Fixed angle. 4" x 6 5/8" and 5" x 8".
	Elbow Strap Use for supporting vent pipe between offsets.
	Ceiling Support/ Wall Thimble Cover Decorative cover painted black. Also used as a flat ceiling support cover.
	Cathedral Ceiling Support Box Use to pass through ceiling and support pipe. Painted black, 14" tall. Trim included.

	Wall Thimble and Wall Thimble Reduced Provides a complete wall-pass-through and firestop.
	Universal Wall Thimble Provides a complete wall-pass-through and interior firestop. Features an adjustable sleeve for an exact fit. Eliminates visible trim on exterior or wall near cap. Works well for smaller square and sconce termination caps.
	Wall Firestop For horizontal through-the-wall installations.
	Vinyl Siding Standoff Use as a heat shield on structures with temperature sensitive siding.
	Vinyl Siding Standoff Kit and Vinyl Siding Standoff Kit - Reduced Use as a heat shield on structures with temperature sensitive siding. 4-piece design. For Sq. Horizontal Cap. Reduced version for Sconce & Round Horizontal Cap.
	Counter Flashing Kit and Counter Flashing Kit - Reduced Prevents water intrusion into stucco-sided homes. Reduced version for Sconce & Round Horizontal Cap.
	Ceiling Firestop Use for multi-story vertical installations at second floor and subsequent floors.
	Attic Insulation Shield Use for installations that pass through an attic to prevent insulation and debris from accumulating near the vent.
	Wall Strap Use to support pipe. Provides 1" clearance. Install at 4' intervals on vertical runs.
	Restrictor Disk Use when required by appliance manufacturer to restrict incoming combustion air.
	Adjustable Roof Flashing Use to weather proof the penetration of vent pipe through the roof. 0/12"-6/12"
	Steep Roof Flashing Use to weather proof the penetration of vent pipe through a steep roof. 7/12"-12/12".

	Flat Roof Flashing Use to weather proof the penetration of vent pipe through a flat roof.
	DSA Flashings Forms to fit on metal or tile roofs. Available in adjustable and steep roof styles. Made of malleable dead soft aluminum.
	Storm Collar Use to maintain a weather tight seal between pipe and flashing.
	Round Horizontal Termination Cap Use for through-the-wall terminations. Available in aluminum only.
	Sconce Termination Cap Use for horizontal through-the-wall terminations. Aluminum, stainless steel, or copper.
	High-Wind Sconce Termination Cap Use for horizontal through-the-wall terminations. Provides improved performance in high wind conditions. Aluminum, stainless steel, or copper.
	Square Horizontal Termination Cap Use for through-the-wall terminations. Aluminum, stainless steel, or copper.
	Snorkel Termination Cap Use when a vertical rise is needed to meet minimum heights. For horizontal through the wall applications. Available in 14" and 36" heights.
	Horizontal Windguard Use with terminations in high wind conditions. For through-the-wall applications. Fits all caps and snorkels.
	High Wind Termination Cap Use in high wind conditions. For vertical applications.
	Vertical Wind Guard Use for horizontal through-the-wall terminations when a vertical rise is desired in the system to meet appliance manufacturer recommended minimum heights. Do not enclose in the wall or install below grade.

	Low Profile Termination Cap Use for vertical terminations only. Aluminum and stainless steel.
	Extended Vertical Termination Cap Use in extremely cold climates. Separates air intake vents from exhaust area.
	Chimney Liner Flex Extension Use with co-linear and flex system. 3" x 35' and 4" x 35'.
	Flex Coupling Use to join flex liner sections together. 3" and 4" flex.
	Co-Axial to Co-Linear Connector Use Co-Linear Adapter for stoves with co-axial outlets. Refer to stove mfg installation instructions for approval.
	Chimney Liner Termination Kit Kit includes: Termination Connector and Flashing. Caps & flex sold separately.
	Appliance Adapter Attaches to appliance outlet allowing pipe to easily connect or disconnect. Vermont Castings Adapter #2768.
	Monessen Adapter Allows the installer to attach DuraVent's DirectVent Pro 4 x 6 5/8" pipe to a Monessen 4 x 7 direct vent exhaust outlet.
	Reducer Use to reduce vent diameter from 5" x 8" to 4" x 6 5/8". Check with appliance manufacturer for approval.
	Co-Linear Flex Connector Use as a flex connector with inserts with 3" co-linear intake and exhaust ports.
	Co-Linear Kit w/ Flex Use when installing a direct vent co-linear insert into a masonry chimney. Kit includes: Choice of High-Wind Termination Cap or Prairie Termination Cap; and two pieces of Aluminum Flex Lengths, the exhaust marked with red colored tape.
	Horizontal Vent Kit for DV Insert Use when venting an approved appliance horizontally through the back of a suitable masonry chimney. Kit includes: Co-Linear Termination, Two 3" x 10' Aluminum Flex Lengths, and Hardware for Flex Attachment.