



# 864 GSR2

With Ember-Glo™ Lights

## Owner's Manual

40K, 40K CF



### **WARNING:**

If the information in these instructions is not followed exactly, a fire or explosion may result causing property damage, personal injury, or loss of life.

- Do not store or use gasoline or other flammable vapors and liquids in the vicinity of this or any other appliance.
- **WHAT TO DO IF YOU SMELL GAS**
  - Do not try to light any appliance.
  - Do not touch any electrical switch; do not use any phone in your building.
  - Immediately call your gas supplier from a neighbor's phone. Follow the gas supplier's instructions.
  - If you cannot reach your gas supplier, call the fire department.
- Installation and service must be performed by a qualified installer, service agency, or the gas supplier.

# ! DANGER



**HOT GLASS WILL CAUSE BURNS**

**DO NOT TOUCH GLASS UNTIL COOLED**

**NEVER ALLOW CHILDREN TO TOUCH GLASS**

**A barrier designed to reduce the risk of burns from the hot viewing glass is provided with this appliance and shall be installed for the protection of children and other at-risk individuals.**



Listed by  
Omni-Test Laboratories, Inc.  
**Report # 0028GF059S**  
ANSI Z21.88:19  
CSA 2.33:19

- **Built-In Direct Vent Fireplace**
- **Natural Gas or Propane**
- **Residential or Mobile Home**

**This appliance may be installed in an aftermarket, permanently located, manufactured home (USA only), or mobile home, where not prohibited by local codes.**

**This appliance is only for use with the type of gas indicated on the rating plate. A conversion kit is supplied with the appliance.**

**INSTALLER: Leave this manual with the appliance.**

French language manuals at [fireplacex.com](http://fireplacex.com)

**CONSUMER: Retain this manual for future reference.**

Manuels de langue Française à [fireplacex.com](http://fireplacex.com)

## Introduction

We welcome you as a new owner of a 864 GSR2 gas fireplace. This manual details operation and maintenance of this fireplace. Please familiarize yourself with the Owner's Manual before operating your heater and save the manual for future reference.

## Important Information

No other 864 GSR2 gas fireplace has the same serial number as yours. The serial number is on the listing label that is chained to the gas control valve. This serial number may be needed in case you require service.

Model: 864 GSR2 Fireplace

Serial Number: \_\_\_\_\_

Purchase Date: \_\_\_\_\_

Purchased From: \_\_\_\_\_

\_\_\_\_\_

\_\_\_\_\_

**Register your warranty online at:**

[traviswarranty.com](http://traviswarranty.com)

**Save Your Bill of Sale.**

To receive full warranty coverage, you will need to show evidence of the date you purchased your heater.

We suggest that you attach your Bill of Sale to this page so that you will have all the information you need in one place should the need for service or information occur.

## Installation Warnings

- **Installation requirements are printed in the 864 GSR2 Installation Manual. All requirements in the installation manual must be met.**
- **Failure to follow all of the requirements may result in property damage, bodily injury, or even death.**
- **This heater must be installed by a qualified installer who has gone through a training program for the installation of direct vent gas appliances.**
- **This appliance must be installed in accordance with all local codes if any; if not, follow ANSI Z223.1 and NFPA 54(88). In Australia follow AS/NZS 5601.1.**
- **In Manufactured or Mobile Homes must conform with Manufactured Home Construction and Safety Standard, Title 24 CFR, Part 3280, or, when such a standard is not applicable, the Standard for Manufactured Home Installations, ANSI/NCSCS A225.1. This appliance may be installed in Manufactured Housing only after the home is site located.**
- **The fireplace is designed to operate on natural gas, or propane (LP).**
- **All exhaust gases must be vented outside the structure of the living-area. Combustion air is drawn from outside the living-area structure.**
- **Notify your insurance company before hooking up this fireplace.**

## Table of Contents

<b>Introduction .....</b>	<b>2</b>	<b>Display Fahrenheit or Celsius .....</b>	<b>14</b>
<b>Important Information .....</b>	<b>2</b>	<b>Low Battery Indicator .....</b>	<b>15</b>
<b>Installation Warnings .....</b>	<b>2</b>	<b>Battery Replacement .....</b>	<b>16</b>
<b>Table of Contents .....</b>	<b>3</b>	Opening the Battery Box .....	16
<b>Features .....</b>	<b>3</b>	Battery Installation .....	16
<b>Heating Specifications .....</b>	<b>3</b>	Transmitter Battery Installation .....	16
<b>Before You Begin .....</b>	<b>6</b>	<b>Power Outages .....</b>	<b>16</b>
Remote Control Warnings .....	6	<b>Child-Proof Feature .....</b>	<b>17</b>
<b>Remote Set-Up .....</b>	<b>7</b>	<b>Normal Operating Sounds .....</b>	<b>17</b>
Verify the Switch is on "REMOTE" .....	7	<b>Normal Operating Odors .....</b>	<b>17</b>
Synchronize the Transmitter to the IFC .....	7	<b>Maintaining Your Fireplace's Appearance .....</b>	<b>18</b>
Clearing the System Memory .....	7	<b>Yearly Service Procedure .....</b>	<b>18</b>
<b>Location of Controls .....</b>	<b>8</b>	<b>Grill Installation and Removal .....</b>	<b>19</b>
<b>Direct Operation .....</b>	<b>8</b>	<b>Face Installation and Removal .....</b>	<b>20</b>
<b>Starting the Fireplace for the First Time .....</b>	<b>9</b>	<b>Barrier Removal .....</b>	<b>21</b>
<b>Intermittent/Continuous Pilot .....</b>	<b>9</b>	<b>Glass Frame Removal and Installation .....</b>	<b>22</b>
Switching from Intermittent (IPI) to Continuous Pilot (CPI) .....	9	<b>Glass Frame Removal and Installation (continued) .....</b>	<b>23</b>
<b>Pilot Fuel Conservation Timer .....</b>	<b>10</b>	<b>Glass Cleaning .....</b>	<b>24</b>
<b>Remote Operation .....</b>	<b>11</b>	<b>Accent Light Bulb Replacement .....</b>	<b>24</b>
Display Overview .....	11	<b>Ember Light Bulb Replacement .....</b>	<b>25</b>
Listen for the "Beep" .....	11	<b>Classic Log Set Installation (94500721) .....</b>	<b>26</b>
<b>Manual On-Off / Smart Thermostat / Standard Thermostat .....</b>	<b>12</b>	<b>Troubleshooting Table .....</b>	<b>33</b>
<b>Mode Controls (Flame, Blower, Light, Comfort Control, EmberBed Light) .....</b>	<b>13</b>	Location of fuses (3 amp): .....	33
Flame Height .....	13	<b>Wiring Diagram .....</b>	<b>34</b>
Blower Speed .....	13	<b>Replacement Parts List .....</b>	<b>34</b>
<b>Mode Controls - continued .....</b>	<b>14</b>	Safety Label .....	35
Accent Light .....	14	<b>CONDITIONS &amp; EXCLUSIONS .....</b>	<b>36</b>
Comfort Control (rear burner) .....	14	<b>IF WARRANTY SERVICE IS NEEDED: .....</b>	<b>36</b>
EmberBed Light (AUX) .....	14		

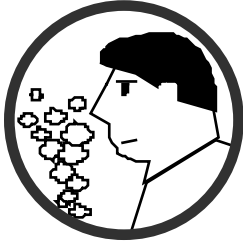
## Features

- Works During Power Outages (battery backup)
- GreenSmart™ 2 Thermostat / Remote Control
- Realistic "Wood Fire" Look
- Included Blower for Effective Heat Distribution
- Built-In Accent Light (night light)
- EmberBed Light
- Standing or Intermittent (GreenSmart) Pilot
- Convenient Operating Controls
- Variable-Rate Heat Output
- Low Maintenance

## Heating Specifications

		Natural Gas	Propane
40K 864	Approximate Heating Capacity (in square feet)*	Up to 2,000	Up to 2,000
	Maximum BTU Input Per Hour	40,000	40,000

\* Heating capacity will vary with floor plan, insulation, and outside temperature.

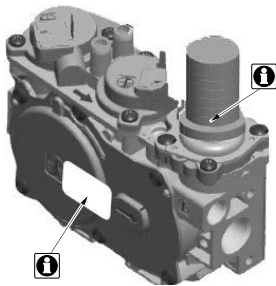
**IF YOU SMELL GAS:**

- \* Do not light any appliance
- \* Extinguish any open flame
- \* Do not touch any electrical switch or plug or unplug anything
- \* Open windows and vacate the building
- \* Call gas supplier from neighbor's house, if not reached, call the fire department



This unit must be installed by a qualified installer to prevent the possibility of an explosion. Your dealer will know the requirements in your area and can inform you of those people considered qualified. The room heater should be inspected and cleaned before use and at least annually by a qualified service person. More frequent cleaning may be required due to excessive lint from carpeting, bedding material, etc.

The instructions in this manual must be strictly adhered to. Do not use makeshift methods or compromise in the installation. Improper installation will void the warranty and safety listing.



This heater is either approved for natural gas (NG) or for propane (LP). Burning the incorrect fuel will void the warranty and safety listing and may cause an extreme safety hazard. Direct questions about the type of fuel used to your dealer. Check for a label on the flame adjust knob on the gas control valve (this is the best place to check). You may also check for a label on the gas control valve body.



Contact your local building officials to obtain a permit and information on any installation restrictions or inspection requirements in your area. Notify your insurance company of this heater as well.



If the flame becomes sooty, dark orange in color, or extremely tall, do not operate the heater. Call your dealer and arrange for proper servicing.



It is imperative that control compartments, screens, or circulating air passageways of the heater be kept clean and free of obstructions. These areas provide the air necessary for safe operation.



Do not operate the heater if it is not operating properly in any fashion or if you are uncertain. Call your dealer for a full explanation of your heater and what to expect.



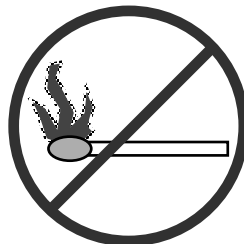
Do not store or use gasoline or other flammable liquids in the vicinity of this heater.



Do not operate if any portion of the heater was submerged in water or if any corrosion occurs. Immediately call a qualified service technician to inspect the appliance and to replace any part of the control system and any gas control that has been under water.



Do not place clothing or other flammable items on or near the heater. Because this heater can be controlled by a thermostat there is a possibility of the heater turning on and igniting any items placed on or near it.



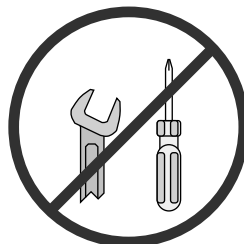
Light the heater using the built-in igniter. Do not use matches or any other external device to light your heater.

Allow the heater to cool before carrying out any maintenance or cleaning.



The viewing glass should be opened only for conducting service. Do not operate with cracked, broken, or removed glass.

Any safety screen or guard removed for servicing must be replaced prior to operating the heater.

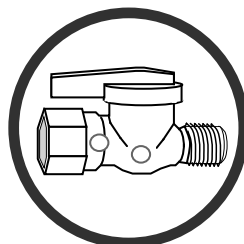


Never remove, replace, modify or substitute any part of the heater unless instructions are given in this manual. All other work must be done by a trained technician. Don't modify or replace orifices.



Operate the heater according to the instructions included in this manual.

If the main burners do not start correctly turn the gas off at the gas control valve and call your dealer for service.



Instruct everyone in the house how to shut gas off to the appliance and at the gas main shutoff valve. The gas main shutoff valve is usually next to the gas meter or propane tank and requires a wrench to shut off.



This unit is not for use with solid fuel

Do not place anything inside the firebox (except the included fiber logs).

If the fiber logs become damaged, replace with Travis Industries media.



Do not throw this manual away. This manual has important operating and maintenance instructions that you will need at a later time. Always follow the instructions in this manual.



Children and adults should be alerted to the hazards of high surface temperature and should stay away to avoid burns or clothing ignition. Young children should be supervised when they are in the same room as the heater.

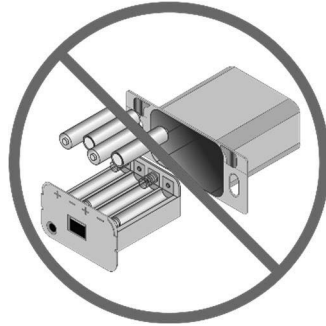


**Travis Industries, Inc. grants no warranty, implied or stated, for the installation or maintenance of your heater, and assumes no responsibility for any consequential damage(s).**

## Before You Begin

- Read this entire manual before you use your new heater (especially the section "Safety Precautions" on pages 4 & 5). Failure to follow the instructions may result in property damage, bodily injury, or even death.

### Remote Control Warnings



#### **KEEP BATTERIES INSTALLED AT ALL TIMES**

The remote control system requires the batteries to remain in place at all times. Once the batteries are removed, the system may re-start in standing pilot mode. If this occurs when the heater is in Remote Mode, you will not be able to turn the heater off manually from the battery box.

If you need to replace dead batteries, make sure to **turn the appliance off** before removing the batteries.

**NOTE:** If the batteries go dead, the system will operate normally as long as household power (120v AC) is present.



The transmitter and IFC are radio frequency devices. Placing the transmitter in or near metal may severely reduce the signal range.



Turn off the main gas supply to the appliance during installation or maintenance. In case of remote control malfunction turn off the main gas supply to the appliance.

### **PROGRAMMING THE REMOTE**

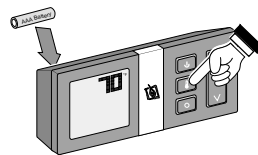
The SIT GSR2 remote may be programmed to disable the thermostat or any of the modes (flame height, blower, light, comfort control, Standing Pilot \*, or auxiliary power input). This allows you to tailor the remote to the appliance.

\* We do not recommend disabling the standing pilot option for our gas appliances. This feature may be recommended for cold regions or installations with sub-optimal venting.

#### **How to Disable/Enable the Thermostat**

The remote is shipped with the thermostat enabled.

- 1 Remove one battery from the remote.
- 2 Press and hold the thermostat button while replacing the battery. This will toggle the thermostat function. Repeat this process to toggle the thermostat function to the desired setting.



"SET" = thermostat function enabled.



"CLR" = thermostat function disabled.

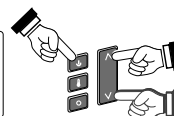
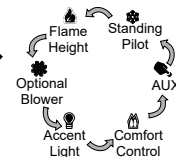
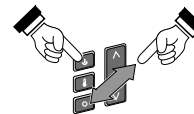
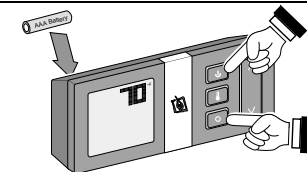
#### **How to Disable/Enable Modes (Light, Blower, etc.)**

The remote is shipped with all modes enabled (except AUXiliary).

- 1 Remove one battery from the remote.
- 2 Press and hold the on/off button and mode button while replacing the battery.

**Keep the on/off button depressed during the following steps.**

- 3 While keeping the on/off button depressed, press and release the mode button until the mode that needs to be changed is illuminated.
- 4 With the desired mode illuminated (see illustration to the right), press the "up" or "down" button to activate or clear the mode being addressed. Make sure to keep the on/off button depressed during this process.
- 5 Release the on/off button to complete programming.



"SET" = selected mode enabled.

"CLR" = selected mode disabled.

## Remote Set-Up

### Verify the Switch is on “REMOTE”

The battery holder has a switch built into it (see **Figure 1**). This switch must remain in the REMOTE position for the remote to operate.

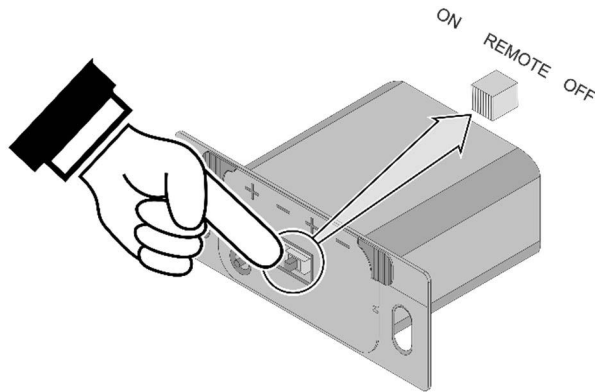


Figure 1

### Synchronize the Transmitter to the IFC

The transmitter will need to be synchronized to the IFC (Integrated Fireplace Control) before the remote will work correctly. Synchronizing is done in the following two steps below (see **Figure 2**):

1. Press the PRG (Program) button on the battery box (IFC will beep 3 times).
2. Press the “ON” button on the transmitter (IFC will beep 3 times).

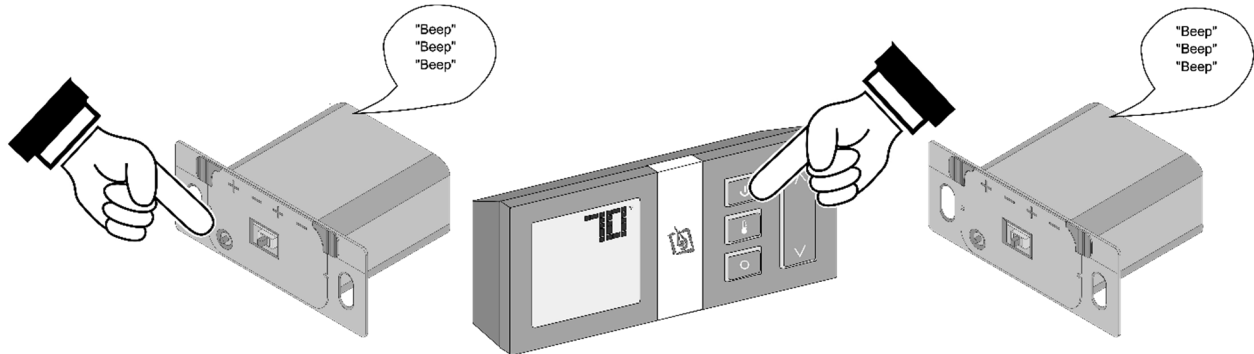


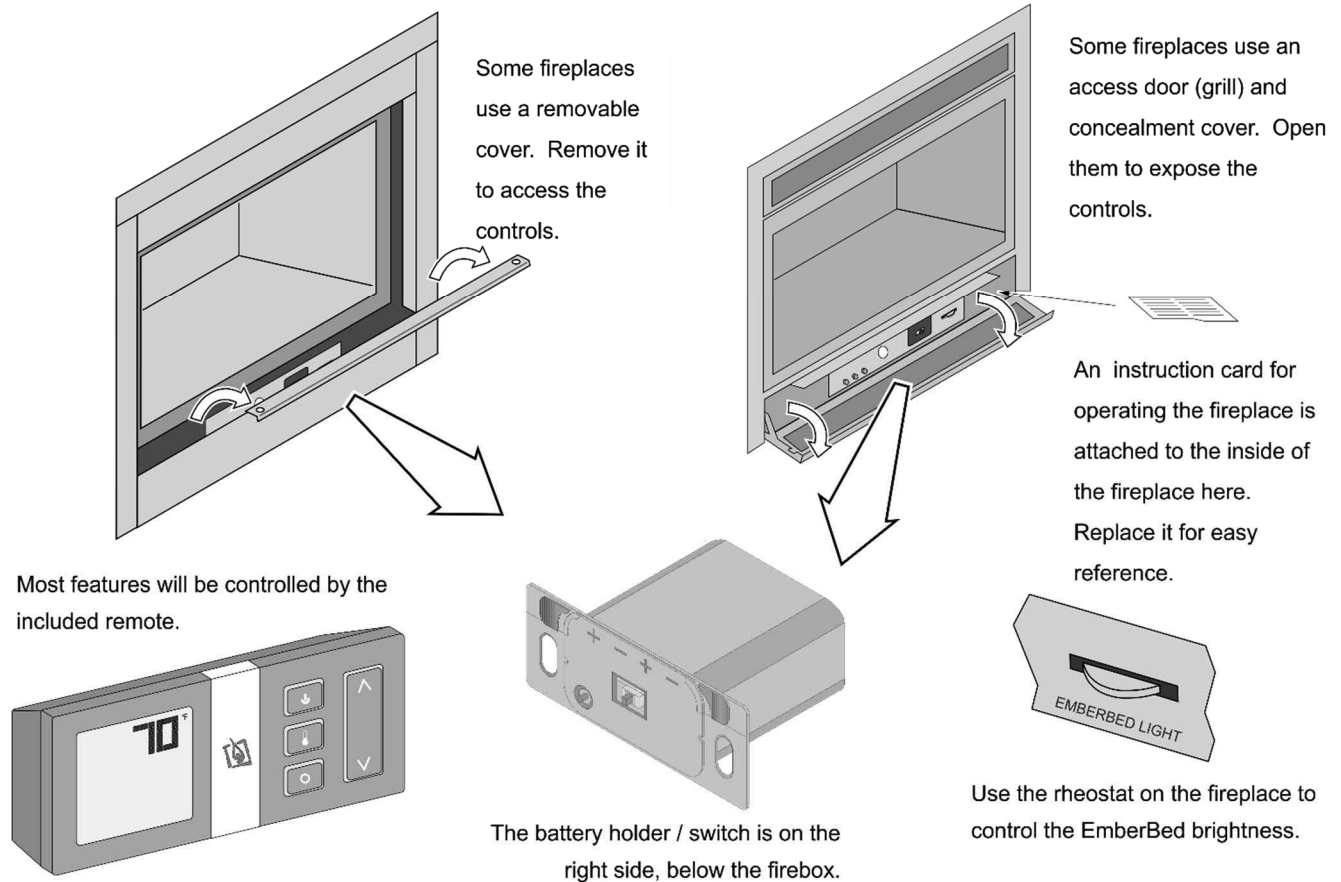
Figure 2

**NOTE:** If power is cut off to the IFC for an extended period of time, you may need to re-synchronize the remote.

### Clearing the System Memory

This appliance uses an Integrated Fireplace Control (IFC) to store the unique code for the remote control. If you wish to clear the system memory, **MAKE SURE GAS IS TURNED OFF TO THE APPLIANCE** then press the PRG (Program) button for 10 seconds. The pilot will start to spark repeatedly, signifying all system memory has been cleared. The system will return to its original configuration: a remote will need to be synchronized; and, the system will operate under continuous pilot mode.

## Location of Controls



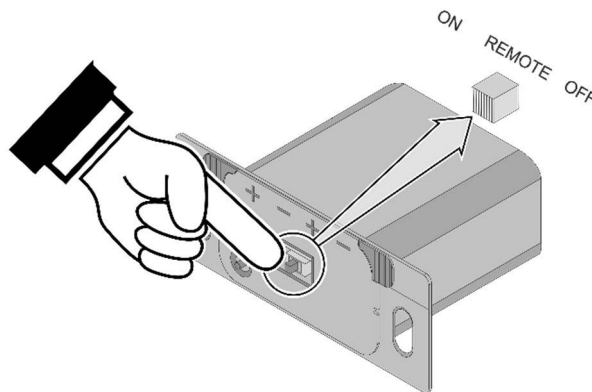
## Direct Operation

The fireplace may be directly operated from the battery holder. The three positions are shown below:

**ON** – Burner turns on (regardless of transmitter settings).

**OFF** – Burner turns off (regardless of transmitter settings).

**REMOTE** – Burner is controlled by the transmitter.



**NOTE:** When the battery holder switch is turned to ON or OFF, the mode settings (Flame Height, Comfort Control) will remain in the same state as before the switch was moved (i.e.: the IFC “remembers” the last setting). If you wish to adjust the mode settings use the transmitter mode button to adjust the settings (see “Mode Controls” on page 13). The thermostat and burner on/off operating functions will not work on the transmitter.



## Starting the Fireplace for the First Time

- Burn the heater at a high setting with the blower off for an extended period (up to 48 hours). This will cure the painted surfaces. **Fumes** from the paint curing and oil burning off the steel will occur. This is normal. We recommend opening a window to vent the room.
- **Condensation** may appear on the glass each time you start the fireplace - this is normal.
- **Blue Flames** will occur on the fireplace when it first comes on. After fifteen minutes the flames will turn a more realistic yellow and orange color.
- Verify the power backup batteries are installed (see page 16).

## Intermittent/Continuous Pilot

This heater may run with the pilot continuously running or in intermittent mode. For most homeowners, the intermittent mode is preferred (this saves fuel and doesn't give off un-needed heat). However, in some situations the homeowner may prefer to switch the heater to continuous pilot. The most typical reasons for switching to continuous pilot are:

- Very Cold Conditions – in very cold conditions you may notice that the burner does not light quickly, and the flames lift off the burner. If this is the situation, we recommend you switch to continuous pilot. This will create a slight draft in the vent, allowing for the burner to light quickly and draft correctly.
- Excessive Condensation on Glass After Startup – certain installations may encounter excessive fogging on the window after startup (not just the first time the heater was started). This is an aesthetic condition that may be remedied by switching the heater to continuous pilot.
- Cold Glass or Heater Front – in very cold conditions you may notice that the heater front and glass become very cold. To remedy this, switch the heater to continuous pilot.
- Frequent On / Off Operation – if you are frequently turning the heater on and off, you may wish to leave it in continuous pilot. This allows the burner to turn on more quickly, without pilot ignition delay.

## Switching from Intermittent (IPI) to Continuous Pilot (CPI)

The pilot mode on this appliance is adjusted using the remote. With the remote in the off position (thermostat off, manual off), follow the directions below to adjust the pilot mode.

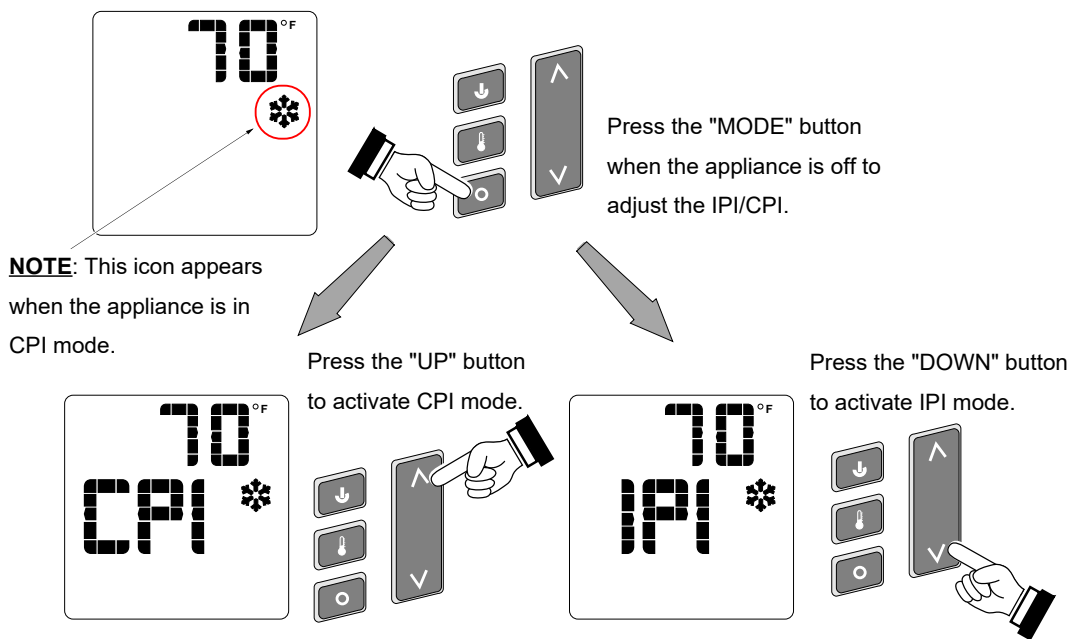
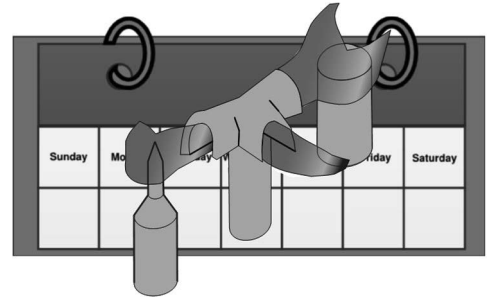


Figure 3

## ***Pilot Fuel Conservation Timer***

### **7 Day Pilot Shutoff Timer (applies to units in CPI mode only)**

This appliance may be equipped with a 7 day pilot shutoff timer. This timer helps conserve fuel and save money by turning the pilot off when the appliance is not used for 7 days (this timer is mandated in certain areas for conservation purposes). This applies only when the unit is in CPI (Continuous Pilot Ignition) mode. If the unit is in IPI (Intermittent Pilot Ignition) mode, the timer does not apply.



When in CPI mode the pilot will remain lit as long as the burner is engaged within a 7 day window. Each time the burner is turned on the 7 day timer resets. If the burner is not engaged within the 7 day window, the pilot will automatically revert to IPI mode and turn off to conserve fuel.

### **To switch back to CPI, simply:**

GSR2 Units: toggle the IPI/CPI switch to IPI, then back to CPI.

GSR2 Units: use the remote to toggle from IPI mode, then back to CPI mode.

To prevent the need to reset the pilot mode during the heating season, we have listed a few strategies below:

### **Option 1: Remember to periodically turn on the heater during the heating season**

If you use your heater for supplemental heat, this may be the best solution. Set a specific time, once or twice per week (e.g. 5pm on Tuesday & Friday) to turn the heater on for a few minutes. This will reset the timer and prevent the need to restart the pilot.

### **Option 2: Use a thermostat**

GSR Units: Use the thermostat included with the appliance

GSR Units: Consult your dealer for thermostats compatible with your appliance.

The use of a thermostat will keep the room at a constant temperature and will, in most cases, keep the heater working throughout the heating season. Light the pilot at the beginning of the heating season and set the thermostat to the desired room temperature. As long as the outside temperature does not rise excessively, for seven days or more, the pilot will continue to operate.

### **Option 3: Use a programmable thermostat (GSR2 Only)**

A programmable thermostat may be set to turn on, once per week, to a high temperature for a short time. This will reset the 7-day timer and allow the heater to operate without having to restart the pilot.

## Remote Operation

When the switch on the battery holder is set to “REMOTE” the transmitter operates the fireplace. Once you understand how the transmitter works, you will be able to operate your fireplace quickly and easily.

### Display Overview

The transmitter display has four main sections (see **Figure 4**).

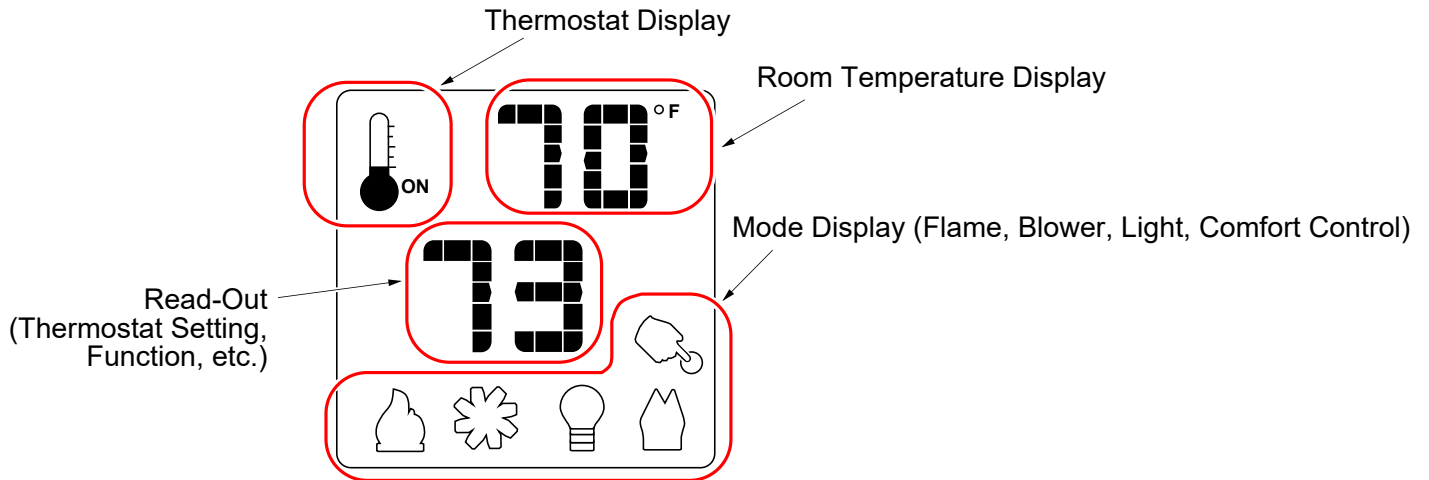


Figure 4

### Listen for the “Beep”

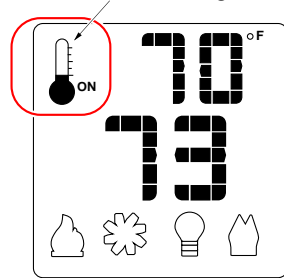
Each time you press a button on the transmitter that controls the fireplace, a “beep” will come from the IFC. When you change thermostat target settings the IFC will not beep.

**NOTE:** When the batteries start to get low, the IFC will beep twice whenever a button is pressed. When the batteries are nearly depleted, the IFC will no longer beep. See “IFC Batteries” on page 15).

## Manual On-Off / Smart Thermostat / Standard Thermostat

Use the thermostat button to cycle through the three thermostat settings (see Figure 5).

Look here for the thermostat setting.



Press the thermostat button to cycle through the thermostat settings.

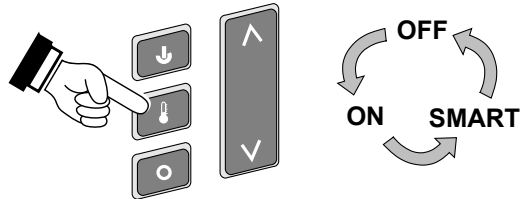
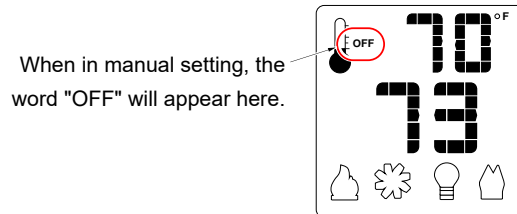


Figure 5

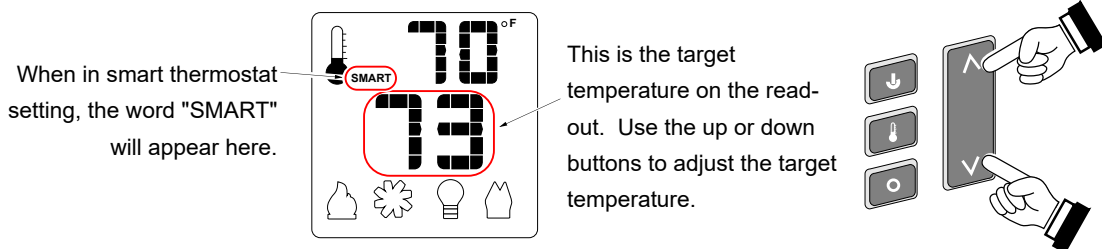
- MANUAL ON/OFF** – The burner will turn on and off using the remote (see Figure 6). Press the On/Off button to control the burner. When off, the display will only show the current temperature.



When in manual setting, the word "OFF" will appear here.

Figure 6

- SMART THERMOSTAT** – While in smart thermostat, the transmitter will control the burner to achieve the target temperature (see Figure 7 below). Flame height will be adjusted up or down to allow operation without turning the burner on and off (also called "smart modulation"). To adjust the target temperature, press the UP and DOWN buttons until a suitable temperature is achieved.

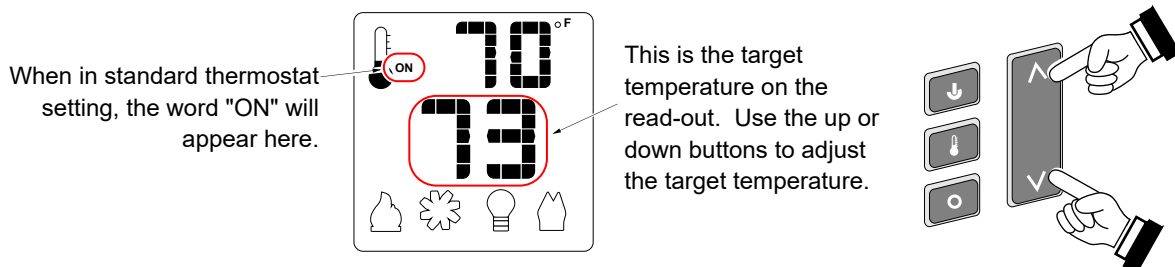


When in smart thermostat setting, the word "SMART" will appear here.

This is the target temperature on the read-out. Use the up or down buttons to adjust the target temperature.

Figure 7

- STANDARD THERMOSTAT** - While in standard thermostat setting, the transmitter will turn the burner on and off to achieve the target temperature (see Figure 8 below). To adjust the target temperature, press the up and down buttons until a suitable temperature is achieved.



When in standard thermostat setting, the word "ON" will appear here.

This is the target temperature on the read-out. Use the up or down buttons to adjust the target temperature.

Figure 8

**NOTE:** If the transmitter batteries go dead while in thermostat setting (standard or smart), the appliance will shut off after approximately 24 hours.

## Mode Controls (Flame, Blower, Light, Comfort Control, EmberBed Light)

Use the mode button to cycle through the mode controls (see Figure 9 below).

Press the mode button to cycle through the mode settings.

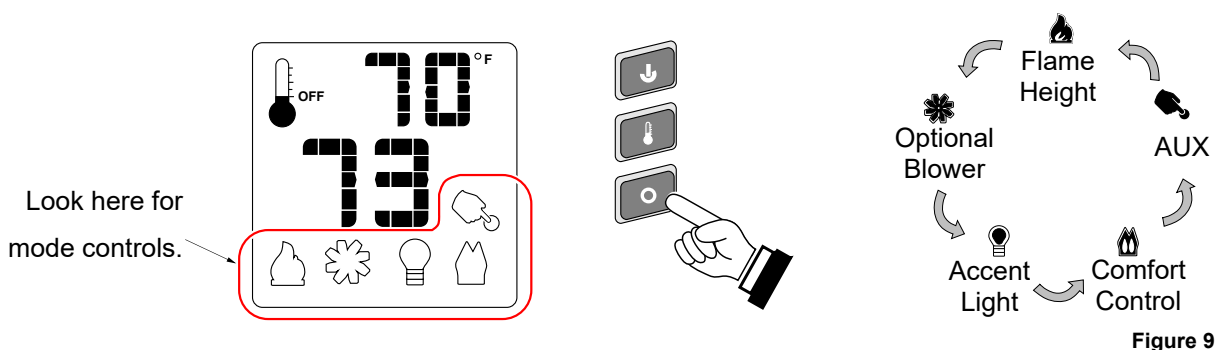


Figure 9

### Flame Height

Flame height may be controlled using the UP and DOWN buttons when in Flame Height Mode (see Figure 10 below). The center display will display the 7 settings, from “OFF” to “HI” for full on.

**NOTE:** Flame height may not be adjusted if operating in Smart Thermostat setting.

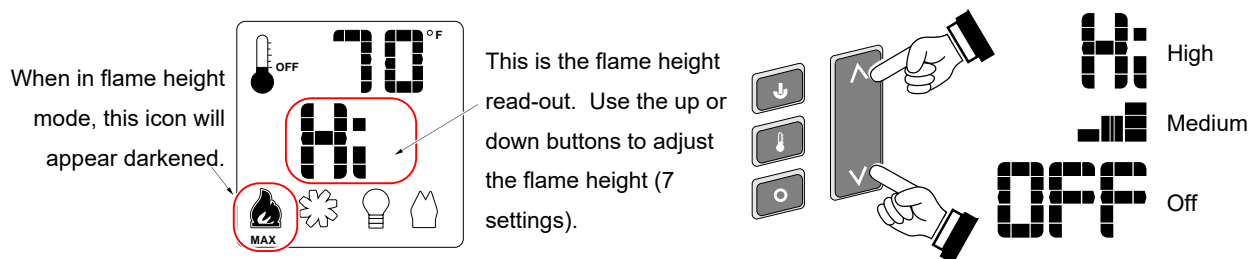


Figure 10

### Blower Speed

The blower may be controlled using the up and down buttons when in Blower Speed Mode (see Figure 11). The center display will display the 7 settings, from “OFF” to “HI” for full on.

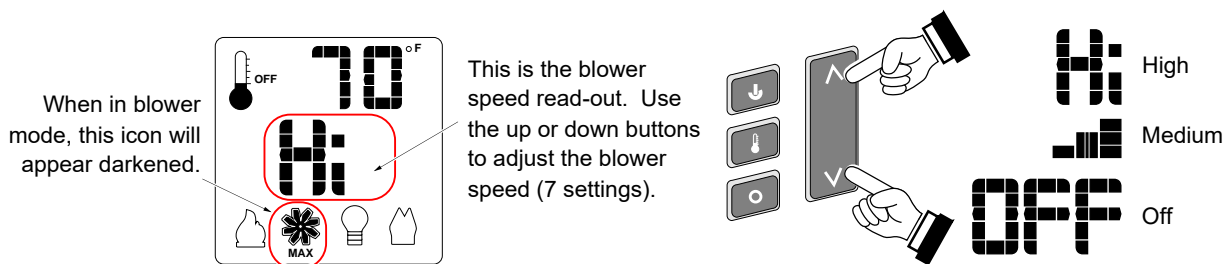


Figure 11



### **MANUAL MODE – BLOWER OPERATION**

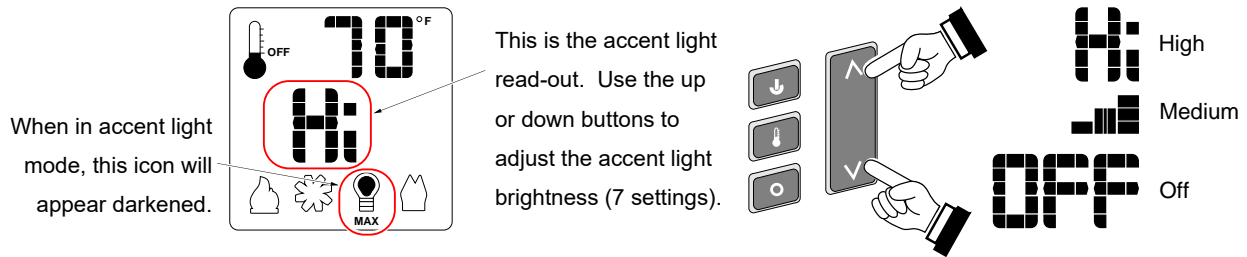
When in Manual Mode the blower will remain on, even if the burner is turned off and the heater cools.

Either manually turn the blower off, or turn off the heater by pressing the On/Off button.

**Mode Controls - continued**

**Accent Light**

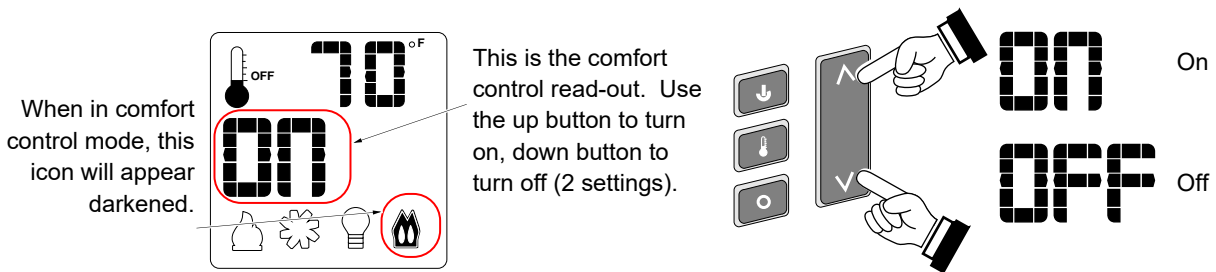
The Accent Light (night light) inside the heater may be turned on and off using the up and down buttons when in Accent Light Mode (see illustration below). The center display will display the 7 settings, from “OFF” to “HI” for full on.



**HINT:** If you wish to leave the accent light on while turning the burner off, adjust the Flame Height to “OFF” (see above).

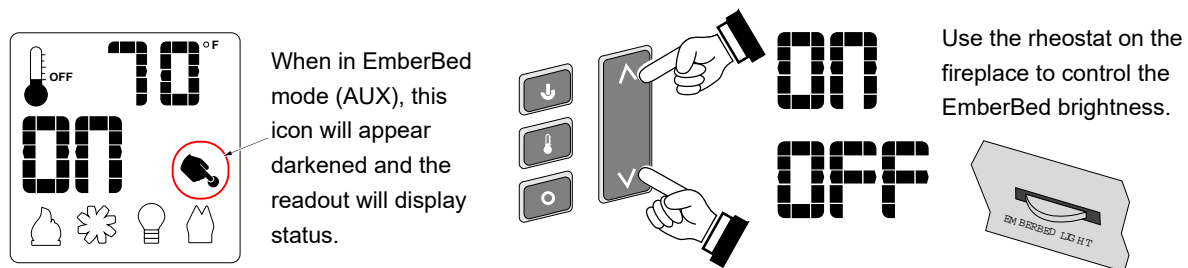
**Comfort Control (rear burner)**

The comfort control (rear burner) may be turned on and off using the up and down buttons when in Comfort Control Mode (see illustration below). The center display will display either “ON” or “OFF”.



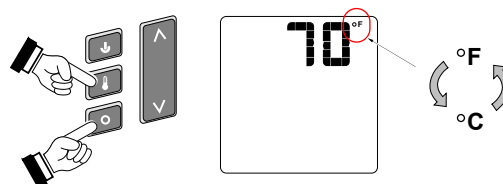
**EmberBed Light (AUX)**

The emberbed light may be turned on and off using the up and down buttons (see illustration below). You can adjust the brightness of the emberbed light using the built in rheostat.



**Display Fahrenheit or Celsius**

- With the system in the “OFF” position, press both the MODE and THERMOSTAT buttons simultaneously to toggle between Fahrenheit (F) and Celsius (C).



## Low Battery Indicator

### Transmitter Batteries

The transmitter has a battery-level indicator. When it indicates low battery voltage (see Figure 12 below), install three new AAA alkaline batteries into the transmitter (see “**Transmitter Battery Installation**” on page 16).

Low Battery Indicator

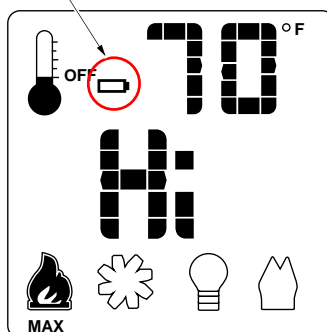


Figure 12

### IFC Batteries

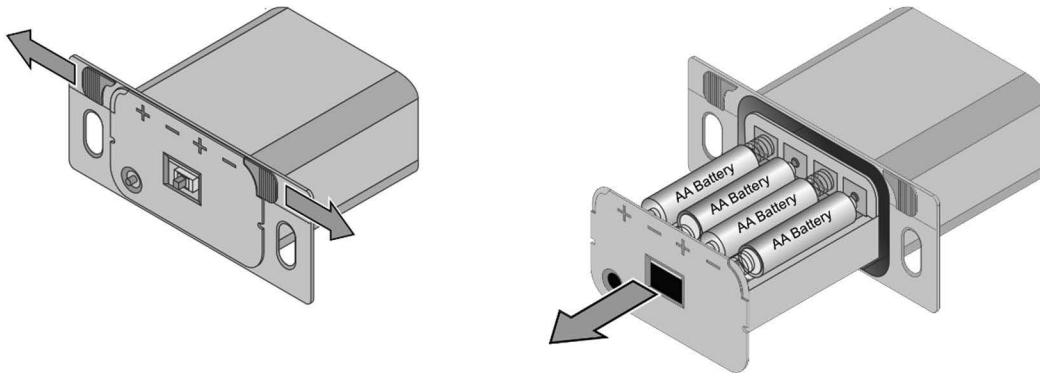
The IFC (Integrated Fireplace Control) will “beep” twice when a transmitter button is pressed when the batteries are low. Install four new AA alkaline batteries into the battery box when this occurs (see “Battery Replacement” on page 16). We recommend replacing the batteries before each heating season.

## Battery Replacement

### Opening the Battery Box

There are (2) locking tabs in the upper corners of face of the battery box. Slide the tabs to the side and the battery tray will pop outward enough to allow you to grab it. Pull the battery tray forward and remove it from the battery box.

**NOTE:** When re-installing the battery tray, make sure to secure the battery tray into battery box using the locking tabs to ensure a good electrical connection.



### Battery Installation

Install (4) AA batteries into the battery holder (see Error! Not a valid bookmark self-reference. below). These batteries act as a power backup in case the household (AC) current goes out.

### Transmitter Battery Installation

Install the (3) included AAA batteries into the remote.

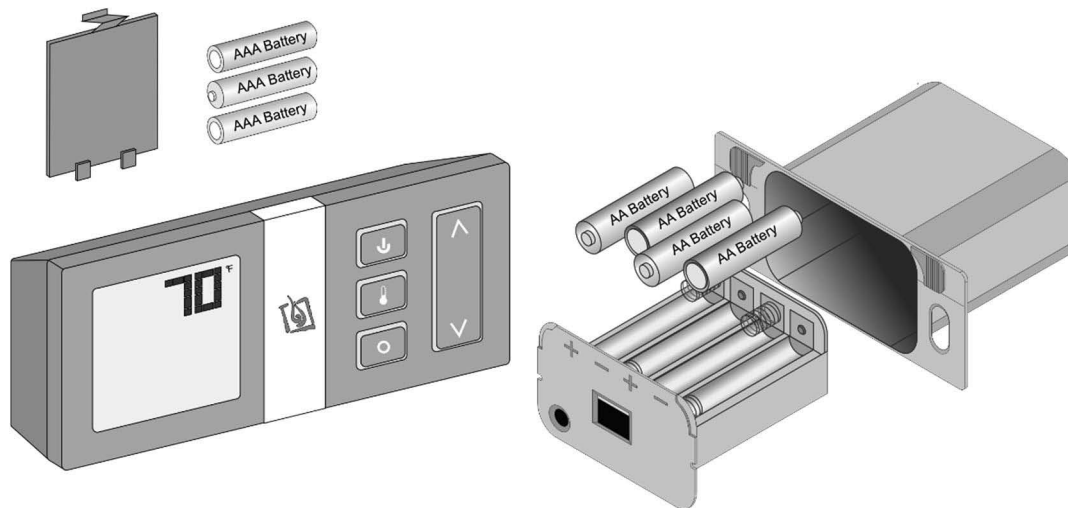


Figure 13

## Power Outages

The remote will work if household current (AC power) is disconnected. The batteries inside the battery box will continue to power the heater but the accent light and blower will not operate.



## Child-Proof Feature

The child proof feature disables the control buttons, preventing unwanted use of the remote.

- Press both the MODE and UP buttons simultaneously to turn this feature on and off (see Figure 14 below).

**HINT:** This feature is especially useful while using the thermostat setting.

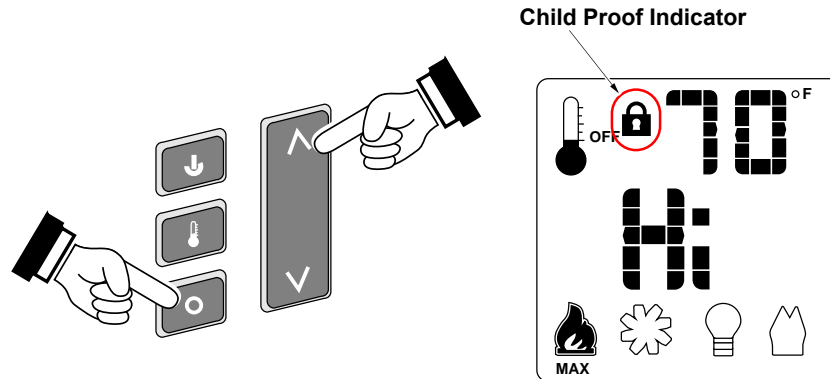
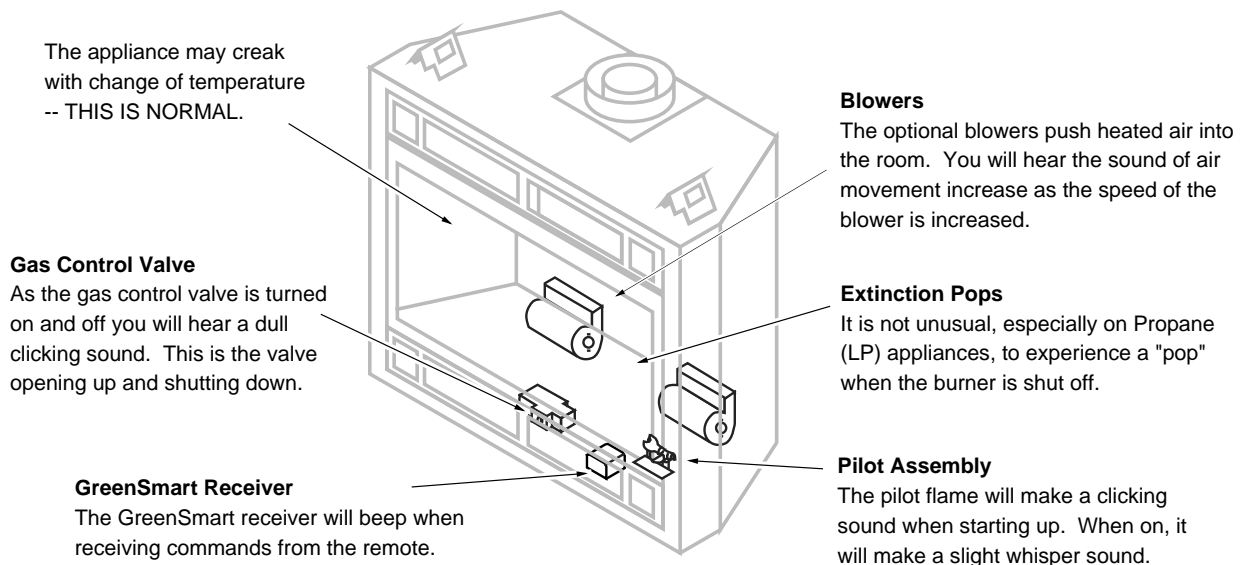


Figure 14

## Normal Operating Sounds



## Normal Operating Odors

This appliance has several areas that reach high temperatures. Dust or other particles on these areas may burn and create an odor. This is normal during start-up. You may notice the smell is more acute if the appliance was left idle for a long period.

**DANGER HIGH VOLTAGE:** Disconnect power before attempting maintenance or repair.

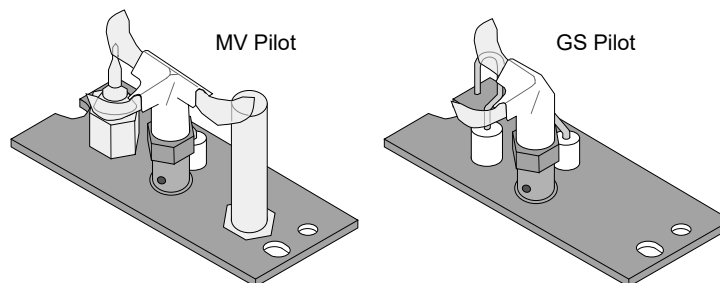
## Maintaining Your Fireplace's Appearance

Fingerprints or other marks left on the optional plated surface may become etched in place if they are not wiped clean prior to turning the fireplace on. Clean the plated surface with denatured alcohol and a soft cloth (with the fireplace cool). Other cleaners may leave a film that may become etched into the surface.

## Yearly Service Procedure

**WARNING:** Failure to inspect and maintain the stove may lead to improper combustion and a potentially dangerous situation. We recommend the following procedures be done by a qualified technician.

- Shut off gas to the fireplace and let it cool for 15 minutes. Remove the glass. Inspect and operate the pressure relief mechanism to verify relief mechanisms are free from obstruction to operate.
- Clean glass window with a suitable fireplace glass cleaner. Abrasive cleaners must not be used. Be careful not to scratch the glass when cleaning.
- Vacuum and clean any debris in the firebox.
- Check all accessible gas-carrying tubes, connections, pipes, and other components for leaks.
- Inspect the burner and firebox. Make sure the burner is not warped, cracked, or damaged. Check the firebox and area around the pilot to make sure there is no damage. Inspect primary air openings for blockage. If any problem is found, discontinue use and contact your dealer for service.
- Inspect the area behind the access door; clean if necessary. Check the gas control valve and the gas lines. If damage is found, discontinue use and contact your dealer for service. Clean the air channels, ducts, and blower (if applicable)
- Inspect vent and vent termination for sooting, obstructions, or damage. Make repairs as needed. Remove any debris or vegetation near the vent termination. Contact your dealer if any sooting or deterioration is found near the vent termination.
- Reinstall the glass assembly. If the glass is damaged, replace it. Make sure the gasket along the perimeter of the glass contacts the face of the firebox and forms an air-tight seal. If it does not, re-align or replace the gasket to insure an air-tight seal.
- Turn the pilot flame on (continuous pilot). It should touch approximately 3/8" of the top of the flame sensor (see below). If it does not, contact your dealer.



- Start the main burner. Inspect and ensure the lighting of the main burner occurs within 4 seconds of the main gas valve opening.
- Test the flame failure response time of the flame safety system. It must de-energize the safety shutoff in no more than 30 seconds.
- After 15 minutes the flames should be orange/yellow and not touch the top of the firebox. If the pilot or main burners do not burn correctly, contact your dealer for service. Monitor blower operation

## Grill Installation and Removal

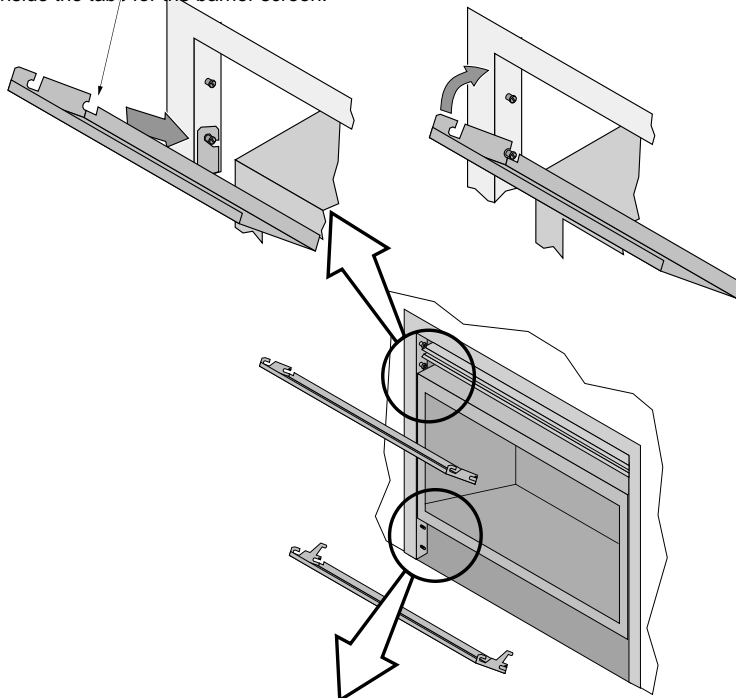
Some fireplaces may use grills above and below the glass. See the instructions below to remove.

**Note:** Install the barrier screen before attaching the grills.

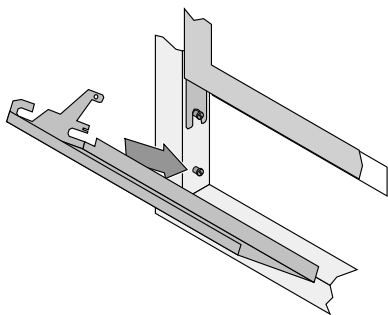
### Upper Grill Installation (Standard Grill)

Hold the grill at an angle and insert the lower slot over the lower bushing on the fireplace (both sides). The grill fits inside the tabs for the barrier screen.

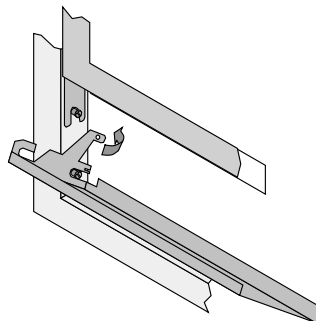
Swing the grill upwards to engage the upper slot. You will need to lift the grill slightly to get it over the bushing. Once in place the grill is held in place by gravity.



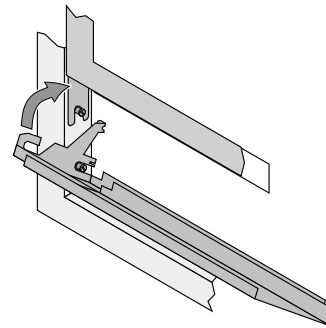
### Lower Grill Installation



Hold the grill at an angle and insert the lower slot over the bushing on the fireplace (both sides). You may need to press on the grill to get the tab over the bushing (this prevents the grill from accidentally falling off).



Bend the tab outward on both sides. This is the end-stop for the lower grill, it allows the grill to swing forward.

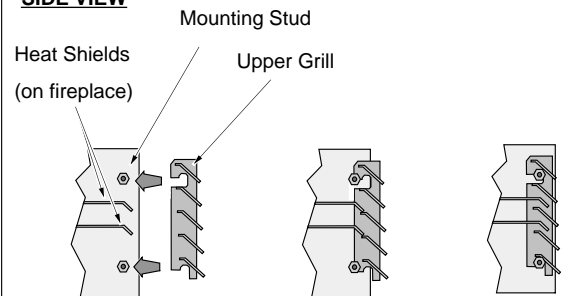


Swing the grill upwards to engage the upper slot. The grill fits inside the tabs for the barrier screen. You will need to lift the grill slightly to get it over the bushing. Once in place the grill is held in place by gravity.

### Upper Grill Installation (Louvered Grill)

**NOTE:** The upper grill is difficult to install the first time - be patient, after you install it, you will know how it installs and it will be much easier the second time.

#### SIDE VIEW



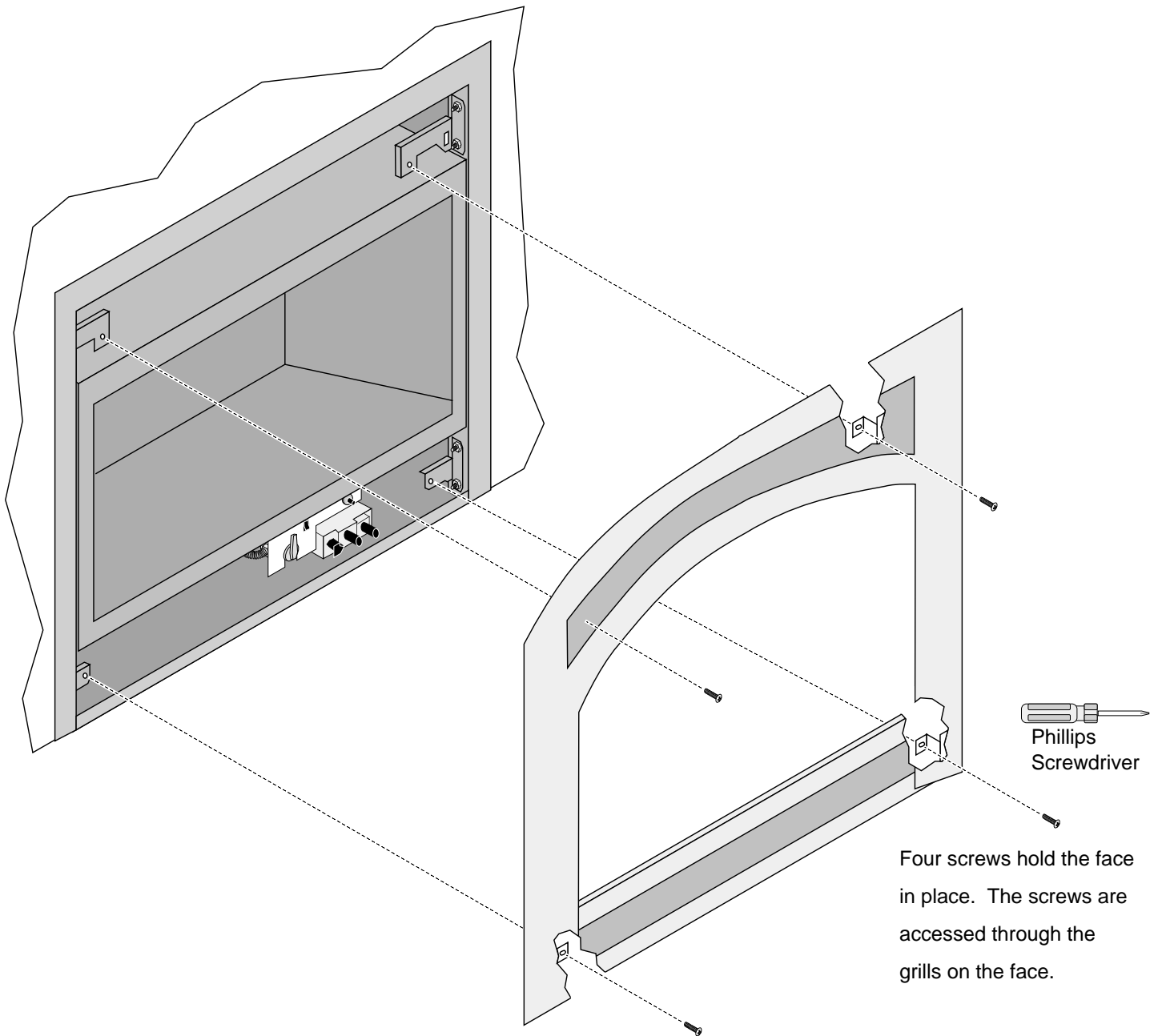
Position the grill so the slots on the grill align with the mounting studs.

You may need to push in and upwards on the grill as it inserts.

The grill, when fully inserted, will slide down and "click" into place.

### Face Installation and Removal

Some fireplaces have a face that fits over the glass frame. The face can be removed following the directions below.



## Barrier Removal

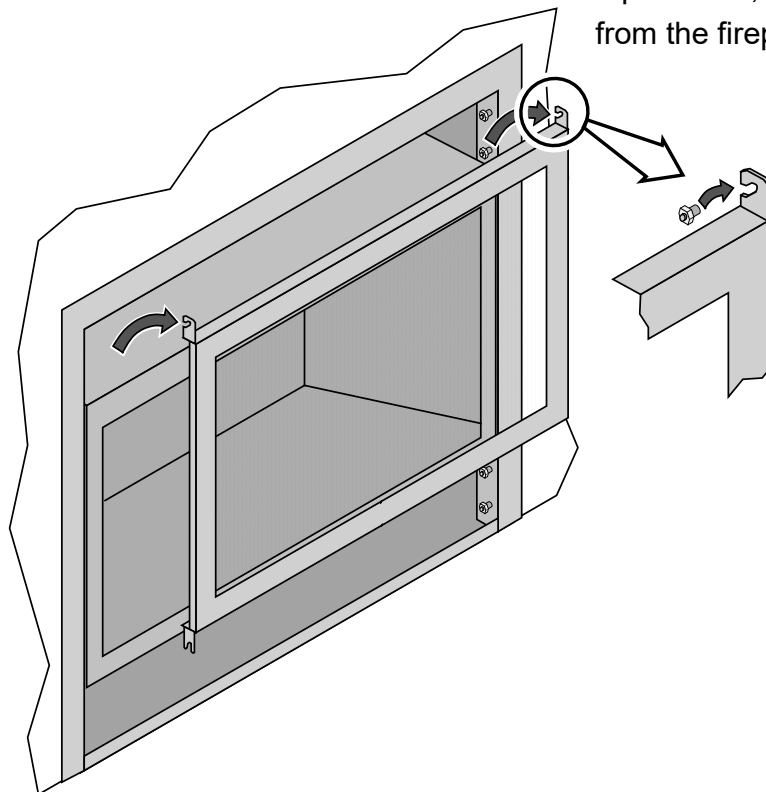


A barrier designed to reduce the risk of burns from the hot viewing glass is provided with this appliance and shall be installed for the protection of children and other at-risk individuals.

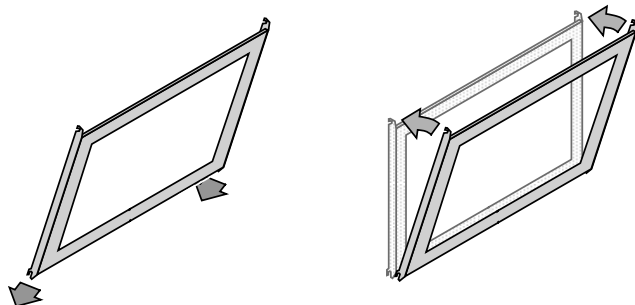


If the barrier becomes damaged, the barrier shall be replaced with the manufacturer's barrier for this appliance.

Lift the barrier up, pivot the top forward, and remove from the fireplace.



**HINT FOR REPLACING THE BARRIER:** Hold the barrier at an angle and insert the bottom slots first. Then pivot the barrier forward to engage the top hooks.



## Glass Frame Removal and Installation

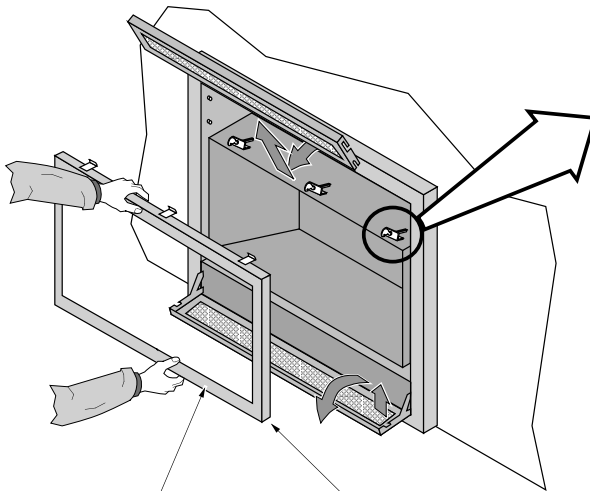
**Warning:** The appliance must be completely cool before removing the glass.

**Warning:** Do not strike or slam the glass.

**Note:** Remove the barrier before removing the glass (see previous page). Replace barrier after replacing the glass.

- a** Based upon the face being used, either:
- swing the access door down and remove the top grill,
  - remove the face (unscrew or lift off - see the instructions included with the face for details).

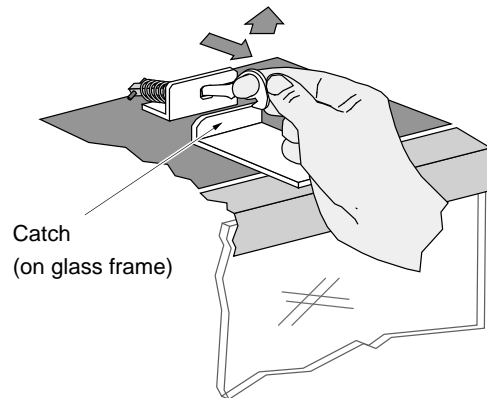
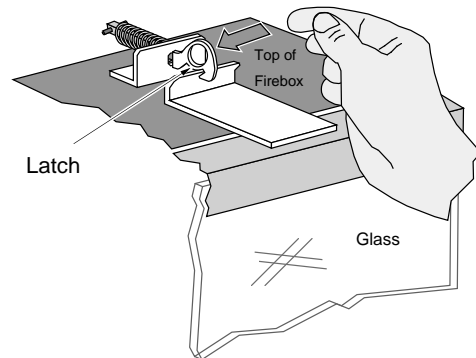
Open the six latches holding the glass frame in place (start with the bottom three) - follow the directions shown to the right.



- b** Lift the glass frame up and pull it forward to remove.

**NOTE:**

You may need to lift the glass frame while re-attaching.



**Re-Attaching the Glass Frame:**

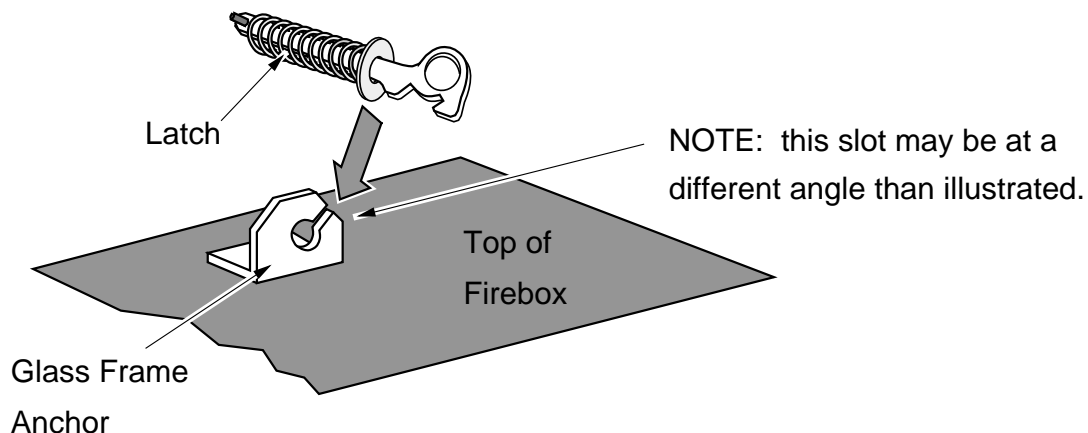
- Hang the glass frame on the firebox.
- While holding in place, attach the upper latches (follow the instructions above in reverse).
- Lift the glass frame slightly and attach the lower latches.

**NOTE:** Make sure the glass frame is all the way in place - it should be flush with the front of the fireplace when installed.

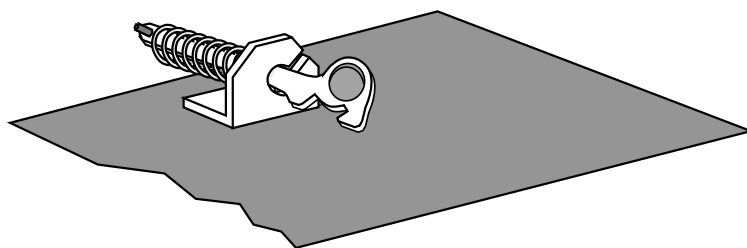
### ***Glass Frame Removal and Installation (continued)***

The latch can come loose from the latch assembly. This occurs only when it is rotated. Follow the directions below to re-install the latch if it comes loose.

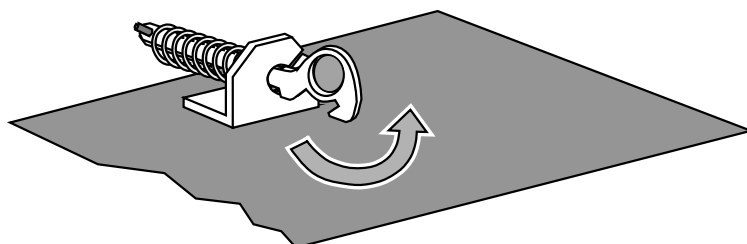
Hold the latch at an angle and insert it into the slot on the glass frame anchor.



Note how the washer on the latch fits behind the flange on the glass frame anchor.

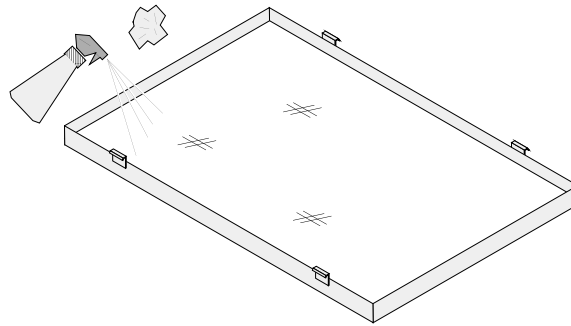


Once fully inserted, turn the latch until it is upright.



## Glass Cleaning

The glass may be cleaned with a non-abrasive cleaner. To clean the inside of the glass, simply remove the glass frame, place it on a non-scratching surface, and clean the inside surface.



**WARNING:** do not operate the fireplace without the glass frame in place.

## Accent Light Bulb Replacement

**35 Watt 120 Volt T4 Halogen Bulb (GY6.35 Base)**

**Warning:** The appliance must be completely cool before servicing.

**Warning:** Accent light bulb can remain very hot after it has been turned off. Use caution when replacing the bulb.

**Warning:** Turn power off to the fireplace prior to servicing.

1. Remove the barrier and glass frame assembly (see details starting on page 21).
2. Use a ¼" nut driver to remove the (4) screws securing the Light Housing to the ceiling of the firebox (set aside for reinstallation).

**NOTE:** Take care not to damage the gasket that seals the Light Housing to the top of the fireplace. If the gasket appears damaged, contact your dealer for a replacement.

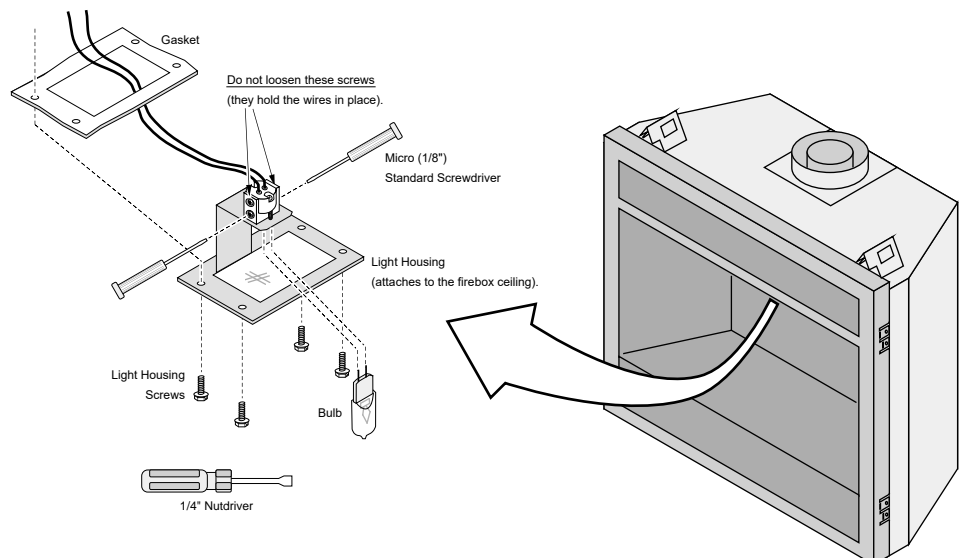
3. Lower the Light Housing into the fireplace to gain access to the retaining screws.
4. Use a standard 1/8" or "micro" screwdriver to loosen the (2) lower retaining screws.

**NOTE:** There are (4) retaining screws on the socket (2 on each side). Make sure to loosen the two lower screws **ONLY** (closest to the bulb).

5. Remove the bulb from the socket by pulling directly downward on the bulb.
6. Install the replacement bulb into the socket by lining up the two pins on the bulb with the socket holes and pushing the bulb upward into place. Tighten the retaining screws.

**NOTE:** Take care not to touch the replacement bulb with your bare hand. The oils from your skin can shorten the life of the bulb.

7. Return the fireplace to the proper configuration.





## Ember Light Bulb Replacement

### 35 Watt 120 Volt T4 Halogen Bulb (GY6.35 Base)

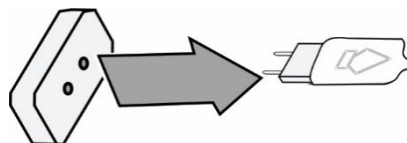
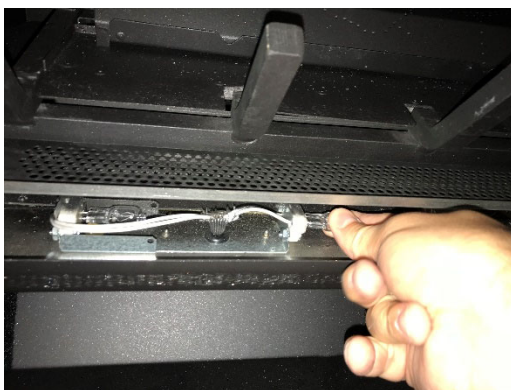
The accent lights in your fireplace provide additional lighting. The bulbs will burn out over time. Replace the halogen bulbs with the following bulbs:

To replace, follow the directions below:

- Shut off gas to the fireplace and let it cool for 15 minutes.
- Remove the barrier screen and glass assembly (see page 21).
- Remove the media tray skirt.

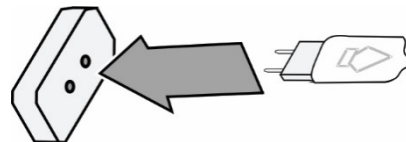


- Locate the burned out bulb and remove it from the socket by pulling the bulb directly away from socket (do not twist).



- Gently insert the pins on the replacement bulb into the holes on the socket.

**(NOTE:** .Take care to not touch the replacement bulbs with your fingers – use foam packing or paper towel to hold the bulb)



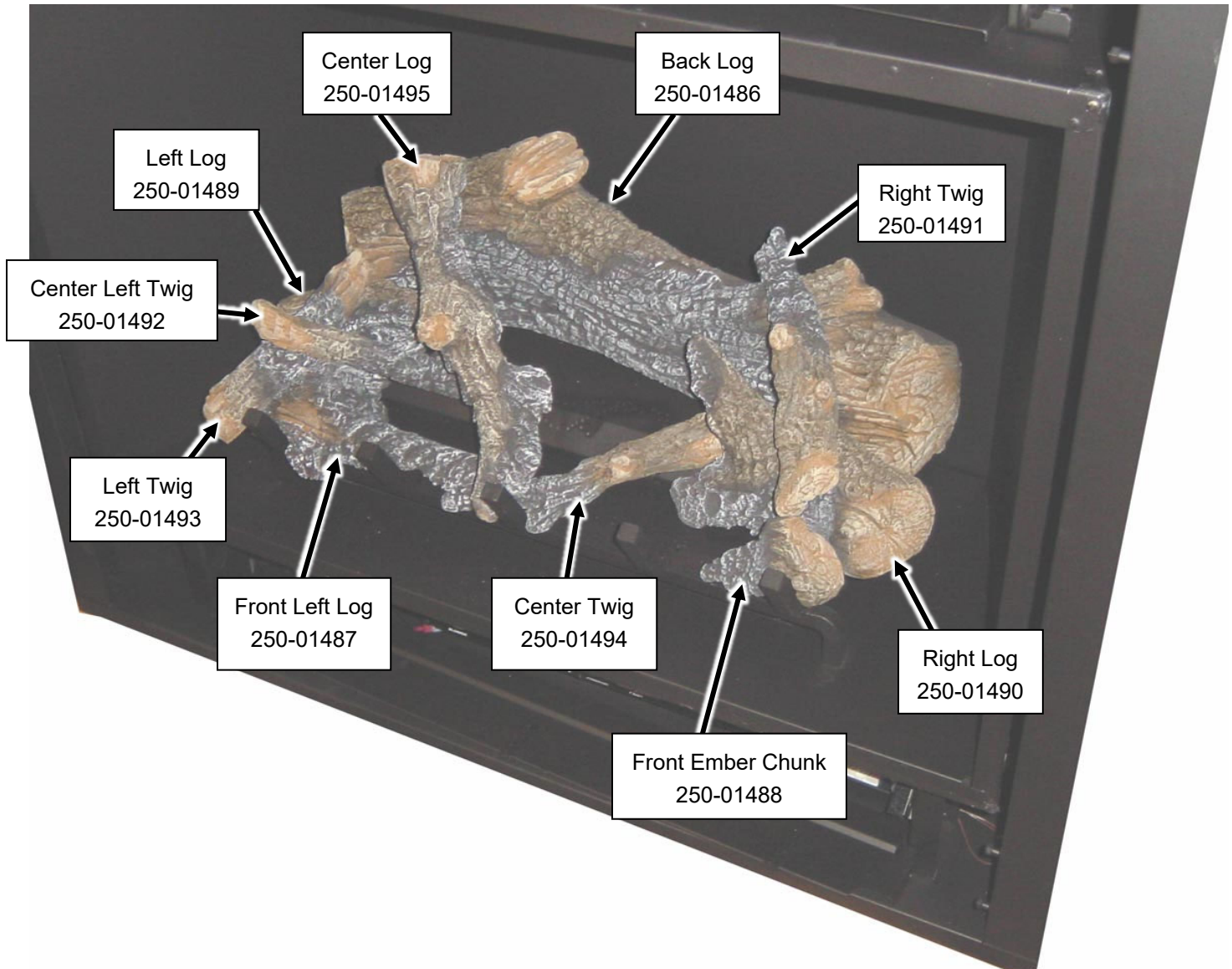
- Return the fireplace to its correct configuration.

### ***Classic Log Set Installation (94500721)***

**NOTE:** Other log sets are available – see the instructions included with the logs for details.

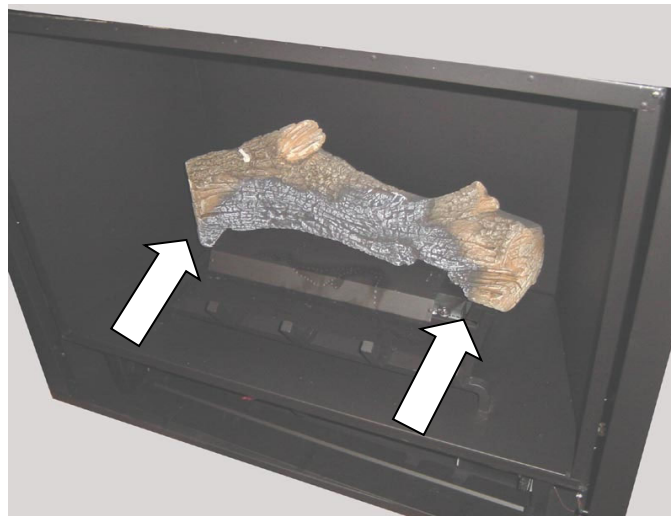
#### **Classic Log Set Overview**

When installed, the ten (10) logs should appear as shown below. The directions on the following pages detail the installation of this log set.



## Back Log

The back log has two pockets that insert over two tabs on the back burner (see photos below). Place the log in place and push it back. The log straddles the burner and does not cover any burner holes.



## Right Log

The right log has a channel on the bottom that fits over the grate. Place the log in place and slide it to the rear.



### Front Left Log

The front left log has a channel that fits over the grate. When in place the knob on the front of the log fits over the grate as well.



### Left Log

The left log has a channel on the bottom. Place this channel over the grate. When in place, make sure the log is positioned so it does not block any burner holes.



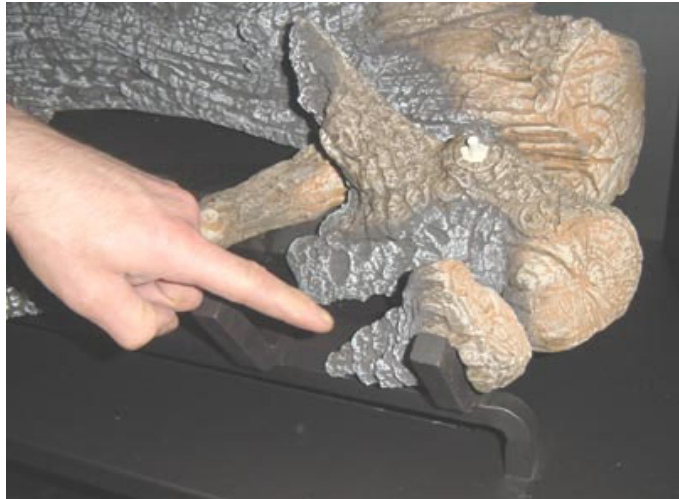
## Center Twig

The center twig is shown below. It has a pin on the bottom side. When in place, the fork on the front straddles the grate and the pin rests on the rear burner (make sure it is not over any burner holes).



## Front Ember Chunk

The front ember chunk has a groove on the bottom that fits over the grate. Place it as shown below.



### Left Twig

The left twig has a hole on the bottom that fits over the pin on the front left log. Place the twig as shown below. The front left log has a groove that will point the twig upwards and to the right.



### Center Left Twig

The left center twig is flat on the bottom and has a fork at one end. Place the twig as shown below. Note how the twig rests in the groove in the front left log and the fork lies directly on the bend in the rear burner. Make sure the twig is positioned so it does not cover any burner holes.



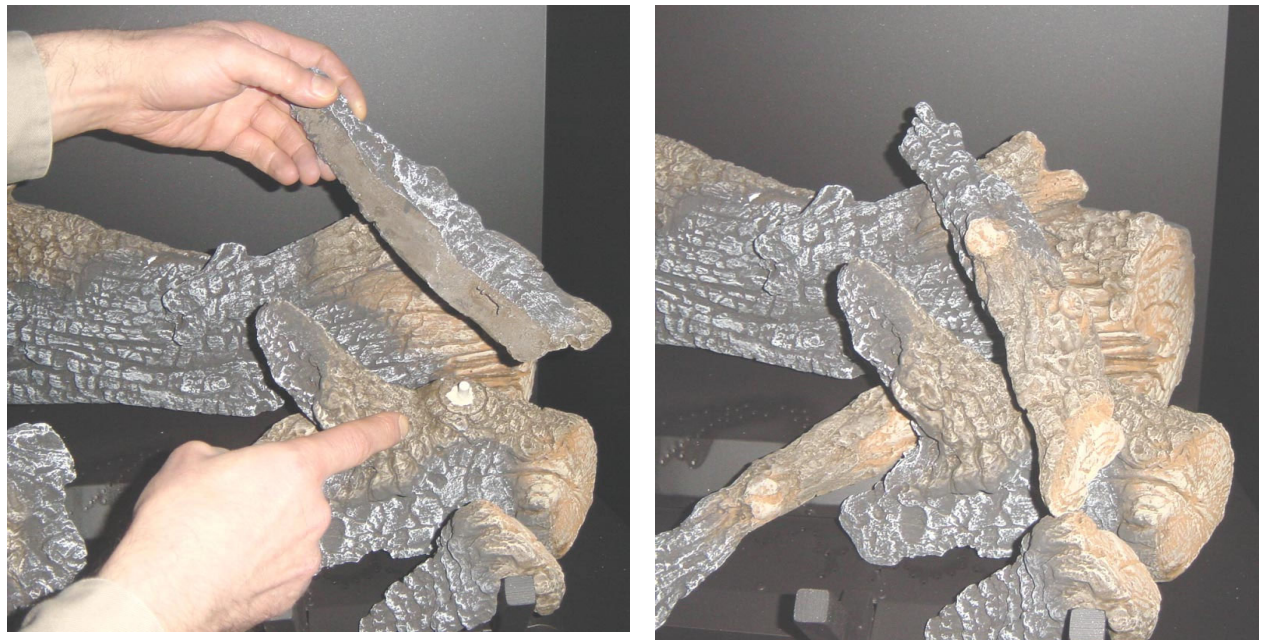
## Center Log

The center log has a hole on the back and a fork on the front. Position the log so this fits over the pin on the back log. Make sure the fork on the front of the log fits over the grate as shown below.



## Right Twig

The right twig has a hole on the bottom that fits over the pin on the right log. Position the twig so it rests on the back log as shown below.



### Ember Installation

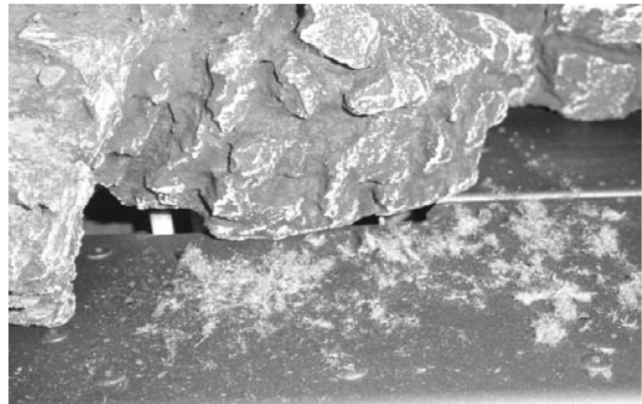
A bag of embers is provided to further enhance the firebox. Place the embers on the firebox floor and on the burner. Do not place embers over any of the burner holes or air channels.

**NOTE:** Make sure no ember material is placed directly on the burner.



### Rock Wool Placement

The included rock wool is placed on top of the burner to enhance the glow from the burner. **The rock wool works best when it is applied in a very thin, porous layer.** The best method for applying the rock wool is to brush it onto the burner. Compress a clump of rockwool between your thumb and forefinger. Use a stiff brush to apply a thin layer of rockwool fibers onto the burner. Do not use the entire bag of rockwool. Use only a small amount and save the remainder. Over-use of rockwool will diminish the glow and may cause sooting or other adverse conditions.

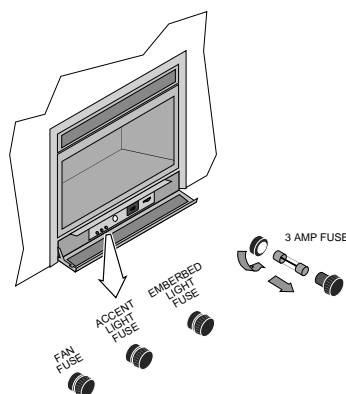




## Troubleshooting Table

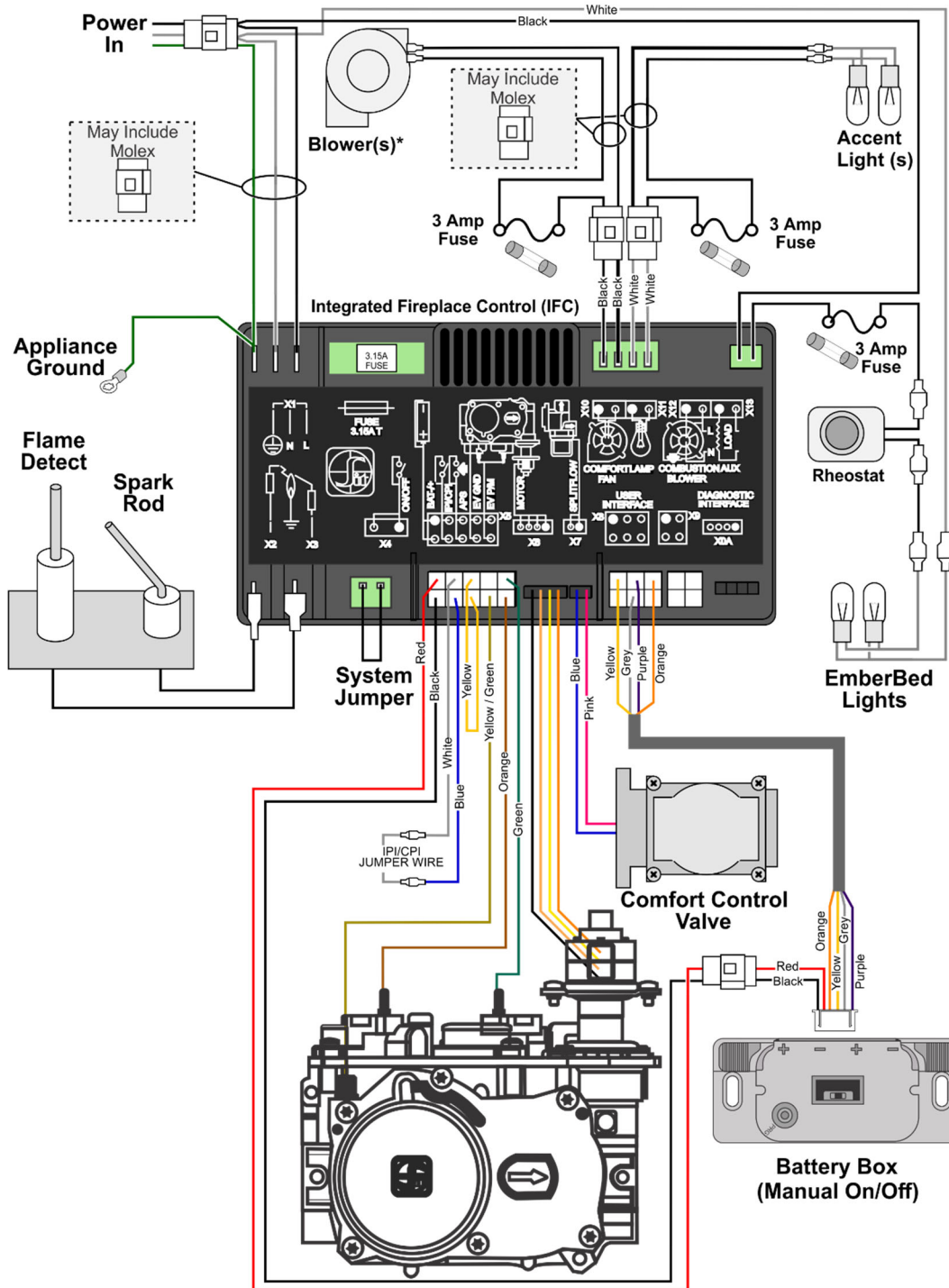
Problem:	Possible Cause:	Don't Call for Service Until You:
<b>Main Burners Will Not Start</b>	The battery box switch is turned to "OFF" ..... The remote control is not working correctly..... The thermostat is disconnected or set too low..... No Propane in Tank.....	Turn the battery box switch to "ON" See the remote control instructions See "Thermostat Operation" Check Tank Level
<b>Appliance Beeps</b>	<u>Heater beeps once:</u> The heater beeps once whenever a button on the remote is pressed..... <u>Heater beeps twice:</u> The heater beeps twice whenever a button on the remote is pressed.....	THIS IS NORMAL  The power backup batteries are low. Replace the 4 AA batteries in the battery box (see page 16).
<b>Thermostat Does Not Work</b>	The battery box switch is turned to "OFF" ..... The thermostat is set too low.....	Turn the battery box switch to "ON" Check thermostat
<b>Blower Does Not Work</b>	The fireplace is not getting electricity..... The fireplace has not been on long enough..... The blower fuse may be blown.....	Check the breaker switch Let the fireplace burn for 5 minutes Replace the fuse. See fuse location below.
<b>Flames Are Too Blue</b>	The fireplace has just been started..... Improper air shutter adjustment.....	This is normal - see "Starting the Fireplace for the First Time" Adjust Air Shutter - contact your dealer
<b>Flames Are Too Short (Under 6")</b>	The flame height may be turned too low.....	Turn the flame height to "HI" - See "Adjusting the Flame Height"
<b>Comfort Control Does not Work</b>	The AA batteries may be dead.....	Replace the AA batteries (see page 16)
<b>Thin Layer of Soot Covers the Glass</b>	The logs or coals are placed incorrectly..... Improper air shutter adjustment.....	See "Media (logs or stones) Installation" Adjust Air Shutter - contact your dealer
<b>Accent Light Does Not Work</b>	The bulb may be burned out. .... The accent light fuse may be blown.....	See "Accent Light Replacement" Replace the fuse. See fuse location below.

### Location of fuses (3 amp):



Wiring Diagram

**Caution:** Label all wires prior to disconnection when servicing controls. Wiring errors can cause improper and dangerous operation.



Replacement Parts List

- Caution:** Use only Travis Industries replacement parts. Do not use substitute materials.
- Warning:** Do not operate appliance with the glass front removed, cracked, or broken. Replacement of the glass should be done by a licensed or qualified service person.

Contact your local Travis Industries Dealer for a Replacement Parts List

## Safety Label



**864 TV 40K / CF**  
 Vented Gas Fireplace Heater  
 Le Gaz donné vent Cheminée  
 Appareil de chauffage  
 Certified for USA and Canada  
 Certifié pour les États-Unis et le Canada



Certified to: ANSI Z21.88-19/CSA 2.33:19 "Vented Gas Fireplace Heater", CGA 2.17-2017 "Gas Burning Heating Appliances for Manufactured Homes", and CSA P.4.1-15 Testing method for measuring annual fireplace efficiency.

This appliance must be installed in accordance with local codes, if any; if none, follow the National Fuel Gas Code, ANSI Z223.1/NFPA 54, or Natural Gas and Propane Installation Codes, CSA B149.1.

This appliance must be installed in accordance with the current Standard CAN/CSA Z240 MH, Mobile Housing, in Canada or with the Manufactured Home Construction and Safety Standard, Title 24 CFR, Part 3280, in the United States, or when such a standard is not applicable, ANSI/NCSCS A225.1/NFPA 501A, Manufactured Home Installation Standard.

This vented gas fireplace heater is equipped at the factory for use with natural gas. If conversion to propane (LP) is desired, the optional factory conversion kit must be used. Part No. 250-04749 regulator kit may be used.

This appliance is only for use with the type of gas indicated on the rating plate and may be installed in an aftermarket, permanently located, manufactured home (USA only) or mobile home, where not prohibited by local codes. See owner's manual for details. This appliance is not convertible for use with other gases, unless a certified kit is used.

This vented gas fireplace heater is not for use with air filters.

Keep burner and control compartment clean. See installation and operating instructions accompanying appliance.

**THIS APPLIANCE MUST BE PROPERLY CONNECTED TO A VENTING SYSTEM IN ACCORDANCE WITH THE MANUFACTURER'S INSTALLATION INSTRUCTIONS.** Use only approved coaxial direct vent system to vent this appliance to the exterior. See owner's manual for approved brands of venting.

If the vent-air intake system is disconnected for servicing or any other reason, it must be resealed and / or reinstalled.

**WARNING:** Improper installation, adjustment, alteration, service or maintenance can cause injury or property damage. Refer to the owner's information manual provided with this appliance. For assistance or additional information consult a qualified installer, service agency or the gas supplier.

VENTED GAS FIREPLACE HEATER  
 NOT FOR USE WITH SOLID FUEL

### Minimum Clearances to Combustibles

Fireplace to Adjacent Wall	1" (26mm)
Wood Floor Beneath Fireplace	0" (0mm)
Back to Enclosure	0.5" (13mm)
Base of Fireplace to Enclosure Top	See Owner's Manual
Sides to Enclosure	0.5" (13mm)
Base of Fireplace to a Mantel	See Owner's Manual

### FAN TYPE VENTED CIRCULATOR

Blower Electrical Rating: 120V AC, 1.5 Amps, 60 Hz, 150 Watts

Part No. 250-00031 / 250-00032 fan or blower assembly may be used.

**DANGER!** Risk of Electric Shock. Disconnect power before servicing unit.

	PROPANE	N.G.
Input Rate on "HI" (BTU/Hr)	40,000	40,000
Input Rate on "LO" (BTU/Hr)	12,000	11,000
Orifice Size - Front (DMS)	#55	#43
Orifice Size - Rear (DMS)	#C55	#43
Minimum Inlet Pressure (inches W.C.)	11"	5.5"
Maximum Inlet Pressure (inches W.C.)	13"	7"
Manifold Pressure on "HI" (inches W.C.)	11"	3.5"

This appliance is equipped for use only at altitudes 0-2,000 feet (0-610m) in the USA, in Canada, 0-4,500 feet (0-1370m).

For altitudes above 2,000 feet, the vent configuration, orifice, or combination of both may need to be changed.

See owner's manual for information on making these changes.

**WARNING:** Failure to install this appliance per the manufacturer's instructions or failure to use only parts specifically approved with this appliance may result in property damage or personal injury.

### MANUFACTURE DATE:

<input type="checkbox"/> 2021	<input type="checkbox"/> Jan.	<input type="checkbox"/> Apr.	<input type="checkbox"/> Jul.	<input type="checkbox"/> Oct.
<input type="checkbox"/> 2022	<input type="checkbox"/> Feb.	<input type="checkbox"/> May	<input type="checkbox"/> Aug.	<input type="checkbox"/> Nov.
<input type="checkbox"/> 2023	<input type="checkbox"/> Mar.	<input type="checkbox"/> Jun.	<input type="checkbox"/> Sep.	<input type="checkbox"/> Dec.

## CAUTION:

Do not operate this appliance with glass removed, cracked or broken. Replacement of the panel(s) should be done by a licensed or qualified service person.

Certifiés: ANSI Z21.88-19/CSA 2.33:19 « A Donnée vent de l'Appareil de chauffage de Cheminée de Gaz », adaptateur de graphique couleur CSA 2.17-2017 « Le Gaz Brûlant Appareils Chauffage pour les Maisons Fabriquées », et la méthode d'Essai de P.4.1-15 DE CSA pour l'efficacité de cheminée annuelle à mesurer.

Cet appareil doit être conformément installé aux codes locaux, si n'importe lequel; si aucun, suivre le Code de Gaz de Carburant National, ANSI Z223.1/NFPA 54, ou Gaz Naturels et les Codes d'Installation de Propane, CSA B149.1.

Cet appareil doit être conformément installé au BOITE/CSA Standard actuel Z240 MH, Le Logement Mobile, au Canada ou avec les Constructions de Maison Fabriquées et la Norme de Sécurité, le Titre 24 CFR, la Partie 3280, aux États-Unis, ou quand une telle norme n'est pas applicable, ANSI/NCSCS A225.1/NFPA 501A, Norme d'Installation de Maison Fabriquée.

Ceci a donné vent de l'appareil de chauffage de cheminée de gaz est équipé à l'usine pour l'usage avec le gaz naturel. Si la conversion au propane (LP) est désiré, la trousse de conversion d'usine facultative doit être utilisée. La partie No 250-04749 régulateur peut être utilisé.

Cet appareil est seulement pour l'usage avec le type de gaz indiqué sur la plaque de classement et pourrait être installé dans une maison tiers d'une façon permanente localisée et fabriquée (USA seulement) ou la maison mobile, où pas interdit par les codes locaux. Voir le manuel du propriétaire pour les détails. Cet appareil n'est pas convertible pour l'usage avec les autres gaz, à moins qu'une trousse certifiée est utilisée.

Ceci a donné vent de l'appareil de chauffage de cheminée de gaz n'est pas pour l'usage avec les filtres à air.

Garder le compartiment de brûleur et contrôle nettoie. Voir l'installation et les instructions opérantes qui accompagnent l'appareil.

**CET APPAREIL DOIT ÊTRE CONVENABLEMENT CONNECTÉ À UN SYSTÈME D'ONNER VENT CONFORMÈMENT AUX INSTRUCTIONS D'INSTALLATION DU FABRICANT.** Utiliser le système de conduit direct, coaxial et seulement approuvé pour donner vent cet appareil à l'extérieur. Voir le manuel du propriétaire pour les marques approuvées de donner vent.

Si le système de prise de conduit-air est débranché pour entretenir ou aucune autre raison, il doit être rescellée et / ou réinstallé.

L'APPAREIL DE CHAUFFAGE DONNE VENT DE CHEMINÉE DE GAZ  
 PAS POUR L'USAGE AVEC LE COMBUSTIBLE SOLIDE

### Dégagements Minimums à Combustible

La cheminée au mur adjacent	1" (26mm)
Le plancher en bois en dessous de la cheminée	0" (0mm)
De retour à la clôture	0.5" (13mm)
Base du foyer au dessus du boltier	***
Les côtés à la clôture	0.5" (13mm)
La base de cheminée à un manteau de cheminée	***

(\*\*\* Voir le manuel du propriétaire)

### EVENTER LE TYPE A DONNE VENT CIRCULATEUR

La soufflerie Classement Electrique: 120V AC, 1,5 Amps, 60 Hz, 150 Watts

La partie No 250-00031 / 250-00032 assemblée de ventilateur ou soufflerie pourrait être utilisée.

**¡PELIGRO!** El riesgo de Descarga eléctrica. Desconecte el poder antes de atender a la unidad.

	PROPANE	G.N.
Taux d'entrée sur « HI » (BTU/Hr)	40,000	40,000
Taux d'entrée sur « LO » (BTU/Hr)	12,000	11,000
La Taille d'orifice - Le Devant (DMS)	#55	#43
La Taille d'orifice - l'Arrière (DMS)	#C55	#43
La Pression minimum d'Arrivée (inches W.C.)	11"	5.5"
La Pression maximum d'Arrivée (inches W.C.)	13"	7"
Diverse Pression sur « HI » (inches W.C.)	11"	3.5"

Cet appareil est équipé pour l'usage seulement aux altitudes 0-2,000 pieds (0-610m) dans l'USA, Au Canada, 0-4,500 pieds (0-1370m).

Pour les altitudes au-dessus de 2,000 pieds, la configuration de conduit, l'orifice, ou la combinaison des deux peut avoir besoin d'être changé.

Voir le manuel du propriétaire pour les informations sur faire ces changements.

**AVERTISSEMENT :** L'installation déplacée, l'ajustement, le changement, le service ou l'entretien peuvent causer les dommages de blessure ou propriété. Se référer au manuel d'informations du propriétaire fourni avec cet appareil. Pour obtenir de l'aide ou les informations supplémentaires consultez un programme d'installation, une agence de service ou le fournisseur de gaz qualifié.

**AVERTISSEMENT :** L'échec pour installer cet appareil par les instructions du fabricant ou l'échec pour utiliser seulement des parties ont approuvé en particulier avec cet appareil peut avoir pour résultat les dommages de propriété ou la blessure personnelle.

## PRUDENCE:

Ne pas fonctionner cet appareil avec le verre enlevé, craqué ou cassé. Le remplacement des panneaux devrait être fait par une personne de service autorisée ou qualifiée.

Register your TRAVIS INDUSTRIES, INC. Limited 7 Year Warranty online at [traviswarranty.com](http://traviswarranty.com). TRAVIS INDUSTRIES, INC. warrants this gas appliance (appliance is defined as the equipment manufactured by Travis Industries, Inc.) to be defect-free in material and workmanship to the original purchaser from the date of purchase as follows:

Check with your dealer in advance for any costs to you when arranging a warranty call.  
Mileage or service charges are not covered by this warranty. This charge can vary from store to store.

Component	Years 1 & 2 Parts & Labor	Years 3 Through 5 Parts & Labor	Years 6 & 7 Parts Only
<b>Burner Assembly</b> Burner Pan Assembly, Air Shutter Assembly, Main Burner Orifice	✓		
<b>Electrical Assembly (within heater structure):</b> Wiring harness, snap discs, rheostat speed control	✓		
<b>Gas Control Assembly</b> Adjustable control valve, fireplace controller, pilot assembly and pilot wiring	✓		
<b>Glass</b> Glass (breakage from thermal shock)	✓		
<b>Media</b> Embers, Logs, Stones, Crushed Glass	✓		
<b>Gold, Nickel &amp; Copper Plating</b> Face & Door (see "Conditions and Exclusions" # 9)	✓		
<b>Accessories</b> Firebacks, Power Heat Ducts, Andirons, etc...	✓		
<b>One-Way Freight Allowance</b> One-way freight allowance on pre-authorized repair done at factory is covered.	✓	✓	
<b>Convection Heat Exchanger</b> Convection heat exchanger assembly	✓	✓	
<b>Firebox Assembly</b> Adjustable Air Restrictor, Pressure Relief Mechanisms, Glass Attachment Mechanism	✓	✓	✓

#### EXCLUDED COMPONENTS:

Paint, Gasketing, and Accent Light Bulbs

## CONDITIONS & EXCLUSIONS

- This new gas appliance must be installed by a qualified gas appliance technician. It must be installed, operated, and maintained at all times in accordance with the instructions in the Owner's Manual. Any alteration, willful abuse, accident, neglect, or misuse of the product shall nullify this warranty.
- This warranty is non-transferable and is made to the ORIGINAL purchaser, provided that the purchase was made through an authorized TRAVIS dealer.
- Discoloration and some minor expansion, contraction, or movement of certain parts and resulting noise, is normal and not a defect and, therefore, not covered under warranty. The installer must ensure the appliance is burning as per the rating tag at the time of installation. Over-firing (operation above the listed BTU rate) of this appliance can cause serious damage and will nullify this warranty.
- The warranty, as outlined within this document, does not apply to the chimney components or other Non-Travis accessories used in conjunction with the installation of this product. If in doubt as to the extent of this warranty, contact your authorized TRAVIS retailer before installation.
- Travis Industries will not be responsible for inadequate performance caused by environmental conditions such as nearby trees, buildings, rooftops, wind, hills or mountains or negative pressure or other influences from mechanical systems such as furnaces, fans, clothes dryers, etc.
- This Warranty is void if:
  - The unit has been operated in atmospheres contaminated by chlorine, fluorine or other damaging chemicals.
  - The unit is subject to submersion in water or prolonged periods of dampness or condensation.
  - Any damage to the unit, combustion chamber, heat exchanger or other components due to water, or weather damage which is the result of, but not limited to, improper chimney/venting installation.
- Exclusions to this 7 Year Warranty include: injury, loss of use, damage, failure to function due to accident, negligence, misuse, improper installation, alteration or adjustment of the manufacturer's settings of components, lack of proper and regular maintenance, damage incurred while the appliance is in transit, alteration, or act of God.
- This 7 Year warranty excludes damage caused by normal wear and tear, such as paint discoloration or chipping, worn or torn gasketing, corroded or cracked logs, embers, etc. Also excluded is damage to the unit caused by abuse, improper installation, modification of the unit, drilling of the orifices, or the use of fuel other than that for which the unit is configured. Units are shipped for natural gas and must be converted to propane using the included conversion kit. Confirm fuel configuration with your installer.
- Damage to gold or nickel surfaces caused by fingerprints, scratches, melted items-, or other external sources left on the gold or nickel from the use of cleaners other than denatured alcohol is not covered in this warranty.
- TRAVIS INDUSTRIES, INC. is free of liability for any damages caused by the appliance, as well as inconvenience expenses and materials. Incidental or consequential damages are not covered by this warranty. In some states, the exclusion of incidental or consequential damage may not apply.
- This warranty does not cover any loss or damage incurred by the use or removal of any component or apparatus to or from the gas appliance without the express written permission of TRAVIS INDUSTRIES, INC. and bearing a TRAVIS INDUSTRIES, INC. label of approval.
- Any statement or representation of TRAVIS products and their performance contained in TRAVIS advertising, packaging literature, or printed material is not part of this 7 year warranty.
- This warranty is automatically voided if the appliance's serial number has been removed or altered in any way. If the appliance is used for commercial purposes, it is excluded from this warranty.
- No dealer, distributor, or similar person has the authority to represent or warrant TRAVIS products beyond the terms contained within this warranty. TRAVIS INDUSTRIES, INC. assumes no liability for such warranties or representations.
- Travis Industries will not cover the cost of the removal or re-installation of hearths, facing, mantels, venting or other components.
- If for any reason any section of this warranty is declared invalid, the balance of the warranty remains in effect and all other clauses shall remain in effect.
- THIS 7 YEAR WARRANTY IS THE ONLY WARRANTY SUPPLIED BY TRAVIS INDUSTRIES, INC., THE MANUFACTURER OF THE APPLIANCE. ALL OTHER WARRANTIES, WHETHER EXPRESS OR IMPLIED, ARE HEREBY EXPRESSLY DISCLAIMED AND PURCHASER'S RECOURSE IS EXPRESSLY LIMITED TO THE WARRANTIES SET FORTH HEREIN.**

## IF WARRANTY SERVICE IS NEEDED:

- If you discover a problem that you believe is covered by this warranty, you MUST REPORT it to your TRAVIS dealer WITHIN 30 DAYS, giving them proof of purchase, the purchase date, and the model name and serial number.
- Travis Industries has the option of either repairing or replacing the defective component.
- If your dealer is unable to repair your appliance's defect, he may process a warranty claim through TRAVIS INDUSTRIES, INC., including the name of the dealership where you purchased the appliance, a copy of your receipt showing the date of the appliance's purchase, and the serial number on your appliance. At that time, you may be asked to ship your appliance, freight charges prepaid, to TRAVIS INDUSTRIES, INC. TRAVIS INDUSTRIES, INC., at its option, will repair or replace, free of charge, your TRAVIS appliance if it is found to be defective in material or workmanship within the time frame stated within this 7 year warranty. TRAVIS INDUSTRIES, INC. will return your appliance, freight charges (years 1 to 5) prepaid by TRAVIS INDUSTRIES, INC., to your regional distributor, or dealership.
- Check with your dealer in advance for any costs to you when arranging a warranty call. Mileage or service charges are not covered by this warranty. This charge can vary from store to store.







Accent Light Bulb Replacement.....	24	Log Installation.....	26
Barrier Removal.....	21	Low Battery Indicator.....	15
Battery Replacement.....	16	Normal Operating Odors.....	17
Before You Begin.....	6	Normal Operating Sounds.....	17
Child-Proof Feature.....	17	Pilot Fuel Conservation Timer.....	10
Direct Operation.....	8	Power Outages.....	16
Display Fahrenheit or Celsius.....	14	Remote Control Warnings.....	6
Face Installation and Removal.....	20	Remote Operation.....	11
Glass Cleaning.....	24	<b>Remote Set-Up</b> .....	7
Glass Frame Removal and Installation.....	22	Replacement Parts List.....	34
Grill Installation and Removal.....	19	Rock Wool Placement.....	32
Installation Warnings.....	2	Starting the Fireplace for the First Time.....	9
Intermittent/Continuous Pilot.....	9	Troubleshooting Table.....	33
Location of Controls.....	8	Wiring Diagram.....	34

### Want to know more?

Scan this code with a QR reader on your cell phone or use the URL below to watch a video of how to use the GreenSmart® remote.



<https://vimeo.com/84052701>