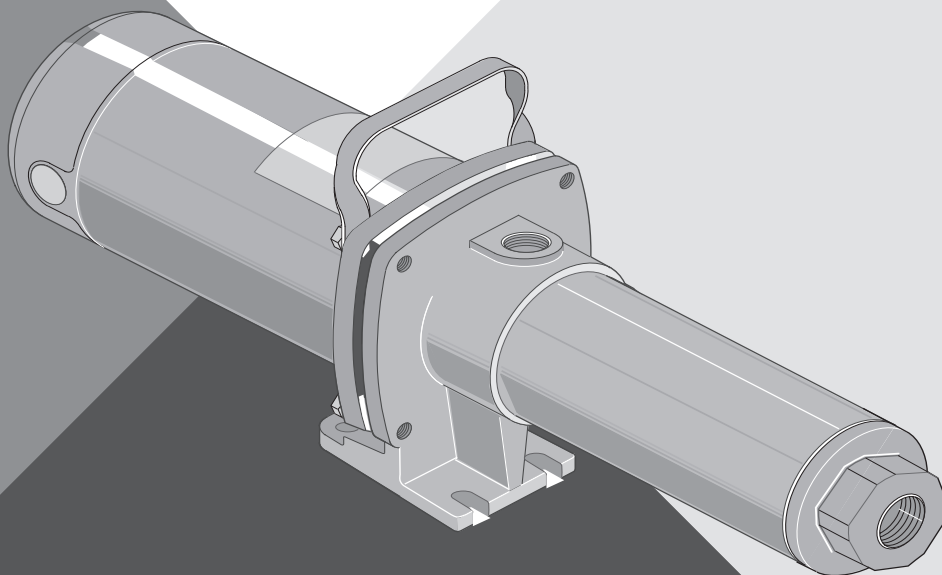




# PRO HIGH PRESSURE BOOSTER PUMPS

## 60 HZ, 1/2 - 3 HP MODELS

ENGLISH: 1-20 • FRENCH: 21-40 • SPANISH: 41-60



# INSTALLATION AND OPERATION MANUAL

[pentair.com](http://pentair.com)

# TABLE OF CONTENTS

---

SAFETY INFORMATION ..... 3

INSTALLATION AND OPERATION ..... 4

ELECTRICAL ..... 6

MAINTENANCE ..... 9

PARTS LIST..... 12


WARRANTIES..... 16


# SAFETY INFORMATION


---


## SAFETY SYMBOLS

To avoid risk of serious bodily injury and property damage, read safety instructions carefully before installing pump.

 This is the safety alert symbol. When you see this symbol on your pump or in this manual, look for one of the following signal words and be alert to the potential for personal injury:


 **DANGER** indicates a hazard which, if not avoided, will result in death or serious injury.

 **WARNING** indicates a hazard which, if not avoided, can result in death or serious injury.

 **CAUTION** indicates a hazard which, if not avoided, can or may result in minor or moderate injury.

The word **NOTE** indicates special instructions that are important but not related to hazards.

## CALIFORNIA PROPOSITION 65 WARNING

 **WARNING** This product and related accessories contain chemicals known to the State of California to cause cancer, birth defects or other reproductive harm.

## GENERAL SAFETY

Carefully read and follow all safety instructions in this manual and on pumps. Keep safety labels in good condition. Replace missing or damaged safety labels.


"Intermittent Duty" is defined as operated and/or frequently started within a period of time that would cause the motor to reach its maximum thermal limits. Once the maximum thermal limit is obtained, the motor must be allowed to return to ambient temperature before resuming operation.


**DO NOT** use to pump flammable liquids. Never operate the pump in an explosive environment. Arcing from the motor brushes, switch or excessive heat from an improperly cycled motor may cause an explosion.

**DO NOT** assume fluid compatibility. If the fluid is improperly matched to the pump's elastomers, a leak may occur. Pumps used to transfer hazardous or hot (max. temperature 170°F [76°C] Viton® only) chemicals must be in a vented area to guard against the possibility of injury due to harmful or explosive liquid/vapors.

**DO NOT** operate the pump at pressures which cause the motor to exceed the ampere rating indicated on the name plate. Various pump models are equipped with thermal breakers to interrupt operation due to excessive heat. Once the temperature of the motor is within proper limits it will automatically reset, and the pump will start operation without warning.

**DO NOT** allow pump or any system component to freeze. To do so may damage system and will void warranty.

 **CAUTION BURN HAZARD.** Do not touch an operating motor. Modern motors can operate at high temperatures. To avoid burns when servicing pump, allow it to cool for 20 minutes after shut-down before handling.

 **WARNING HAZARDOUS PRESSURE. DO NOT** run the pump with discharge shutoff, as hose may burst or pump may be damaged due to high temperatures.

Pump is non-submersible. Keep motor dry at all times. Do not wash motor. Do not immerse. Protect motor from wet weather.

**USE HIGH PRESSURE REINFORCED TYPE DISCHARGE HOSE ONLY.** See parts list for available hose, nozzle and fittings. A high pressure relief valve is recommended.

**DO NOT** use garden hose with pump. Garden hose will not stand the discharge pressure produced and will fail.


High pressure discharge stream is dangerous. To avoid injury, **DO NOT** aim the discharge stream at any person or animal.


Be sure that the pump suction pipe pressure plus the pump discharge pressure does not exceed the pressure rating of hose and fittings. See manual for pump discharge pressure ratings.


## ELECTRICAL SAFETY

To prevent electrical shock, disconnect power before initiating any work. In the case of pump failure, the motor housing and/or the pumped fluid may carry high voltage to components normally considered safe.

Follow local and/or national plumbing and electrical codes when installing.

 Unplug pump before servicing.

 Some models of pump are supplied with 3-connector grounding type cord. Connect only to properly grounded, GFCI protected outlet. Do not lift pump by electrical cord.

 If using extension cord, use only UL approved indoor/outdoor, 3-wire, grounding type cord. Do not allow any part of cord or receptacle ends to sit in water or damp locations.

# INSTALLATION & OPERATION

## INSTALLATION

This pump is designed to boost water pressure to create a high pressure stream. If an existing pressure water system is to be used as a water supply, it can be connected with available fittings and 3/4" or 1" high pressure hose to the pump inlet. A special heavy duty 3/4" or 1" suction hose with fittings is available as an accessory.

If pump is permanently mounted on wall, use a 3/4" or 1" pipe or heavy-duty hose for suction line. 20 GPM models require one-inch discharge hose to reduce friction losses and 30 GPM models require 1-1/4".

Maximum inlet pressure is 80 PSI. Maximum discharge pressure is 315 PSI. Warranty is void if these pressure limits are exceeded.

## DISCHARGE PRESSURES

Consult the following table for acceptable discharge pressures.

For total discharge pressure, add this pressure to suction pipe pressure. For example, an HP7C pump taking suction from a 100 psi water service line will produce  $130 + 100 = 230$  psi total discharge pressure at 0 GPM flow. If suction pressure drops to 50 psi, discharge pressure will drop to 180 psi.

GPM	HP	NO. OF STAGES	DISCHARGE PRESSURE PSI AT RATED FLOW	DISCHARGE PRESSURE PSI AT NO FLOW
7	1/2	9	90	130
7	3/4	12	123	173
7	1	16	162	229
10	1/2	6	74	113
10	3/4	8	97	147
10	1	10	134	188
10	1	11	146	202
10	1-1/2	14	173	206
10	2	16	197	260
20	1	7	75	110
20	1-1/2	9	97	143
20	2	11	123	175
20	3	15	195	250
30	1	5	59	75
30	1-1/2	6	71	91
30	2	7	81	106
30	3	11	129	167

Model numbers that include an "S" (HPS7C, HPS10D, etc) have a stainless steel suction, discharge assembly, and capscrews. Model numbers ending in "3" (HP7C3, HPS10C3, etc) have 3-phase motors. Model numbers ending in "T" have TEFC motors.

## HIGH PRESSURE BOOSTER PUMP INSTALLATION

The following instructions cover high pressure booster pump installations for configurations shown below.

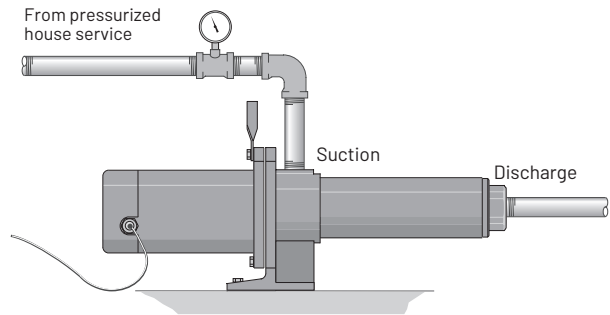


FIGURE 1 – HOUSE SERVICE CONNECTION

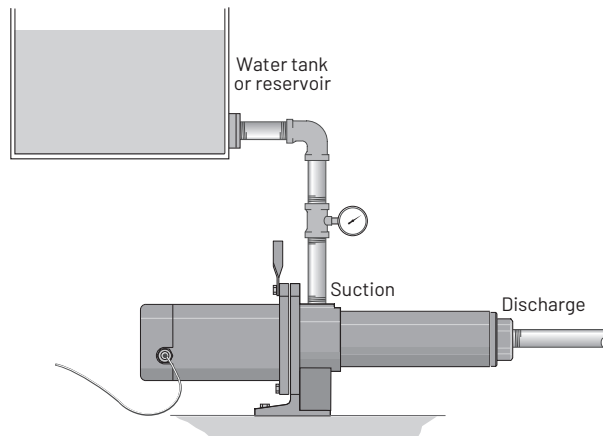


FIGURE 2 – WATER RESERVOIR CONNECTION

# INSTALLATION & OPERATION

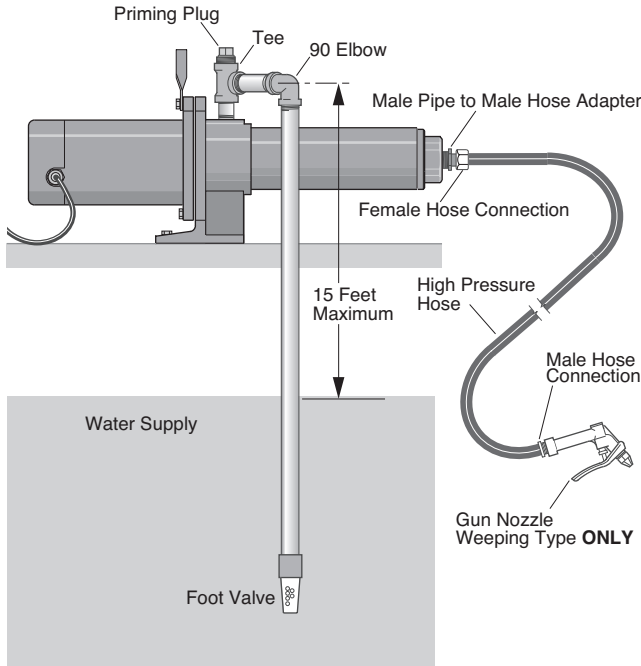


FIGURE 3 - CISTERN OR SHALLOW WELL INSTALLATION

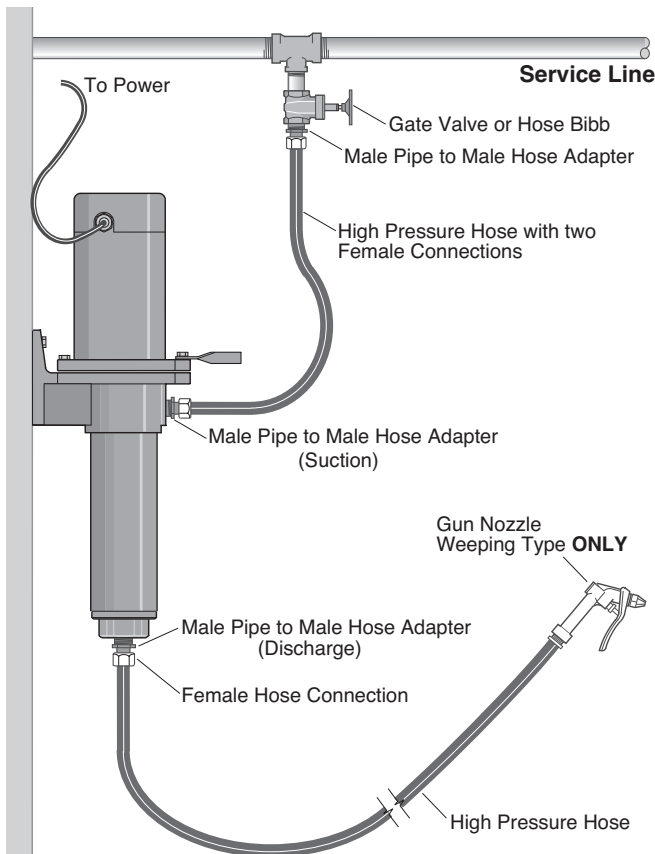


FIGURE 4 - WALL MOUNTED TO PRESSURIZED SERVICE LINE

To reduce friction losses to a minimum, inlet (suction) line should be short and have as few elbows as possible. Size the inlet according to the chart below:

AVE. GPM	THREADED INLET SIZE	RECOMMENDED INLET LINE SIZE	RECOMMENDED DISCHARGE LINE SIZE
7	3/4" NPT	1"	1"
10	3/4" NPT	1"	1"
20	1" NPT	1-1/4"	1-1/4"
30	1-1/4" NPT	1-1/2"	1-1/2"

An inlet strainer will prevent suspended debris from clogging pump.

The internal running surfaces of the pump and seals require water lubrication for good, consistent operation. Allowing pump to run dry will severely damage pump and seals.

Install a pressure gauge in pump inlet line. Keep at least two pounds per square inch pressure (2 PSI) in inlet line whenever pump is operating. If this is not possible, consult customer service representative.

## LUBRICATION

It is not necessary to lubricate pump or motor. The motor is equipped with sealed ball bearings, lubricated for the life of the bearing. The mechanical shaft seal in the pump is self-lubricating and requires no adjustment. Disassemble pump to replace seal (See "Maintenance", Pages 10 to 11).

## OPERATION

Observe the following precautions when operating the pump.

- ◆ Keep the motor dry! Do not direct stream from pump discharge onto the motor!
- ◆ **WARNING HAZARDOUS PRESSURE.** Do not run the pump with discharge shutoff, as hose may burst or pump may be damaged due to high temperatures.
- ◆ Do not use a standard trigger gun with this pump. Use only trigger guns with an automatic weeping feature. These are available as accessories and are provided with three nozzles. The smallest nozzle restricts the flow, allowing use of a smaller water source. The two larger nozzles are used if the water source will supply the pump's full capacity.
- ◆ **DO NOT** run pump dry; to do so may damage the seal.
- ◆ To avoid internal damage to pump, Do not operate with water temperature above 175° F.

# ELECTRICAL

## SINGLE PHASE, ODP MOTOR

### MOTOR SWITCH SETTINGS

Dual-voltage motors (motors that can operate at either 115 or 230 volts), are set at the factory to 230 volts. Do not change motor voltage setting if line voltage is 230 volts, or if you have a single voltage motor.

Models with power cords are pre-wired for 115 volts. This includes models HP7D-02 and HP7C-02. Never wire a 115 volt motor to a 230 volt line.

### REMOVE MOTOR END COVER

If you have a dual-voltage motor, and will connect it to 115 volts, follow the procedure below (see Figure 5).

Remove the motor end cover to change the voltage setting. Your motor terminal board (located under the motor end cover) should look like one of the following.

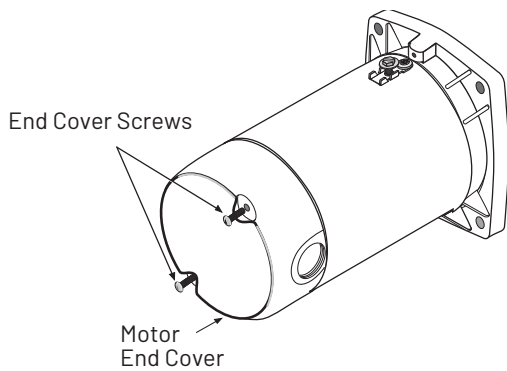


FIGURE 5 – MOTOR END COVER REMOVAL

### PLUG TYPE VOLTAGE SELECTOR

To change to 115 volts (see Figure 6):

1. Make sure power is off and pull the plug straight up.
2. Move and attach the plug at the 115 volt position. The plug will now cover 2 metal tabs. The arrow on the plug will point to 115V.
3. Attach the power lead wires to the power lead terminals, making sure the wires are secure.
4. Attach the ground wire to the green ground screw.
5. Reinstall the motor end cover.
6. Proceed to Wiring Connections section.

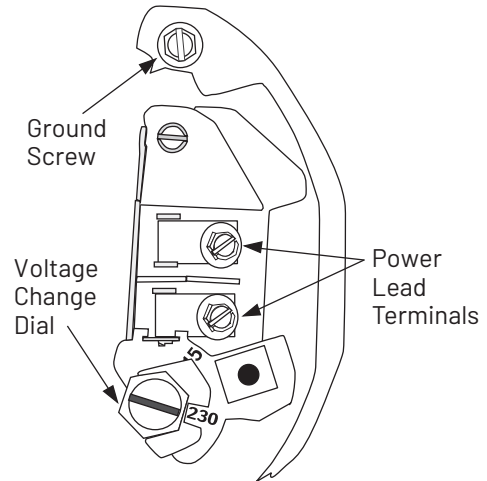


FIGURE 6 – VOLTAGE SET TO 230 VOLTS, PLUG TYPE

### DIAL TYPE VOLTAGE SELECTOR

To change to 115 volts (see Figure 7):

1. Make sure power is off.
2. Turn the dial counter-clockwise until 115 shows in the dial window.
3. Attach the power lead wires to the power lead terminals, making sure the wires are secure.
4. Attach the ground wire to the green ground screw.
5. Reinstall the motor end cover.
6. Proceed to Wiring Connections section.

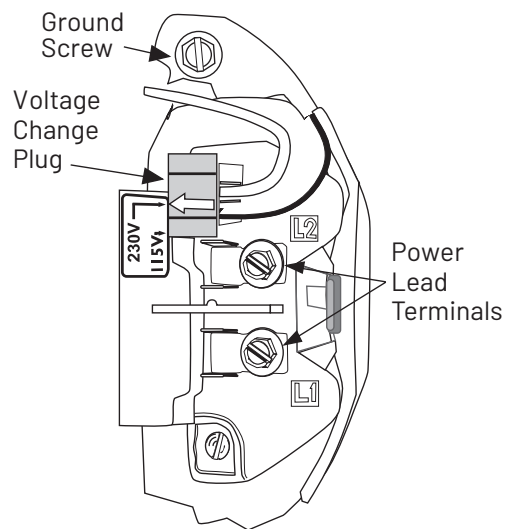


FIGURE 7 – VOLTAGE SET TO 230 VOLTS, DIAL TYPE

# ELECTRICAL

---

## WIRING CONNECTIONS

**⚠ DANGER** Ground motor before connecting to electrical power supply. Failure to ground motor can cause severe or fatal electrical shock hazard.

**⚠ WARNING** **EXPLOSION HAZARD.** Do not ground to a gas supply line.

**⚠ WARNING** To avoid dangerous or fatal electrical shock, turn power **OFF** to motor before working on electrical connections.

**⚠** Supply voltage must be within  $\pm 10\%$  of nameplate voltage. Incorrect voltage can cause fire or serious damage to motor and voids warranty. If in doubt consult a licensed electrician.

- ◆ For All 3-phase and TEFC Motors: Follow the wiring diagram on the motor junction box or on the motor nameplate.
- ◆ Use wire size specified in this manual's Wiring Chart. If possible, connect pump to a separate branch circuit with no other appliances on it.
- ◆ Wire motor according to diagram on motor nameplate. If nameplate diagram differs from diagrams above, follow nameplate diagram.
- ◆ Dual voltage motors without cords are factory wired for 230 volts. If necessary, reconnect the motor for 115 volts, as shown. All cord connected motors are wired for 115 volts. Do not alter the wiring in single voltage motors.
- ◆ Install, ground, wire and maintain this pump in compliance with the National Electrical Code (NEC) or the Canadian Electrical Code (CEC) and with all local codes and ordinances that apply. Consult your local building inspector for local information.
- ◆ Make sure that the voltage, frequency and phase (single phase or three phase) of the power supply agree with that stamped on the motor nameplate. If in doubt, check with the power company.
- ◆ Some models are equipped with three phase motors. Three phase motors require magnetic starters and can run in either direction, depending on how they are connected to the power supply.

## TO CHECK FOR PROPER ROTATION – 3 PHASE MOTORS

1. Be sure power is disconnected to motor when working on electrical connections.
2. Remove the motor end cover, exposing motor shaft. Momentarily start pump. If hookup is correct, the shaft will rotate clockwise.
3. If rotation is not clockwise, reverse any two leads to the starter. The rotation will now be correct.

## GROUNDING THE MOTOR

Ground the pump permanently using a wire of size and type specified by local or National Electrical Code.

### Models (HP7C and HP7D Series Only) with factory installed cord and plug:

This equipment is only for use on 115V and is equipped with an approved 3-conductor cord and 3-prong, grounding type plug. To reduce the risk of electric shock, be certain that it is connected to a properly grounded, grounding type receptacle. Do not modify or remove plug. Make sure pump circuit meets National Electrical Code. To avoid dangerous electrical shock hazard, keep cord dry at all times.

### Models without cord and plug:

1. Connect ground wire first. Connect the ground first, then to green grounding terminal provided under motor canopy (see Figures 6 and 7) identified as GRD. Make ground connection to this terminal. Do not connect motor to electrical power supply until unit is permanently grounded; otherwise serious or fatal electrical shock hazard may be caused.
2. For best ground connection, connect to a grounded lead in the service panel or to a metal underground water pipe or well casing at least 10 ft. long. If plastic pipe or insulated fittings are used, run ground wire directly to the metal well casing or use ground electrode furnished by the power company.

# ELECTRICAL

## RECOMMENDED FUSING AND WIRING

HP	PHASE	MOTOR TYPE	VOLTAGE	MAX. LOAD AMPS	BRANCH FUSE RATING AMP	WIRE LENGTH			
						0-100 (0-30)	101-200 (31-61)	201-300 (62-91)	301-400 (92-122)
						AWG WIRE SIZE (MM <sup>2</sup> )			
1/2	1	ODP	115/230	11.4/5.7	20/15	14/14 (2/2)	10/14 (5.5/2)	8/14 (8.4/2)	6/12 (14/3)
1/2	3	ODP	208-230/460	3.0/1.5	10/6	14/14 (2/2)	14/14 (2/2)	14/14 (2/2)	14/14 (2/2)
1/2	1	TEFC	115/230	8.6/4.3	20/10	14/14 (2/2)	12/14 (3/2)	10/14 (5.5/2)	8/14 (8.4/2)
1/2	3	TEFC	208-230/460	2.2-2.1/1.1	6/3	14/14 (2/2)	14/14 (2/2)	14/14 (2/2)	14/14 (2/2)
3/4	1	ODP	115/230	12.2/6.1	25/15	12/14 (3/2)	8/14 (8.4/2)	8/14 (8.4/2)	6/12 (14/3)
3/4	3	ODP	208-230/460	3.6/1.8	10/6	14/14 (2/2)	14/14 (2/2)	14/14 (2/2)	14/14 (2/2)
3/4	1	TEFC	115/230	13.2/6.6	30/15	12/14 (3/2)	10/14 (5.5/2)	8/14 (8.4/2)	6/14 (14/2)
3/4	3	TEFC	230/460	3.8/1.0	10/3	14/14 (2/2)	14/14 (2/2)	14/14 (2/2)	14/14 (2/2)
1	1	ODP	115/230	18.4/9.2	30/20	10/14 (5.5/2)	8/14 (8.4/2)	6/12 (14/3)	4/10 (21/5.5)
1	3	ODP	208-230/460	4.7/2.34	10/6	14/14 (2/2)	14/14 (2/2)	14/14 (2/2)	14/14 (2/2)
1	1	TEFC	230	6.9	15	14 (2)	14 (2)	14 (2)	12 (3)
1	3	TEFC	230/460	4.4/2.2	10/6	14/14 (2/2)	14/14 (2/2)	14/14 (2/2)	14/14 (2/2)
1-1/2	1	ODP	115/230	22.8/11.4	45/25	10/14 (5.5/2)	6/12 (14/3)	6/12 (14/3)	4/10 (21/5.5)
1-1/2	3	ODP	208-230/460	6.8/3.4	15/10	14/14 (2/2)	14/14 (2/2)	14/14 (2/2)	12/14 (3/2)
1-1/2	3	TEFC	230/460	5.8/2.9	15/6	14/14 (2/2)	14/14 (2/2)	14/14 (2/2)	14/14 (2/2)
2	1	ODP	115/230	22/11	45/25	10/14 (5.5/2)	8/12 (8.4/3)	6/12 (14/3)	4/10 (21/5.5)
2	3	ODP	208-230/460	8.5/4.25	20/10	14/14 (2/2)	14/14 (2/2)	12/14 (3/2)	12/14 (3/2)
2	1	TEFC	230	11.7	25	14 (2)	12 (3)	12 (3)	10 (5.5)
2	3	TEFC	230/460	6.6/3.3	15/10	14/14 (2/2)	14/14 (2/2)	14/14 (2/2)	12/14 (3/2)
2-1/2	1	ODP	208-230	15.0-13.3	35	12 (3)	12 (3)	10 (5.5)	8 (8.4)
2-1/2	3	ODP	200-230/460	9.8-9.6/4	20/10	14/14 (2/2)	14/14 (2/2)	12/14 (3/2)	10/14 (5.5/2)
3	1	ODP	208-230	15.0-13.3	35	12 (3)	12 (3)	10 (5.5)	8 (8.4)
3	3	ODP	200-230/460	9.8-9.6/4	20/10	14/14 (2/2)	14/14 (2/2)	12/14 (3/2)	10/14 (5.5/2)



# MAINTENANCE

## MAINTENANCE

### PUMP DISASSEMBLY

Tools required:

- ◆ 7/16" open end wrench (2 required).
- ◆ Flat blade screwdriver with insulated handle.
- ◆ Work bench with vise recommended.
- ◆ Pliers or similar tool.
- ◆ Pipe wrench.

### IMPELLER STACK CHANGE OUT

Refer to Figure 8.

1. Remove pump from service and mount vertically in vise (if available) motor side down. Hold at center of motor. It may be desirable to wrap motor with a shop rag to protect outside surface.
2. Attach pipe wrench to flats on discharge connection and turn clockwise to remove (left hand threads).

3. Remove screws holding motor canopy and remove canopy. Pull straight off as shown. Leave switch wires attached (if present).

**⚠ WARNING** CAPACITOR VOLTAGE MAY BE HAZARDOUS. To discharge capacitor, hold insulated handle screwdriver by the handle and short capacitor terminals together. Do not touch metal screwdriver blade or capacitor terminals.

4. Unscrew the overload and move it aside. Do not disconnect wires. Slide 7/16" open end wrench in behind spring loaded centrifugal switch as shown. Place on motor shaft flats to hold shaft stationary.
5. With one 7/16" wrench in place on motor shaft, place second wrench on shaft hex at pump end and unscrew impeller stack by turning counter-clockwise.

**Note:** Updated stacks require the press on snap ring be removed with pliers in order to access the hex of the pump end shaft.

Once loose from motor shaft, hold shaft by snap ring using a pliers or similar tool, and pull stack from shell. You may have to apply a back and forth motion to break stack loose from shell.

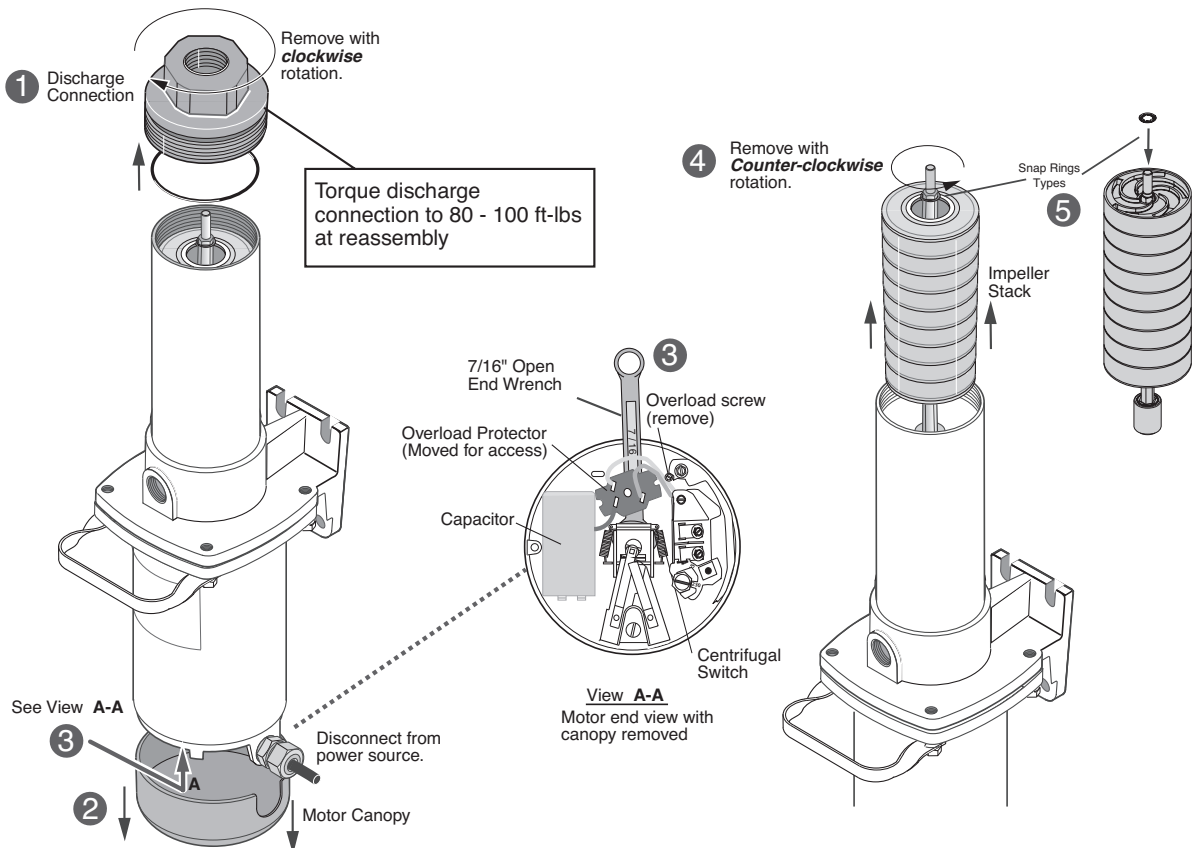


FIGURE 8 - IMPELLER STACK CHANGE OUT

# MAINTENANCE

---

## IMPELLER STACK CHANGE OUT, CONTINUED

To reassemble with replacement impeller stack, keep pump in the vertical position, motor down, and follow Steps 7 below.

6. Use these reassembly hints as needed:
  - ◆ Apply a soapy water solution to suction and discharge O-Rings to ease seating of shell.
  - ◆ Make sure mechanical shaft seal spring is in proper position on motor shaft.
  - ◆ On three-phase models, apply Loctite® No. 271 to motor shaft threads before reinstalling stack.
7. Using pliers, remove and discard press on snap ring from replacement stack.
8. Remove top diffuser to allow access to the hex shaft. On some models the thrust washer and impeller may need to be removed as well to expose enough of the shaft hex to place a wrench onto.
9. Assemble replacement stack onto motor shaft by performing Step 5 above and turning the shaft clockwise.
10. Once the shaft is seated reinstall diffuser back onto the end of the pump stack. The press on snap ring does NOT need to be reinstalled.
11. Complete stack change out by reversing from step 4 above

## MECHANICAL SEAL CHANGE OUT

Refer to Figures 8 and 9. This procedure is best completed with the pump held in a vertical position, motor down.

1. First complete the previous pump disassembly instructions under **Impeller Stack Change Out**.
2. Remove 4 capscrews holding pump body to motor. Pump handle will come off with top capscrews.
3. Unscrew pump shell from pump body, turning clockwise (left hand threads).
4. Remove mechanical shaft seal spring and rotating half from motor shaft. Use care not to scratch motor shaft when removing rotating half.
5. Remove pump body from motor and place on flat surface, face down. Again, use care not to scratch motor shaft.
6. Use a screwdriver to push ceramic seat out from seal cavity as shown.
7. Installation of ceramic seat:
  - A. Turn pump body over so seal cavity is up; clean cavity thoroughly.
  - B. Clean polished surface of ceramic seat with a clean cloth.
  - C. Lubricate outside rubber surface of seat with soapy water. Place cardboard washer over polished face of seat and press into seal cavity using a 3/4" socket or a piece of 3/4" standard pipe.
  - D. Be sure polished surface of seat is free of dirt and has not been damaged by insertion. Re-move excess soapy water. Dispose of cardboard washer.
8. Installation of rotating half and spring:
  - A. Reinstall pump body on motor using extreme caution not to hit ceramic portion of seal on motor shaft. Reattach pump body to motor using capscrews. Be sure to reinstall pump handle at this time.
  - B. Inspect shaft to make sure that it is clean.
  - C. Clean face of rotating half of seal with a clean cloth.
  - D. Lubricate inside diameter of rotating half with soapy water and slide onto motor shaft (sealing face first).
  - E. Place spring over motor shaft so it rests on rotating half.
9. To complete reassembly from this point, reverse instructions under **Impeller Stack Change Out**. Lubricate suction and discharge O-Rings with soapy water for easier installation of shell.

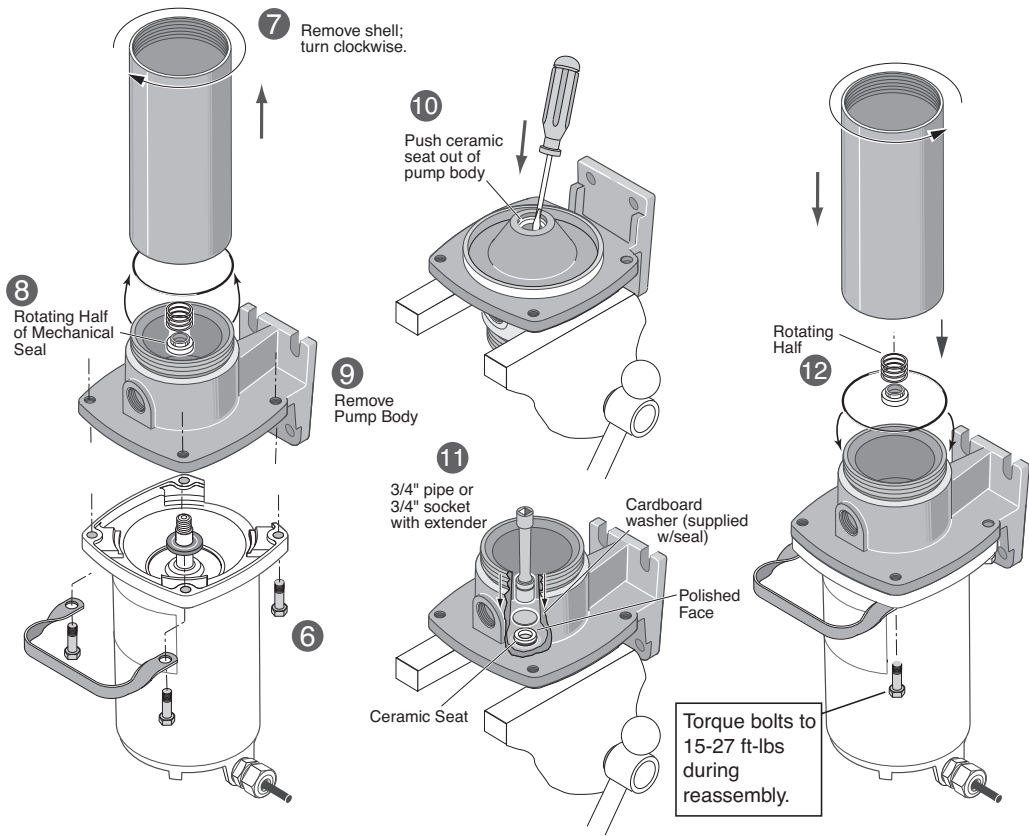
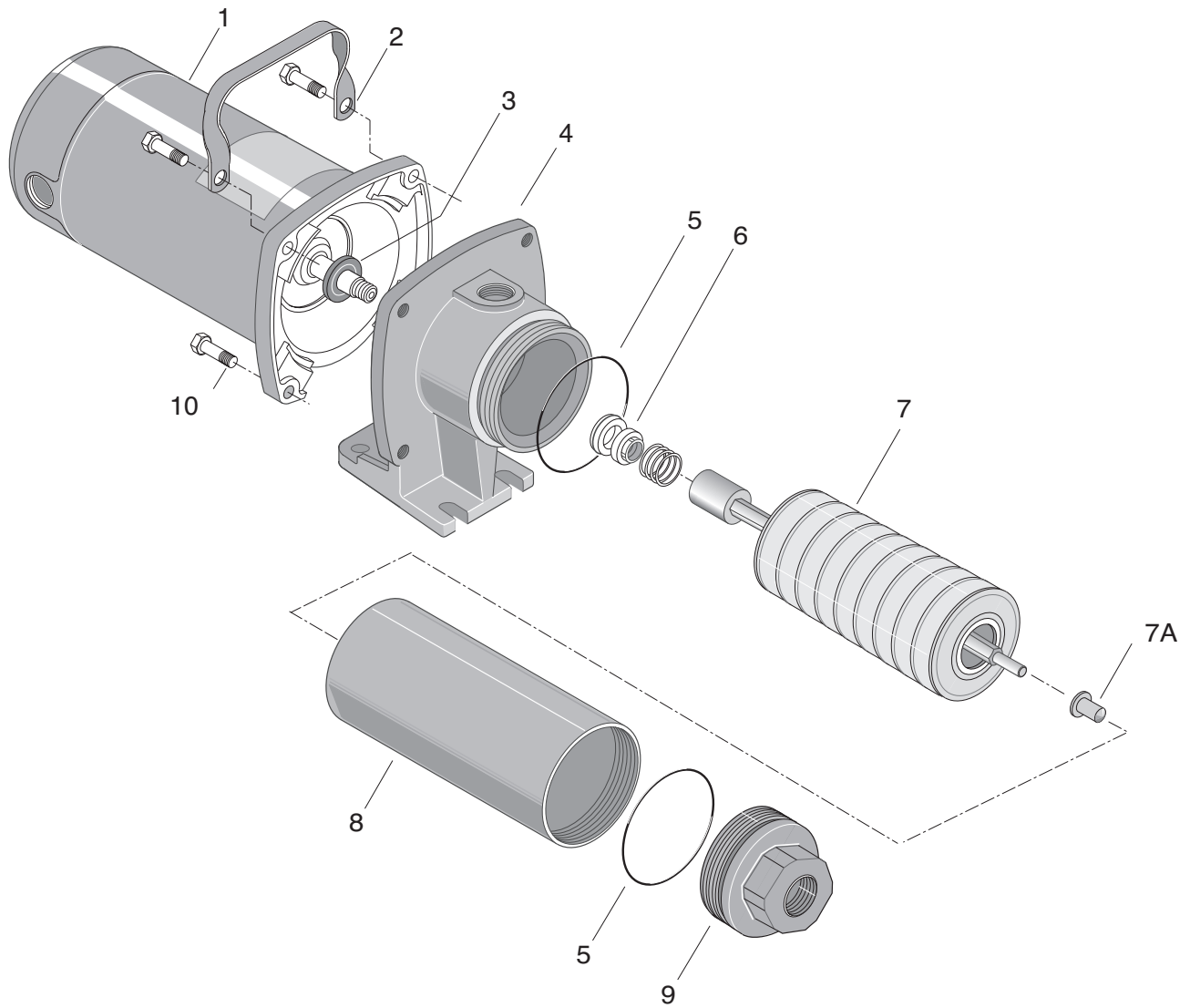


FIGURE 9 - MECHANICAL SEAL CHANGE OUT

# PARTS LIST



The following accessories may be ordered for high pressure booster pumps:

DESCRIPTION	PART #
Hose 6'-3/4" w/Female Ends (150 PSI Rating)	PKG 83
Hose 25'-3/4" w/Male & Female Ends (150 PSI Rating)	PKG 84
Adapter 3/4" NPT x 3/4" Hose	PKG 85
Nozzle - High Pressure	PKG 86

# PARTS LIST

## BERKELEY MODELS

KEY NO	PART DESCRIPTION	QTY	1/2 HP	3/4 HP	1HP	1-1/2 HP	2 HP	3HP
1	Motor - 1 phase	1	J218-1652	J218-1653	J218-1655	J218-1656	J218-1657	AE100HLL
1	Motor - 3 phase	1	AP100CH	AP100DL2	AP100EH	AP100FH	AP100GH	AP100HL
2	Handle**	-	C54-21	C54-21	C54-21	C54-21	C54-21	C54-21
3	Water Slinger	1	17351-0009	17351-0009	17351-0009	17351-0009	17351-0009	17351-0009
4	Pump Body - HP7, HP10 Series	1	C2-85	C2-85	C2-85	C2-85	C2-85	-
4	Pump Body - HPS7, HPS10 Series	1	C2-86SS	C2-86SS	C2-86SS	C2-86SS	C2-86SS	-
4	Pump Body - HP20 Series	1	-	-	C2-85A	C2-85A	C2-85A	C2-85A
4	Pump Body - HPS20 Series	1	-	-	C2-86SSA	C2-86SSA	C2-86SSA	C2-86SSA
4	Pump Body - HP30 Series	1	-	-	C2-85B	C2-85B	C2-85B	C2-85B
4	Pump Body - HPS30 Series	1	-	-	C2-86SSB	C2-86SSB	C2-86SSB	C2-86SSB
5	O-Ring	2	U9-430	U9-430	U9-430	U9-430	U9-430	U9-430
6	Shaft Seal Assembly	1	U109-118	U109-118	U109-118	U109-118	U109-118	U109-118
7	Pump Stack - 7GPM	1	P325-422R	P325-423R	P325-424R	-	-	-
7	Pump Stack - 10GPM	1	P325-425R	P325-426R	P325-439R	P325-428R	P325-429R	-
7	Pump Stack - 20GPM	1	-	-	P325-602R	P325-431R	P325-432R	P325-718R
7	Pump Stack - 30GPM	1	-	-	P325-719R	P325-720R	P325-721R	P325-722S
7A	Nylatron® Bearing (included with Key No. 9)	1	W31112	W31112	W31112	W31112	W31112	W31112
8	Pump Shell - 7GPM	1	P56-430SSL	P56-431SSL	P56-432SSL	-	-	-
8	Pump Shell - 10GPM	1	P56-460SSL	P56-461SSL	P56-469SSL	P56-452SSL	P56-432SSL	-
8	Pump Shell - 20GPM	1	-	-	P56-433SSL	P56-434SSL	P56-452SSL	P56-620SSL
8	Pump Shell - 30GPM	1	-	-	P56-621SSL	P56-622SSL	P56-434SSL	P56-615SSL
9	Discharge Assembly - HP7, HP10 Series	1	C152-3	C152-3	C152-3	C152-3	C152-4	-
9	Discharge Assembly - HPS7, HPS10 Series	1	C152-4	C152-4	C152-4	C152-4	C152-4	-
9	Discharge Assembly - HP20 Series	1	-	-	C152-3A	C152-3A	C152-3A	C152-3A
9	Discharge Assembly - HPS20 Series	1	-	-	C152-4A	C152-4A	C152-4A	C152-4A
9	Discharge Assembly - HP30 Series	1	-	-	C152-3B	C152-3B	C152-3B	C152-3B
9	Discharge Assembly - HPS30 Series	1	-	-	C152-4B	C152-4B	C152-4B	C152-4B
10	Hex Capscrew - 3/8 x 16 x 1-1/2" - HP Series	4	U30-982ZP	U30-982ZP	U30-982ZP	U30-982ZP	U30-982ZP	U30-982ZP
10	Hex Capscrew - 3/8 x 16 x 1-1/2" - HPS Series	4	S25983	S25983	S25983	S25983	S25983	S25983
*	Cord Connector - HP7 Only	1	U71-7	U71-7	-	-	-	-
*	Cord - HP7 Only	1	U17-402	U17-1238	-	-	-	-

\* Not pictured

\*\* Does not come standard with pumps

# PARTS LIST

## MYERS MODELS

KEY NO	PART DESCRIPTION	QTY	1/2 HP	3/4 HP	1 HP	1-1/2 HP	2 HP	3HP
1	Motor - 1 phase	1	J218-1652	J218-1653	J218-1655	J218-1656	J218-1657	AE100HLL
2	Handle**	-	C54-21	C54-21	C54-21	C54-21	C54-21	C54-21
3	Water Slinger	1	17351-0009	17351-0009	17351-0009	17351-0009	17351-0009	17351-0009
4	Pump Body - HP7, HP10 Series	1	C2-85	C2-85	C2-85	C2-85	C2-85	-
4	Pump Body - HP20 Series	1	-	-	C2-85A	C2-85A	C2-85A	C2-85A
4	Pump Body - HP30 Series	1	-	-	C2-85B	C2-85B	C2-85B	C2-85B
5	O-Ring	2	U9-430	U9-430	U9-430	U9-430	U9-430	U9-430
6	Shaft Seal Assembly	1	U109-118	U109-118	U109-118	U109-118	U109-118	U109-118
7	Pump Stack - 7GPM	1	P325-422R	P325-423R	P325-424R	-	-	-
7	Pump Stack - 10GPM	1	P325-425R	P325-426R	P325-439R	P325-428R	P325-429R	-
7	Pump Stack - 20GPM	1	-	-	P325-602R	P325-431R	P325-432R	P325-718R
7	Pump Stack - 30GPM	1	-	-	P325-719R	P325-720R	P325-721R	P325-722S
7A	Nylatron Bearing (included with Key No. 9)	1	W31112	W31112	W31112	W31112	W31112	W31112
8	Pump Shell - 7GPM	1	P56-430SSL	P56-431SSL	P56-432SSL	-	-	-
8	Pump Shell - 10GPM	1	P56-460SSL	P56-461SSL	P56-469SSL	P56-452SSL	P56-432SSL	-
8	Pump Shell - 20GPM	1	-	-	P56-433SSL	P56-434SSL	P56-452SSL	P56-620SSL
8	Pump Shell - 30GPM	1	-	-	P56-621SSL	P56-622SSL	P56-434SSL	P56-615SSL
9	Discharge Assembly - HP7, HP10 Series	1	C152-3	C152-3	C152-3	C152-3	C152-4	-
9	Discharge Assembly - HP20 Series	1	-	-	C152-3A	C152-3A	C152-3A	C152-3A
9	Discharge Assembly - HP30 Series	1	-	-	C152-3B	C152-3B	C152-3B	C152-3B
10	Hex Capscrew - 3/8 x 16 x 1-1/2" - HP Series	4	U30-982ZP	U30-982ZP	U30-982ZP	U30-982ZP	U30-982ZP	U30-982ZP
10	Hex Capscrew - 3/8 x 16 x 1-1/2" - HPS Series	4	S25983	S25983	S25983	S25983	S25983	S25983
*	Cord Connector - HP7 Only	1	U71-7	U71-7	-	-	-	-
*	Cord - HP7 Only	1	U17-402	U17-1238	-	-	-	-

\* Not pictured

\*\* Does not come standard with pumps

# PARTS LIST

## STA-RITE MODELS

KEY NO	PART DESCRIPTION	QTY	1/2 HP	3/4 HP	1HP	1-1/2 HP	2 HP	2-1/2 HP	3HP
1	Motor - 1 phase	1	J218-1652	J218-1653	J218-1655	J218-1656	J218-1657	AE100HLL	AE100HLL
1	Motor - 3 phase	1	AP100CH	AP100DL2	AP100EH	AP100FH	AP100GH	AP100HL	AP100HL
2	Handle**	-	C54-21	C54-21	C54-21	C54-21	C54-21	C54-21	C54-21
3	Water Slinger	1	17351-0009	17351-0009	17351-0009	17351-0009	17351-0009	17351-0009	17351-0009
4	Pump Body - HP7, HP10 Series	1	C2-85	C2-85	C2-85	C2-85	C2-85	-	-
4	Pump Body - HPS7, HPS10 Series	1	C2-86SS	C2-86SS	C2-86SS	C2-86SS	C2-86SS	-	-
4	Pump Body - HP20 Series	1	-	-	C2-85A	C2-85A	C2-85A	C2-85A	C2-85A
4	Pump Body - HPS20 Series	1	-	-	C2-86SSA	C2-86SSA	C2-86SSA	C2-86SSA	C2-86SSA
4	Pump Body - HP30 Series	1	-	-	C2-85B	C2-85B	C2-85B	C2-85B	C2-85B
4	Pump Body - HPS30 Series	1	-	-	C2-86SSB	C2-86SSB	C2-86SSB	C2-86SSB	C2-86SSB
5	O-Ring	2	U9-430	U9-430	U9-430	U9-430	U9-430	U9-430	U9-430
6	Shaft Seal Assembly	1	U109-118	U109-118	U109-118	U109-118	U109-118	U109-118	U109-118
7	Pump Stack - 7GPM	1	P325-422R	P325-423R	P325-424R	-	-	-	-
7	Pump Stack - 10GPM	1	P325-425R	P325-426R	P325-439R	P325-428R	P325-429R	-	-
7	Pump Stack - 20GPM	1	-	-	P325-602R	P325-431R	P325-432R	P325-632R	P325-718R
7	Pump Stack - 30GPM	1	-	-	P325-719R	P325-720R	P325-721R	P325-1190R	P325-722S
7A	Nylatron Bearing (included with Key No. 9)	1	W31112	W31112	W31112	W31112	W31112	W31112	W31112
8	Pump Shell - 7GPM	1	P56-430SSL	P56-431SSL	P56-432SSL	-	-	-	-
8	Pump Shell - 10GPM	1	P56-460SSL	P56-461SSL	P56-469SSL	P56-452SSL	P56-432SSL	-	-
8	Pump Shell - 20GPM	1	-	-	P56-433SSL	P56-434SSL	P56-452SSL	P56-611SSL	P56-620SSL
8	Pump Shell - 30GPM	1	-	-	P56-621SSL	P56-622SSL	P56-434SSL	P56-968SSL	P56-615SSL
9	Discharge Assembly - HP7, HP10 Series	1	C152-3	C152-3	C152-3	C152-3	C152-4	-	-
9	Discharge Assembly - HPS7, HPS10 Series	1	C152-4	C152-4	C152-4	C152-4	C152-4	-	-
9	Discharge Assembly - HP20 Series	1	-	-	C152-3A	C152-3A	C152-3A	C152-3A	C152-3A
9	Discharge Assembly - HPS20 Series	1	-	-	C152-4A	C152-4A	C152-4A	C152-4A	C152-4A
9	Discharge Assembly - HP30 Series	1	-	-	C152-3B	C152-3B	C152-3B	C152-3B	C152-3B
9	Discharge Assembly - HPS30 Series	1	-	-	C152-4B	C152-4B	C152-4B	C152-4B	C152-4B
10	Hex Capscrew-3/8 x 16 x 1-1/2"-HP Series	4	U30-982ZP	U30-982ZP	U30-982ZP	U30-982ZP	U30-982ZP	U30-982ZP	U30-982ZP
10	Hex Capscrew-3/8 x 16 x 1-1/2"-HPS Series	4	S25983	S25983	S25983	S25983	S25983	S25983	S25983
*	Cord Connector - HP7 Only	1	U71-7	U71-7	-	-	-	-	-
*	Cord - HP7 Only	1	U17-402	U17-1238	-	-	-	-	-

\* Not pictured

\*\* Does not come standard with pumps

# BERKELEY WARRANTY

Pentair BERKELEY® warrants to the original consumer purchaser (“Purchaser” or “You”) of the products listed in the table below, that they will be free from defects in material and workmanship for the Warranty Period shown in the table below.

PRODUCT	WARRANTY PERIOD WHICHEVER OCCURS FIRST:
Water Systems Products – jet pumps, small centrifugal pumps, submersible pumps and related accessories	12 months from date of original installation, or 18 months from date of manufacture
Pentair Pro-Source <sup>®</sup> Composite Tanks	5 years from date of original installation
Pentair Pro-Source Steel Pressure Tanks	5 years from date of original installation
Pentair Pro-Source Epoxy-Lined Tanks	3 years from date of original installation
Agricultural/Commercial:	
Centrifugals – close-coupled motor drive, frame mount, SAE mount, engine drive, VMS, SSCX, SSHM	12 months from date of original installation, or 24 months from date of manufacture
Submersible Turbines, 6” diameter and larger	12 months from date of original installation, or 24 months from date of manufacture

Our warranty will not apply to any product that, in our sole judgement, has been subject to negligence, misapplication, improper installation, or improper maintenance. Examples that may result in denial of a warranty claim (this list is not all inclusive):

- ◆ Damage caused by careless handling, improper repackaging, or shipping.
- ◆ Damage due to misapplication, misuse, abuse, or failure to operate equipment as specified in the owner’s manual.
- ◆ Damage caused by failure to install products as specified in the owner’s manual.
- ◆ Damage due to unauthorized product modifications or failure to use Pentair original replacement parts.
- ◆ Damage caused by negligence, or failure to properly maintain products as specified in the owner’s manual.
- ◆ Damage caused by water freezing inside the product.
- ◆ Accidental damage, fire, acts of God, or other circumstances outside the control of Pentair.

Without limiting the foregoing, operating a three phase motor with single phase power through a phase converter will void the warranty. Note also that three phase motors must be protected by three-leg, ambient compensated, extra-quick trip overload relays of the recommended size or the warranty is void.

All impeller diameters specified in the BEC2 pump sizing program have been tested and determined to not exceed the service factor of the specified motor. Oversized impeller diameters can be requested, however, use of an oversized impeller will void any warranty claims.

Your only remedy, and BERKELEY’s only duty under this warranty, is that BERKELEY repair or replace defective products (at BERKELEY’s choice). THE REMEDIES DESCRIBED HERE ARE YOUR SOLE AND EXCLUSIVE REMEDIES AND OUR ENTIRE LIABILITY FOR ANY BREACH OF THIS WARRANTY.

You must pay all labor and shipping charges associated with the warranty and must request warranty service through the installing dealer as soon as a problem is discovered. No request for service will be accepted if received after the Warranty Period has expired. This warranty is not transferable.

BERKELEY’S LIABILITY SHALL UNDER NO CIRCUMSTANCES EXCEED THE ACTUAL AMOUNT PAID BY YOU FOR THE PRODUCT AT ISSUE. BERKELEY SHALL NOT, UNDER ANY CIRCUMSTANCES, BE LIABLE FOR ANY CONSEQUENTIAL, INCIDENTAL, SPECIAL, PUNITIVE, OR CONTINGENT DAMAGES OR LOSSES WHATSOEVER, WHETHER DIRECT OR INDIRECT. THE FOREGOING WARRANTY IS EXCLUSIVE. EXCEPT FOR THE WARRANTY SET FORTH HEREIN, BERKELEY MAKES NO WARRANTY WHATSOEVER WITH RESPECT TO THE PRODUCTS, INCLUDING, BUT NOT TO ANY WARRANTIES OF MERCHANTABILITY OR WARRANTY OF FITNESS FOR A PARTICULAR PURPOSE, WHETHER EXPRESS OR IMPLIED BY LAW, COURSE OF DEALING, COURSE OF PERFORMANCE, USAGE OF TRADE OR OTHERWISE.

THE FOREGOING WARRANTIES SHALL NOT EXTEND BEYOND THE DURATION PROVIDED HEREIN. Some states do not allow the exclusion or limitation of incidental or consequential damages or limitations on the duration of an implied warranty, so the above limitations or exclusions may not apply to You. This warranty gives You specific legal rights and You may also have other rights which vary from state to state.

This Warranty is effective July 14, 2020 and replaces all undated warranties and warranties dated before July 14, 2020.



# MYERS WARRANTY

---

## LIMITED WARRANTY

Myers® warrants to the original consumer purchaser (“Purchaser” or “You”) of the products listed below, that they will be free from defects in material and workmanship for the Warranty Period shown below.

PRODUCT	WARRANTY PERIOD WHICHEVER OCCURS FIRST:
Jet pumps, small centrifugal pumps, submersible pumps and related accessories	12 months from date of original installation, or 18 months from date of manufacture.
Fibrewound Tanks	5 years from date of original installation
Steel Pressure Tanks	5 years from date of original installation
Sump/Sewage/Effluent/Utility/Battery Backup Products	36 months from date of manufacture
Wastewater Solids Handling Pumps	12 months from date of shipment from factory or 18 months from date of manufacture

## NOZZLE CLEAN OUT (LOW PRESSURE)

Our warranty applies only where such products are used in compliance with the requirements of the applicable product catalog and/or manuals. For additional information, please refer to the applicable standard limited warranty featured in the product manual.

Our warranty will not apply to any product that, in our sole judgment, has been subject to negligence, misapplication, improper installation, or improper maintenance. Without limiting the foregoing, operating a three phase motor with single phase power through a phase converter will void the warranty. Note also that three phase motors must be protected by three-leg, ambient compensated, extra-quick trip overload relays of the recommended size or the warranty is void.

Your only remedy, and MYERS’s only duty, is that MYERS repair or replace defective products (at MYERS’s choice). You must pay all labor and shipping charges associated with this warranty and must request warranty service through the installing dealer as soon as a problem is discovered. No request for service will be accepted if received after the Warranty Period has expired. This warranty is not transferable.

MYERS SHALL NOT BE LIABLE FOR ANY CONSEQUENTIAL, INCIDENTAL, OR CONTINGENT DAMAGES WHATSOEVER.

THE FOREGOING LIMITED WARRANTIES ARE EXCLUSIVE AND IN LIEU OF ALL OTHER EXPRESS AND IMPLIED WARRANTIES, INCLUDING BUT NOT LIMITED TO IMPLIED WARRANTIES OF MERCHANTABILITY AND FITNESS FOR A PARTICULAR PURPOSE. THE FOREGOING LIMITED WARRANTIES SHALL NOT EXTEND BEYOND THE DURATION PROVIDED HEREIN.

Some states do not allow the exclusion or limitation of incidental or consequential damages or limitations on the duration of an implied warranty, so the above limitations or exclusions may not apply to You. This warranty gives You specific legal rights and You may also have other rights which vary from state to state.

This Limited Warranty is effective January 1, 2021 and replaces all undated warranties and warranties dated before January 1, 2021.

# STA-RITE WARRANTY

---

## LIMITED WARRANTY

STA-RITE warrants to the original consumer purchaser ("Purchaser" or "You") of the products listed below, that they will be free from defects in material and workmanship for the Warranty Period shown below.

PRODUCT	WARRANTY PERIOD WHICHEVER OCCURS FIRST:
Water Systems Products – jet pumps, small centrifugal pumps, submersible pumps and related accessories	12 months from date of original installation, or 18 months from date of manufacture
Pro-Source™ Composite Tanks	5 years from date of original installation
Pro-Source™ Steel Pressure Tanks	5 years from date of original installation
Pro-Source™ Epoxy-Lined Tanks	3 years from date of original installation
Sump/Sewage/Effluent Products	12 months from date of original installation, or 18 months from date of manufacture

Our warranty will not apply to any product that, in our sole judgment, has been subject to negligence, misapplication, improper installation, or improper maintenance. Without limiting the foregoing, operating a three phase motor with single phase power through a phase converter will void the warranty. Note also that three phase motors must be protected by three-leg, ambient compensated, extra-quick trip overload relays of the recommended size or the warranty is void.

Your only remedy, and STA-RITE's only duty, is that STA-RITE repair or replace defective products (at STA-RITE's choice). You must pay all labor and shipping charges associated with this warranty and must request warranty service through the installing dealer as soon as a problem is discovered. No request for service will be accepted if received after the Warranty Period has expired. This warranty is not transferable.

STA-RITE SHALL NOT BE LIABLE FOR ANY CONSEQUENTIAL, INCIDENTAL, OR CONTINGENT DAMAGES WHATSOEVER. THE FOREGOING WARRANTIES ARE EXCLUSIVE AND IN LIEU OF ALL OTHER EXPRESS AND IMPLIED WARRANTIES, INCLUDING BUT NOT LIMITED TO THE IMPLIED WARRANTIES OF MERCHANTABILITY AND FITNESS FOR A PARTICULAR PURPOSE. THE FOREGOING WARRANTIES SHALL NOT EXTEND BEYOND THE DURATION EXPRESSLY PROVIDED HEREIN. Some states do not allow the exclusion or limitation of incidental or consequential damages or limitations on the duration of an implied warranty, so the above limitations or exclusions may not apply to You. This warranty gives You specific legal rights and You may also have other rights which vary from state to state.

This Limited Warranty is effective June 1, 2011 and replaces all undated warranties and warranties dated before June 1, 2011.

**PAGE INTENTIONALLY LEFT BLANK**



<b>293 Wright St</b>	<b>490 Pinebush Rd., Unit 4</b>	<b>pentair.com</b>
<b>Delavan, WI 53115</b>	<b>Cambridge, Ontario</b>	
<b>Ph: 888.987.8677</b>	<b>Canada N1T 0A5</b>	
<b>Fx: 800.426.9446</b>	<b>Ph: 800.363.7867</b>	

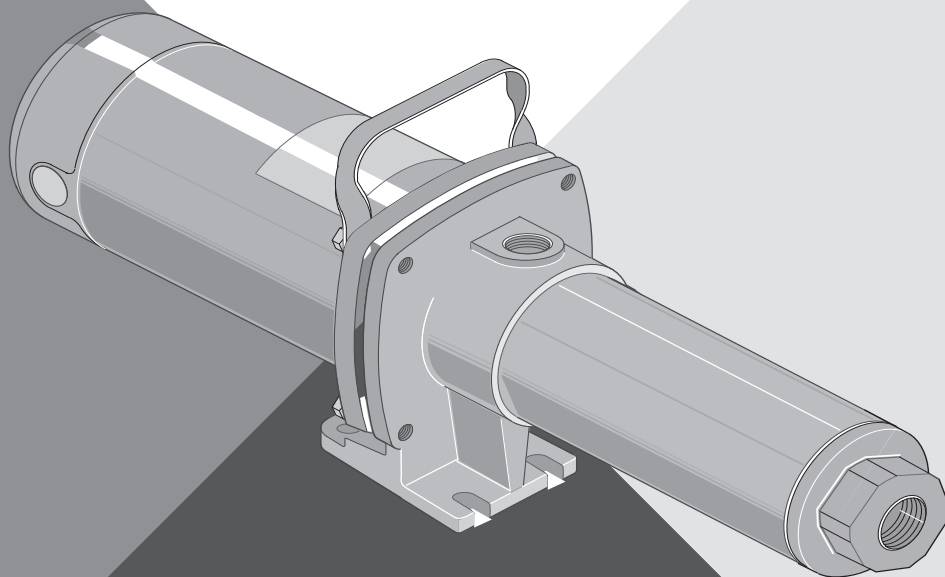
All indicated Pentair trademarks and logos are property of Pentair. Third party registered and unregistered trademarks and logos are the property of their respective owners. Because we are continuously improving our products and services, Pentair reserves the right to change specifications without prior notice. Pentair is an equal opportunity employer.

Viton® is a registered trademark of The Chemours Company FC, LLC  
Loctite® is a registered trademark Henkel AG & Company KGaA.  
Nylatron® is a trademark and brand of Quadrant Epp USA, Inc.

©2023 Pentair. All Rights Reserved.

P15005(09-15-23)

**PRO POMPE DE SURPRESSION  
À PRESSION ÉLEVÉE**  
60 HZ, MODÈLES DE 1/2 À 3 HP



**GUIDE DE L'UTILISATEUR**

[pentair.com](https://www.pentair.com)

# TABLE DES MATIÈRES


---


CONSIGNES DE SÉCURITÉ .....	23
INSTALLATION ET FONCTIONNEMENT .....	24
SÉCURITÉ ÉLECTRIQUE .....	26
ENTRETIEN .....	29
LISTE DES PIÈCES .....	32
GARANTIES .....	36


# CONSIGNES DE SÉCURITÉ


## SYMBOLES DE SÉCURITÉ

Pour éviter tout risque de blessures corporelles graves et des dommages matériels, lisez attentivement les instructions de sécurité avant d'installer la pompe.

 Ceci est le symbole d'alerte de sécurité. Si vous voyez ce symbole sur votre pompe ou dans ce guide, cherchez l'un des mots d'avertissement ci-dessous et soyez attentif aux risques de blessures corporelles.


 **DANGER** indique un danger qui, s'il n'est pas évité, entraînera la mort ou des blessures graves.

 **MISE EN GARDE** indique un danger qui, s'il n'est pas évité, peut entraîner la mort ou des blessures graves.

 **ATTENTION** indique un danger qui, s'il n'est pas évité, pourrait entraîner des blessures légères à modérées.

Le terme **REMARQUE** indique des consignes spéciales importantes non liées aux dangers.

## AVERTISSEMENT CONCERNANT LA PROPOSITION 65 DE LA CALIFORNIE

 **MISE EN GARDE** Ce produit et les accessoires connexes contiennent des produits chimiques considérés par l'État de la Californie comme pouvant causer le cancer, des anomalies congénitales ou d'autres problèmes liés au système reproducteur.

## SÉCURITÉ GÉNÉRALE

Lisez attentivement et suivez toutes les instructions de sécurité de ce manuel et sur les pompes. Conservez les étiquettes de sécurité en bon état. Remplacez-les si elles sont manquantes ou endommagées.


Le terme « service intermittent » signifie que le moteur fonctionne et/ou démarre fréquemment dans une période qui lui permettrait d'atteindre ses limites thermiques maximales. Une fois la limite thermique maximale atteinte, il faut laisser le moteur revenir à la température ambiante avant de le remettre en service.


**NE PAS UTILISER** cette pompe pour pomper des liquides inflammables. Ne jamais faire fonctionner cette pompe dans un environnement explosif. Un arc électrique provenant des balais du moteur, de l'interrupteur ou de la chaleur excessive d'un moteur mal réglé peut provoquer une explosion.

**NE PAS** présumer que le fluide est compatible. Si le fluide est mal adapté aux élastomères de la pompe, une fuite peut se produire. Les pompes utilisées pour transférer des produits chimiques dangereux ou chauds (température maximale de 170 °F [76 °C] Viton® uniquement) doivent être placées dans une zone ventilée afin d'éviter tout risque de blessure dû à des liquides/vapeurs nocifs ou explosifs.

**NE PAS FAIRE** fonctionner la pompe à des pressions entraînant un dépassement de l'intensité nominale du moteur indiquée sur la plaque signalétique. Plusieurs modèles de pompes sont équipés de disjoncteurs thermiques qui interrompent le fonctionnement en cas de chaleur excessive. Une fois que la température du moteur se trouve dans les limites appropriées, il se réinitialise automatiquement et la pompe se met en marche sans avertissement.

**NE PAS LAISSER** la pompe ou tout autre composant du système geler. Cela risque d'endommager le système et d'annuler la garantie.

 **ATTENTION** **RISQUE DE BRÛLURE.** Ne touchez pas un moteur en marche. Les moteurs modernes peuvent fonctionner à une température élevée. Pour éviter les brûlures lors de l'entretien de la pompe, laissez-la refroidir pendant 20 minutes après l'arrêt avant de la manipuler.

 **MISE EN GARDE** **PRESSIION DANGEREUSE. NE PAS** faire fonctionner la pompe avec la fermeture du refoulement, car le boyau peut éclater ou la pompe peut être endommagée en raison des températures élevées.

La pompe n'est pas submersible. Garder le moteur sec en tout temps. Ne pas laver le moteur. Ne pas immerger. Protéger le moteur de l'humidité.

**N'UTILISER QUE DES BOYAUX DE REFOULEMENT HAUTE PRESSION RENFORCÉS.** Se reporter à la liste des pièces pour connaître les boyaux, les buses et les raccords disponibles. Il est recommandé de poser une soupape de décharge haute pression.

**NE PAS** utiliser de boyau d'arrosage avec la pompe. Un boyau d'arrosage ne résistera pas aux pressions de refoulement produites et il éclatera.

Le jet de refoulement haute pression est dangereux. Pour éviter des blessures, **NE PAS** diriger le jet de refoulement vers des personnes ou des animaux.


S'assurer que la pression du boyau d'aspiration de la pompe, plus la pression de refoulement de la pompe ne dépassent pas la pression nominale du tuyau de refoulement et des raccords. Consulter le manuel pour connaître les pressions nominales de refoulement de la pompe.


## SÉCURITÉ ÉLECTRIQUE

Pour prévenir les décharges électriques, débrancher l'alimentation électrique avant d'entamer tout travail. En cas de défaillance de la pompe, le boîtier du moteur et/ou le liquide pompé peuvent transporter une haute tension vers des composants normalement considérés comme sûrs.

Respecter les codes de plomberie et d'électricité locaux et/ou nationaux lors de l'installation.

 Débranchez la pompe avant de procéder à l'entretien.

 Certains modèles de pompe sont fournis avec un cordon de mise à la terre à trois connecteurs. Ne branchez que dans une prise de courant correctement mise à la terre et protégée par un disjoncteur de fuite à la terre. Ne soulevez pas la pompe par le cordon électrique.

 Si vous utilisez une rallonge, utilisez uniquement un cordon intérieur/extérieur approuvé UL, à 3 fils, avec mise à la terre. Ne laissez aucune partie du cordon ou de l'extrémité de la prise reposer dans l'eau ou dans des endroits humides.

# INSTALLATION ET FONCTIONNEMENT

## INSTALLATION

Cette pompe est conçue pour augmenter la pression de l'eau afin de créer un jet à haute pression. Si un système d'eau sous pression existant doit être utilisé comme source d'alimentation en eau, il peut être raccordé à l'entrée de la pompe à l'aide des raccords disponibles et d'un boyau haute pression de 3/4 po ou 1 po. Un boyau d'aspiration spécial de 3/4 po ou 1 po avec raccords est disponible comme accessoire.

Si la pompe est montée de manière permanente sur un mur, utilisez un boyau de 3/4 po ou de 1 po ou un boyau robuste pour la ligne d'aspiration. Les modèles de 20 gal/min nécessitent un boyau de refoulement d'un pouce pour réduire les pertes de friction et les modèles de 30 gal/min nécessitent un boyau de refoulement de 1 1/4 po.

La pression d'entrée maximale est de 80 psi. La pression maximale de refoulement est de 315 psi. La garantie sera annulée si ces limites de pressions sont dépassées.

## PRESSIONS DE REFOULEMENT

Veillez consulter le tableau suivant pour les pressions de refoulement acceptables.

Pour obtenir une pression de refoulement totale, ajoutez cette pression à celle du boyau d'aspiration. Par exemple, une pompe de HP7C dont l'aspiration est branchée sur une conduite de service d'eau de 100 psi produira une pression de refoulement totale de 230 psi (130 + 100) à un débit de 0 gal/min. Si la pression d'aspiration chute à 50 psi, la pression de refoulement chutera à 180 psi.

GAL/ MIN	HP	NOMBRE D'ÉTAPES	PRESSIION DE REFOULEMENT PSI AU DÉBIT NOMINAL	PRESSIION DE REFOULEMENT PSI À PAS DE DÉBIT
7	1/2	9	90	130
7	3/4	12	123	173
7	1	16	162	229
10	1/2	6	74	113
10	3/4	8	97	147
10	1	10	134	188
10	1	11	146	202
10	1 1/2	14	173	206
10	2	16	197	260
20	1	7	75	110
20	1 1/2	9	97	143
20	2	11	123	175
20	3	15	195	250
30	1	5	59	75
30	1 1/2	6	71	91
30	2	7	81	106
30	3	11	129	167

Les numéros de modèles comprenant un « S » (HPS7C, HPS10D, etc.) ont une aspiration et un refoulement en acier inoxydable, ainsi que des vis d'assemblage. Les numéros de modèles se terminant par « 3 » (HP7C3, HPS10C3, etc.) ont des moteurs triphasés. Les numéros de modèles se terminant par « T » ont des moteurs TEFC.

## INSTALLATION D'UNE POMPE DE SURPRESSION À PRESSIION ÉLEVÉE

Les instructions suivantes portent sur les installations de pompes de surpression à pression élevée, comme illustré ci-dessous.

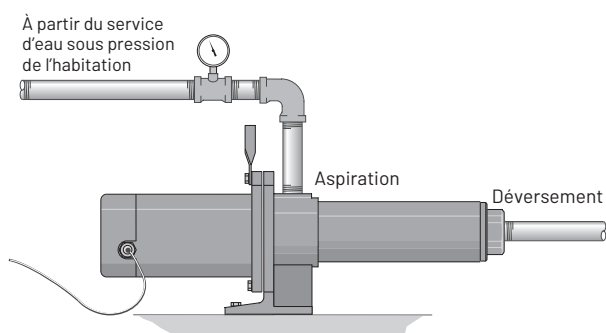


FIGURE 1 – BRANCHEMENT AU SERVICE RÉSIDENTIEL

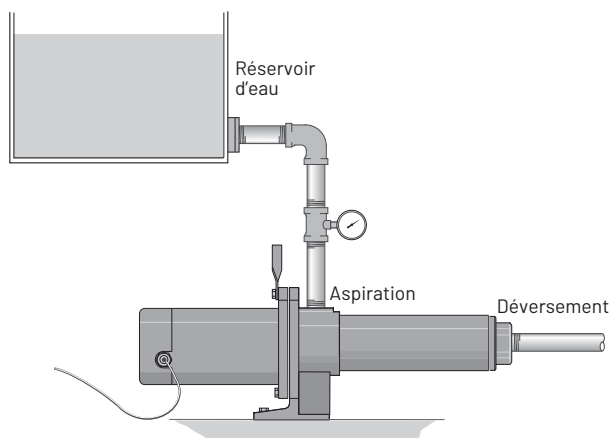
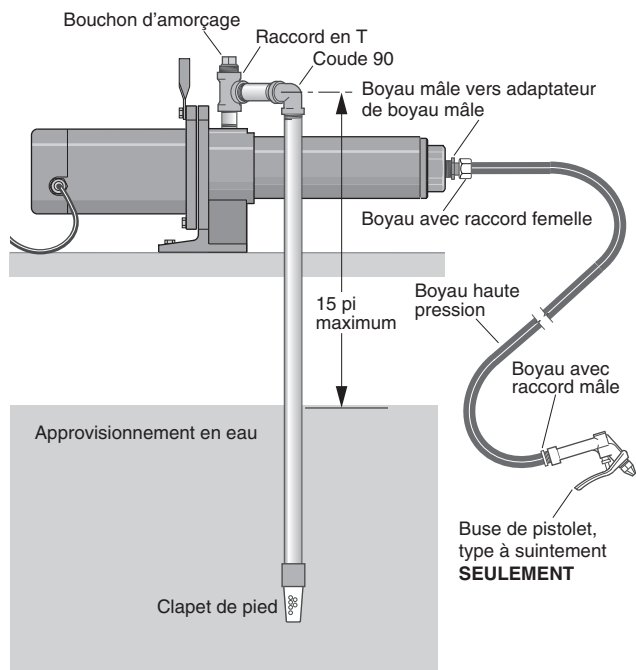


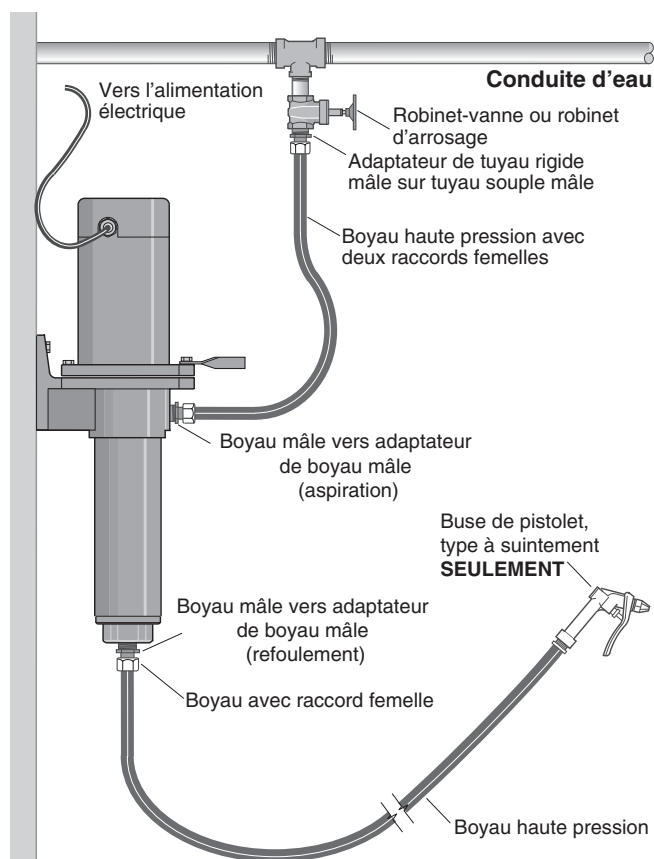
FIGURE 2 – BRANCHEMENT À UN RÉSERVOIR D'EAU



# INSTALLATION ET FONCTIONNEMENT



**FIGURE 3 – INSTALLATION SUR UNE CITERNE OU UN PUIT  
PEU PROFOND**



**FIGURE 4 – MONTAGE AU MUR SUR UNE CONDUITE D'EAU  
SOUS PRESSION**

Pour réduire au minimum les pertes de charge, la conduite d'entrée (d'aspiration) doit être courte et comporter le moins de coudes possible. Déterminer le diamètre de l'arrivée conformément au tableau ci-dessous :

AVE. GAL/ MIN	TAILLE DE D'ENTRÉE FILETÉE	TAILLE RECOMMANDÉE DE LA CONDUITE D'ENTRÉE	TAILLE RECOMMANDÉE DE LA CONDUITE DE REFOULEMENT
7	3/4 po NPT	1 po	1 po
10	3/4 po NPT	1 po	1 po
20	1 po NPT	1 1/4 po	1 1/4 po
30	1 1/4 po NPT	1 1/2 po	1 1/2 po

Une crépine posée sur la conduite d'entrée empêchera les débris en suspension dans l'eau de boucher la pompe.

Les surfaces de fonctionnement internes de la pompe, ainsi que ses joints, doivent être lubrifiés par l'eau pour un bon fonctionnement constant de la pompe. Laisser fonctionner la pompe à sec endommagera gravement la pompe ainsi que ses joints.

Installer un manomètre dans la conduite d'entrée de la pompe. Garder une pression d'au moins 2 psi dans la conduite d'entrée, que la pompe fonctionne ou non. Si cela n'est pas possible, consulter un représentant du service à la clientèle.

## LUBRIFICATION

Il n'est pas nécessaire de lubrifier la pompe ni le moteur. Le moteur est équipé de roulements à billes étanches, lesquels ont été lubrifiés pour toute leur durée de vie. Le joint mécanique de l'arbre de la pompe est autolubrifié et ne nécessite aucun réglage. Démontez la pompe pour remplacer le joint. (Se reporter à la rubrique « Entretien » aux pages 10 et 11).

## UTILISATION

Pour faire fonctionner la pompe, observer les précautions suivantes.

- ◆ Garder le moteur sec! Ne pas diriger le jet de refoulement de la pompe sur le moteur!
- ◆ **MISE EN GARDE** **PRESSIION DANGEREUSE.** Ne pas faire fonctionner la pompe avec la fermeture du refoulement, car le boyau peut éclater ou la pompe peut être endommagée en raison des températures élevées.
- ◆ N'utilisez pas de pistolet à gâchette standard avec cette pompe. N'utiliser qu'un pistolet à gâchette doté de la fonction de suintement automatique. Ils sont disponibles en tant qu'accessoires et sont dotés de trois buses. La plus petite buse limite le débit, ce qui permet d'utiliser une source d'eau plus petite. Les deux buses les plus grandes sont utilisées si la source d'eau peut fournir la pleine capacité de la pompe.
- ◆ **NE PAS** faire fonctionner la pompe à sec, au risque d'endommager le joint.
- ◆ Pour éviter tout dommage interne à la pompe, ne la faites pas fonctionner si la température de l'eau dépasse 175 °F.

## MONOPHASÉ, MOTEUR ODP

### PARAMÈTRES DU COMMUTATEUR DU MOTEUR

Les moteurs à double tension (moteurs pouvant fonctionner sous une tension de 115 ou de 230 volts) sont réglés en usine à 230 volts. Ne modifiez pas le réglage de la tension du moteur si la tension de secteur est de 230 volts, ou si vous avez un moteur à tension unique.

Les modèles avec cordon d'alimentation sont précâblés pour 115 volts. Cela comprend les modèles HP7D-02 et HP7C-02. Ne câblez jamais un moteur de 115 volts à une alimentation secteur de 230 volts.

### RETRAIT DU COUVERCLE DE L'EXTRÉMITÉ DU MOTEUR

S'il s'agit d'un moteur à double tension et que le branchement doit se faire sur une tension de 115 volts, veuillez suivre la procédure ci-dessous (voir Figure 5).

Retirez le couvercle de l'extrémité du moteur pour modifier le réglage de la tension. La plaque à bornes du moteur (située sous le couvercle du moteur) doit ressembler à l'une des suivantes.

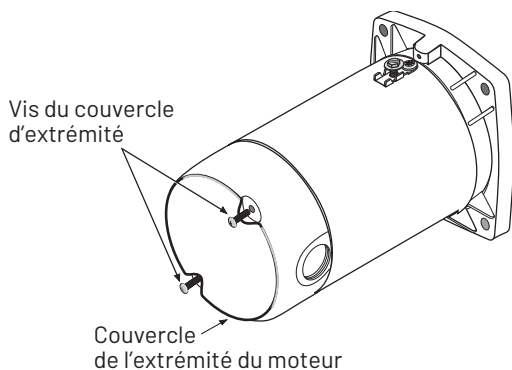


FIGURE 5 – RETRAIT DU COUVERCLE DE L'EXTRÉMITÉ DU MOTEUR

### SÉLECTEUR DE TENSION DU TYPE DE PRISE

Pour passer à 115 volts (voir Figure 6) :

1. Assurez-vous que l'appareil est hors tension et tirez la fiche vers le haut.
2. Déplacez et fixez la fiche à la position 115 volts. La fiche recouvrira maintenant deux languettes métalliques. La flèche sur la fiche indiquera 115 V.
3. Fixez les fils du câble d'alimentation aux bornes du câble d'alimentation, en veillant à ce que les fils soient bien fixés.
4. Fixez le fil de terre à la vis de terre verte.
5. Réinstallez le couvercle d'extrémité du moteur.
6. Procédez à la section Raccordements de câblage.

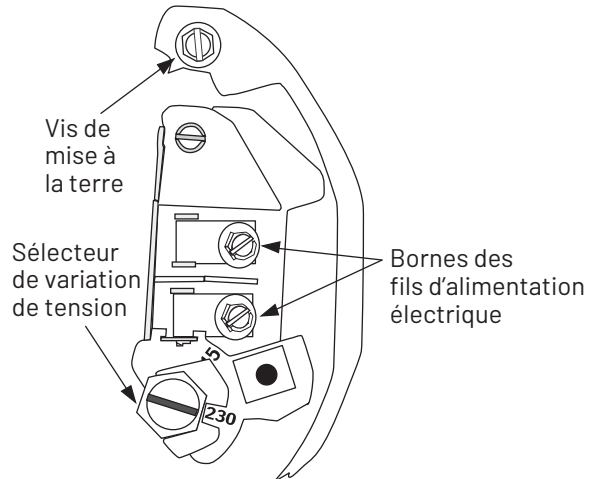


FIGURE 6 – TENSION RÉGLÉE À 230 VOLTS, TYPE DE FICHE

### SÉLECTEUR DE TENSION À CADRAN

Pour passer à 115 volts (voir Figure 7) :

1. Assurez-vous que l'alimentation électrique est coupée.
2. Tournez le cadran dans le sens inverse des aiguilles d'une montre jusqu'à ce que le nombre 115 soit affiché dans la fenêtre du cadran.
3. Fixez les fils du câble d'alimentation aux bornes du câble d'alimentation, en veillant à ce que les fils soient bien fixés.
4. Fixez le fil de terre à la vis de terre verte.
5. Réinstallez le couvercle d'extrémité du moteur.
6. Procédez à la section Raccordements de câblage.

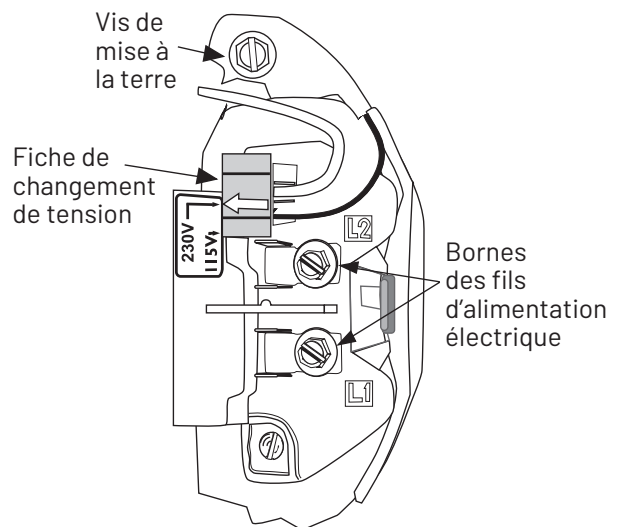


Figure 7 – Tension réglée à 230 volts, type de cadran

## RACCORDEMENTS DE CÂBLAGE

**⚠ DANGER** S'assurer d'effectuer la mise à la terre du moteur avant de le brancher à l'alimentation électrique. Ne pas effectuer la mise à la terre du moteur peut provoquer une décharge électrique grave ou mortelle.

**⚠ MISE EN GARDE** **RISQUE D'EXPLOSION.** Ne faites pas la mise à la terre sur une conduite d'alimentation en gaz.

**⚠ MISE EN GARDE** Pour éviter les risques de décharges électriques dangereuses ou mortelles, **COUPER** l'alimentation électrique du moteur avant de travailler sur les raccordements électriques.

**⚠** La tension d'alimentation doit se situer à  $\pm 10\%$  de la tension indiquée sur la plaque signalétique. Une tension inadéquate peut provoquer un incendie ou endommager le moteur et annuler la garantie. En cas de doute, consultez un électricien qualifié.

- ◆ Pour tous les moteurs triphasés et TEFC : Suivre le diagramme de câblage figurant sur le boîtier de raccordement du moteur ou sur la plaque signalétique du moteur.
- ◆ Utilisez le calibre indiqué dans le Tableau de câblage de ce manuel. Si possible, raccordez la pompe à un circuit de dérivation distinct qui n'alimente aucun autre appareil.
- ◆ Effectuer le câblage du moteur conformément au schéma de câblage figurant sur la plaque signalétique du moteur. Si le schéma de la plaque signalétique diffère des schémas ci-dessus, suivre le schéma de la plaque signalétique.
- ◆ Les moteurs à double tension sans cordon sont câblés en usine à 230 volts. Si nécessaire, reconfigurez le moteur à 115 volts, comme illustré. Tous les moteurs raccordés par cordon sont câblés pour 115 volts. Ne modifiez pas le câblage des moteurs à simple tension.
- ◆ Veuillez installer, mettre à la terre, câbler et entretenir cette pompe conformément au Code national de l'électricité (NEC) ou au Code canadien de l'électricité (CEC), ainsi qu'à tous les codes et ordonnances locaux applicables. Consulter un inspecteur des bâtiments local pour plus de renseignements sur les codes locaux.
- ◆ S'assurer que la tension, la fréquence et la phase (monophasée ou triphasée) de l'alimentation électrique correspondent à celles indiquées sur la plaque signalétique du moteur. En cas de doute, vérifier auprès du fournisseur d'électricité.
- ◆ Certains modèles possèdent des moteurs triphasés. Les moteurs triphasés nécessitent des démarreurs magnétiques et peuvent fonctionner dans toutes les directions selon la manière qu'ils sont branchés à l'alimentation électrique.

## COMMENT VÉRIFIER SI LA ROTATION EST CORRECTE - MOTEURS TRIPHASÉS

1. Assurez-vous que le moteur est hors tension lorsque vous travaillez sur les connexions électriques.
2. Retirer le couvercle de l'extrémité du moteur, en exposant l'arbre du moteur. Démarrez momentanément la pompe. Si le raccordement est correct, l'arbre tournera dans le sens des aiguilles d'une montre.

3. Si l'arbre ne tourne pas dans le sens des aiguilles d'une montre, inverser les deux fils du démarreur. La rotation est maintenant correcte.

## MISE À LA TERRE DU MOTEUR

Mettre en permanence la pompe à la terre à l'aide d'un fil dont le diamètre et le type spécifiés correspondront à ceux stipulés par le Code national de l'électricité ou les codes de la municipalité.

### Les modèles (série HP7C et HP7D uniquement) avec les cordons et les fiches installés en usine :

Cet équipement est uniquement destiné à être utilisé sur 115 V et est équipé d'un cordon à trois conducteurs homologué et d'une fiche de mise à la terre à trois broches. Pour réduire le risque de décharge électrique, assurez-vous qu'il est bien branché à un réceptacle correctement mis à la terre. Ne pas modifier ou retirer la fiche. Assurez-vous que le circuit de la pompe respecte le Code national de l'électricité. Pour éviter tout risque de décharge électrique, gardez toujours le cordon d'alimentation à l'abri de l'humidité.

### Modèles sans cordon et fiche :

1. Raccorder d'abord le fil de mise à la terre. Connectez d'abord le fil de mise à la terre, puis la borne verte de mise à la terre située sous le capot du moteur (voir les figures 6 et 7), identifiée comme GRD. Procéder à la mise à la terre sur cette borne. Ne pas brancher le moteur à l'alimentation électrique tant que l'appareil n'est pas mis à la terre de façon permanente; sinon, un risque de décharge électrique grave ou mortel peut être causé.
2. Pour une mise à la terre optimale, raccorder à un câble mis à la terre dans le panneau de service ou à un tuyau d'eau souterraine métallique ou à un tubage de puits d'au moins 10 pieds de long. Si des tuyaux en plastique ou des raccords isolés sont utilisés, brancher le fil de mise à la terre directement sur le tubage métallique du puits ou bien utiliser une électrode de mise à la terre obtenue auprès du fournisseur d'électricité.

# ÉLECTRICITÉ

## CÂBLES ET FUSIBLES RECOMMANDÉS

HP	PHASE	TYPE DE MOTEUR	TENSION	INTENSITÉ DE CHARGE MAXIMALE	VALEUR NOMINALE DU FUSIBLE (INTENSITÉ)	LONGUEUR DU CÂBLE			
						0 À 100 (0 À 30)	101 À 200 (31 À 61)	201 À 300 (62 À 91)	301 À 400 (92 À 122)
						TAILLE DES FILS AWG (MM <sup>2</sup> )			
1/2	1	ODP	115/230	11,4/5,7	20/15	14/14 (2/2)	10/14 (5,5/2)	8/14 (8,4/2)	6/12 (14/3)
1/2	3	ODP	208-230/460	3,0/1,5	10/6	14/14 (2/2)	14/14 (2/2)	14/14 (2/2)	14/14 (2/2)
1/2	1	TEFC	115/230	8,6/4,3	20/10	14/14 (2/2)	12/14 (3/2)	10/14 (5,5/2)	8/14 (8,4/2)
1/2	3	TEFC	208-230/460	2,2-2,1/1,1	6/3	14/14 (2/2)	14/14 (2/2)	14/14 (2/2)	14/14 (2/2)
3/4	1	ODP	115/230	12,2/6,1	25/15	12/14 (3/2)	8/14 (8,4/2)	8/14 (8,4/2)	6/12 (14/3)
3/4	3	ODP	208-230/460	3,6/1,8	10/6	14/14 (2/2)	14/14 (2/2)	14/14 (2/2)	14/14 (2/2)
3/4	1	TEFC	115/230	13,2 / 6,6	30/15	12/14 (3/2)	10/14 (5,5/2)	8/14 (8,4/2)	6/14 (14/2)
3/4	3	TEFC	230/460	3,8/1,0	10/3	14/14 (2/2)	14/14 (2/2)	14/14 (2/2)	14/14 (2/2)
1	1	ODP	115/230	18,4/9,2	30/20	10/14 (5,5/2)	8/14 (8,4/2)	6/12 (14/3)	4/10 (21/5,5)
1	3	ODP	208-230/460	4,7/2,34	10/6	14/14 (2/2)	14/14 (2/2)	14/14 (2/2)	14/14 (2/2)
1	1	TEFC	230	6,9	15	14 (2)	14 (2)	14 (2)	12 (3)
1	3	TEFC	230/460	4,4/2,2	10/6	14/14 (2/2)	14/14 (2/2)	14/14 (2/2)	14/14 (2/2)
11/2	1	ODP	115/230	22,8/11,4	45/25	10/14 (5,5/2)	6/12 (14/3)	6/12 (14/3)	4/10 (21/5,5)
11/2	3	ODP	208-230/460	6,8/3,4	15/10	14/14 (2/2)	14/14 (2/2)	14/14 (2/2)	12/14 (3/2)
11/2	3	TEFC	230/460	5,8/2,9	15/6	14/14 (2/2)	14/14 (2/2)	14/14 (2/2)	14/14 (2/2)
2	1	ODP	115/230	22/11	45/25	10/14 (5,5/2)	8/12 (8,4/3)	6/12 (14/3)	4/10 (21/5,5)
2	3	ODP	208-230/460	8,5/4,25	20/10	14/14 (2/2)	14/14 (2/2)	12/14 (3/2)	12/14 (3/2)
2	1	TEFC	230	11,7	25	14 (2)	12 (3)	12 (3)	10 (5,5)
2	3	TEFC	230/460	6,6/3,3	15/10	14/14 (2/2)	14/14 (2/2)	14/14 (2/2)	12/14 (3/2)
2 1/2	1	ODP	208-230	15,0-13,3	35	12 (3)	12 (3)	10 (5,5)	8 (8,4)
2 1/2	3	ODP	200-230/460	9,8-9,6/4	20/10	14/14 (2/2)	14/14 (2/2)	12/14 (3/2)	10/14 (5,5/2)
3	1	ODP	208-230	15,0-13,3	35	12 (3)	12 (3)	10 (5,5)	8 (8,4)
3	3	ODP	200-230/460	9,8-9,6/4	20/10	14/14 (2/2)	14/14 (2/2)	12/14 (3/2)	10/14 (5,5/2)

## ENTRETIEN

### DÉMONTAGE DE LA POMPE

Outils nécessaires :

- ◆ Deux clés à fourche de 7/16 po requises.
- ◆ Un tournevis à lame plate et à manche isolé.
- ◆ Un établi avec un étau recommandé.
- ◆ Des pinces ou un outil similaire.
- ◆ Une clé à tuyau.

### REPLACEMENT DE L'EMPILEMENT D'IMPULSEURS

Reportez-vous à la figure 8.

1. Débrancher la pompe des tuyaux, puis monter la pompe à la verticale dans un étau (dans la mesure du possible) en orientant son moteur vers le bas. Tenir le centre du moteur. Il est souhaitable d'envelopper le moteur avec un chiffon afin de protéger sa surface extérieure.
2. Poser la clé à tuyau sur les méplats du raccord de refoulement, puis la tourner à gauche pour le retirer (filets à gauche).

3. Retirer les vis de fixation du couvercle du moteur, puis enlever le couvercle. Retirez-le directement comme indiqué. Laisser les fils de l'interrupteur attachés (s'il y en a).

**MISE EN GARDE** LA TENSION DU CONDENSATEUR PEUT ÊTRE DANGEREUSE. Pour décharger le condensateur, tenir le tournevis à manche isolé par le manche et effectuer un court-circuit des bornes du condensateur. Ne touchez pas la lame métallique du tournevis ni les bornes du condensateur.

4. Dévisser la vis de surcharge et la mettre de côté. Ne pas débrancher les fils. Glisser une clé à fourche de 7/16 po derrière l'interrupteur centrifuge à ressorts, comme illustré. La placer sur les méplats de l'arbre du moteur afin d'immobiliser le moteur.
5. La clé à fourche de 7/16 po reposant sur l'arbre du moteur, poser la deuxième clé à fourche sur la partie hexagonale du moteur, à l'extrémité de la pompe, puis dévisser l'empilement d'impulseurs en tournant la clé à gauche.

**Remarque :** L'empilement mis à jour exige que l'anneau de retenue à pression soit retiré à l'aide d'une pince afin d'accéder à la partie hexagonale de l'arbre d'extrémité de la pompe.

Lorsque l'empilement sera desserré de l'arbre du moteur, tenir l'arbre par l'anneau de retenue à l'aide d'une pince ou d'un outil similaire, puis sortir l'empilement du boîtier. Il faudra peut-être déplacer l'empilement de droite à gauche pour le dégager du boîtier.

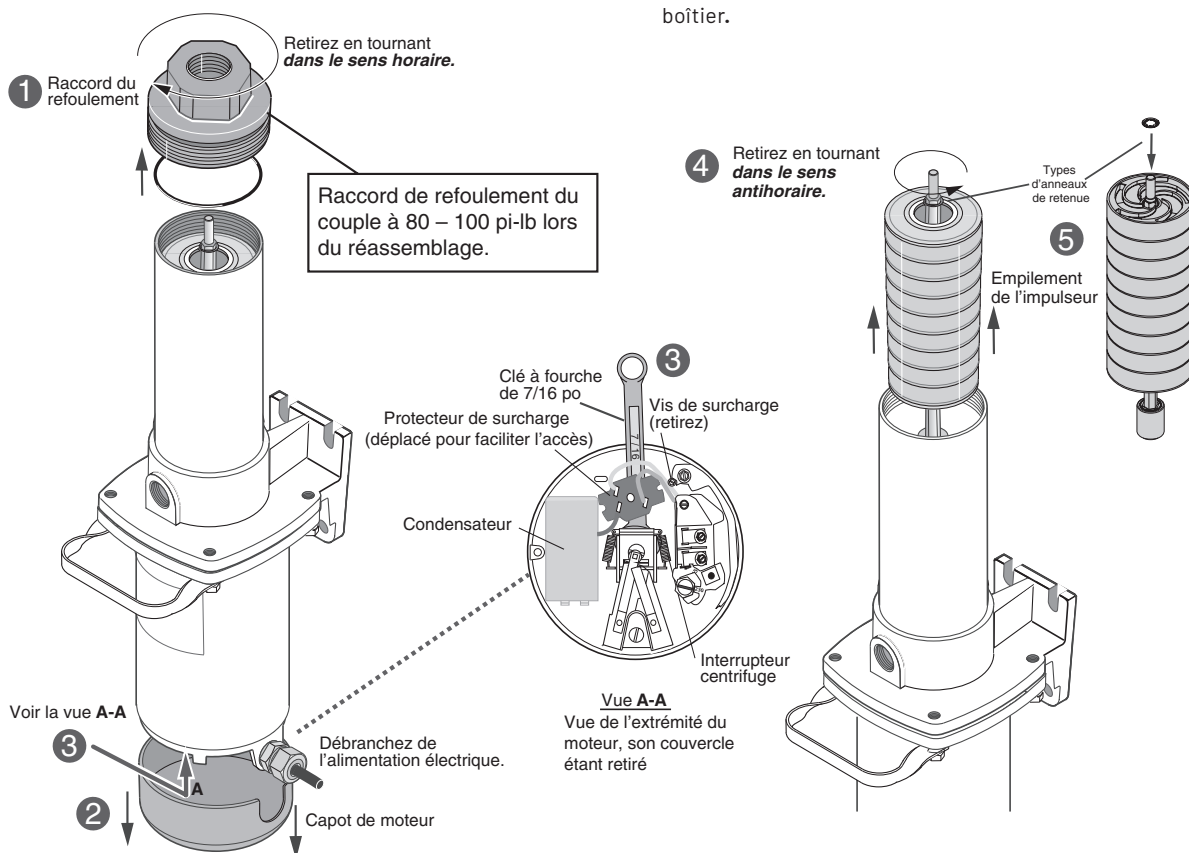


FIGURE 8 – REMPLACEMENT DE L'EMPILEMENT D'IMPULSEURS

## REPLACEMENT DE L'EMPILEMENT D'IMPULSEURS, SUITE

Pour installer l'empilement de rechange d'impulseurs, laisser la pompe en position verticale, son moteur étant toujours orienté vers le bas, puis suivre les étapes 7 ci-dessous.

6. Au besoin, utilisez ces conseils de remontage :
  - ◆ Appliquer une solution d'eau savonneuse sur les joints toriques de l'aspiration et du refoulement pour installer plus facilement le boîtier.
  - ◆ S'assurer que le ressort du joint mécanique de l'arbre est dans la bonne position sur l'arbre du moteur.
  - ◆ Sur les modèles triphasés, appliquez de la Loctite® n° 271 sur le filetage de l'arbre du moteur avant de réinstaller l'empilement.
7. À l'aide d'une pince, retirez et jetez l'anneau de retenue à pression de l'empilement de rechange.
8. Retirez le diffuseur supérieur pour accéder à l'arbre hexagonal. Sur certains modèles, il peut être nécessaire de retirer également le disque de butée et l'impulseur pour dégager suffisamment la partie hexagonale de l'arbre pour pouvoir y placer une clé.
9. Assemblez l'empilement de rechange sur l'arbre du moteur en suivant l'étape 5 ci-dessus et en tournant l'arbre dans le sens des aiguilles d'une montre.
10. Une fois que l'arbre est en place, réinstallez le diffuseur à l'extrémité de l'empilement de la pompe. Il n'est pas nécessaire de réinstaller l'anneau de retenue à pression.
11. Terminez le remplacement de l'empilement en procédant à l'inverse de l'étape 4 ci-dessus.

## REPLACEMENT DU JOINT MÉCANIQUE

Reportez-vous aux figures 8 et 9. Il est plus facile de procéder à cette opération pendant que la pompe est retenue en position verticale, son moteur étant orienté vers le bas.

1. Complétez d'abord les instructions précédentes de démontage de la pompe sous la section **Remplacement de l'empilement d'impulseurs**.
2. Retirez les quatre vis d'assemblage qui retiennent le corps de la pompe sur le moteur. La poignée de la pompe viendra avec les vis d'assemblage du haut.
3. Dévisser le boîtier du corps de la pompe en le tournant dans le sens horaire (filets à gauche).
4. Retirer le ressort du joint mécanique de l'arbre ainsi que la moitié rotative du joint de l'arbre du moteur. Il faut être prudent lors du retrait de la moitié rotative du joint et faire attention de ne pas rayer l'arbre du moteur.
5. Retirer le corps de la pompe du moteur, puis le déposer sur une surface plane, face vers le bas. À nouveau, faire bien attention de ne pas rayer l'arbre du moteur.
6. Avec un tournevis, pousser le siège en céramique de la cavité du joint, comme illustré.
7. Installation d'un nouveau siège en céramique :
  - A. Tourner le corps de la pompe à l'envers de façon à ce que la cavité du joint soit orientée vers le haut. Bien nettoyer la cavité.
  - B. À l'aide d'un chiffon propre, bien nettoyer la surface polie du siège en céramique.
  - C. Avec de l'eau savonneuse, lubrifier la partie extérieure en caoutchouc du siège. Poser une rondelle en carton sur la surface polie du siège, puis pousser cette rondelle en carton dans la cavité du joint à l'aide d'une douille de 3/4 po ou d'un morceau de boyau standard de 3/4 po.
  - D. S'assurer que la surface polie du siège est bien propre et qu'elle n'a pas été endommagée lorsqu'on l'a introduite. Essuyer l'eau savonneuse en trop. Jeter la rondelle en carton.
5. Installation de la moitié rotative du joint et du ressort :
  - F. Prudemment, reposer le corps de la pompe sur le moteur en faisant bien attention de ne pas heurter la partie céramique du joint qui se trouve sur l'arbre du moteur. Rattacher le corps de la pompe sur le moteur avec les vis d'assemblage. Ne pas oublier de reposer la poignée de la pompe en même temps.
  - G. Inspecter l'arbre pour s'assurer qu'il est propre.
  - H. Avec un chiffon propre, nettoyer la moitié rotative du joint.
  - I. Avec de l'eau savonneuse, lubrifier le diamètre intérieur de la moitié rotative du joint, puis glisser cette moitié sur l'arbre du moteur (le côté faisant étanchéité en premier).
  - J. Replacer le ressort sur l'arbre du moteur de façon à ce qu'il repose sur la moitié rotative du joint.
9. Pour terminer le remontage à partir de ce point, suivre à l'inverse les étapes de la section **Remplacement de l'empilement d'impulseurs**. Pour faciliter la réinstallation du boîtier, lubrifier les joints toriques de l'aspiration et du refoulement avec de l'eau savonneuse.

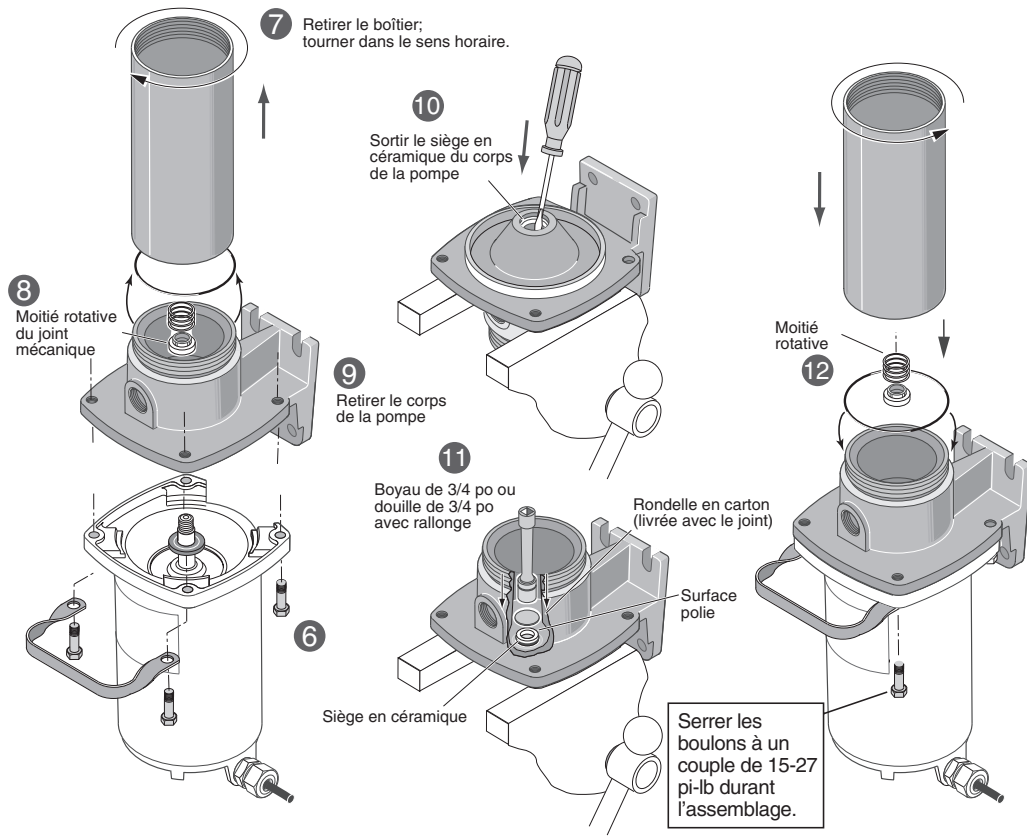
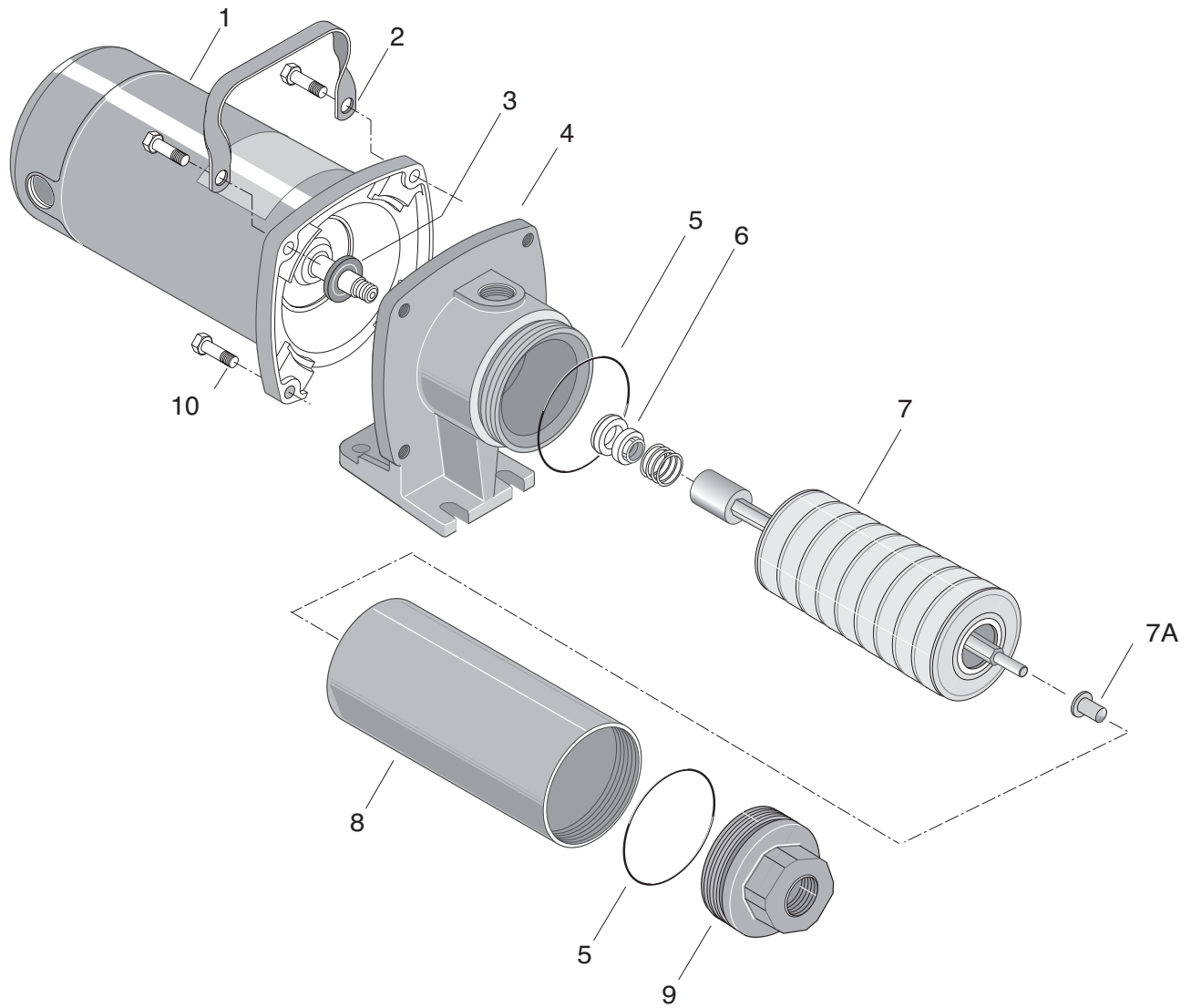


FIGURE 9 – REMPLACEMENT DU JOINT MÉCANIQUE

# LISTE DES PIÈCES



Les accessoires suivants peuvent être commandés pour les pompes de surpression à pression élevée :

DESCRIPTION	N° DE PIÈCE
Boyau 6 pi 3/4 po avec extrémités femelles (valeur nominale 150 psi)	PKG 83
Boyau 25 pi 3/4 po avec extrémités mâles et femelles (valeur nominale 150 psi)	PKG 84
Adaptateur 3/4 po NPT x boyau 3/4 po	PKG 85
Buse - pression élevée	PKG 86



# LISTE DES PIÈCES

## MODÈLES BERKELEY

NUMÉRO	DESCRIPTION DE LA PIÈCE	QTÉ	1/2 HP	3/4 HP	1HP	1 1/2 HP	2 HP	3 HP
1	Moteur monophasé	1	J218-1652	J218-1653	J218-1655	J218-1656	J218-1657	AE100HLL
1	Moteur triphasé	1	AP100CH	AP100DL2	AP100EH	AP100FH	AP100GH	AP100HL
2	Poignée**	-	C54-21	C54-21	C54-21	C54-21	C54-21	C54-21
3	Défecteur d'eau	1	17351-0009	17351-0009	17351-0009	17351-0009	17351-0009	17351-0009
4	Corps de la pompe - HP7, série HP10	1	C2-85	C2-85	C2-85	C2-85	C2-85	-
4	Corps de la pompe - HPS7, série HPS10	1	C2-86SS	C2-86SS	C2-86SS	C2-86SS	C2-86SS	-
4	Corps de la pompe - série HP20	1	-	-	C2-85A	C2-85A	C2-85A	C2-85A
4	Corps de la pompe - série HPS20	1	-	-	C2-86SSA	C2-86SSA	C2-86SSA	C2-86SSA
4	Corps de la pompe - série HP30	1	-	-	C2-85B	C2-85B	C2-85B	C2-85B
4	Corps de la pompe - série HPS30	1	-	-	C2-86SSB	C2-86SSB	C2-86SSB	C2-86SSB
5	Joint torique	2	U9-430	U9-430	U9-430	U9-430	U9-430	U9-430
6	Ensemble du joint d'étanchéité de l'arbre	1	U109-118	U109-118	U109-118	U109-118	U109-118	U109-118
7	Empilement de la pompe - 7 gal/min	1	P325-422R	P325-423R	P325-424R	-	-	-
7	Empilement de la pompe - 10 gal/min	1	P325-425R	P325-426R	P325-439R	P325-428R	P325-429R	-
7	Empilement de la pompe - 20 gal/min	1	-	-	P325-602R	P325-431R	P325-432R	P325-718R
7	Empilement de la pompe - 30 gal/min	1	-	-	P325-719R	P325-720R	P325-721R	P325-722\$
7A	Nylatron® Roulement (compris avec la clé no. 9)	1	W31112	W31112	W31112	W31112	W31112	W31112
8	Boîtier de pompe - 7 gal/min	1	P56-430SSL	P56-431SSL	P56-432SSL	-	-	-
8	Boîtier de pompe - 10 gal/min	1	P56-460SSL	P56-461SSL	P56-469SSL	P56-452SSL	P56-432SSL	-
8	Boîtier de pompe - 20 gal/min	1	-	-	P56-433SSL	P56-434SSL	P56-452SSL	P56-620SSL
8	Boîtier de pompe - 30 gal/min	1	-	-	P56-621SSL	P56-622SSL	P56-434SSL	P56-615SSL
9	Ensemble du refoulement - HP7, série HP10	1	C152-3	C152-3	C152-3	C152-3	C152-4	-
9	Ensemble du refoulement - HPS7, série HPS10	1	C152-4	C152-4	C152-4	C152-4	C152-4	-
9	Ensemble du refoulement - série HP20	1	-	-	C152-3A	C152-3A	C152-3A	C152-3A
9	Ensemble du refoulement - série HPS20	1	-	-	C152-4A	C152-4A	C152-4A	C152-4A
9	Ensemble du refoulement - série HP30	1	-	-	C152-3B	C152-3B	C152-3B	C152-3B
9	Ensemble du refoulement - série HPS30	1	-	-	C152-4B	C152-4B	C152-4B	C152-4B
10	Vis d'assemblage hexagonale de 3/8 x 16 x 1 1/2 po - série HP	4	U30-982ZP	U30-982ZP	U30-982ZP	U30-982ZP	U30-982ZP	U30-982ZP
10	Vis d'assemblage hexagonale de 3/8 x 16 x 1 1/2 po - série HPS	4	S25983	S25983	S25983	S25983	S25983	S25983
*	Connecteur de cordon - HP7 seulement	1	U71-7	U71-7	-	-	-	-
*	Cordon - HP7 seulement	1	U17-402	U17-1238	-	-	-	-

\* Non illustré

\*\* Ne sont pas livrées en standard avec les pompes

# LISTE DES PIÈCES

## MODÈLES MYERS

NUMÉRO	DESCRIPTION DE LA PIÈCE	QTÉ	1/2 HP	3/4 HP	1 HP	1 1/2 HP	2 HP	3 HP
1	Moteur monophasé	1	J218-1652	J218-1653	J218-1655	J218-1656	J218-1657	AE100HLL
2	Poignée**	-	C54-21	C54-21	C54-21	C54-21	C54-21	C54-21
3	Défecteur d'eau	1	17351-0009	17351-0009	17351-0009	17351-0009	17351-0009	17351-0009
4	Corps de la pompe - HP7, série HP10	1	C2-85	C2-85	C2-85	C2-85	C2-85	-
4	Corps de la pompe - série HP20	1	-	-	C2-85A	C2-85A	C2-85A	C2-85A
4	Corps de la pompe - série HP30	1	-	-	C2-85B	C2-85B	C2-85B	C2-85B
5	Joint torique	2	U9-430	U9-430	U9-430	U9-430	U9-430	U9-430
6	Ensemble du joint d'étanchéité de l'arbre	1	U109-118	U109-118	U109-118	U109-118	U109-118	U109-118
7	Empilement de la pompe - 7 gal/min	1	P325-422R	P325-423R	P325-424R	-	-	-
7	Empilement de la pompe - 10 gal/min	1	P325-425R	P325-426R	P325-439R	P325-428R	P325-429R	-
7	Empilement de la pompe - 20 gal/min	1	-	-	P325-602R	P325-431R	P325-432R	P325-718R
7	Empilement de la pompe - 30 gal/min	1	-	-	P325-719R	P325-720R	P325-721R	P325-722S
7A	Roulement Nylatron® (compris avec la clé no. 9)	1	W31112	W31112	W31112	W31112	W31112	W31112
8	Boîtier de pompe - 7 gal/min	1	P56-430SSL	P56-431SSL	P56-432SSL	-	-	-
8	Boîtier de pompe - 10 gal/min	1	P56-460SSL	P56-461SSL	P56-469SSL	P56-452SSL	P56-432SSL	-
8	Boîtier de pompe - 20 gal/min	1	-	-	P56-433SSL	P56-434SSL	P56-452SSL	P56-620SSL
8	Boîtier de pompe - 30 gal/min	1	-	-	P56-621SSL	P56-622SSL	P56-434SSL	P56-615SSL
9	Ensemble du refoulement - HP7, série HP10	1	C152-3	C152-3	C152-3	C152-3	C152-4	-
9	Ensemble du refoulement - série HP20	1	-	-	C152-3A	C152-3A	C152-3A	C152-3A
9	Ensemble du refoulement - série HP30	1	-	-	C152-3B	C152-3B	C152-3B	C152-3B
10	Vis d'assemblage hexagonale de 3/8 x 16 x 1 1/2 po - série HP	4	U30-982ZP	U30-982ZP	U30-982ZP	U30-982ZP	U30-982ZP	U30-982ZP
10	Vis d'assemblage hexagonale de 3/8 x 16 x 1 1/2 po - série HPS	4	S25983	S25983	S25983	S25983	S25983	S25983
*	Connecteur de cordon - HP7 seulement	1	U71-7	U71-7	-	-	-	-
*	Cordon - HP7 seulement	1	U17-402	U17-1238	-	-	-	-

\* Non illustré

\*\* Ne sont pas livrées en standard avec les pompes

# LISTE DES PIÈCES

## MODÈLES STA-RITE

NUMÉRO	DESCRIPTION DE LA PIÈCE	QTÉ	1/2 HP	3/4 HP	1HP	1 1/2 HP	2 HP	2 1/2 HP	3 HP
1	Moteur monophasé	1	J218-1652	J218-1653	J218-1655	J218-1656	J218-1657	AE100HLL	AE100HLL
1	Moteur triphasé	1	AP100CH	AP100DL2	AP100EH	AP100FH	AP100GH	AP100HL	AP100HL
2	Poignée**	-	C54-21	C54-21	C54-21	C54-21	C54-21	C54-21	C54-21
3	Défecteur d'eau	1	17351-0009	17351-0009	17351-0009	17351-0009	17351-0009	17351-0009	17351-0009
4	Corps de la pompe - HP7, série HP10	1	C2-85	C2-85	C2-85	C2-85	C2-85	-	-
4	Corps de la pompe - HPS7, série HPS10	1	C2-86SS	C2-86SS	C2-86SS	C2-86SS	C2-86SS	-	-
4	Corps de la pompe - série HP20	1	-	-	C2-85A	C2-85A	C2-85A	C2-85A	C2-85A
4	Corps de la pompe - série HPS20	1	-	-	C2-86SSA	C2-86SSA	C2-86SSA	C2-86SSA	C2-86SSA
4	Corps de la pompe - série HP30	1	-	-	C2-85B	C2-85B	C2-85B	C2-85B	C2-85B
4	Corps de la pompe - série HPS30	1	-	-	C2-86SSB	C2-86SSB	C2-86SSB	C2-86SSB	C2-86SSB
5	Joint torique	2	U9-430	U9-430	U9-430	U9-430	U9-430	U9-430	U9-430
6	Ensemble du joint d'étanchéité de l'arbre	1	U109-118	U109-118	U109-118	U109-118	U109-118	U109-118	U109-118
7	Empilement de la pompe - 7 gal/min	1	P325-422R	P325-423R	P325-424R	-	-	-	-
7	Empilement de la pompe - 10 gal/min	1	P325-425R	P325-426R	P325-439R	P325-428R	P325-429R	-	-
7	Empilement de la pompe - 20 gal/min	1	-	-	P325-602R	P325-431R	P325-432R	P325-632R	P325-718R
7	Empilement de la pompe - 30 gal/min	1	-	-	P325-719R	P325-720R	P325-721R	P325-1190R	P325-722S
7A	Roulement Nylatron® (compris avec la clé no. 9)	1	W31112	W31112	W31112	W31112	W31112	W31112	W31112
8	Boîtier de pompe - 7 gal/min	1	P56-430SSL	P56-431SSL	P56-432SSL	-	-	-	-
8	Boîtier de pompe - 10 gal/min	1	P56-460SSL	P56-461SSL	P56-469SSL	P56-452SSL	P56-432SSL	-	-
8	Boîtier de pompe - 20 gal/min	1	-	-	P56-433SSL	P56-434SSL	P56-452SSL	P56-611SSL	P56-620SSL
8	Boîtier de pompe - 30 gal/min	1	-	-	P56-621SSL	P56-622SSL	P56-434SSL	P56-968SSL	P56-615SSL
9	Ensemble du refoulement - HP7, série HP10	1	C152-3	C152-3	C152-3	C152-3	C152-4	-	-
9	Ensemble du refoulement - HPS7, série HPS10	1	C152-4	C152-4	C152-4	C152-4	C152-4	-	-
9	Ensemble du refoulement - série HP20	1	-	-	C152-3A	C152-3A	C152-3A	C152-3A	C152-3A
9	Ensemble du refoulement - série HPS20	1	-	-	C152-4A	C152-4A	C152-4A	C152-4A	C152-4A
9	Ensemble du refoulement - série HP30	1	-	-	C152-3B	C152-3B	C152-3B	C152-3B	C152-3B
9	Ensemble du refoulement - série HPS30	1	-	-	C152-4B	C152-4B	C152-4B	C152-4B	C152-4B
10	Vis d'assemblage hexagonale - 3/8 x 16 x 11/2 po, série HP	4	U30-982ZP	U30-982ZP	U30-982ZP	U30-982ZP	U30-982ZP	U30-982ZP	U30-982ZP
10	Vis d'assemblage hexagonale - 3/8 x 16 x 11/2 po, série HPS	4	S25983	S25983	S25983	S25983	S25983	S25983	S25983
*	Connecteur de cordon - HP7 seulement	1	U71-7	U71-7	-	-	-	-	-
*	Cordon - HP7 seulement	1	U17-402	U17-1238	-	-	-	-	-

\* Non illustré

\*\* Ne sont pas livrées en standard avec les pompes

## GARANTIE BERKELEY

Pentair BERKELEY® garantit à l'acheteur initial (« l'acheteur » ou « vous ») des produits énumérés dans le tableau ci-dessous, qu'ils seront exempts de défauts de matériaux et de fabrication pendant la période de garantie indiquée dans le tableau ci-dessous.

PRODUIT	PÉRIODE DE GARANTIE SELON LA PREMIÈRE ÉVENTUALITÉ :
Produits pour les systèmes d'eau – pompes à jet, petites pompes centrifuges, pompes submersibles et accessoires connexes	12 mois à partir de la date d'installation initiale ou 18 mois à partir de la date de fabrication
Réservoirs en composite Pentair Pro-Source®	5 ans à partir de la date d'installation initiale
Réservoirs sous pression en acier Pentair Pro-Source®	5 ans à partir de la date d'installation initiale
Réservoirs avec doublure en époxy Pentair Pro-Source®	3 ans à partir de la date d'installation initiale
Agricole/commercial :	
Pompes centrifuges : entraînement moteur monobloc, support sur châssis, support SAE, entraînement moteur, VMS, SSCX, SSHM	12 mois à partir de la date d'installation initiale ou 24 mois à partir de la date de fabrication
Turbines submersibles, 6 po de diamètre et plus	12 mois à partir de la date d'installation initiale ou 24 mois à partir de la date de fabrication

Notre garantie ne s'applique pas aux produits qui, à notre seul avis, ont fait l'objet de négligence, d'une mauvaise utilisation, d'une mauvaise installation ou d'un manque d'entretien adéquat. Voici quelques exceptions qui peuvent entraîner le refus d'une réclamation dans le cadre de la garantie (cette liste n'est pas exhaustive) :

- ◆ Dommages causés par une manipulation négligente, un réemballage inapproprié ou l'expédition.
- ◆ Dommages causés par une mauvaise application, une mauvaise utilisation, un abus ou un manquement à faire fonctionner l'équipement comme spécifié dans le manuel du propriétaire.
- ◆ Dommages causés par une installation des produits qui n'était pas conforme aux indications spécifiées dans la notice d'utilisation.
- ◆ Dommages causés par des modifications non autorisées du produit ou un défaut d'utilisation des pièces de rechange d'origine Pentair.
- ◆ Dommages causés par la négligence ou un entretien des produits qui n'était pas conforme aux indications spécifiées dans la notice d'utilisation.
- ◆ Dommage causé par la congélation de l'eau à l'intérieur du produit.
- ◆ Dommages accidentels, incendie, événements de force majeure ou autres circonstances indépendantes de la volonté de Pentair.

Sans limiter ce qui précède, l'utilisation d'un moteur triphasé avec une alimentation monophasée par l'intermédiaire d'un convertisseur de phase annulera la garantie. Veuillez également noter que les moteurs triphasés doivent être protégés par des relais de surcharge à trois branches, à compensation ambiante et à déclenchement extrarapide, du calibre recommandé, sans quoi la garantie est annulée.

Tous les diamètres de roue mentionnés dans le programme de dimensionnement de la pompe BEC2 ont été testés et déterminés pour ne pas dépasser le coefficient de service du moteur spécifié. Des diamètres de roue surdimensionnés peuvent être demandés, mais l'utilisation d'une roue surdimensionnée annulera toute demande de garantie.

Votre seul recours, et la seule obligation de BERKELEY dans le cadre de cette garantie, consiste à ce que BERKELEY répare ou remplace les produits défectueux (au choix de BERKELEY). LES RECOURS DÉCRITS DANS LE PRÉSENT DOCUMENT CONSTITUENT VOS SEULS ET UNIQUES RECOURS ET NOTRE ENTIÈRE RESPONSABILITÉ EN CAS DE VIOLATION DE LA PRÉSENTE GARANTIE.

Vous devez payer tous les frais de main-d'œuvre et d'expédition associés à la garantie et vous adresser au concessionnaire-installateur dès qu'un problème est découvert pour obtenir un service sous garantie. Aucune demande d'entretien ne sera acceptée si elle est reçue après l'expiration de la période de garantie. Cette garantie n'est pas transférable.

LA RESPONSABILITÉ DE BERKELEY NE DÉPASSERA EN AUCUN CAS LE MONTANT RÉEL PAYÉ PAR VOUS POUR LE PRODUIT EN CAUSE. BERKELEY NE SAURAIT, EN AUCUNE CIRCONSTANCE, ÊTRE TENUE RESPONSABLE DES DOMMAGES OU PERTES IMMATÉRIELS, ACCESSOIRES, SPÉCIAUX, PUNITIFS OU ÉVENTUELS, QUELS QU'ILS SOIENT, DIRECTEMENT OU INDIRECTEMENT. LA GARANTIE QUI PRÉCÈDE EST EXCLUSIVE. À L'EXCEPTION DE LA GARANTIE ÉNONCÉE DANS LE PRÉSENT DOCUMENT, BERKELEY N'OFFRE AUCUNE GARANTIE QUELLE QU'ELLE SOIT EN CE QUI CONCERNE LES PRODUITS, Y COMPRIS, MAIS SANS S'Y LIMITER, TOUTE GARANTIE DE QUALITÉ MARCHANDE OU D'ADÉQUATION À UN USAGE PARTICULIER, QU'ELLE SOIT EXPRESSE OU IMPLICITE EN VERTU DE LA LOI, DES PRATIQUES COMMERCIALES, DES PERFORMANCES, DE L'USAGE DU COMMERCE OU AUTRE.

LES GARANTIES QUI PRÉCÈDENT NE SERONT PAS PROLONGÉES AU-DELÀ DE LA PÉRIODE PRÉVUE DANS LES PRÉSENTES. Certains États ou provinces n'autorisent pas d'exclure ou de limiter les dommages fortuits ou indirects ou de limiter la durée d'une garantie implicite; il se peut donc que les limitations ou exclusions ci-dessus ne s'appliquent pas à votre cas. Cette garantie vous donne des droits juridiques spécifiques et vous pourriez également avoir d'autres droits, qui varient d'un État à l'autre.

La présente garantie prend effet le 14 juillet 2020 et remplace toutes les garanties non datées ainsi que les garanties datées antérieures à cette date.

# GARANTIE MYERS

## GARANTIE LIMITÉE

Myers® garantit à l'acheteur initial (« l'acheteur » ou « vous ») des produits figurant ci-dessous qu'ils seront exempts de tout défaut de matériau et de fabrication pour la période de garantie indiquée ci-dessous.

PRODUIT	PÉRIODE DE GARANTIE SELON LA PREMIÈRE ÉVENTUALITÉ :
Pompes à jet, petites pompes centrifuges, pompes submersibles et accessoires connexes	12 mois à compter de la date d'installation initiale ou 18 mois à compter de la date de fabrication.
Réservoirs en fibre enroulée	5 ans à partir de la date d'installation initiale
Réservoirs sous pression en acier	5 ans à partir de la date d'installation initiale
Produits de puisard/égout/effluent/services/batterie de secours	36 mois à partir de la date de fabrication
Pompes de traitement des matières solides des eaux usées	12 mois à partir de la date d'expédition de l'usine ou 18 mois à partir de la date de fabrication

## NETTOYAGE DE LA BUSE (BASSE PRESSION)

Notre garantie s'applique uniquement quand ces produits sont utilisés conformément aux exigences du catalogue et/ou des manuels des produits concernés. Pour plus d'informations, consultez la garantie limitée standard applicable dans le manuel du produit.

Notre garantie ne s'appliquera pas à un produit qui, selon notre seul jugement, a fait l'objet de négligence, d'une mauvaise utilisation, d'une mauvaise installation ou d'un mauvais entretien. Sans limiter ce qui précède, l'utilisation d'un moteur triphasé avec une alimentation monophasée par l'intermédiaire d'un convertisseur de phase annulera la garantie. Veuillez également noter que les moteurs triphasés doivent être protégés par des relais de surcharge à trois branches, à compensation ambiante et à déclenchement extrarapide, du calibre recommandé, sans quoi la garantie est annulée.

Votre seul recours et la seule responsabilité de MYERS sont que MYERS répare ou remplace les produits défectueux (au choix de MYERS). Vous devez payer tous les frais de main-d'œuvre et d'expédition associés à cette garantie et réclamer un service en vertu de la garantie auprès du détaillant Pentair Pro ayant effectué l'installation dès qu'un problème est détecté. Aucune demande d'entretien ne sera acceptée si elle est reçue après l'expiration de la période de garantie. Cette garantie n'est pas transférable.

MYERS NE SERA TENUE RESPONSABLE D'AUCUN DOMMAGE CONSÉCUTIF, INDIRECT OU ACCESSOIRE, QUEL QU'IL SOIT.

LES GARANTIES LIMITÉES SUSMENTIONNÉES SONT LES SEULES GARANTIES OFFERTES ET REMPLACENT TOUTES LES AUTRES GARANTIES EXPRESSES ET IMPLICITES, Y COMPRIS, SANS S'Y LIMITER, LES GARANTIES IMPLICITES DE QUALITÉ MARCHANDE ET D'ADAPTATION À UN USAGE PARTICULIER. LES GARANTIES LIMITÉES QUI PRÉCÈDENT NE SE PROLONGENT PAS AU-DELÀ DE LA PÉRIODE PRÉVUE AUX PRÉSENTES.

Certains États ou provinces n'autorisent pas d'exclure ou de limiter les dommages fortuits ou indirects ou de limiter la durée d'une garantie implicite; il se peut donc que les limitations ou exclusions ci-dessus ne s'appliquent pas à votre cas. Cette garantie vous donne des droits juridiques spécifiques et vous pourriez également avoir d'autres droits, qui varient d'un État à l'autre.

La présente garantie limitée entre en vigueur le 1er janvier 2021 et remplace toutes les garanties non datées ainsi que celles antérieures à cette date.

# GARANTIE STA-RITE

---

## GARANTIE LIMITÉE

STA-RITE garantit à l'acheteur initial (« l'acheteur » ou « vous ») des produits figurant ci-dessous qu'ils seront exempts de tout défaut de matériau et de fabrication pour la période de garantie indiquée ci-dessous.

<b>PRODUIT</b>	<b>PÉRIODE DE GARANTIE SELON LA PREMIÈRE ÉVENTUALITÉ :</b>
Produits pour les systèmes d'eau – pompes à jet, petites pompes centrifuges, pompes submersibles et accessoires connexes	12 mois à partir de la date d'installation initiale ou 18 mois à partir de la date de fabrication
Réservoirs Pro-Source™ en composite	5 ans à partir de la date d'installation initiale
Réservoirs sous pression en acier Pro-Source™	5 ans à partir de la date d'installation initiale
Réservoirs à revêtement époxy Pro-Source™	3 ans à partir de la date d'installation initiale
Bassin de décantation/eaux usées/produits d'effluents	12 mois à partir de la date d'installation initiale, ou 18 mois à partir de la date de fabrication

Notre garantie ne s'appliquera pas à un produit qui, selon notre seul jugement, a fait l'objet de négligence, d'une mauvaise utilisation, d'une mauvaise installation ou d'un mauvais entretien. Sans limiter ce qui précède, l'utilisation d'un moteur triphasé avec une alimentation monophasée par l'intermédiaire d'un convertisseur de phase annulera la garantie. Veuillez également noter que les moteurs triphasés doivent être protégés par des relais de surcharge à trois branches, à compensation ambiante et à déclenchement extrarapide, du calibre recommandé, sans quoi la garantie est annulée.

Votre seul recours et la seule responsabilité de STA-RITE sont que STA-RITE répare ou remplace les produits défectueux (au choix de STA-RITE). Vous devez payer tous les frais de main-d'œuvre et d'expédition associés à cette garantie et réclamer un service en vertu de la garantie auprès du détaillant Pentair Pro ayant effectué l'installation dès qu'un problème est détecté. Aucune demande d'entretien ne sera acceptée si elle est reçue après l'expiration de la période de garantie. Cette garantie n'est pas transférable.

STA-RITE NE SERA TENUE RESPONSABLE D'AUCUN DOMMAGE CONSÉCUTIF, INDIRECT OU ACCESSOIRE, QUEL QU'IL SOIT. LES GARANTIES QUI PRÉCÈDENT SONT LES SEULES GARANTIES OFFERTES ET ELLES REMPLACENT TOUTES LES AUTRES GARANTIES EXPRESSES ET IMPLICITES, Y COMPRIS, MAIS SANS S'Y LIMITER, LES GARANTIES IMPLICITES DE QUALITÉ MARCHANDE ET D'ADÉQUATION À UN USAGE PARTICULIER. LES GARANTIES QUI PRÉCÈDENT NE SERONT PAS PROLONGÉES AU-DELÀ DE LA PÉRIODE EXPRESSÉMENT PRÉVUE DANS LES PRÉSENTES. Certains États ou provinces n'autorisent pas d'exclure ou de limiter les dommages fortuits ou indirects ou de limiter la durée d'une garantie implicite; il se peut donc que les limitations ou exclusions ci-dessus ne s'appliquent pas à votre cas. Cette garantie vous donne des droits juridiques spécifiques et vous pourriez également avoir d'autres droits, qui varient d'un État à l'autre.

La présente garantie limitée entre en vigueur le 1er juin 2011 et remplace toutes les garanties non datées ainsi que les garanties antérieures au 1er juin 2011.

**PAGE LAISSÉE VIERGE INTENTIONNELLEMENT**



293 Wright St  
Delavan, WI 53115  
Tél. : 888 987-8677  
Télé. : 800 426-9446

490 Pinebush Road, Unit 4  
Cambridge, Ontario  
Canada N1T 0A5  
Tél. : 800 363-7867

[pentair.com](http://pentair.com)

Toutes les marques de commerce et tous les logos Pentair indiqués appartiennent à Pentair. Les marques de commerce et les logos déposés et non déposés de tiers appartiennent à leurs propriétaires respectifs. Comme Pentair cherche constamment à améliorer ses produits et ses services, elle se réserve le droit d'en modifier les spécifications sans préavis. Pentair souscrit au principe de l'égalité d'accès à l'emploi.

Viton® est une marque déposée de The Chemours Company FC, LLC  
Loctite® est une marque déposée de Henkel AG & Company KGaA.  
Nylatron® est une marque déposée et une marque de Quadrant Epp USA, Inc.

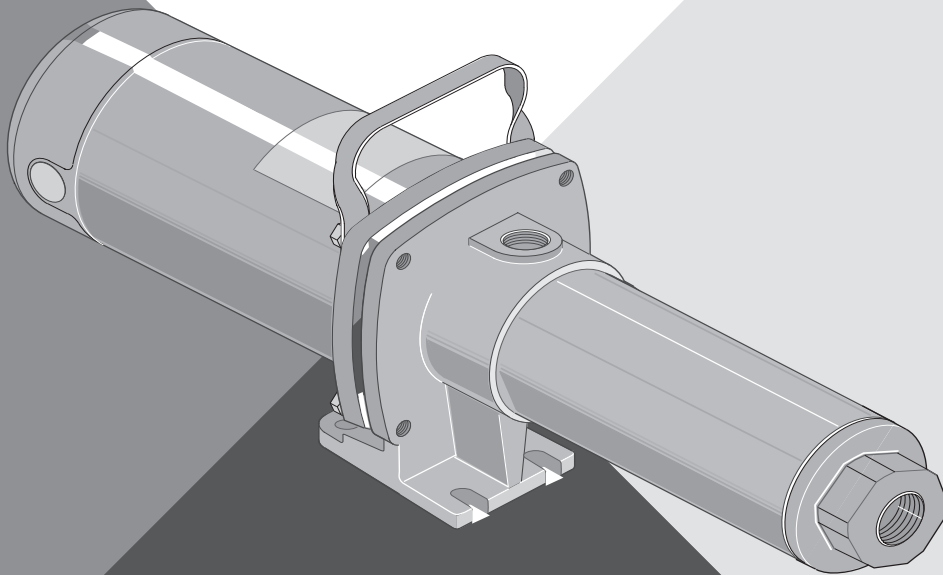
© Pentair, 2023. Tous droits réservés.

P15005 (09-15-23)



# PRO BOMBA AUXILIAR DE ALTA PRESIÓN

## MODELOS DE 60 HZ, 1/2 - 3 HP



# MANUAL DEL PROPIETARIO

[pentair.com](http://pentair.com)

# ÍNDICE


---


INFORMACIÓN DE SEGURIDAD .....	43
INSTALACIÓN Y FUNCIONAMIENTO .....	44
SISTEMA ELÉCTRICO .....	46
MANTENIMIENTO .....	49
LISTA DE PARTES .....	52
GARANTÍAS .....	56


# INFORMACIÓN DE SEGURIDAD


## SÍMBOLOS DE SEGURIDAD

Para evitar el riesgo de lesiones personales graves y daños a la propiedad, lea atentamente las instrucciones de seguridad antes de instalar la bomba.

 Este es el símbolo de alerta de seguridad. Cuando vea este símbolo en su bomba o en este manual, busque una de las siguientes palabras de aviso y preste atención a la posibilidad de sufrir lesiones personales:


 **PELIGRO** indica un peligro que, si no se evita, resultará en la muerte o lesiones graves.

 **ADVERTENCIA** indica un peligro que, si no se evita, puede resultar en la muerte o lesiones graves.

 **PRECAUCIÓN** indica un peligro que, si no se evita, puede o podría resultar en lesiones leves o moderadas.

La palabra **NOTA** indica instrucciones especiales que son importantes pero que no están relacionadas con peligros.

## ADVERTENCIA CONFORME A LA PROPUESTA 65 DE CALIFORNIA

 Este producto y sus accesorios relacionados contienen productos químicos que en el Estado de California se sabe que causan cáncer, defectos congénitos y otros daños en el sistema reproductivo.

## SEGURIDAD GENERAL

Lea atentamente y siga todas las instrucciones de seguridad en este manual y en las bombas. Mantenga las etiquetas de seguridad en buen estado. Reemplace las etiquetas de seguridad faltantes o dañadas.


El "servicio intermitente" es cuando el motor funciona o arranca con determinada frecuencia dentro de un marco de tiempo que produce que el motor alcance los límites térmicos máximos. Una vez alcanzado el límite térmico máximo, se debe dejar que el motor vuelva a estar la temperatura ambiente antes de ponerlo en funcionamiento nuevamente.


**NO** use la bomba para bombear líquidos inflamables. Nunca use la bomba en un entorno explosivo. El arco eléctrico de los cepillos del motor, el interruptor o el calor excesivo causado por un ciclo inadecuado del motor, pueden provocar una explosión.

**NO** asuma que los fluidos son compatibles. Si el fluido no se corresponde adecuadamente con los elastómeros de la bomba, puede ocurrir una fuga. Las bombas utilizadas para transferir químicos peligrosos o calientes (temperatura máx. de 170 °F [76 °C] Viton® solamente) deben estar en un área ventilada como protección contra la posibilidad de lesiones causadas por líquidos/vapores explosivos o dañinos.

**NO** haga funcionar la bomba a presiones que puedan provocar que el motor sobrepase el amperaje nominal indicado en la placa de identificación. Algunos modelos de bomba tienen interruptores térmicos para detener el funcionamiento en caso de calor excesivo. Una vez que la temperatura del motor esté entre los límites adecuados, se reiniciará automáticamente y la bomba comenzará a funcionar sin ninguna advertencia.

**NO** permita que la bomba o cualquier componente del sistema se congele. Si esto sucede, se podría dañar el sistema y la garantía quedará anulada.

 **PRECAUCIÓN PELIGRO DE QUEMADURAS.** No toque un motor en funcionamiento. Los motores modernos pueden funcionar a altas temperaturas. Para evitar quemaduras cuando realice el servicio de mantenimiento de la bomba, deje que se enfríe durante 20 minutos después de apagarla antes de manipularla.

 **ADVERTENCIA PRESIÓN PELIGROSA.** **NO** se debe poner en funcionamiento la bomba con la descarga cerrada, ya que la manguera podría estallar o la bomba se puede dañar debido a las altas temperaturas.

La bomba no es sumergible. Mantenga el motor seco en todo momento. No lave el motor. No lo sumerja. Proteja el motor del clima húmedo.

**USE SOLAMENTE UNA MANGUERA DE DESCARGA REFORZADA PARA ALTA PRESIÓN.** Consulte la lista de piezas para conocer la manguera, boquilla y partes disponibles. Se recomienda una válvula de alivio de alta presión.

**NO** utilice una manguera de jardín con la bomba. La manguera de jardín no soportará la presión de descarga producida y se romperá.

El flujo de descarga de alta presión es peligroso. Para evitar lesiones, **NO** dirija el flujo de descarga hacia una persona o animal.


Asegúrese de que la presión de la tubería de succión de bomba más la presión de descarga de la bomba no exceda la clasificación de presión de la manguera y las partes. Consulte el manual para las clasificaciones de presión de la descarga de bomba.


## SEGURIDAD ELÉCTRICA

Para evitar una descarga eléctrica, desconecte la corriente antes de comenzar cualquier trabajo. En caso de fallo de la bomba, la carcasa del motor y/o el fluido bombeado pueden llevar alto voltaje a componentes que normalmente se consideran seguros.

Siga los códigos de plomería locales y/o nacionales durante la instalación.

 Desenchufe la bomba antes de realizar el servicio de mantenimiento.

 Algunos modelos de bomba se suministran con un cable eléctrico de 3 conectores para conexión a tierra. Conéctala solo a un tomacorriente GFCI debidamente conectado a tierra. No levante la bomba por el cable eléctrico.

 Si va a usar una extensión eléctrica, use solamente un cable de conexión a tierra de 3 hilos para interiores/exteriores aprobado por UL. No deje que ninguna parte del cable ni que ninguno de los extremos del receptáculo esté sobre agua o lugares mojados.

# INSTALACIÓN Y FUNCIONAMIENTO

## INSTALACIÓN

Esta bomba está diseñada para aumentar la presión de agua con el fin de crear un flujo de alta presión. Si se utilizara un sistema de presión de agua existente como suministro de agua, este sistema se puede conectar a la entrada de la bomba con las partes disponibles y una manguera de alta presión de 3/4" o 1". Una manguera de succión especial de uso pesado de 3/4" o 1" con partes está disponible como un accesorio.

Si la bomba se monta de forma permanente en la pared, use una tubería o manguera resistente de 3/4" o 1" para la línea de succión. Los modelos de 20 GPM requieren una manguera de descarga de una pulgada para reducir las pérdidas de fricción, mientras que los modelos de 30 GPM requieren una de 1-1/4".

La presión de entrada máxima es de 80 PSI. La presión de descarga máxima es de 315 PSI. Se anulará la garantía si se sobrepasan estos límites de presión.

## PRESIONES DE DESCARGA

Consulte la siguiente tabla para conocer las presiones de descarga aceptables.

Para obtener la presión de descarga completa, agregue esta presión a la presión de la tubería de succión. Por ejemplo, una bomba HP7C que succiona desde una línea de servicio de agua de 100 psi producirá una presión de descarga total de 130 + 100 = 230 psi a un flujo de 0 GPM. Si la presión de succión disminuye a 50 psi, la presión de descarga disminuirá a 180 psi.

GPM	HP	CANTIDAD DE ETAPAS	PRESIÓN DE DESCARGA EN PSI A UN FLUJO NOMINAL	PRESIÓN DE DESCARGA EN PSI SIN FLUJO
7	1/2	9	90	130
7	3/4	12	123	173
7	1	16	162	229
10	1/2	6	74	113
10	3/4	8	97	147
10	1	10	134	188
10	1	11	146	202
10	1-1/2	14	173	206
10	2	16	197	260
20	1	7	75	110
20	1-1/2	9	97	143
20	2	11	123	175
20	3	15	195	250
30	1	5	59	75
30	1-1/2	6	71	91
30	2	7	81	106
30	3	11	129	167

Los números de modelo que incluyen una "S" (HPS7C, HPS10D, etc.) tienen tornillos con cabeza y un ensamblaje de succión y descarga de acero inoxidable. Los números de modelo que terminan en "3" (HP7C3, HPS10C3, etc.) tienen motores trifásicos. Los números de modelo que terminan en "T" tienen motores TEFC (totalmente cerrado enfriado por ventilador).

## INSTALACIÓN DE BOMBA AUXILIAR DE ALTA PRESIÓN

Las siguientes instrucciones cubren la instalación de bombas auxiliares de alta presión para las configuraciones mostradas a continuación.

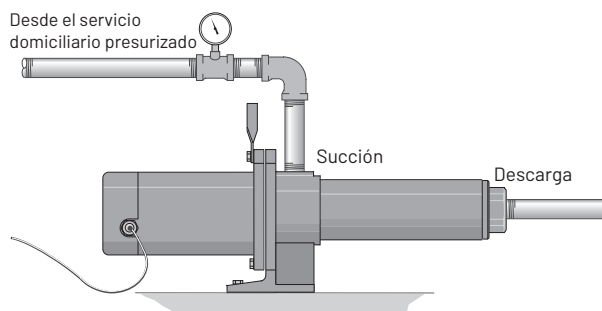


FIGURA 1 - CONEXIÓN AL SERVICIO DOMICILIARIO

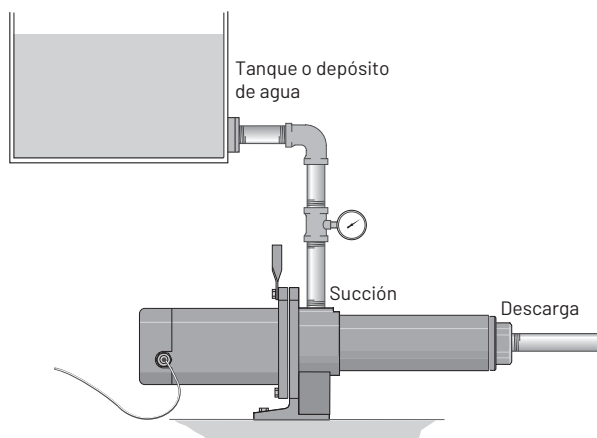


FIGURA 2 - CONEXIÓN AL DEPÓSITO DE AGUA

# INSTALACIÓN Y FUNCIONAMIENTO

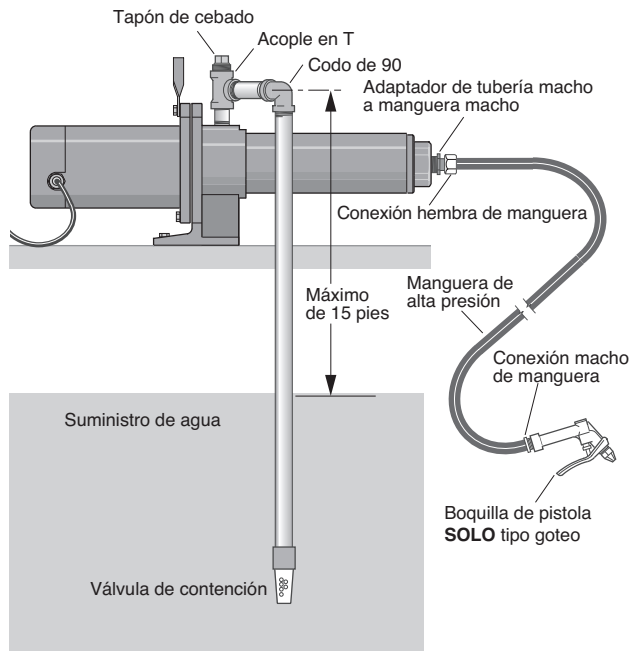


FIGURA 3 – INSTALACIÓN EN CISTERNA O POZO POCO PROFUNDO

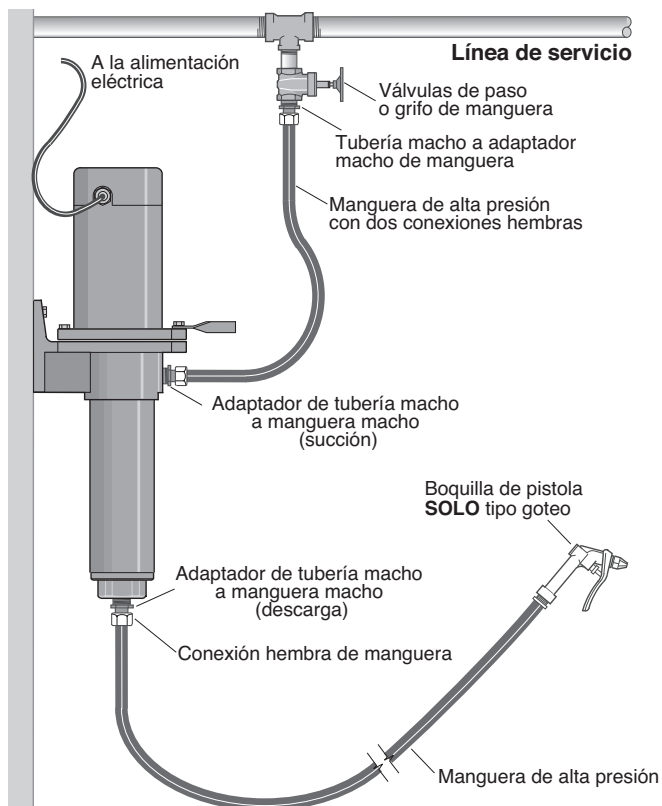


FIGURA 4 – MONTADA EN PARED A LA LÍNEA DE SERVICIO PRESURIZADA

Para reducir las pérdidas de fricción al mínimo, la línea de entrada (succión) debe ser corta y tener la mínima cantidad de codos posible. El tamaño de la entrada debe ser de acuerdo al cuadro a continuación:

AVE. GPM	TAMAÑO DE LA ENTRADA ROSCADA	TAMAÑO RECOMENDADO DE LA LÍNEA DE ENTRADA	TAMAÑO RECOMENDADO DE LA LÍNEA DE DESCARGA
7	3/4" NPT	1"	1"
10	3/4" NPT	1"	1"
20	1" NPT	1-1/4"	1-1/4"
30	1-1/4" NPT	1-1/2"	1-1/2"

Una trampa de pelos en la entrada evitará la obstrucción de la bomba por los desechos suspendidos.

Las superficies de funcionamiento interno de la bomba y las juntas requieren lubricación del agua para un funcionamiento correcto y consistente. El funcionamiento en seco de la bomba producirá un gran daño en la bomba y las juntas.

Instale un manómetro en la línea de entrada de la bomba. Mantenga una presión de al menos dos libras por pulgada cuadrada (2 PSI) en la línea de entrada mientras esté funcionando la bomba. Si no es posible, consulte con un representante del servicio al cliente.

## LUBRICACIÓN

No es necesario lubricar la bomba o el motor. El motor viene con cojinetes de bolas sellados y lubricados para la vida útil de los cojinetes. La junta del eje mecánica en la bomba se lubrica sola y no requiere ajuste. Desmonte la bomba para reemplazar la junta (Consulte "Mantenimiento", páginas 10 y 11).

## FUNCIONAMIENTO

Tenga en cuenta las siguientes precauciones cuando opere la bomba.

- ◆ ¡Mantenga el motor seco! ¡No dirija el flujo desde la descarga de la bomba al motor!
- ◆ **ADVERTENCIA PRESIÓN PELIGROSA.** No se debe poner en funcionamiento la bomba con la descarga apagada, ya que la manguera podría estallar o la bomba se puede dañar debido a las altas temperaturas.
- ◆ No utilice una pistola de accionamiento estándar con esta bomba. Use solamente pistolas de accionamiento con función de goteo automático. Las mismas están disponibles como accesorios y se ofrecen con tres boquillas. La boquilla más pequeña limita el flujo, lo que permite usar una fuente de agua más pequeña. Las dos boquillas más grandes se usan si la fuente de agua puede proporcionar un suministro que corresponda a la capacidad total de la bomba.
- ◆ **NO** ponga en funcionamiento la bomba en seco; se puede dañar la junta.
- ◆ Para evitar daños internos a la bomba, no debe funcionar con agua a una temperatura superior a los 175 °F.

## MOTOR ODP (ABIERTO) MONOFÁSICO

### CONFIGURACIÓN DEL INTERRUPTOR DEL MOTOR

Los motores de doble voltaje (motores que pueden funcionar con 115 o 230 voltios) vienen de fábrica configurados para 230 voltios. No cambie la configuración del voltaje del motor si la línea de voltaje es de 230 voltios o si tiene un motor de un solo voltaje.

Los modelos con cables eléctricos están precableados para 115 voltios. Esto incluye los modelos HP7D-02 y HP7C-02. Nunca conecte un motor de 115 voltios a una línea de 230 voltios.

### RETIRE LA CUBIERTA DEL EXTREMO DEL MOTOR

Si tiene un motor de doble voltaje y lo conectará a 115 voltios, siga el procedimiento a continuación (ver la Figura 5).

Quite la cubierta del extremo del motor para cambiar la configuración de voltaje. El tablero de terminales del motor (ubicado debajo de la cubierta del extremo del motor) debe verse como uno de los que se muestran a continuación.

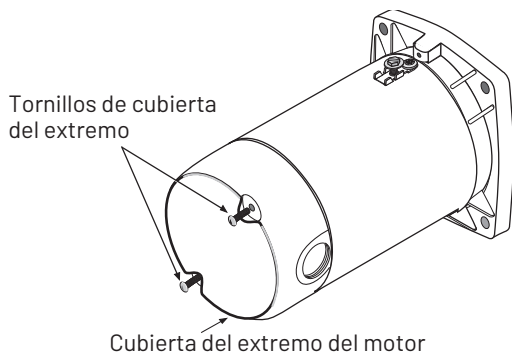


FIGURA 5 – RETIRAR LA CUBIERTA DEL EXTREMO DEL MOTOR

### SELECTOR DE VOLTAJE TIPO ENCHUFE

Para cambiar a 115 voltios (ver la Figura 6):

1. Asegúrese de que la energía esté apagada y extraiga el enchufe de forma recta hacia arriba.
2. Retire y coloque el enchufe en la posición de 115 voltios. El enchufe ahora cubrirá 2 pestañas de metal. La flecha en el enchufe apuntará a 115 V.
3. Conecte los cables de alimentación a los terminales, y asegúrese de que están bien sujetos.
4. Conecte el cable a tierra al tornillo verde de conexión a tierra.
5. Vuelva a instalar la cubierta del extremo del motor.
6. Vaya a la sección Conexiones de cableado.

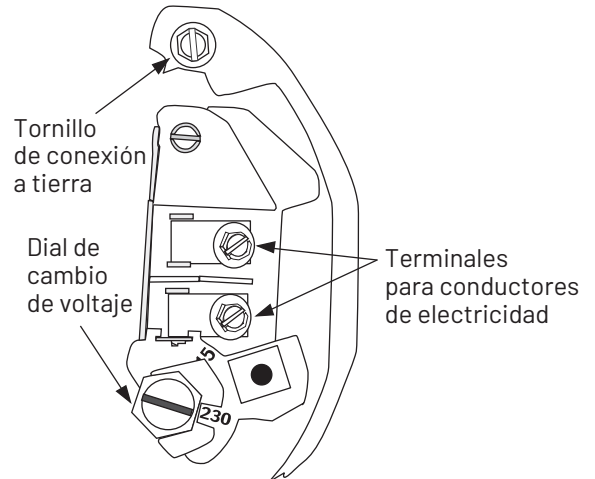


FIGURA 6 – VOLTAJE CONFIGURADO A 230 VOLTIOS, TIPO ENCHUFE

### SELECTOR DE VOLTAJE TIPO DIAL

Para cambiar a 115 voltios (ver la Figura 7):

1. Asegúrese de que la energía esté apagada.
2. Gire el dial en sentido contrario a las agujas del reloj hasta que se muestre 115 en la ventana del dial.
3. Conecte los cables de alimentación a los terminales, y asegúrese de que están bien sujetos.
4. Conecte el cable a tierra al tornillo verde de conexión a tierra.
5. Vuelva a instalar la cubierta del extremo del motor.
6. Vaya a la sección Conexiones de cableado.

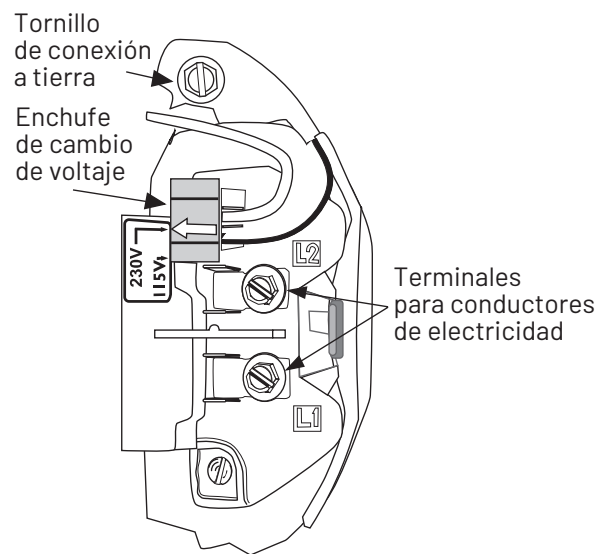


FIGURA 7 – VOLTAJE CONFIGURADO A 115 VOLTIOS, TIPO DIAL

## CONEXIONES DE CABLEADO

**⚠ PELIGRO** Conecte a tierra el motor antes de conectarlo a la fuente de alimentación eléctrica. No hacerlo puede causar un peligro de descarga eléctrica grave o fatal.

**⚠ ADVERTENCIA** **PELIGRO DE EXPLOSIÓN.** No conecte a tierra desde una línea de suministro de gas.

**⚠ ADVERTENCIA** Para evitar una descarga eléctrica peligrosa o fatal, **DESCONECTE** el suministro de electricidad al motor antes de trabajar en las conexiones eléctricas.

**⚠** El voltaje de alimentación debe estar dentro del  $\pm 10\%$  del voltaje indicado en la placa de identificación. Un voltaje incorrecto puede provocar un incendio o dañar el motor de forma grave, y anula la garantía. En caso de duda, consulte con un electricista con licencia.

- ◆ Para todos los motores TEFC y trifásicos: Siga diagrama de cableado en la placa de identificación o en la caja de empalme del motor.
- ◆ Use cable del tamaño especificado en la Tabla de Cableado de este manual. Si es posible, conecte la bomba a un circuito de derivación separado sin otros dispositivos conectados.
- ◆ Conecte los cables del motor según el diagrama en la placa de identificación del motor. Si el diagrama en la placa de identificación es diferente de los diagramas anteriores, guíese por el diagrama de la placa de identificación.
- ◆ Los motores de doble voltaje sin cable están cableados de fábrica para 230 voltios. Si es necesario, vuelva a conectar el motor a 115 voltios, como se muestra. Todos los motores con cable conectado están cableados de fábrica para 115 voltios. No altere el cableado en motores de voltaje único.
- ◆ Instale, conecte a tierra, configure el cableado y mantenga esta bomba de conformidad con el Código Nacional de Electricidad (NEC) o el Código de Electricidad de Canadá (CEC) y de conformidad con todos los códigos locales y las ordenanzas correspondientes. Consulte a su inspector de construcción local para obtener información local.
- ◆ Asegúrese de que el voltaje, la frecuencia y la fase (monofásico o trifásico) del suministro eléctrico se corresponda con lo estampado en la placa de identificación del motor. Si tiene dudas, verifique con la compañía eléctrica.
- ◆ Algunos modelos tienen motores trifásicos. Los motores trifásicos requieren un arranque magnético y pueden funcionar en cualquier dirección, en dependencia de cómo estén conectados al suministro de electricidad.

## PARA COMPROBAR LA ROTACIÓN CORRECTA - MOTORES TRIFÁSICOS

1. Asegúrese de que la electricidad que va al motor esté desconectada al trabajar con las conexiones eléctricas.
2. Retire la cubierta del extremo del motor, dejando al descubierto el eje del motor. Ponga en marcha la bomba un momento. Si la conexión es correcta, el eje rotará hacia la derecha.
3. Si la rotación no es a la derecha, invierta dos de los terminales del arranque. La rotación entonces será la correcta.

## CÓMO CONECTAR A TIERRA EL MOTOR

Conecte la bomba de forma permanente a tierra mediante un cable del tamaño y tipo especificado por el Código Nacional o local de Electricidad.

### Modelos (series HP7C y HP7D solamente) con cable y enchufe instalados de fábrica:

Este equipo se usa solo con 115 V y viene con un cable de 3 hilos aprobado y con un enchufe de 3 espigas de conexión a tierra. Para reducir el riesgo de descarga eléctrica, asegúrese de que esté conectado a un receptáculo debidamente conectado a tierra. No modifique ni quite el enchufe. Asegúrese de que el circuito de la bomba cumpla con el Código Nacional de Electricidad. Para evitar riesgos de descarga eléctrica peligrosa, mantenga el cable seco en todo momento.

### Modelos sin cable ni enchufe:

1. Conecte primero el cable a tierra. Conecte el cable a tierra primero, luego al terminal verde de conexión a tierra que se encuentra debajo de la cubierta del motor (ver las Figuras 6 y 7) identificada como GRD. Haga la conexión a tierra a este terminal. No conecte el motor al suministro de alimentación eléctrica hasta que la unidad esté conectada a tierra de forma permanente; si no, se puede producir peligro de descarga eléctrica grave o fatal.
2. Para una mejor conexión a tierra, conecte el cable a tierra a un conductor puesto a tierra en el panel de servicio, a una tubería de agua de metal subterránea o a una carcasa de pozo de metal de al menos 10 pies de largo. Si se utiliza tubería de plástico o partes aisladas, conecte el cable a tierra directamente a la carcasa de metal o use un electrodo a tierra suministrado por la compañía eléctrica.

# SISTEMA ELÉCTRICO

## FUSIBLES Y CABLEADO RECOMENDADOS

HP	FASE	TIPO DE MOTOR	VOLTAJE	AMPERAJE DE CARGA MÁX.	AMPERAJE NOMINAL DEL FUSIBLE DE DERIVACIÓN	LONGITUD DEL CABLE			
						0-100 (0-30)	101-200 (31-61)	201-300 (62-91)	301-400 (92-122)
						MEDIDA DEL CABLE AWG (MM <sup>2</sup> )			
1/2	1	ODP	115/230	11.4/5.7	20/15	14/14 (2/2)	10/14 (5.5/2)	8/14 (8.4/2)	6/12 (14/3)
1/2	3	ODP	208-230/460	3.0/1.5	10/6	14/14 (2/2)	14/14 (2/2)	14/14 (2/2)	14/14 (2/2)
1/2	1	TEFC	115/230	8.6/4.3	20/10	14/14 (2/2)	12/14 (3/2)	10/14 (5.5/2)	8/14 (8.4/2)
1/2	3	TEFC	208-230/460	2.2-2.1/1.1	6/3	14/14 (2/2)	14/14 (2/2)	14/14 (2/2)	14/14 (2/2)
3/4	1	ODP	115/230	12.2/6.1	25/15	12/14 (3/2)	8/14 (8.4/2)	8/14 (8.4/2)	6/12 (14/3)
3/4	3	ODP	208-230/460	3.6/1.8	10/6	14/14 (2/2)	14/14 (2/2)	14/14 (2/2)	14/14 (2/2)
3/4	1	TEFC	115/230	13.2/6.6	30/15	12/14 (3/2)	10/14 (5.5/2)	8/14 (8.4/2)	6/14 (14/2)
3/4	3	TEFC	230/460	3.8/1.0	10/3	14/14 (2/2)	14/14 (2/2)	14/14 (2/2)	14/14 (2/2)
1	1	ODP	115/230	18.4/9.2	30/20	10/14 (5.5/2)	8/14 (8.4/2)	6/12 (14/3)	4/10 (21/5.5)
1	3	ODP	208-230/460	4.7/2.34	10/6	14/14 (2/2)	14/14 (2/2)	14/14 (2/2)	14/14 (2/2)
1	1	TEFC	230	6.9	15	14 (2)	14 (2)	14 (2)	12 (3)
1	3	TEFC	230/460	4.4/2.2	10/6	14/14 (2/2)	14/14 (2/2)	14/14 (2/2)	14/14 (2/2)
1-1/2	1	ODP	115/230	22.8/11.4	45/25	10/14 (5.5/2)	6/12 (14/3)	6/12 (14/3)	4/10 (21/5.5)
1-1/2	3	ODP	208-230/460	6.8/3.4	15/10	14/14 (2/2)	14/14 (2/2)	14/14 (2/2)	12/14 (3/2)
1-1/2	3	TEFC	230/460	5.8/2.9	15/6	14/14 (2/2)	14/14 (2/2)	14/14 (2/2)	14/14 (2/2)
2	1	ODP	115/230	22/11	45/25	10/14 (5.5/2)	8/12 (8.4/3)	6/12 (14/3)	4/10 (21/5.5)
2	3	ODP	208-230/460	8.5/4.25	20/10	14/14 (2/2)	14/14 (2/2)	12/14 (3/2)	12/14 (3/2)
2	1	TEFC	230	11.7	25	14 (2)	12 (3)	12 (3)	10" [5.5]
2	3	TEFC	230/460	6.6/3.3	15/10	14/14 (2/2)	14/14 (2/2)	14/14 (2/2)	12/14 (3/2)
2-1/2	1	ODP	208-230	15.0-13.3	35	12 (3)	12 (3)	10" [5.5]	8 (8.4)
2-1/2	3	ODP	200-230/460	9.8-9.6/4	20/10	14/14 (2/2)	14/14 (2/2)	12/14 (3/2)	10/14 (5.5/2)
3	1	ODP	208-230	15.0-13.3	35	12 (3)	12 (3)	10" [5.5]	8 (8.4)
3	3	ODP	200-230/460	9.8-9.6/4	20/10	14/14 (2/2)	14/14 (2/2)	12/14 (3/2)	10/14 (5.5/2)



# MANTENIMIENTO

## MANTENIMIENTO

### DESARMADO DE LA BOMBA

Herramientas necesarias:

- ◆ Llave de extremo abierto de 7/16" (se necesitan 2).
- ◆ Destornillador plano con mango aislado.
- ◆ Se recomienda banco de trabajo con tornillo de banco.
- ◆ Pinzas o herramienta similar.
- ◆ Llave para tubería.

### REEMPLAZO DE LA PILA DEL IMPULSOR

Consulte la Figura 8.

1. Saque la bomba de funcionamiento y colóquela verticalmente en el tornillo de banco (si está disponible), con el motor hacia abajo. Sujétela por el centro del motor. Se recomienda envolver el motor con un paño para proteger la superficie exterior.
2. Coloque la llave para tubería en las partes planas en la conexión de descarga y gire hacia la derecha para quitar (rosca izquierda).

3. Quite los tornillos que sostienen la cubierta del motor y quítela. Extraiga de forma recta como se muestra. Deje los cables del interruptor conectados (si están presentes).

**ADVERTENCIA** EL VOLTAJE DEL CONDENSADOR PUEDE SER PELIGROSO. Para descargar el condensador, sujete el destornillador con mango aislado por el mango y conecte en corto los terminales del condensador. No toque la punta de metal del destornillador ni los terminales del condensador.

4. Desenrosque la sobrecarga y apártela. No desconecte los cables. Deslice la llave del extremo abierto de 7/16" por detrás del interruptor centrífugo de carga con resorte como se muestra. Colóquela en las partes planas del eje del motor para sostener el eje quieto.
5. Con una llave de 7/16" en el eje del motor, coloque la segunda llave en la parte hexagonal del eje en el extremo de la bomba y desenrosque la pila del impulsor girándola hacia la izquierda.

**Nota:** Las pilas actualizadas requieren que se retire la presilla en el aro de fijación con una pinza para poder acceder a la parte hexagonal del eje de extremo de la bomba.

Cuando se afloje del eje del motor, sostenga el eje por el aro de fijación con una pinza o herramienta similar y extraiga la pila de la carcasa. Quizás deba aplicar un movimiento hacia delante y hacia atrás para despegar la pila de la carcasa.

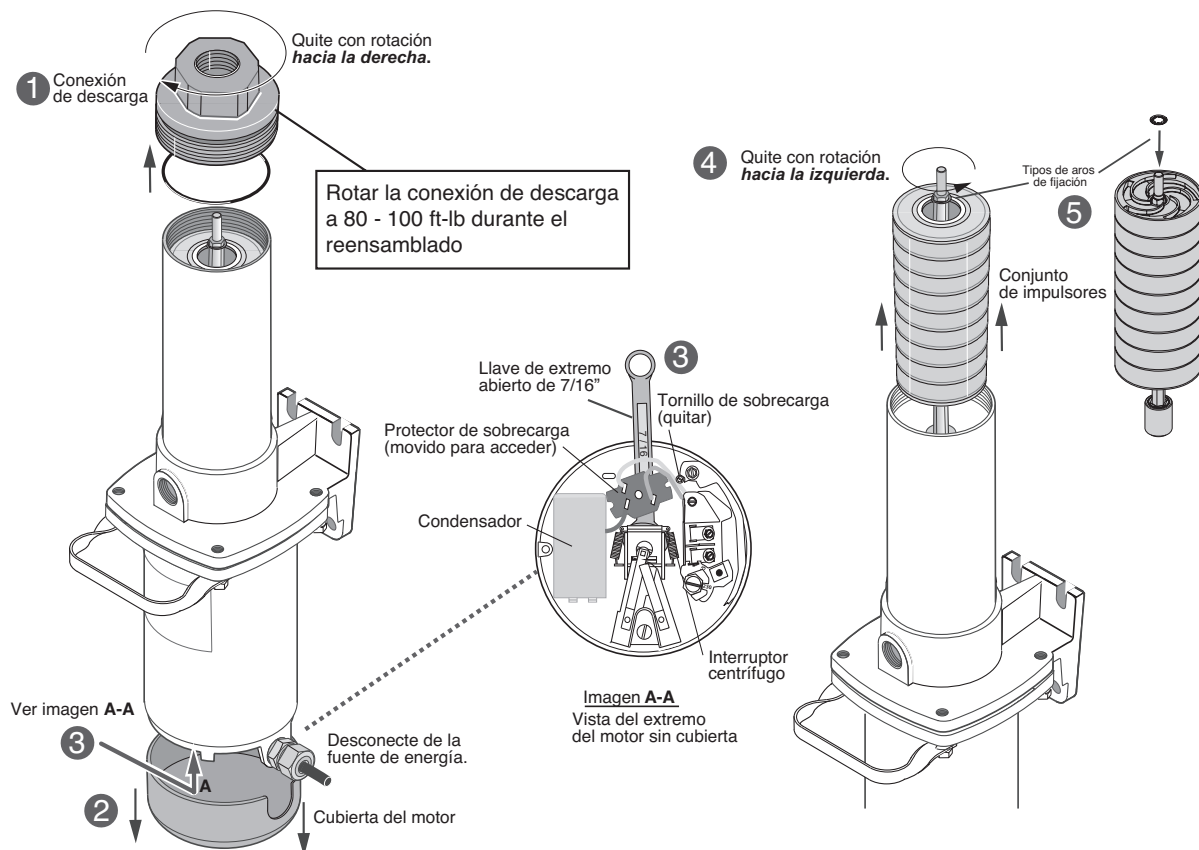


FIGURA 8 - REEMPLAZO DEL CONJUNTO DE IMPULSORES

## REEMPLAZO DEL CONJUNTO DE IMPULSORES, CONTINUACIÓN

Para volver a ensamblar con el conjunto de impulsores de reemplazo, mantenga la bomba en posición vertical, el motor hacia abajo y siga los pasos a partir del Paso 7 a continuación.

6. Tenga en cuenta los siguientes consejos al volver a ensamblar según sea necesario:
  - ◆ Aplique una solución de agua con jabón en las juntas tóricas de succión y descarga para que resbale la cavidad de la carcasa.
  - ◆ Asegúrese de que el resorte mecánico de la junta del eje esté en la posición correcta sobre el eje del motor.
  - ◆ En los modelos trifásicos, aplique Loctite® No. 271 a las roscas del eje del motor antes de volver a instalar el conjunto.
7. Use pinzas para quitar y desechar la presilla en el aro de fijación del conjunto de reemplazo.
8. Quite el difusor superior para poder acceder a la parte hexagonal del eje. En algunos modelos, tal vez sea necesario quitar la arandela de propulsión y el impulsor para poder dejar al descubierto un espacio suficiente de la parte hexagonal del eje para poder colocar la llave.
9. Instale el conjunto de reemplazo en el eje del motor realizando el Paso 5 anterior y girando el eje hacia la derecha.
10. Una vez que el eje esté posicionado, vuelva a instalar el difusor sobre el extremo del conjunto de impulsores de la bomba. NO es necesario volver a instalar la presilla del aro de fijación.
11. Complete el cambio del conjunto realizando los pasos del 1 al 4 anteriores en sentido inverso

## REEMPLAZO DE LA JUNTA MECÁNICA

Consulte las Figuras 8 y 9. Este procedimiento es mejor completarlo con la bomba en posición vertical y motor hacia abajo.

1. Primero complete las instrucciones anteriores para desarmar la bomba que se encuentran en **Reemplazo de la pila del impulsor**.
2. Quite los 4 tornillos con cabeza que sostienen el cuerpo de la bomba al motor. La manija de la bomba se extraerá con los tornillos con cabeza superiores.
3. Desatornille la carcasa de la bomba del cuerpo de la bomba girando hacia la derecha (rosca izquierda).
4. Quite el resorte mecánico de la junta del eje y la mitad giratoria del eje del motor. Tenga cuidado de no rayar el eje del motor al quitar la mitad giratoria.
5. Quite el cuerpo de la bomba del motor y colóquelo en una superficie plana, hacia abajo. Nuevamente, tenga cuidado de no rayar el eje del motor.
6. Use un destornillador para empujar hacia afuera el asiento de cerámica de la cavidad de la junta como se muestra.
7. Instalación del asiento de cerámica:
  - A. Dé vuelta al cuerpo de la bomba para que la cavidad de la junta quede hacia arriba; limpie bien la cavidad.
  - B. Limpie la superficie pulida del asiento de cerámica con un paño limpio.
  - C. Lubrique la superficie exterior de la goma del asiento con agua jabonosa. Coloque una arandela de cartón sobre la cara pulida del asiento y presione en la cavidad de la junta con un dado de 3/4" o un pedazo de tubería estándar de 3/4".
  - D. Asegúrese de que la superficie pulida del asiento esté libre de suciedad y no se haya dañado por la inserción. Quite el exceso de agua jabonosa. Deseche la arandela de cartón.
5. Instalación de la mitad giratoria y del resorte:
  - F. Vuelva a instalar el cuerpo de la bomba sobre el motor con extremo cuidado sin golpear la parte cerámica de la junta en el eje del motor. Vuelva a unir el cuerpo de la bomba al motor usando los tornillos con cabeza. Asegúrese de volver a instalar la manija de la bomba en este momento.
  - G. Inspeccione el eje para asegurarse de que está limpio.
  - H. Limpie la superficie de la mitad giratoria de la junta con un paño limpio.
  - I. Lubrique dentro del diámetro de la mitad giratoria con agua jabonosa y deslice en el eje del motor (la superficie de la junta primero).
  - J. Coloque el resorte sobre el eje del motor para que se apoye en la mitad giratoria.
9. Para completar el reensamblado desde este punto, siga las instrucciones en sentido inverso que se encuentran en **Reemplazo del conjunto de impulsores**. Lubrique las juntas tóricas de succión y descarga con agua jabonosa para facilitar la instalación de la carcasa.

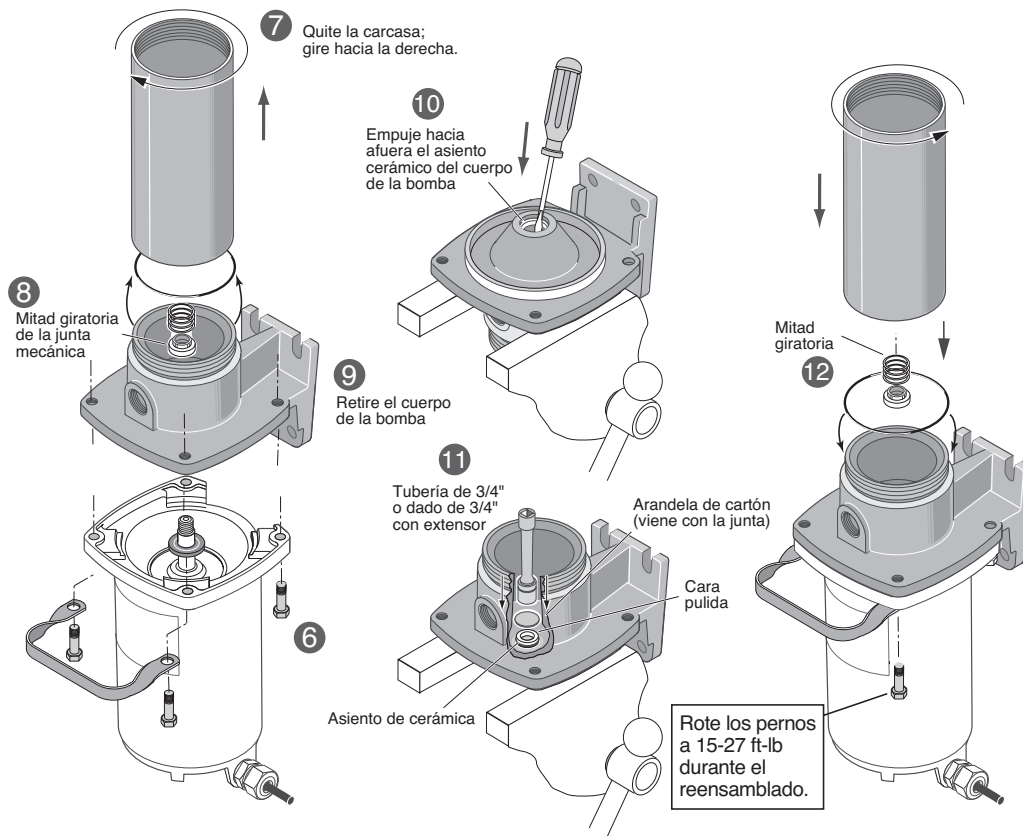
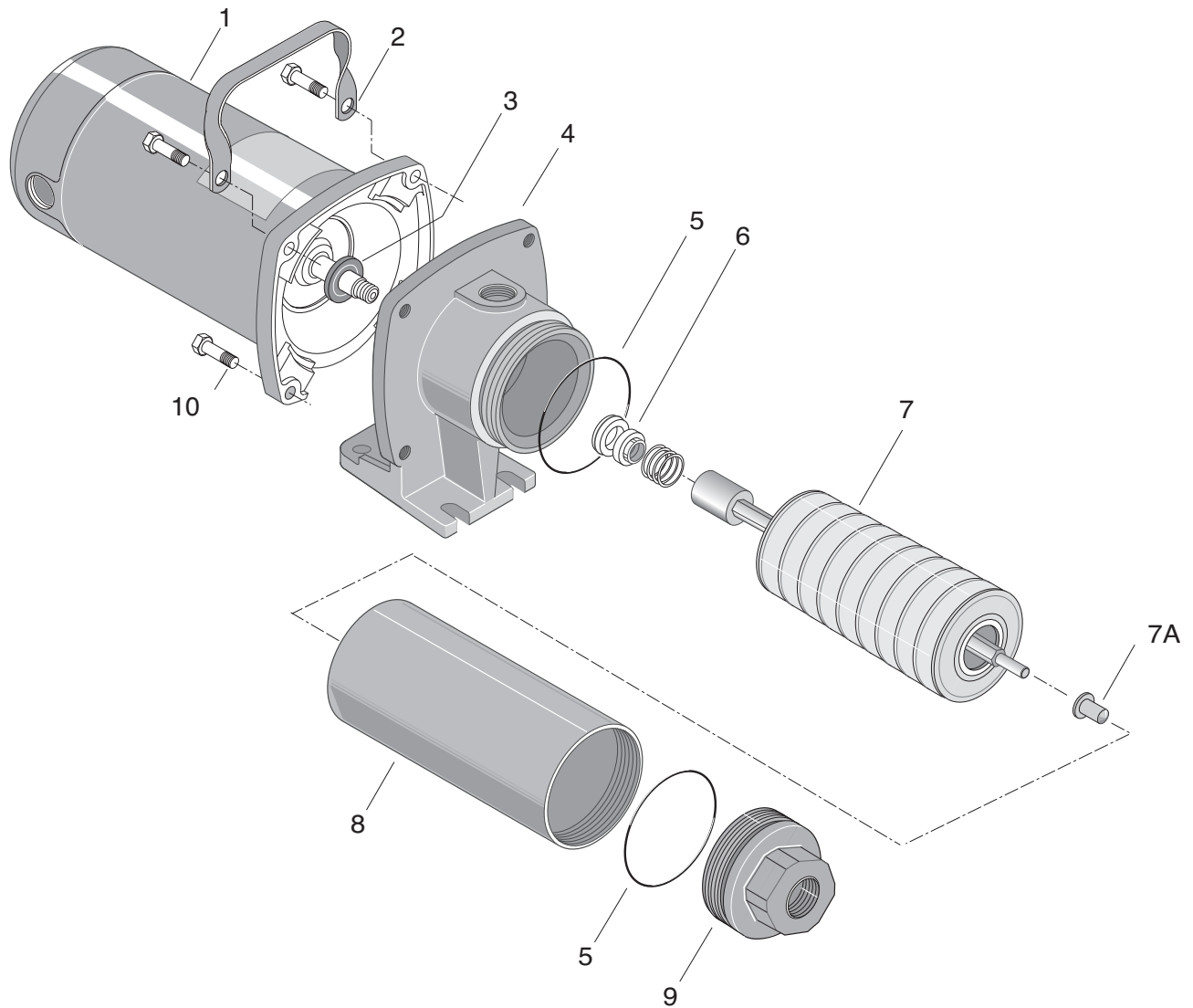


FIGURA 9 - REEMPLAZO DE LA JUNTA MECÁNICA

# LISTA DE PARTES



Los siguientes accesorios pueden ordenarse para bombas auxiliares de alta presión:

DESCRIPCIÓN	PARTEN.º
Manguera 6'-3/4" con extremos hembra (Clasificación 150 PSI)	PKG 83
Manguera 25'-3/4" con extremos macho y hembra (Clasificación 150 PSI)	PKG 84
Adaptador 3/4" NPT x 3/4" para manguera	PKG 85
Boquilla - Presión alta	PKG 86

# LISTA DE PARTES

## MODELOS BERKELEY

N.º DE REF.	DESCRIPCIÓN DE LA PARTE	CANT.	1/2 HP	3/4 HP	1HP	1-1/2 HP	2 HP	3 HP
1	Motor - monofásico	1	J218-1652	J218-1653	J218-1655	J218-1656	J218-1657	AE100HLL
1	Motor - trifásico	1	AP100CH	AP100DL2	AP100EH	AP100FH	AP100GH	AP100HL
2	Manija**	-	C54-21	C54-21	C54-21	C54-21	C54-21	C54-21
3	Deflector de agua	1	17351-0009	17351-0009	17351-0009	17351-0009	17351-0009	17351-0009
4	Cuerpo de la bomba - Serie HP7, HP10	1	C2-85	C2-85	C2-85	C2-85	C2-85	-
4	Cuerpo de la bomba - Serie HPS7, HPS10	1	C2-86SS	C2-86SS	C2-86SS	C2-86SS	C2-86SS	-
4	Cuerpo de la bomba - Serie HP20	1	-	-	C2-85A	C2-85A	C2-85A	C2-85A
4	Cuerpo de la bomba - Serie HPS20	1	-	-	C2-86SSA	C2-86SSA	C2-86SSA	C2-86SSA
4	Cuerpo de la bomba - Serie HP30	1	-	-	C2-85B	C2-85B	C2-85B	C2-85B
4	Cuerpo de la bomba - Serie HPS30	1	-	-	C2-86SSB	C2-86SSB	C2-86SSB	C2-86SSB
5	Junta tórica	2	U9-430	U9-430	U9-430	U9-430	U9-430	U9-430
6	Ensamblado de la junta del eje	1	U109-118	U109-118	U109-118	U109-118	U109-118	U109-118
7	Conjunto de impulsores de la bomba - 7GPM	1	P325-422R	P325-423R	P325-424R	-	-	-
7	Conjunto de impulsores de la bomba - 10GPM	1	P325-425R	P325-426R	P325-439R	P325-428R	P325-429R	-
7	Conjunto de impulsores de la bomba - 20GPM	1	-	-	P325-602R	P325-431R	P325-432R	P325-718R
7	Conjunto de impulsores de la bomba - 30GPM	1	-	-	P325-719R	P325-720R	P325-721R	P325-722S
7A	Cojinete de Nylatron® (incluido con llave núm. 9)	1	W31112	W31112	W31112	W31112	W31112	W31112
8	Carcasa de la bomba - 7GPM	1	P56-430SSL	P56-431SSL	P56-432SSL	-	-	-
8	Carcasa de la bomba - 10 GPM	1	P56-460SSL	P56-461SSL	P56-469SSL	P56-452SSL	P56-432SSL	-
8	Carcasa de la bomba - 20 GPM	1	-	-	P56-433SSL	P56-434SSL	P56-452SSL	P56-620SSL
8	Carcasa de la bomba - 30 GPM	1	-	-	P56-621SSL	P56-622SSL	P56-434SSL	P56-615SSL
9	Ensamblaje de la descarga - Serie HP7, HP10	1	C152-3	C152-3	C152-3	C152-3	C152-4	-
9	Ensamblaje de la descarga - Serie HPS7, HPS10	1	C152-4	C152-4	C152-4	C152-4	C152-4	-
9	Ensamblaje de la descarga - Serie HP20	1	-	-	C152-3A	C152-3A	C152-3A	C152-3A
9	Ensamblaje de la descarga - Serie HPS20	1	-	-	C152-4A	C152-4A	C152-4A	C152-4A
9	Ensamblaje de la descarga - Serie HP30	1	-	-	C152-3B	C152-3B	C152-3B	C152-3B
9	Ensamblaje de la descarga - Serie HPS30	1	-	-	C152-4B	C152-4B	C152-4B	C152-4B
10	Tornillo con cabeza - 3/8 x 16 x 1-1/2" - Serie HP	4	U30-982ZP	U30-982ZP	U30-982ZP	U30-982ZP	U30-982ZP	U30-982ZP
10	Tornillo con cabeza - 3/8 x 16 x 1-1/2" - Serie HPS	4	S25983	S25983	S25983	S25983	S25983	S25983
*	Conector de cable - Solamente HP7	1	U71-7	U71-7	-	-	-	-
*	Cable - Solamente HP7	1	U17-402	U17-1238	-	-	-	-

\* No se muestra

\*\* No viene de forma estándar con las bombas

# LISTA DE PARTES

## MODELOS MYERS

N.º DE REF.	DESCRIPCIÓN DE LA PARTE	CANT.	1/2 HP	3/4 HP	1 HP	1-1/2 HP	2 HP	3 HP
1	Motor - monofásico	1	J218-1652	J218-1653	J218-1655	J218-1656	J218-1657	AE100HLL
2	Manija**	-	C54-21	C54-21	C54-21	C54-21	C54-21	C54-21
3	Deflector de agua	1	17351-0009	17351-0009	17351-0009	17351-0009	17351-0009	17351-0009
4	Cuerpo de la bomba - Serie HP7, HP10	1	C2-85	C2-85	C2-85	C2-85	C2-85	-
4	Cuerpo de la bomba - Serie HP20	1	-	-	C2-85A	C2-85A	C2-85A	C2-85A
4	Cuerpo de la bomba - Serie HP30	1	-	-	C2-85B	C2-85B	C2-85B	C2-85B
5	Junta tórica	2	U9-430	U9-430	U9-430	U9-430	U9-430	U9-430
6	Ensamblado de la junta del eje	1	U109-118	U109-118	U109-118	U109-118	U109-118	U109-118
7	Conjunto de impulsores de la bomba - 7GPM	1	P325-422R	P325-423R	P325-424R	-	-	-
7	Conjunto de impulsores de la bomba - 10GPM	1	P325-425R	P325-426R	P325-439R	P325-428R	P325-429R	-
7	Conjunto de impulsores de la bomba - 20GPM	1	-	-	P325-602R	P325-431R	P325-432R	P325-718R
7	Conjunto de impulsores de la bomba - 30GPM	1	-	-	P325-719R	P325-720R	P325-721R	P325-722S
7A	Cojinete de Nylatron (incluido con llave núm. 9)	1	W31112	W31112	W31112	W31112	W31112	W31112
8	Carcasa de la bomba - 7GPM	1	P56-430SSL	P56-431SSL	P56-432SSL	-	-	-
8	Carcasa de la bomba - 10 GPM	1	P56-460SSL	P56-461SSL	P56-469SSL	P56-452SSL	P56-432SSL	-
8	Carcasa de la bomba - 20 GPM	1	-	-	P56-433SSL	P56-434SSL	P56-452SSL	P56-620SSL
8	Carcasa de la bomba - 30 GPM	1	-	-	P56-621SSL	P56-622SSL	P56-434SSL	P56-615SSL
9	Ensamblaje de la descarga - Serie HP7, HP10	1	C152-3	C152-3	C152-3	C152-3	C152-4	-
9	Ensamblaje de la descarga - Serie HP20	1	-	-	C152-3A	C152-3A	C152-3A	C152-3A
9	Ensamblaje de la descarga - Serie HP30	1	-	-	C152-3B	C152-3B	C152-3B	C152-3B
10	Tornillo con cabeza - 3/8 x 16 x 1-1/2" - Serie HP	4	U30-982ZP	U30-982ZP	U30-982ZP	U30-982ZP	U30-982ZP	U30-982ZP
10	Tornillo con cabeza - 3/8 x 16 x 1-1/2" - Serie HPS	4	S25983	S25983	S25983	S25983	S25983	S25983
*	Conector de cable - Solamente HP7	1	U71-7	U71-7	-	-	-	-
*	Cable - Solamente HP7	1	U17-402	U17-1238	-	-	-	-

\* No se muestra

\*\* No viene de forma estándar con las bombas

# LISTA DE PARTES

## MODELOS STA-RITE

N.º DE REF.	DESCRIPCIÓN DE LA PARTE	CANT.	1/2 HP	3/4 HP	1HP	1-1/2 HP	2 HP	2-1/2 HP	3 HP
1	Motor - monofásico	1	J218-1652	J218-1653	J218-1655	J218-1656	J218-1657	AE100HLL	AE100HLL
1	Motor - trifásico	1	AP100CH	AP100DL2	AP100EH	AP100FH	AP100GH	AP100HL	AP100HL
2	Manija**	-	C54-21	C54-21	C54-21	C54-21	C54-21	C54-21	C54-21
3	Deflector de agua	1	17351-0009	17351-0009	17351-0009	17351-0009	17351-0009	17351-0009	17351-0009
4	Cuerpo de la bomba - Serie HP7, HP10	1	C2-85	C2-85	C2-85	C2-85	C2-85	-	-
4	Cuerpo de la bomba - Serie HPS7, HPS10	1	C2-86SS	C2-86SS	C2-86SS	C2-86SS	C2-86SS	-	-
4	Cuerpo de la bomba - Serie HP20	1	-	-	C2-85A	C2-85A	C2-85A	C2-85A	C2-85A
4	Cuerpo de la bomba - Serie HPS20	1	-	-	C2-86SSA	C2-86SSA	C2-86SSA	C2-86SSA	C2-86SSA
4	Cuerpo de la bomba - Serie HP30	1	-	-	C2-85B	C2-85B	C2-85B	C2-85B	C2-85B
4	Cuerpo de la bomba - Serie HPS30	1	-	-	C2-86SSB	C2-86SSB	C2-86SSB	C2-86SSB	C2-86SSB
5	Junta tórica	2	U9-430	U9-430	U9-430	U9-430	U9-430	U9-430	U9-430
6	Ensamblado de la junta del eje	1	U109-118	U109-118	U109-118	U109-118	U109-118	U109-118	U109-118
7	Conjunto de impulsores de la bomba - 7GPM	1	P325-422R	P325-423R	P325-424R	-	-	-	-
7	Conjunto de impulsores de la bomba - 10GPM	1	P325-425R	P325-426R	P325-439R	P325-428R	P325-429R	-	-
7	Conjunto de impulsores de la bomba - 20GPM	1	-	-	P325-602R	P325-431R	P325-432R	P325-632R	P325-718R
7	Conjunto de impulsores de la bomba - 30GPM	1	-	-	P325-719R	P325-720R	P325-721R	P325-1190R	P325-722S
7A	Cojinete de Nylatron (incluido con llave núm. 9)	1	W31112	W31112	W31112	W31112	W31112	W31112	W31112
8	Carcasa de la bomba - 7GPM	1	P56-430SSL	P56-431SSL	P56-432SSL	-	-	-	-
8	Carcasa de la bomba - 10 GPM	1	P56-460SSL	P56-461SSL	P56-469SSL	P56-452SSL	P56-432SSL	-	-
8	Carcasa de la bomba - 20 GPM	1	-	-	P56-433SSL	P56-434SSL	P56-452SSL	P56-611SSL	P56-620SSL
8	Carcasa de la bomba - 30 GPM	1	-	-	P56-621SSL	P56-622SSL	P56-434SSL	P56-968SSL	P56-615SSL
9	Ensamblaje de la descarga - Serie HP7, HP10	1	C152-3	C152-3	C152-3	C152-3	C152-4	-	-
9	Ensamblaje de la descarga - Serie HPS7, HPS10	1	C152-4	C152-4	C152-4	C152-4	C152-4	-	-
9	Ensamblaje de la descarga - Serie HP20	1	-	-	C152-3A	C152-3A	C152-3A	C152-3A	C152-3A
9	Ensamblaje de la descarga - Serie HPS20	1	-	-	C152-4A	C152-4A	C152-4A	C152-4A	C152-4A
9	Ensamblaje de la descarga - Serie HP30	1	-	-	C152-3B	C152-3B	C152-3B	C152-3B	C152-3B
9	Ensamblaje de la descarga - Serie HPS30	1	-	-	C152-4B	C152-4B	C152-4B	C152-4B	C152-4B
10	Tornillo con cabeza hexagonal - 3/8 x 16 x 1-1/2" - Serie HP	4	U30-982ZP	U30-982ZP	U30-982ZP	U30-982ZP	U30-982ZP	U30-982ZP	U30-982ZP
10	Tornillo con cabeza hexagonal - 3/8 x 16 x 1-1/2" - Serie HPS	4	S25983	S25983	S25983	S25983	S25983	S25983	S25983
*	Conector de cable - Solamente HP7	1	U71-7	U71-7	-	-	-	-	-
*	Cable - Solamente HP7	1	U17-402	U17-1238	-	-	-	-	-

\* No se muestra

\*\* No viene de forma estándar con las bombas

# GARANTÍA DE BERKELEY

Pentair BERKELEY® garantiza al comprador consumidor original ("Comprador" o "Usted") de los productos enumerados en la tabla a continuación, que estarán libres de defectos de material y mano de obra durante el período de garantía que se muestra en la tabla a continuación.

PRODUCTO	PERÍODO DE GARANTÍA LO QUE OCURRA PRIMERO:
Productos de sistemas de agua: bombas inyectoras, bombas centrífugas pequeñas, bombas sumergibles y accesorios relacionados	12 meses a partir de la fecha de instalación original o 18 meses a partir de la fecha de fabricación
Tanques de material compuesto Pentair Pro-Source®	5 años a partir de la fecha de instalación original
Tanques de presión de acero Pentair Pro-Source	5 años a partir de la fecha de instalación original
Tanques revestidos con epoxi Pentair Pro-Source	3 años a partir de la fecha de instalación original
Agrícola/Comercial:	
Centrífugas: accionamiento de motor de acoplamiento directo, eje libre, montaje SAE, motor de combustión interna, VMS, SSCX, SSHM	12 meses a partir de la fecha de instalación original o 24 meses a partir de la fecha de fabricación
Turbinas sumergibles de 6" de diámetro y más grandes	12 meses a partir de la fecha de instalación original o 24 meses a partir de la fecha de fabricación

Nuestra garantía no se aplicará a ningún producto que, a nuestra entera discreción, haya sido objeto de negligencia, mala aplicación, instalación incorrecta o mantenimiento inadecuado. Ejemplos que pueden resultar en la denegación de un reclamo de garantía (esta lista no es exhaustiva):

- ◆ Daños causados por manejo descuidado, reempaque o envío inadecuados.
- ◆ Daños causados por una mala aplicación, uso indebido o abuso, o por no operar el equipo como se especifica en el manual del propietario.
- ◆ Daños causados por no instalar los productos como se especifica en el manual del propietario.
- ◆ Daños causados por modificaciones no autorizadas del producto o por no utilizar partes de repuesto originales de Pentair.
- ◆ Daños causados por negligencia o falta de mantenimiento adecuado de los productos como se especifica en el manual del propietario.
- ◆ Daños causados por el congelamiento del agua en el interior del producto.
- ◆ Daños accidentales, incendios, casos fortuitos u otras circunstancias fuera del control de Pentair.

Sin limitar lo anterior, operar un motor trifásico con energía monofásica a través de un convertidor de fase anulará la garantía. Tenga en cuenta también que los motores trifásicos deben estar protegidos por relés de sobrecarga de disparo extrarrápido, con compensación ambiental y de tres patas del tamaño recomendado o la garantía quedará anulada.

Todos los diámetros de impulsores especificados en el programa de dimensionamiento de bombas BEC2 han sido probados y determinados para no exceder el factor de servicio del motor especificado. Se pueden solicitar diámetros de impulsor sobredimensionados; sin embargo, el uso de un impulsor sobredimensionado anulará cualquier reclamo de garantía.

Su único recurso, y el único deber de BERKELEY bajo esta garantía, es que BERKELEY repare o reemplace los productos defectuosos (a elección de BERKELEY). LOS RECURSOS DESCRITOS AQUÍ SON SUS ÚNICOS Y EXCLUSIVOS RECURSOS Y NUESTRA RESPONSABILIDAD TOTAL POR CUALQUIER INCUMPLIMIENTO DE ESTA GARANTÍA.

Usted debe pagar todos los costos de mano de obra y envío asociados con la garantía y debe solicitar el servicio de garantía a través del distribuidor/ instalador tan pronto como se descubra un problema. No se aceptará ninguna solicitud de servicio si se recibe después de que haya vencido el Período de garantía. Esta garantía no es transferible.

LA RESPONSABILIDAD DE BERKELEY BAJO NINGUNA CIRCUNSTANCIA EXCEDERÁ EL MONTO REAL PAGADO POR USTED POR EL PRODUCTO EN CUESTIÓN. BERKELEY NO SERÁ RESPONSABLE, BAJO NINGUNA CIRCUNSTANCIA, DE NINGÚN DAÑO O PÉRDIDA RESULTANTES, INCIDENTALES, ESPECIALES, PUNITIVOS O CONTINGENTES, NI DE NINGUNA OTRA CLASE, YA SEAN DIRECTOS O INDIRECTOS. LA GARANTÍA ANTERIOR ES EXCLUSIVA. EXCEPTO POR LA GARANTÍA ESTABLECIDA EN EL PRESENTE DOCUMENTO, BERKELEY NO OFRECE NINGUNA GARANTÍA CON RESPECTO A LOS PRODUCTOS, INCLUYENDO, ENTRE OTRAS, NINGUNA GARANTÍA DE COMERCIABILIDAD O GARANTÍA DE IDONEIDAD PARA UN PROPÓSITO EN PARTICULAR, YA SEA EXPLÍCITA O IMPLÍCITA POR LEY, CURSO DE NEGOCIACIÓN, CURSO DE RENDIMIENTO, USO MERCANTIL O DE OTRO TIPO.

LAS GARANTÍAS ANTERIORES NO SE EXTENDERÁN MÁS ALLÁ DE LA DURACIÓN INDICADA EN EL PRESENTE DOCUMENTO. Algunos estados no permiten la exclusión o limitación de daños incidentales o resultantes, ni limitaciones en la duración de una garantía implícita, por lo que es posible que las limitaciones o exclusiones anteriores no se apliquen a usted. Esta garantía le otorga derechos legales específicos y también puede tener otros derechos que varían de un estado a otro.

Esta Garantía entra en vigencia el 14 de julio de 2020 y reemplaza a todas las garantías sin fecha y las garantías con fecha anterior al 14 de julio de 2020.



# GARANTÍA DE MYERS

## GARANTÍA LIMITADA

Myers® garantiza al comprador consumidor original ("Comprador" o "Usted") de los productos enumerados en la tabla a continuación, que estarán libres de defectos de material y mano de obra durante el período de garantía que se muestra en la tabla a continuación.

PRODUCTO	PERÍODO DE GARANTÍA LO QUE OCURRA PRIMERO:
Bombas inyectoras, bombas centrífugas pequeñas, bombas sumergibles y accesorios relacionados	12 meses a partir de la fecha de instalación original o 18 meses a partir de la fecha de fabricación.
Tanques de fibra	5 años a partir de la fecha de instalación original
Tanques de presión de acero	5 años a partir de la fecha de instalación original
Productos para sumideros/aguas residuales/efluentes/servicios públicos/respaldo de batería	36 meses a partir de la fecha de fabricación
Bombas de manejo de sólidos de aguas residuales	12 meses a partir de la fecha de envío desde la fábrica o 18 meses a partir de la fecha de fabricación

## LIMPIEZA DE BOQUILLAS (BAJA PRESIÓN)

Nuestra garantía se aplica únicamente cuando dichos productos se utilizan de conformidad con las especificaciones del catálogo y/o los manuales de productos correspondientes. Para obtener información adicional, consulte la garantía limitada estándar correspondiente que se incluye en el manual del producto.

Nuestra garantía no se aplicará a ningún producto que, a nuestra entera discreción, haya sido objeto de negligencia, mala aplicación, instalación incorrecta o mantenimiento inadecuado. Sin limitar lo anterior, operar un motor trifásico con energía monofásica a través de un convertidor de fase anulará la garantía. Tenga en cuenta también que los motores trifásicos deben estar protegidos por relés de sobrecarga de disparo ultrarrápido, con compensación ambiental y de tres patas del tamaño recomendado o la garantía quedará anulada.

Su único recurso, y el único deber de MYERS bajo esta garantía, es que MYERS repare o reemplace los productos defectuosos (a elección de MYERS). Usted debe pagar todos los costos de mano de obra y envío asociados con la garantía y debe solicitar el servicio de garantía a través del distribuidor/instalador tan pronto como se descubra un problema. No se aceptará ninguna solicitud de servicio si se recibe después de que haya vencido el período de garantía. Esta garantía no es transferible.

MYERS NO SERÁ RESPONSABLE DE NINGÚN DAÑO RESULTANTE, INCIDENTAL O CONTINGENTE.

LAS GARANTÍAS LIMITADAS ANTERIORES SON EXCLUSIVAS Y PREVALECEEN SOBRE TODAS LAS DEMÁS GARANTÍAS EXPLÍCITAS E IMPLÍCITAS, INCLUIDAS, ENTRE OTRAS, LAS GARANTÍAS IMPLÍCITAS DE COMERCIALIZABILIDAD E IDONEIDAD PARA UN PROPÓSITO PARTICULAR. LAS GARANTÍAS LIMITADAS ANTERIORES NO SE EXTENDERÁN MÁS ALLÁ DE LA DURACIÓN INDICADA EN EL PRESENTE DOCUMENTO.

Algunos estados no permiten la exclusión o limitación de daños incidentales o consecuentes o limitaciones en la duración de una garantía implícita, por lo que es posible que las limitaciones o exclusiones anteriores no se apliquen a usted. Esta garantía le otorga derechos legales específicos y también puede tener otros derechos que varían de un estado a otro.

Esta Garantía limitada entra en vigencia el 1 de enero de 2021 y reemplaza a todas las garantías sin fecha y las garantías con fecha anterior al 1 de enero de 2021.

# GARANTÍA DE STA-RITE

---

## GARANTÍA LIMITADA

STA-RITE garantiza al comprador consumidor original ("Comprador" o "Usted") de los productos enumerados en la tabla a continuación, que estarán libres de defectos de material y mano de obra durante el período de garantía que se muestra a continuación.

PRODUCTO	PERÍODO DE GARANTÍA LO QUE OCURRA PRIMERO:
Productos de sistemas de agua: bombas inyectoras, bombas centrífugas pequeñas, bombas sumergibles y accesorios relacionados	12 meses a partir de la fecha de instalación original o 18 meses a partir de la fecha de fabricación
Tanques de material compuesto Pro-Source™	5 años a partir de la fecha de instalación original
Tanques de presión de acero Pro-Source™	5 años a partir de la fecha de instalación original
Tanques revestidos con epoxi Pro-Source™	3 años a partir de la fecha de instalación original
Productos para sumidero/aguas residuales/efluentes	12 meses a partir de la fecha de instalación original o 18 meses a partir de la fecha de fabricación

Nuestra garantía no se aplicará a ningún producto que, a nuestro exclusivo criterio, haya sido objeto de negligencia, mala aplicación, instalación incorrecta o mantenimiento inadecuado. Sin limitar lo anterior, operar un motor trifásico con energía monofásica a través de un convertidor de fase anulará la garantía. Tenga en cuenta también que los motores trifásicos deben estar protegidos por relés de sobrecarga de disparo ultrarrápido, con compensación ambiental y de tres patas del tamaño recomendado o la garantía quedará anulada.

Su único recurso, y el único deber de STA-RITE, es que STA-RITE repare o reemplace los productos defectuosos (a elección de STA-RITE). Debe pagar todos los costos de mano de obra y envío asociados con la garantía y debe solicitar el servicio de garantía a través del distribuidor de instalación tan pronto como se descubra un problema. No se aceptará ninguna solicitud de servicio si se recibe después de que haya vencido el período de garantía. Esta garantía no es transferible.

STA-RITE NO SERÁ RESPONSABLE DE NINGÚN DAÑO RESULTANTE, INCIDENTAL O CONTINGENTE. LAS GARANTÍAS LIMITADAS ANTERIORES SON EXCLUSIVAS Y PREVALECEN SOBRE TODAS LAS DEMÁS GARANTÍAS EXPLÍCITAS E IMPLÍCITAS, INCLUIDAS, ENTRE OTRAS, LAS GARANTÍAS IMPLÍCITAS DE COMERCIABILIDAD E IDONEIDAD PARA UN PROPÓSITO PARTICULAR. LAS GARANTÍAS ANTERIORES NO SE EXTENDERÁN MÁS ALLÁ DE LA DURACIÓN INDICADA EXPRESAMENTE EN EL PRESENTE DOCUMENTO. Algunos estados no permiten la exclusión o limitación de daños incidentales o consecuentes o limitaciones en la duración de una garantía implícita, por lo que es posible que las limitaciones o exclusiones anteriores no se apliquen a usted. Esta garantía le otorga derechos legales específicos y también puede tener otros derechos que varían de un estado a otro.

Esta Garantía limitada entra en vigencia el 1 de junio de 2011 y reemplaza a todas las garantías sin fecha y las garantías con fecha anterior al 1 de junio de 2011.

**PÁGINA DEJADA EN BLANCO INTENCIONALMENTE**



293 Wright St  
Delavan, WI 53115  
Teléfono: 888.987.8677  
Fax: 800.426.9446

490 Pinebush Rd., Unit 4  
Cambridge, Ontario  
Canada N1T 0A5  
Teléfono: 800.363.7867

[pentair.com](http://pentair.com)

Todas las marcas comerciales y los logotipos de Pentair indicados son propiedad de Pentair. Las marcas comerciales y los logotipos de terceros, registrados y no registrados, son propiedad de sus respectivos dueños. Como mejoramos continuamente nuestros productos y servicios, Pentair se reserva el derecho de modificar las especificaciones sin previo aviso. Pentair es un empleador que ofrece igualdad de oportunidades.

Viton® es una marca registrada de The Chemours Company FC, LLC

Loctite® es una marca registrada de Henkel AG & Company KGaA.

Nylatron® es una marca registrada de Quadrant Epp USA, Inc.

©2023 Pentair. Todos los derechos reservados.

P15005 (09-15-23)