

# BERKELEY® PL Series

Corrosion-resistant, convertible deep well jet pumps



**Durability and corrosion resistance are built into every PL Series Pump, due to the rugged fiberglass reinforced thermoplastic pump construction. The engineered composite components are lightweight yet extremely resistant to sand and abrasive wear. The non-corrosive design and exceptional strength assure years of trouble-free operation.**

## APPLICATIONS

**Water systems and sprinkling...** for homes, farms and cottages.

## SPECIFICATIONS

**Pump Body and Seal Plate:** Dura-Glas®

**Impeller:** Noryl®

**Nozzle:** Noryl

**Venturi:** Noryl

**O-Ring:** Buna-N

**Clamp:** Stainless steel

**Shaft:** Stainless steel

**Diffuser:** Reinforced polypropylene with brass wear ring

**Shallow Well Jet:** Sold separately

**Pressure Switch Pre-Set:** 30–50 PSI

**Suction Ports:** Suction-over-Drive

## FEATURES

**Superior Rustproof Construction:** Pump body is Dura-Glas fiberglass reinforced thermoplastic—lightweight, rustproof and exceptionally strong. All components in contact with water are resistant to the corrosive and abrasive forces found in the most aggressive water conditions.

**Precision Diffuser:** Multi-port, reinforced polypropylene design primes faster and handles more air.

**Precision-Molded Impeller:** Precision-molded Noryl gives perfect balance and ultra-smoothness for highest performance and efficiency.

**Pressure Regulator and Gauge:** Performance-proven, simple, built-in pressure regulator is adjustable for best performance on all deep well installations. Pressure gauge included.

**Shaft Seal:** Stainless steel heat sink provides maximum cooling of the mechanical shaft seal.

**Heavy-Duty Motor:** Dustproof canopy completely encloses electrical components and provides dust, dirt and insect protection. Ventilating air cannot contaminate vital switching components. Permanently lubricated, heavy-duty ball bearings ensure smooth, quiet operation and extended motor life.

**Easy Serviceability:** PL pumps are disassembled by removing the stainless steel clamp. Piping does not have to be disturbed. Seal replacement takes only a few minutes. “Control room” motor design makes all components easily accessible.

## ORDERING INFORMATION

CATALOG NUMBER	HP	DESCRIPTION	PIPE TAPPING SIZES			MOTOR VOLTAGE	APPROX. WT. LBS.
			SUCT.	DRIVE	DISCH.		
5PL	1/2	Deep Well Jet	1-1/4"	1"	1"	115/230	27
7PL	3/4	Deep Well Jet	1-1/4"	1"	1"	115/230	28
10PL	1	Deep Well Jet	1-1/4"	1"	1"	115/230	30
15PL	1-1/2	Deep Well Jet	1-1/4"	1"	1"	115/230	36

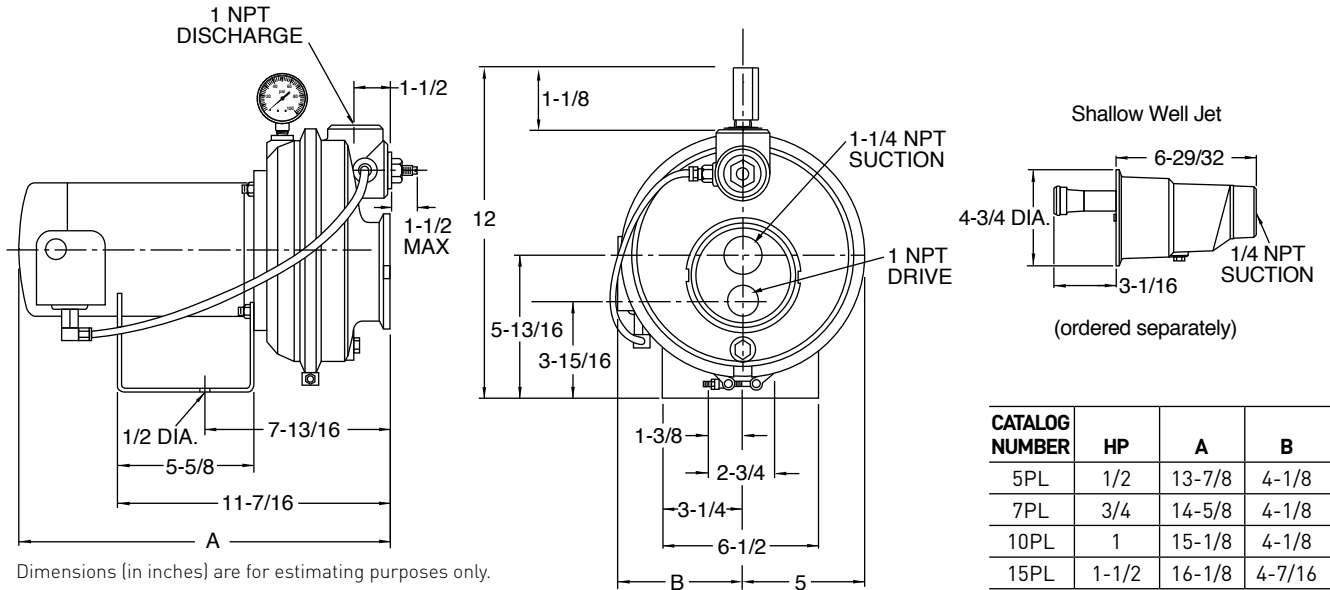
A Jet Package should be ordered with every PL Series pump.

Pentair trademarks and logos are owned by Pentair plc or its affiliates. All other third party registered and unregistered trademarks and logos are the property of their respective owners.

# BERKELEY® PL Series

Corrosion-resistant, convertible deep well jet pumps

## OUTLINE DIMENSIONS



## PUMP PERFORMANCE (Capacity in gallons per minute) SHALLOW WELL

CATALOG NUMBER	HP	S.W. JET NUMBER	PRESS. SWITCH SETTING	DYNAMIC SUCTION LIFT FT.	DISCHARGE PRESSURE PSI					SHUT-OFF PRESSURE PSI
					20'	30'	40'	50'	60'	
5PL	1/2	PKG 1 - 21N	30-50	5'	9.5	9.2	9.0	5.8	3.0	72
				10'	8.2	8.0	7.8	5.2	2.3	70
				15'	7.2	6.8	6.8	4.5	1.8	68
				20'	5.7	5.7	5.7	3.8		66
				25'	4.3	4.3	4.3	3.2		62
7PL	3/4	PKG 1 - 22N	30-50	5'	16.2	15.8	15.3	8.7	1.3	62
				10'	14.2	14.0	13.8	7.2		60
				15'	12.2	12.0	11.8	5.3		58
				20'	9.7	9.7	9.2	3.7		55
				25'	7.2	6.8	6.8			52
10PL	1	PKG 1 - 23N	30-50	5'	21.3	21.0	20.7	13.2	4.2	62
				10'	18.8	18.7	18.3	11.1	1.7	60
				15'	16.0	15.8	15.7	8.9		58
				20'	12.8	12.7	12.3	5.7		55
				25'	8.5	8.5	8.5			52
15PL	1-1/2	PKG 1 - 24N	30-50	5'	26.3	26.2	26.2	21.3	7.7	64
				10'	23.7	23.3	23.2	19.2	3.5	62
				15'	20.3	20.2	20.0	16.3		60
				20'	16.2	16.0	15.8	11.2		57
				25'	11.5	11.3	11.3			54

Tested and rated in accordance with Water Systems Council Standards.

NOTE: Pumps installed with a Pro-Source® tank require a 100 PSI relief valve. Pumps installed with a conventional tank require a 75 PSI relief valve. Relief valve must be capable of relieving entire flow of pump at relief pressure.

# BERKELEY® PL Series

Corrosion-resistant, convertible deep well jet pumps

PUMP PERFORMANCE (Capacity in gallons per minute)													
DEEP WELL (40 PSI) 4" DOUBLE PIPE													
CAT. NO.	HP	JET NO.	USES VENTURI	USES NOZZLE	PUMPING DEPTH IN FEET								
					30'	40'	50'	60'	70'	80'	90'	100'	
5PL	1/2	4SD	J32P-24	J34P-41	4.5	3.5	2.3	1.3					
		10SD	N32P-67B	J34P-44	9.5	7.0	4.5	2.0					
7PL	3/4	4SD	J32P-24	J34P-41	6.5	5.1	4.0	3.0	1.8	0.8			
10PL	1	4SD	J32P-24	J34P-41	8.4	7.3	6.2	5.0	4.1	2.9	2.0	1.1	
15PL	1-1/2	11SD	N32P-68B	J34P-44	11.5	9.4	8.0	6.5	5.3	3.8	2.5	1.1	

PUMP PERFORMANCE (Capacity in gallons per minute)														
DEEP WELL (40 PSI) 2" SINGLE PIPE														
CAT. NO.	HP	JET NO.	USES VENTURI	USES NOZZLE	PUMPING DEPTH IN FEET									
					20'	30'	40'	50'	60'	70'	80'	90'	100'	110'
5PL	1/2	13AP	J32P-26	J34P-44	5.8	3.8	1.0							
		10AP	J32P-24	J34P-44	4.3	3.0	1.6							
		8AP	J32P-18	J34P-42	3.8	3.3	2.6	2.0	1.5					
7PL	3/4	14AP	J32P-32	J34P-45	9.2	6.7	4.3							
		10AP	J32P-24	J34P-44	6.2	4.8	3.7	2.3	1.2					
		8AP	J32P-18	J34P-42	4.1	3.7	3.1	2.6	2.1	1.6	1.2	0.8		
10PL	1	15AP	J32P-33	J34P-41	12.3	9.2	5.7							
		9AP	J32P-29	J34P-44	10.6	7.4	4.7	2.2						
		8AP	J32P-18	J34P-42	5.0	4.7	4.2	3.8	3.3	2.7	2.3	1.8	1.3	
15PL	1-1/2	16AP	J32P-38	J34P-45	15.3	11.8	8.5	5.2						
		9AP	J32P-29	J34P-44	-	12.3	9.3	6.4	4.0					
		8AP	J32P-18	J34P-42	-	5.7	5.0	4.6	4.2	3.7	3.3	2.8	2.4	1.8

DEEP WELL (40 PSI) 3" SINGLE PIPE														
5PL	1/2	25CP	J32P-26	J34P-44	5.8	4.0	2.1							
		19CP	J32P-24	J34P-41	-	4.5	3.5	2.3	1.3					
7PL	3/4	11CP	J32P-32	J34P-45	9.5	7.0	4.5	2.0						
		19CP	J32P-24	J34P-41	-	6.5	5.1	4.0	3.0	1.8	0.8			
10PL	1	26CP	J32P-33	J34P-41	13.0	9.8	6.0							
		17CP	J32P-29	J34P-44	-	11.5	8.0	5.2	2.6					
		19CP	J32P-24	J34P-41	-	8.4	7.3	6.2	5.0	4.1	2.9	2.0	1.1	
15PL	1-1/2	10CP	J32P-38	J34P-45	16.6	13.3	9.5	6.0						
		15CP	J32P-22	J34P-43	-	8.6	7.9	6.9	6.2	5.4	4.4	3.2	2.2	1.5

Tested and rated in accordance with Water Systems Council Standards.

NOTE: Pumps installed with a Pro-Source® tank require a 100 PSI relief valve. Pumps installed with a conventional tank require a 75 PSI relief valve. Relief valve must be capable of relieving entire flow of pump at relief pressure.



US: 293 WRIGHT STREET, DELAVAN, WI 53115 WWW.BERKELEYPUMPS.COM PH: 888-782-7483 ORDERS FAX: 800-426-9446  
CANADA: 490 PINEBUSH ROAD, UNIT 4, CAMBRIDGE, ONTARIO N1T 0A5 PH: 800-363-7867 ORDERS FAX: 888-606-5484  
Because we are continuously improving our products and services, Pentair reserves the right to change specifications without prior notice.