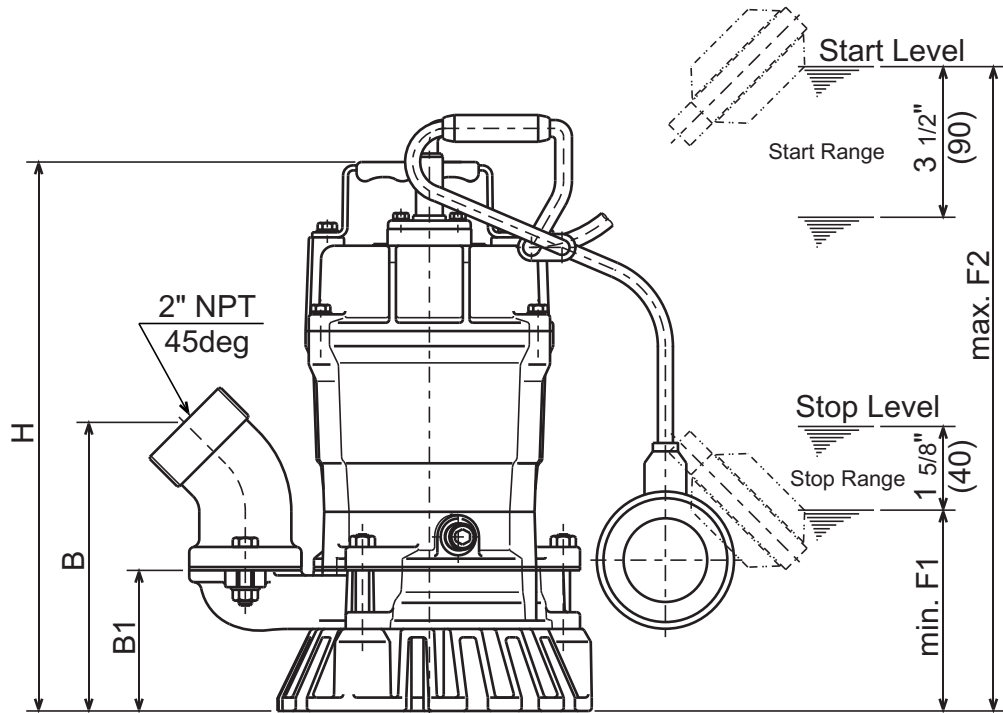
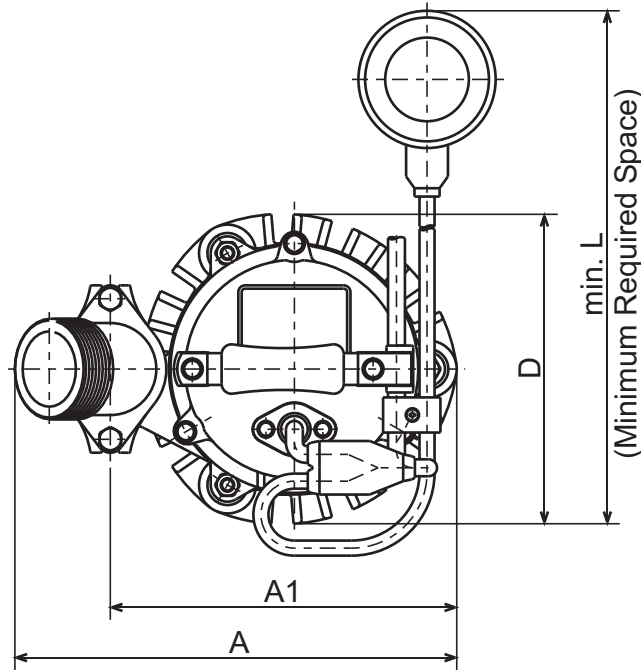




HS - SERIES
SEMI-VORTEX - WASTEWATER PUMP (AUTO-TYPE)

DIMENSIONS

HSZ2.4S-62



DIMENSIONS:USCS (Inch)

| Model | HP | NOM. SIZE | Pump & Motor | | | | | | Space min. L | Stop min. F1 | Start max. F2 | Wt. (lbs.) |
|------------|-----|-----------|--------------|-------|-------|--------|--------|----------|--------------|--------------|---------------|------------|
| | | | A | A1 | B | B1 | D | H | | | | |
| HSZ2.4S-62 | 1/2 | 2" | 10 1/16 | 8 1/8 | 6 3/8 | 3 5/16 | 7 5/16 | 12 15/16 | 13 1/2 | 4 3/4 | 15 1/8 | 25 |

DIMENSIONS:METRIC (mm)

| Model | kW | NOM. SIZE | Pump & Motor | | | | | | Space min. L | Stop min. F1 | Start max. F2 | Wt. (kg) |
|------------|------|-----------|--------------|-----|-----|----|-----|-----|--------------|--------------|---------------|----------|
| | | | A | A1 | B | B1 | D | H | | | | |
| HSZ2.4S-62 | 0.40 | 50 | 255 | 207 | 162 | 84 | 185 | 328 | 340 | 120 | 385 | 11.3 |