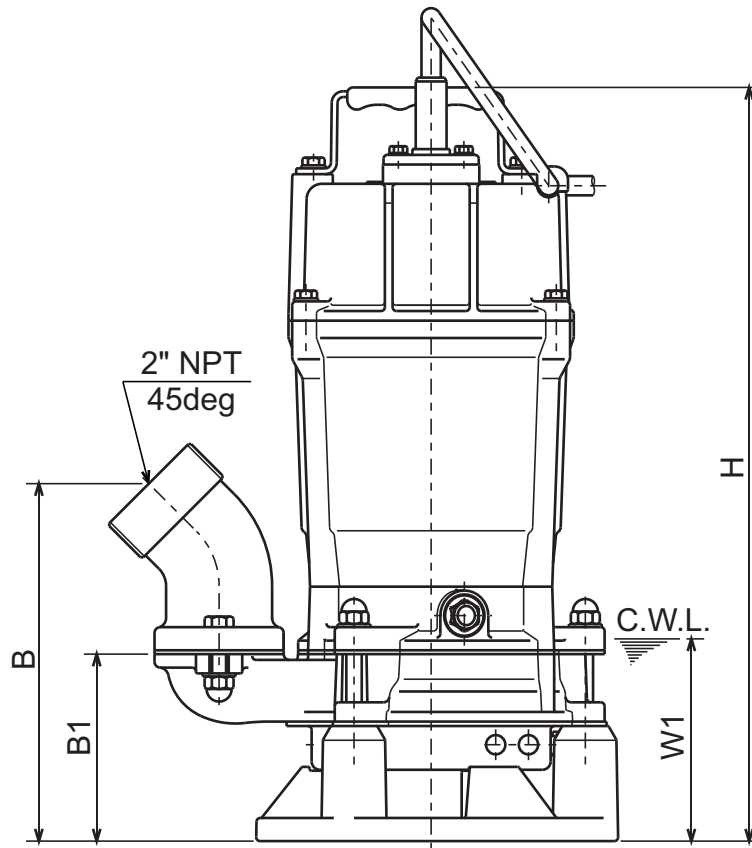
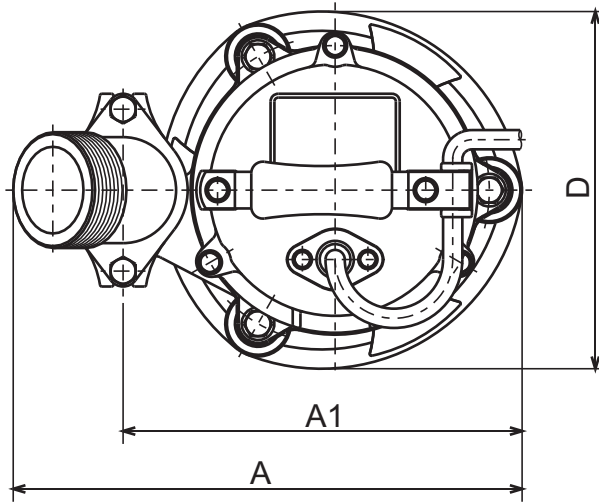




HSD2.55S - 63
SEMI-VORTEX - DEWATERING PUMP

DIMENSIONS

HSD2.55S-63



C.W.L. : Continuous running Water Level

DIMENSIONS:USCS (Inch)

Model	HP	NOM. SIZE	Pump & Motor						C.W.L.	Wt. (lbs.)
			A	A1	B	B1	D	H	W1	
HSD2.55S-63	3/4	2"	10 3/8	8 1/8	7 5/16	3 13/16	7 5/16	15 3/8	4 1/8	34

DIMENSIONS:METRIC (mm)

Model	kW	NOM. SIZE	Pump & Motor						C.W.L.	Wt. (kg)
			A	A1	B	B1	D	H	W1	
HSD2.55S-63	0.55	50	264	207	185	97	185	391	105	15.3