

INTRODUCTION

Thank you for purchasing a Honda engine. We want to help you to get the best results from your new engine and to operate it safely. This manual contains information on how to do that; please read it carefully before operating the engine. If a problem should arise, or if you have any questions about your engine, consult an authorized Honda servicing dealer.

All information in this publication is based on the latest product information available at the time of printing. Honda Motor Co., Ltd. reserves the right to make changes at any time without notice and without incurring any obligation. No part of this publication may be reproduced without written permission.


This manual should be considered a permanent part of the engine and should remain with the engine if resold.

Review the instructions provided with the equipment powered by this engine for any additional information regarding engine startup, shutdown, operation, adjustments or any special maintenance instructions.

United States, Puerto Rico, and U.S. Virgin Islands:
We suggest you read the warranty policy to fully understand its coverage and your responsibilities of ownership. The warranty policy is a separate document that should have been given to you by your dealer.

SAFETY MESSAGES

Your safety and the safety of others are very important. We have provided important safety messages in this manual and on the engine. Please read these messages carefully.

A safety message alerts you to potential hazards that could hurt you or others. Each safety message is preceded by a safety alert symbol  and one of three words, DANGER, WARNING, or CAUTION.

These signal words mean:

 **DANGER**

You **WILL** be **KILLED** or **SERIOUSLY HURT** if you don't follow instructions.

 **WARNING**

You **CAN** be **KILLED** or **SERIOUSLY HURT** if you don't follow instructions.

 **CAUTION**

You **CAN** be **HURT** if you don't follow instructions.

Each message tells you what the hazard is, what can happen, and what you can do to avoid or reduce injury.

DAMAGE PREVENTION MESSAGES

You will also see other important messages that are preceded by the word NOTICE.

This word means:

 **NOTICE**

Your engine or other property can be damaged if you don't follow instructions.

The purpose of these messages is to help prevent damage to your engine, other property, or the environment.

© 2005 Honda Motor Co., Ltd. — All Rights Reserved

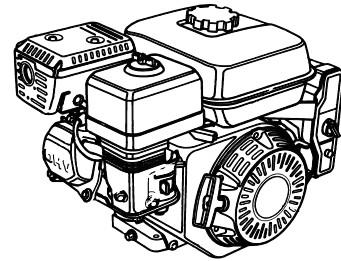
GX120U1-GX160U1-GX200U

37Z4F603
00X37-Z4F-6030

HONDA

OWNER'S MANUAL MANUEL DE L'UTILISATEUR MANUAL DEL PROPIETARIO

GX120 · GX160 · GX200



WARNING:



The engine exhaust from this product contains chemicals known to the State of California to cause cancer, birth defects or other reproductive harm.

CONTENTS

INTRODUCTION	1	SEDIMENT CUP	12
SAFETY MESSAGES	1	SPARK PLUG	12
SAFETY INFORMATION	2	SPARK ARRESTER	13
SAFETY LABEL LOCATION	2	IDLE SPEED	13
COMPONENT & CONTROL LOCATION	2	HELPFUL TIPS & SUGGESTIONS	13
FEATURES	3	STORING YOUR ENGINE	13
BEFORE OPERATION CHECKS	3	TRANSPORTING	14
OPERATION	4	TAKING CARE OF UNEXPECTED PROBLEMS	15
SAFE OPERATING PRECAUTIONS	4	FUSE REPLACEMENT	15
STARTING THE ENGINE	4	TECHNICAL & CONSUMER INFORMATION	16
STOPPING THE ENGINE	5	Serial Number Location	16
SETTING ENGINE SPEED	6	Battery Connections for Electric Starter	16
SERVICING YOUR ENGINE	7	Remote Control Linkage	16
THE IMPORTANCE OF MAINTENANCE	7	Carburetor Modifications for High Altitude Operation	16
MAINTENANCE SAFETY	7	Oxygenated Fuels	17
SAFETY PRECAUTIONS	7	Emission Control System Information	17
MAINTENANCE SCHEDULE	7	Air Index	18
REFUELING	8	Specifications	18
ENGINE OIL	8	Tuneup Specifications	18
Recommended Oil	8	Quick Reference Information	19
Oil Level Check	9	Wiring Diagrams	19
Oil Change	9	CONSUMER INFORMATION	20
REDUCTION CASE OIL	9	Distributor/Dealer Locator Information	20
Recommended Oil	9	Customer Service Information	20
Oil Level Check	9		
Oil Change	10		
ENGINE CLEANER	10		
Inspection	10		
Cleaning	11		

ENGLISH

FRANÇAIS

ESPAÑOL

SAFETY INFORMATION

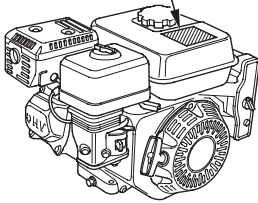
- Understand the operation of all controls and learn how to stop the engine quickly in case of emergency. Make sure the operator receives adequate instruction before operating the equipment.
- Do not allow children to operate the engine. Keep children and pets away from the area of operation.
- Your engine's exhaust contains poisonous carbon monoxide. Do not run the engine without adequate ventilation, and never run the engine indoors.
- The engine and exhaust become very hot during operation. Keep the engine at least 1 meter (3 feet) away from buildings and other equipment during operation. Keep flammable materials away, and do not place anything on the engine while it is running.

SAFETY LABEL LOCATION

This label warns you of potential hazards that can cause serious injury. Read it carefully. If the label comes off or becomes hard to read, contact your Honda dealer for replacement.



For Canadian types:
French label comes with the engine.



Gasoline is highly flammable and explosive. Turn engine off and let cool before refueling.

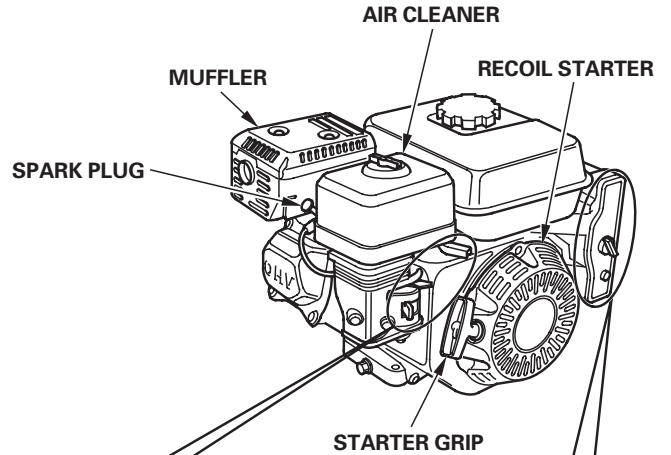
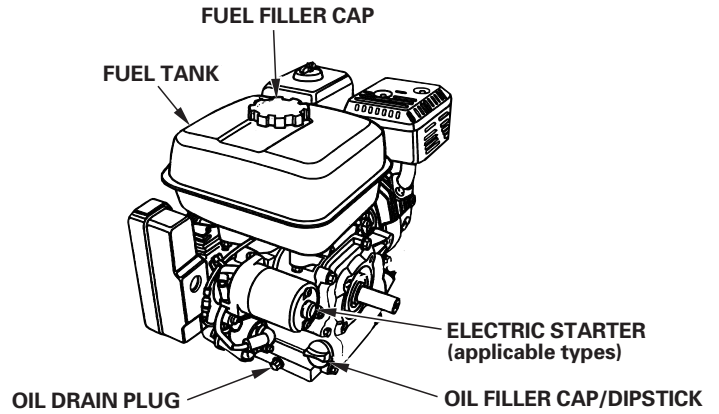


The engine emits toxic poisonous carbon monoxide gas. Do not run in an enclosed area.

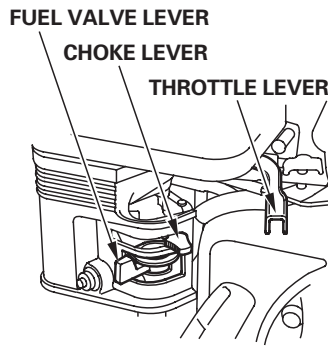


Read Owner's Manual before operation.

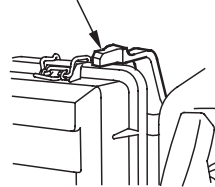
COMPONENT & CONTROL LOCATION



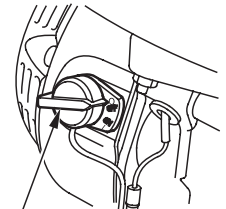
ENGINE CONTROL TYPES



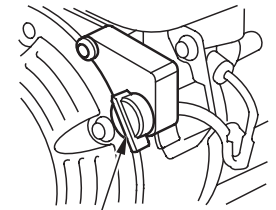
CHOKE LEVER (air cleaner low profile type)



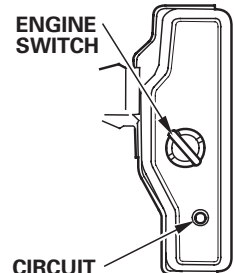
EXCEPT ELECTRIC STARTER TYPES



ENGINE SWITCH



ENGINE SWITCH
ELECTRIC STARTER TYPES



ENGINE SWITCH
CIRCUIT PROTECTOR

FEATURES

OIL ALERT® SYSTEM (applicable types)

The Oil Alert® system is designed to prevent engine damage caused by an insufficient amount of oil in the crankcase. Before the oil level in the crankcase can fall below a safe limit, the Oil Alert® system will automatically stop the engine (the engine switch will remain in the ON position).

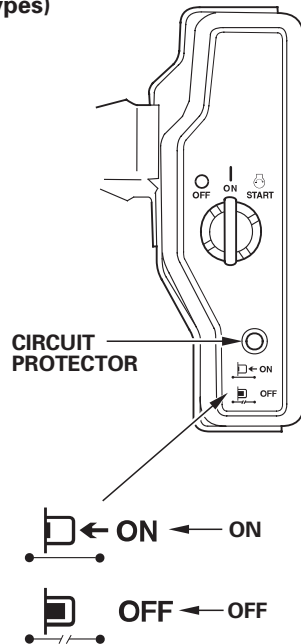
If the engine stops and will not restart, check the engine oil level (see page 9) before troubleshooting in other areas.

CIRCUIT PROTECTOR (applicable types)

The circuit protector protects the battery charging circuit. A short circuit, or a battery connected with reverse polarity, will trip the circuit protector.

The green indicator inside the circuit protector will pop out to show that the circuit protector has switched off. If this occurs, determine the cause of the problem, and correct it before resetting the circuit protector.

Push the circuit protector button to reset.



BEFORE OPERATION CHECKS

IS YOUR ENGINE READY TO GO?

For your safety, and to maximize the service life of your equipment, it is very important to take a few moments before you operate the engine to check its condition. Be sure to take care of any problem you find, or have your servicing dealer correct it, before you operate the engine.

⚠ WARNING

Improperly maintaining this engine, or failure to correct a problem before operation, can cause a malfunction in which you can be seriously hurt or killed.

Always perform a preoperation inspection before each operation, and correct any problem.

Before beginning your preoperation checks, be sure the engine is level and the engine switch is in the OFF position.

Always check the following items before you start the engine:

Check the General Condition of the Engine

1. Look around and underneath the engine for signs of oil or gasoline leaks.
2. Remove any excessive dirt or debris, especially around the muffler and recoil starter.
3. Look for signs of damage.
4. Check that all shields and covers are in place, and all nuts, bolts, and screws are tightened.

Check the Engine

1. Check the fuel level (see page 8). Starting with a full tank will help to eliminate or reduce operating interruptions for refueling.
2. Check the engine oil level (see page 9). Running the engine with a low oil level can cause engine damage.

The Oil Alert® system (applicable types) will automatically stop the engine before the oil level falls below safe limits. However, to avoid the inconvenience of an unexpected shutdown, always check the engine oil level before startup.

3. Check the reduction case oil level on applicable types (see page 9). Oil is essential to reduction case operation and long life.
4. Check the air filter element (see page 10). A dirty air filter element will restrict air flow to the carburetor, reducing engine performance.
5. Check the equipment powered by this engine.

Review the instructions provided with the equipment powered by this engine for any precautions and procedures that should be followed before engine startup.

OPERATION

SAFE OPERATING PRECAUTIONS

Before operating the engine for the first time, please review the *SAFETY INFORMATION* section on page 2 and the *BEFORE OPERATION CHECKS* on page 3.

⚠ WARNING

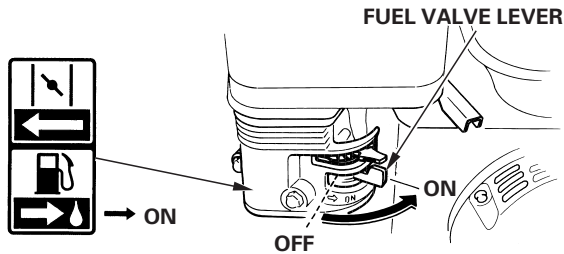
Carbon monoxide gas is toxic. Breathing it can cause unconsciousness and even kill you.

Avoid any areas or actions that expose you to carbon monoxide.

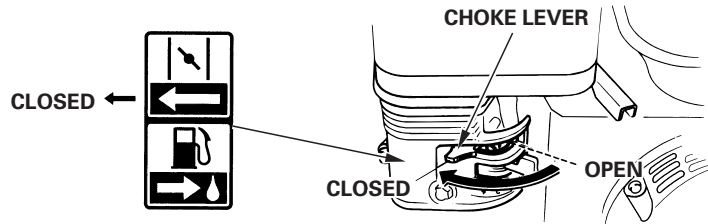
Review the instructions provided with the equipment powered by this engine for any safety precautions that should be observed with engine startup, shutdown or operation.

STARTING THE ENGINE

1. Move the fuel valve lever to the ON position.



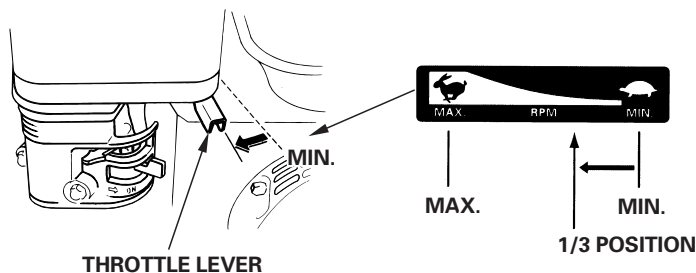
2. To start a cold engine, move the choke lever to the CLOSED position.



To restart a warm engine, leave the choke lever in the OPEN position.

Some engine applications use a remote-mounted choke control rather than the engine-mounted choke lever shown here. Refer to the instructions provided by the equipment manufacturer.

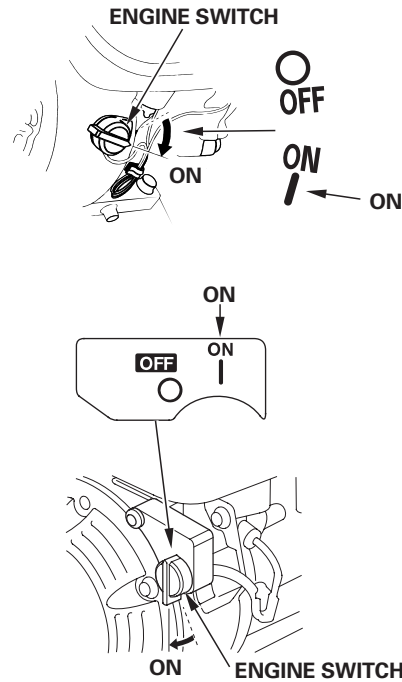
3. Move the throttle lever away from the MIN. position, about 1/3 of the way toward the MAX. position.



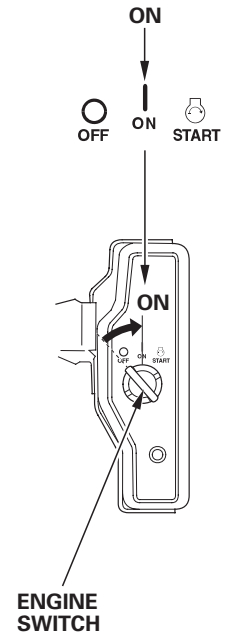
Some engine applications use a remote-mounted throttle control rather than the engine-mounted throttle lever shown here. Refer to the instructions provided by the equipment manufacturer.

4. Turn the engine switch to the ON position.

EXCEPT ELECTRIC STARTER TYPES



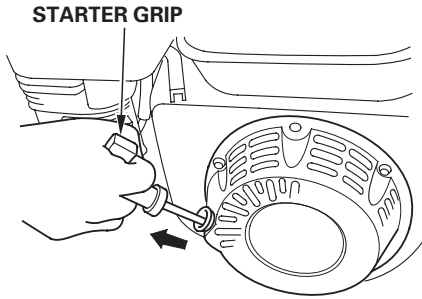
ELECTRIC STARTER TYPES



5. Operate the starter.

RECOIL STARTER:

Pull the starter grip lightly until you feel resistance, then pull briskly. Return the starter grip gently.



NOTICE

Do not allow the starter grip to snap back against the engine. Return it gently to prevent damage to the starter.

ELECTRIC STARTER (applicable types):

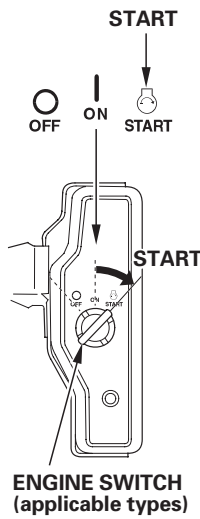
Turn the key to the START position, and hold it there until the engine starts.

If the engine fails to start within 5 seconds, release the key, and wait at least 10 seconds before operating the starter again.

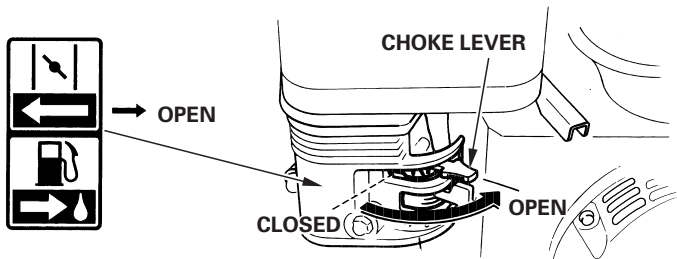
NOTICE

Using the electric starter for more than 5 seconds at a time will overheat the starter motor and can damage it.

When the engine starts, release the key, allowing it to return to the ON position.



6. If the choke lever has been moved to the CLOSED position to start the engine, gradually move it to the OPEN position as the engine warms up.



STOPPING THE ENGINE

To stop the engine in an emergency, simply turn the engine switch to the OFF position. Under normal conditions, use the following procedure. Refer to the instructions provided by the equipment manufacturer.

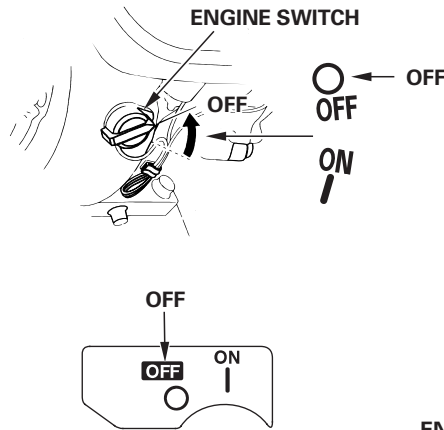
1. Move the throttle lever to the MIN. position.

Some engine applications use a remote-mounted throttle control rather than the engine-mounted throttle lever shown here.

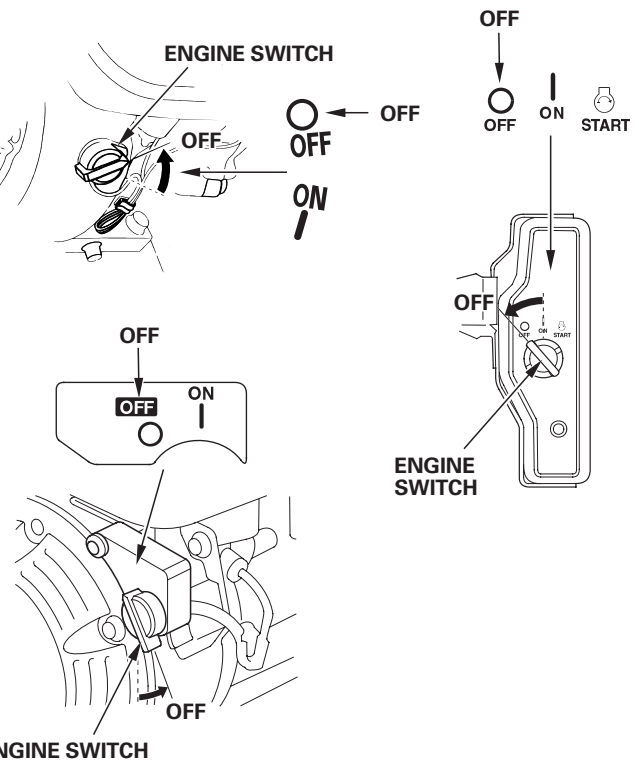


2. Turn the engine switch to the OFF position.

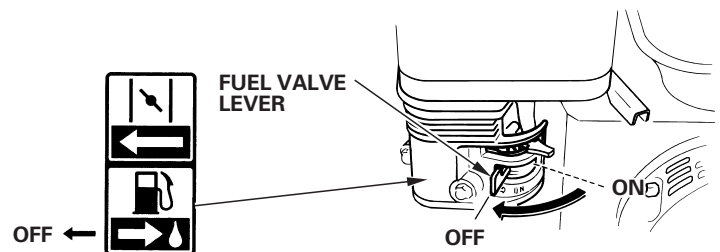
EXCEPT ELECTRIC STARTER TYPES



ELECTRIC STARTER TYPES



3. Turn the fuel valve lever to the OFF position.

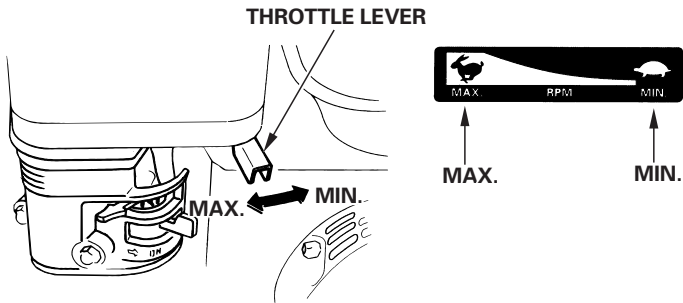


SETTING ENGINE SPEED

Position the throttle lever for the desired engine speed.

Some engine applications use a remote-mounted throttle control rather than the engine-mounted throttle lever shown here. Refer to the instructions provided by the equipment manufacturer.

For engine speed recommendations, refer to the instructions provided with the equipment powered by this engine.



SERVICING YOUR ENGINE

THE IMPORTANCE OF MAINTENANCE

Good maintenance is essential for safe, economical and trouble-free operation. It will also help reduce pollution.

⚠ WARNING

Improper maintenance, or failure to correct a problem before operation, can cause a malfunction in which you can be seriously hurt or killed.

Always follow the inspection and maintenance recommendations and schedules in this owner's manual.

To help you properly care for your engine, the following pages include a maintenance schedule, routine inspection procedures, and simple maintenance procedures using basic hand tools. Other service tasks that are more difficult, or require special tools, are best handled by professionals and are normally performed by a Honda technician or other qualified mechanic.

The maintenance schedule applies to normal operating conditions. If you operate your engine under severe conditions, such as sustained high-load or high-temperature operation, or use in unusually wet or dusty conditions, consult your servicing dealer for recommendations applicable to your individual needs and use.

Maintenance, replacement, or repair of the emission control devices and systems may be performed by any engine repair establishment or individual, using parts that are "certified" to EPA standards.

MAINTENANCE SAFETY

Some of the most important safety precautions follow. However, we cannot warn you of every conceivable hazard that can arise in performing maintenance. Only you can decide whether or not you should perform a given task.

⚠ WARNING

Failure to properly follow maintenance instructions and precautions can cause you to be seriously hurt or killed.

Always follow the procedures and precautions in this owner's manual.

SAFETY PRECAUTIONS

- Make sure the engine is off before you begin any maintenance or repairs. This will eliminate several potential hazards:
 - **Carbon monoxide poisoning from engine exhaust.**
Be sure there is adequate ventilation whenever you operate the engine.
 - **Burns from hot parts.**
Let the engine and exhaust system cool before touching.
 - **Injury from moving parts.**
Do not run the engine unless instructed to do so.
- Read the instructions before you begin, and make sure you have the tools and skills required.
- To reduce the possibility of fire or explosion, be careful when working around gasoline. Use only a nonflammable solvent, not gasoline, to clean parts. Keep cigarettes, sparks and flames away from all fuel related parts.

Remember that an authorized Honda servicing dealer knows your engine best and is fully equipped to maintain and repair it. To ensure the best quality and reliability, use only new genuine Honda parts or their equivalents for repair and replacement.

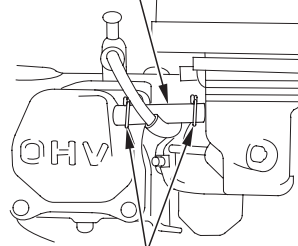
MAINTENANCE SCHEDULE

REGULAR SERVICE PERIOD (3) Perform at every indicated month or operating hour interval, whichever comes first.	Each Use	First Month or 20 Hrs	Every 3 Months or 50 Hrs	Every 6 Months or 100 Hrs	Every Year or 300 Hrs	Refer to Page
ITEM						
Engine oil	Check level	○				9
	Change		○	○		9
Reduction case oil (applicable types)	Check level	○				9 – 10
	Change		○	○		10
Air filter	Check	○				10
	Clean		○ (1)	○ * (1)		11 – 12
	Replace				○ * *	
Sediment cup	Clean			○		12
Spark plug	Check-adjust			○		12
	Replace				○	
Spark arrester (applicable types)	Clean			○		13
Idle speed	Check-adjust				○ (2)	13
Valve clearance	Check-adjust				○ (2)	Shop manual
Combustion chamber	Clean	After every 500 Hrs. (2)				Shop manual
Fuel tank & filter	Clean			○ (2)		Shop manual
Fuel tube	Check	Every 2 years (Replace if necessary) (2)				Shop manual

- * • Internal vent carburetor with dual element type only.
- Cyclone type every 6 months or 150 hours.

INTERNAL VENT CARBURETOR TYPE

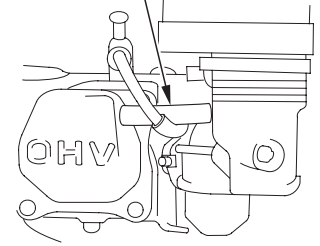
BREATHER TUBE



TUBE CLIP

STANDARD TYPE

BREATHER TUBE



- * * • Replace paper element type only.
- Cyclone type every 2 years or 600 hours.

- (1) Service more frequently when used in dusty areas.
- (2) These items should be serviced by your servicing dealer, unless you have the proper tools and are mechanically proficient. Refer to Honda shop manual for service procedures.
- (3) For commercial use, log hours of operation to determine proper maintenance intervals.

Failure to follow this maintenance schedule could result in non-warrantable failures.

REFUELING

Recommended Fuel

Unleaded gasoline	
U.S.	Pump octane rating 86 or higher
Except U.S.	Research octane rating 91 or higher
	Pump octane rating 86 or higher

This engine is certified to operate on unleaded gasoline. Unleaded gasoline produces fewer engine and spark plug deposits and extends exhaust system life.

⚠ WARNING

Gasoline is highly flammable and explosive, and you can be burned or seriously injured when refueling.

- Stop engine and keep heat, sparks, and flame away.
- Refuel only outdoors.
- Wipe up spills immediately.

NOTICE

Fuel can damage paint and some types of plastic. Be careful not to spill fuel when filling your fuel tank. Damage caused by spilled fuel is not covered under the Distributor's Limited Warranty.

Never use stale or contaminated gasoline or oil/gasoline mixture. Avoid getting dirt or water in the fuel tank.

Occasionally you may hear a light "spark knock" or "pinging" (metallic rapping noise) while operating under heavy loads. This is no cause for concern.

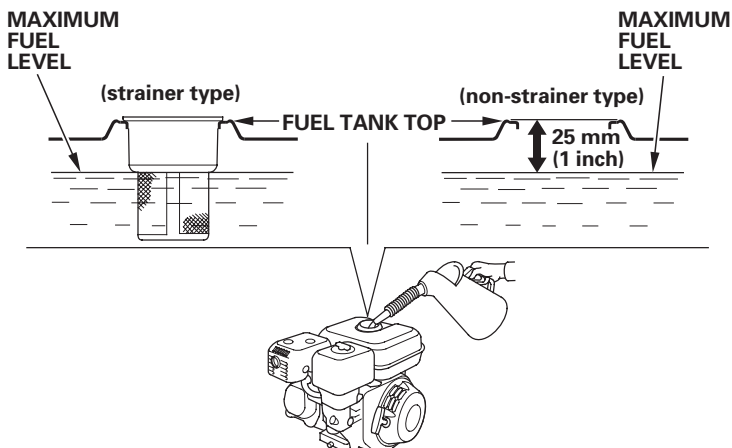
If spark knock or pinging occurs at a steady engine speed, under normal load, change brands of gasoline. If spark knock or pinging persists, see an authorized Honda servicing dealer.

NOTICE

Running the engine with persistent spark knock or pinging can cause engine damage.

Running the engine with persistent spark knock or pinging is considered misuse, and the Distributor's Limited Warranty does not cover parts damaged by misuse.

1. With the engine stopped and on a level surface, remove the fuel tank cap and check the fuel level. Refill the tank if the fuel level is low.
2. Add fuel to the bottom of the fuel level limit of the fuel tank. Do not overfill. Wipe up spilled fuel before starting the engine.



Refuel in a well-ventilated area before starting the engine. If the engine has been running, allow it to cool. Refuel carefully to avoid spilling fuel. Do not fill the fuel tank completely. Fill tank to approximately 25 mm (1 inch) below the top of the fuel tank to allow for fuel expansion. It may be necessary to lower the fuel level depending on operating conditions. After refueling, tighten the fuel tank cap securely.

Never refuel the engine inside a building where gasoline fumes may reach flames or sparks. Keep gasoline away from appliance pilot lights, barbecues, electric appliances, power tools, etc.

Spilled fuel is not only a fire hazard, it causes environmental damage. Wipe up spills immediately.

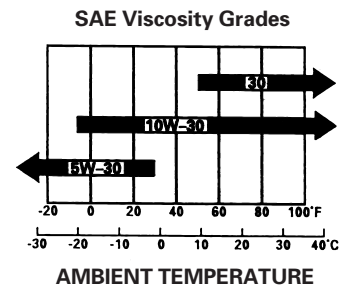
For information regarding oxygenated fuels, please refer to page 17.

ENGINE OIL

Oil is a major factor affecting performance and service life. Use 4-stroke automotive detergent oil.

Recommended Oil

Use 4-stroke motor oil that meets or exceeds the requirements for API service classification SJ, SL, or equivalent. Always check the API service label on the oil container to be sure it includes the letters SJ, SL, or equivalent.

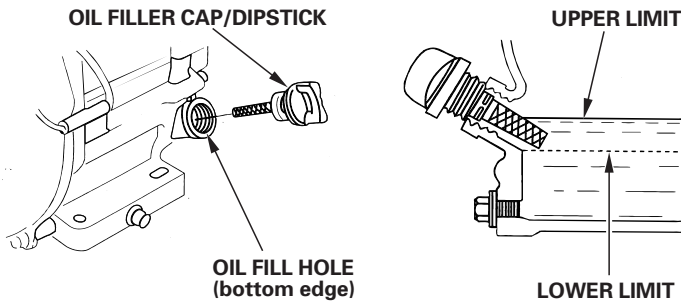


SAE 10W-30 is recommended for general use. Other viscosities shown in the chart may be used when the average temperature in your area is within the indicated range.

Oil Level Check

Check the engine oil level with the engine stopped and in a level position.

1. Remove the oil filler cap/dipstick and wipe it clean.
2. Insert the oil filler cap/dipstick into the oil filler neck as shown, but do not screw it in, then remove it to check the oil level.
3. If the oil level is near or below the lower limit mark on the dipstick, fill with the recommended oil (see page 8) to the upper limit mark (bottom edge of the oil fill hole). Do not overfill.
4. Reinstall the oil filler cap/dipstick.



NOTICE

Running the engine with a low oil level can cause engine damage.

The Oil Alert® system (applicable types) will automatically stop the engine before the oil level falls below the safe limit. However, to avoid the inconvenience of an unexpected shutdown, always check the engine oil level before startup.

Oil Change

Drain the used oil when the engine is warm. Warm oil drains quickly and completely.

1. Place a suitable container below the engine to catch the used oil, then remove the oil filler cap/dipstick, oil drain plug and washer.
2. Allow the used oil to drain completely, then reinstall the oil drain plug and new washer, and tighten the oil drain plug securely.

Please dispose of used motor oil in a manner that is compatible with the environment. We suggest you take used oil in a sealed container to your local recycling center or service station for reclamation. Do not throw it in the trash, pour it on the ground, or down a drain.

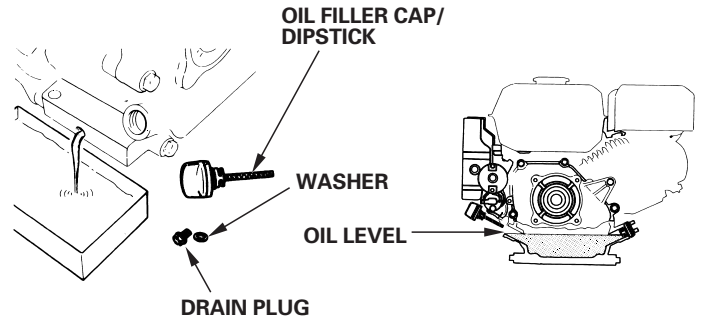
3. With the engine in a level position, fill to the upper limit mark (bottom edge of the oil fill hole) on the dipstick with the recommended oil (see page 8).

NOTICE

Running the engine with a low oil level can cause engine damage.

The Oil Alert® system (applicable types) will automatically stop the engine before the oil level falls below the safe limit. However, to avoid the inconvenience of an unexpected shutdown, fill to the upper limit, and check the oil level regularly.

4. Install the oil filler cap/dipstick and tighten securely.



REDUCTION CASE OIL (applicable types)

Recommended Oil

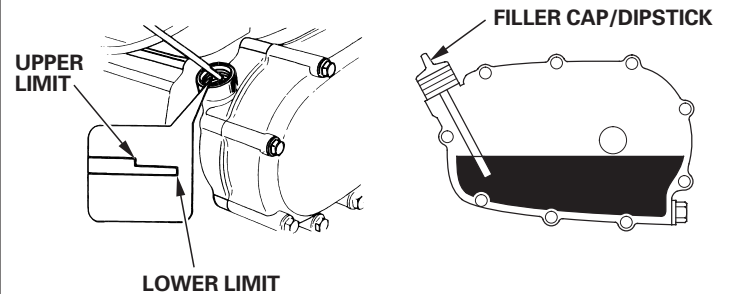
Use the same oil that is recommended for the engine (see page 8).

Oil Level Check

Check the reduction case oil level with the engine stopped and in a level position.

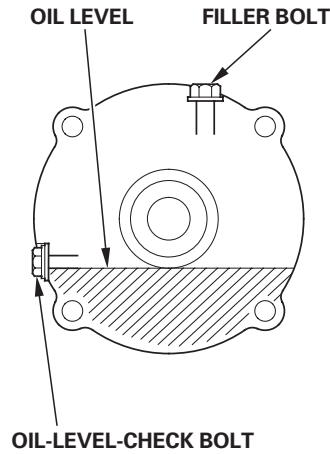
2 : 1 Reduction Case With Centrifugal Clutch

1. Remove the oil filler cap/dipstick and wipe it clean.
2. Insert and remove the oil filler cap/dipstick without screwing it into the filler hole. Check the oil level shown on the oil filler cap/dipstick.
3. If the oil level is low, add oil to reach the upper limit mark on the dipstick with the recommended oil.
4. Screw in the oil filler cap/dipstick and tighten securely.



6 : 1 Reduction Case

1. Remove the oil-level-check bolt and washer, and see whether the oil level is at the edge of the bolt hole.
2. If the oil level is below the check bolt hole, remove the filler bolt and washer. Add oil until it starts to flow out the check bolt hole with the recommended oil (see page 9).
3. Install the oil-level-check bolt, filler bolt and washers. Tighten them securely.



Oil Change

2 : 1 Reduction Case With Centrifugal Clutch

Drain the used oil while the engine is warm. Warm oil drains quickly and completely.

1. Place a suitable container below the reduction case to catch the used oil, then remove the oil filler cap/dipstick, the drain plug and washer.
2. Allow the used oil to drain completely, then reinstall the drain plug and a new washer, and tighten it securely.

Please dispose of used motor oil in a manner that is compatible with the environment. We suggest you take used oil in a sealed container to your local recycling center or service station for reclamation. Do not throw it in the trash or pour it on the ground or down a drain.

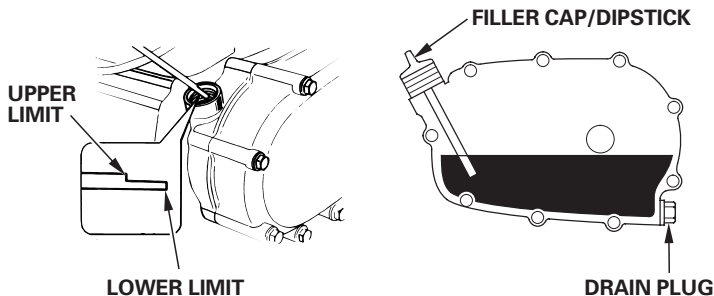
3. With the engine in a level position, fill to the upper limit mark on the dipstick with the recommended oil (see page 9). To check the oil level, insert and remove the dipstick without screwing it into the filler hole.

Reduction case oil capacity: 0.50 ℓ (0.53 US qt , 0.44 Imp qt)

NOTICE

Running the engine with a low reduction case oil level can cause reduction case damage.

4. Screw in the filler cap/dipstick securely.



6 : 1 Reduction Case

Drain the used oil while the engine is warm. Warm oil drains quickly and completely.

1. Place a suitable container below the reduction case to catch the used oil, then remove the filler bolt, oil-level-check bolt and washers.
2. Drain the used oil completely into the container by tipping the engine toward the oil-level-check bolt hole.

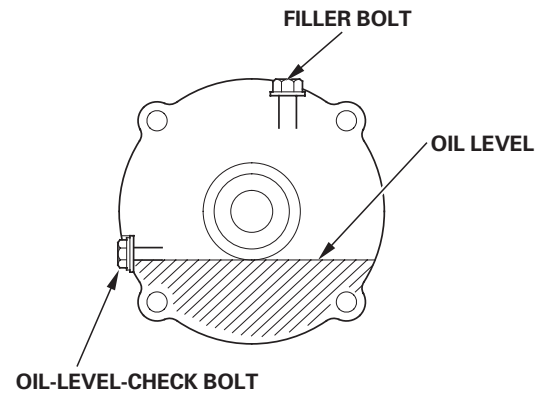
Please dispose of used motor oil in a manner that is compatible with the environment. We suggest you take used oil in a sealed container to your local recycling center or service station for reclamation. Do not throw it in the trash or pour it on the ground or down a drain.

3. With the engine in a level position, fill oil until it starts to flow out the check bolt hole with the recommended oil (see page 9).

NOTICE

Running the engine with a low reduction case oil level can cause reduction case damage.

4. Reinstall the oil-level-check bolt, filler bolt and new washers, and tighten them securely.



AIR CLEANER

A dirty air cleaner will restrict air flow to the carburetor, reducing engine performance. If you operate the engine in very dusty areas, clean the air filter more often than specified in the MAINTENANCE SCHEDULE.

NOTICE

Operating the engine without an air filter, or with a damaged air filter, will allow dirt to enter the engine, causing rapid engine wear. This type of damage is not covered by the Distributor's Limited Warranty.

Inspection

Remove the air cleaner cover and inspect the filter elements. Clean or replace dirty filter elements. Always replace damaged filter elements. If equipped with an oil-bath air cleaner, also check the oil level.

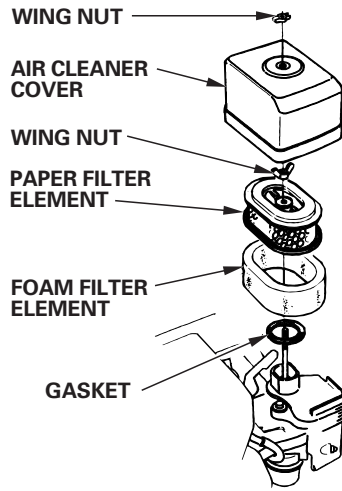
Refer to pages 11 – 12 for instructions that apply to the air cleaner and filter for your engine type.

Cleaning

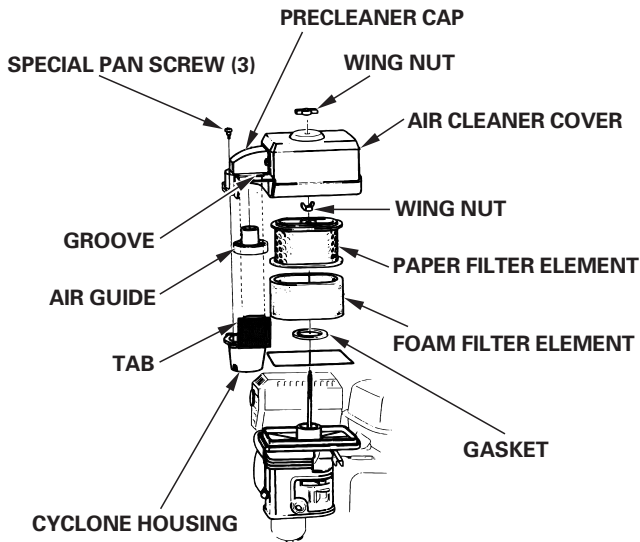
Dual-Filter-Element Types

1. Remove the wing nut from the air cleaner cover, and remove the cover.
2. Remove the wing nut from the air filter, and remove the filter.
3. Remove the foam filter from the paper filter.
4. Inspect both air filter elements, and replace them if they are damaged. Always replace the paper air filter element at the scheduled interval (see page 7).

STANDARD DUAL-FILTER-ELEMENT TYPE



CYCLONE DUAL-FILTER-ELEMENT TYPE



5. Clean the air filter elements if they are to be reused.

Paper air filter element: Tap the filter element several times on a hard surface to remove dirt, or blow compressed air [not exceeding 207 kPa (2.1 kgf/cm², 30 psi)] through the filter element from the inside. Never try to brush off dirt; brushing will force dirt into the fibers.

Foam air filter element: Clean in warm soapy water, rinse, and allow to dry thoroughly. Or clean in nonflammable solvent and allow to dry. Dip the filter element in clean engine oil, then squeeze out all excess oil. The engine will smoke when started if too much oil is left in the foam.

6. CYCLONE TYPE ONLY: Remove the three pan-head screws from the precleaner cap, then remove the cyclone housing and air guide. Wash the parts with water, dry them thoroughly, and reassemble them.

Be sure to install the air guide as shown in the illustration.

Install the cyclone housing so the air intake tab fits into the groove in the precleaner cap.

7. Wipe dirt from the inside of the air cleaner case and cover, using a moist rag. Be careful to prevent dirt from entering the air duct that leads to the carburetor.

8. Place the foam air filter element over the paper element, and reinstall the assembled air filter. Be sure the gasket is in place beneath the air filter. Tighten the air filter wing nut securely.

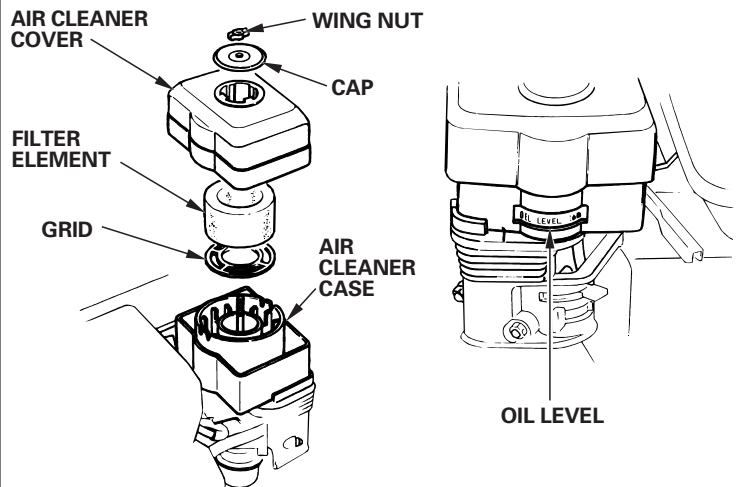
9. Install the air cleaner cover, and tighten the wing nut securely.

Oil-Bath Type

1. Remove the wing nut, and remove the air cleaner cap and cover.
2. Remove the air filter element from the cover. Wash the cover and filter element in warm soapy water, rinse, and allow to dry thoroughly. Or clean in nonflammable solvent and allow to dry.
3. Dip the filter element in clean engine oil, then squeeze out all excess oil. The engine will smoke if too much oil is left in the foam.
4. Empty the used oil from the air cleaner case, wash out any accumulated dirt with nonflammable solvent, and dry the case.
5. Fill the air cleaner case to the OIL LEVEL mark with the same oil that is recommended for the engine (see page 8).

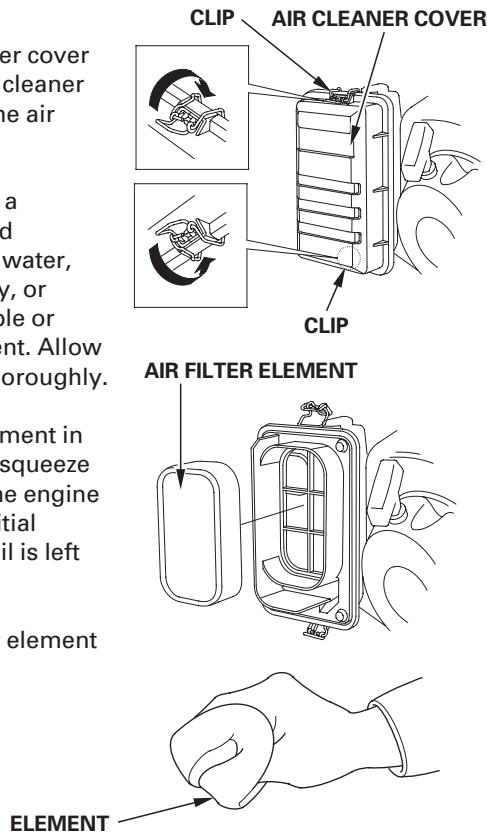
Oil capacity: 60 cm³ (2.0 US oz, 2.1 Imp oz)

6. Reassemble the air cleaner, and tighten the wing nut securely.



Low Profile Types

1. Unsnap the air cleaner cover clips, remove the air cleaner cover, and remove the air filter element.
2. Wash the element in a solution of household detergent and warm water, then rinse thoroughly, or wash in nonflammable or high flashpoint solvent. Allow the element to dry thoroughly.
3. Soak the air filter element in clean engine oil and squeeze out the excess oil. The engine will smoke during initial startup if too much oil is left in the element.
4. Reinstall the air filter element and the cover.



SEDIMENT CUP

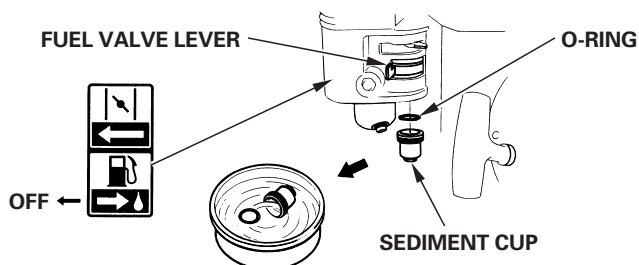
Cleaning

⚠ WARNING

Gasoline is highly flammable and explosive, and you can be burned or seriously injured when handling fuel.

- Stop engine and keep heat, sparks, and flame away.
- Handle fuel only outdoors.
- Wipe up spills immediately.

1. Move the fuel valve to the OFF position, then remove the fuel sediment cup and O-ring.
2. Wash the sediment cup and O-ring in nonflammable solvent, and dry them thoroughly.



3. Place the O-ring in the fuel valve, and install the sediment cup. Tighten the sediment cup securely.

4. Move the fuel valve to the ON position, and check for leaks. Replace the O-ring if there is any leakage.

SPARK PLUG

Recommended Spark Plugs: BPR6ES (NGK)
W20EPR-U (DENSO)

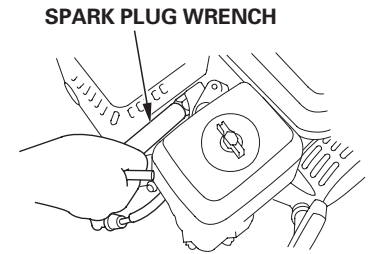
The recommended spark plug is the correct heat range for normal engine operating temperatures.

NOTICE

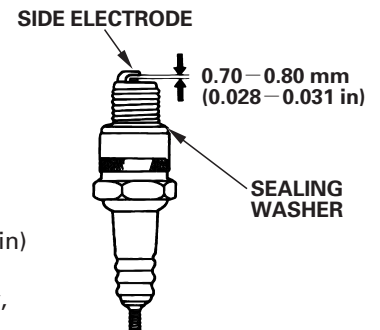
An incorrect spark plug can cause engine damage.

For good performance, the spark plug must be properly gapped and free of deposits.

1. Disconnect the spark plug cap, and remove any dirt from around the spark plug area.
2. Remove the spark plug with a 13/16-inch spark plug wrench.
3. Inspect the spark plug. Replace it if damaged, badly fouled, if the sealing washer is in poor condition, or if the electrode is worn.



4. Measure the spark plug electrode gap with a wire-type feeler gauge. Correct the gap, if necessary, by carefully bending the side electrode. The gap should be:



5. Install the spark plug carefully, by hand, to avoid cross-threading.
6. After the spark plug is seated, tighten with a 13/16-inch spark plug wrench to compress the sealing washer.
7. When installing a new spark plug, tighten 1/2 turn after the spark plug seats to compress the washer.
8. When reinstalling the original spark plug, tighten 1/8 - 1/4 turn after the spark plug seats to compress the washer.

NOTICE

A loose spark plug can overheat and damage the engine. Overtightening the spark plug can damage the threads in the cylinder head.

9. Attach the spark plug cap to the spark plug.

SPARK ARRESTER (applicable types)

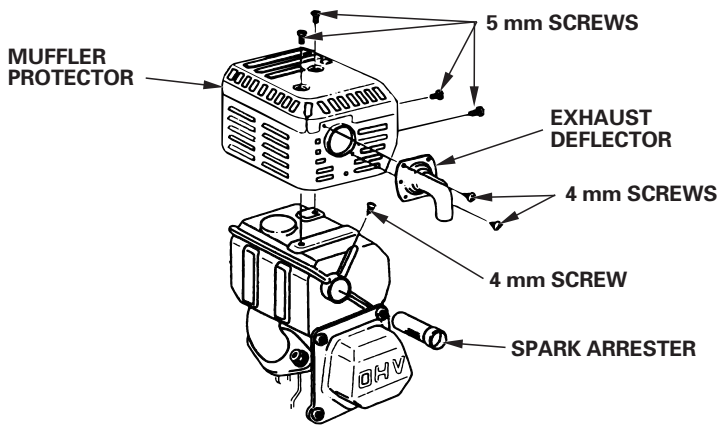
The spark arrester may be standard or an optional part, depending on the engine type. In some areas, it is illegal to operate an engine without a spark arrester. Check local laws and regulations. A spark arrester is available from authorized Honda servicing dealers.

The spark arrester must be serviced every 100 hours to keep it functioning as designed.

If the engine has been running, the muffler will be hot. Allow it to cool before servicing the spark arrester.

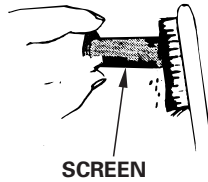
Spark Arrester Removal

1. Remove the three 4 mm screws from the exhaust deflector, and remove the deflector (applicable types).
2. Remove the four 5 mm screws from the muffler protector and remove the muffler protector.
3. Remove the 4 mm screw from the spark arrester, and remove the spark arrester from the muffler.



Spark Arrester Cleaning & Inspection

1. Use a brush to remove carbon deposits from the spark arrester screen. Be careful not to damage the screen. Replace the spark arrester if it has breaks or holes.

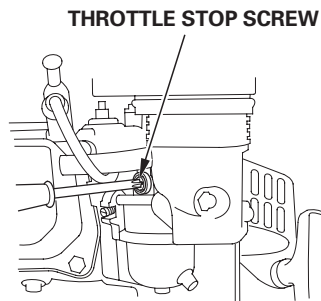


2. Install the spark arrester, muffler protector, and exhaust deflector in the reverse order of removal.

IDLE SPEED

Adjustment

1. Start the engine outdoors, and allow it to warm up to operating temperature.
2. Move the throttle lever to its minimum position.
3. Turn the throttle stop screw to obtain the standard idle speed.



HELPFUL TIPS & SUGGESTIONS

STORING YOUR ENGINE

Storage Preparation

Proper storage preparation is essential for keeping your engine trouble-free and looking good. The following steps will help to keep rust and corrosion from impairing your engine's function and appearance, and will make the engine easier to start when you use it again.

Cleaning

If the engine has been running, allow it to cool for at least half an hour before cleaning. Clean all exterior surfaces, touch up any damaged paint, and coat other areas that may rust with a light film of oil.

NOTICE

Using a garden hose or pressure washing equipment can force water into the air cleaner or muffler opening. Water in the air cleaner will soak the air filter, and water that passes through the air filter or muffler can enter the cylinder, causing damage.

Fuel

Gasoline will oxidize and deteriorate in storage. Deteriorated gasoline will cause hard starting, and it leaves gum deposits that clog the fuel system. If the gasoline in your engine deteriorates during storage, you may need to have the carburetor, and other fuel system components, serviced or replaced.

The length of time that gasoline can be left in your fuel tank and carburetor without causing functional problems will vary with such factors as gasoline blend, your storage temperatures, and whether the fuel tank is partially or completely filled. The air in a partially filled fuel tank promotes fuel deterioration. Very warm storage temperatures accelerate fuel deterioration. Fuel problems may occur within a few months, or even less if the gasoline was not fresh when you filled the fuel tank.

Fuel system damage or engine performance problems resulting from neglected storage preparation are not covered under the *Distributor's Limited Warranty*.

You can extend fuel storage life by adding a gasoline stabilizer that is formulated for that purpose, or you can avoid fuel deterioration problems by draining the fuel tank and carburetor.

Adding a Gasoline Stabilizer to Extend Fuel Storage Life

When adding a gasoline stabilizer, fill the fuel tank with fresh gasoline. If only partially filled, air in the tank will promote fuel deterioration during storage. If you keep a container of gasoline for refueling, be sure that it contains only fresh gasoline.

1. Add gasoline stabilizer following the manufacturer's instructions.
2. After adding a gasoline stabilizer, run the engine outdoors for 10 minutes to be sure that treated gasoline has replaced the untreated gasoline in the carburetor.
3. Stop the engine.

Standard idle speed: 1,400 \pm 200 / -150 rpm

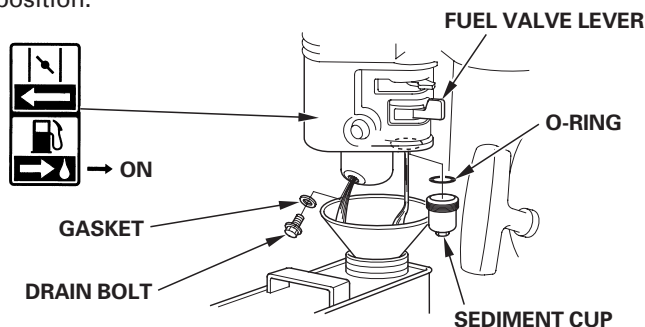
Draining the Fuel Tank and Carburetor

⚠ WARNING

Gasoline is highly flammable and explosive, and you can be burned or seriously injured when handling fuel.

- Stop engine and keep heat, sparks, and flame away.
- Handle fuel only outdoors.
- Wipe up spills immediately.

1. Place an approved gasoline container below the carburetor, and use a funnel to avoid spilling fuel.
2. Remove the carburetor drain bolt and gasket. Remove the sediment cup and O-ring, then move the fuel valve lever to the ON position.

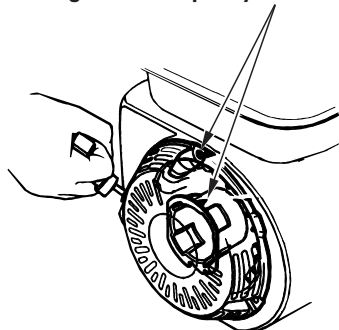


3. After all the fuel has drained into the container, reinstall the drain bolt, gasket, sediment cup and O-ring. Tighten the drain bolt and sediment cup securely.

Engine Oil

1. Change the engine oil (see page 9).
2. Remove the spark plug (see page 12).
3. Pour a tablespoon 5 – 10 cm³ (5 – 10 cc) of clean engine oil into the cylinder.
4. Pull the starter rope several times to distribute the oil in the cylinder.
5. Reinstall the spark plug.
6. Pull the starter rope slowly until resistance is felt and the notch on the starter pulley aligns with the hole at the top of the recoil starter cover. This will close the valves so moisture cannot enter the engine cylinder. Return the starter rope gently.

Align notch on pulley with hole at top of cover.



Storage Precautions

If your engine will be stored with gasoline in the fuel tank and carburetor, it is important to reduce the hazard of gasoline vapor ignition. Select a well-ventilated storage area away from any appliance that operates with a flame, such as a furnace, water heater, or clothes dryer. Also avoid any area with a spark-producing electric motor, or where power tools are operated.

If possible, avoid storage areas with high humidity, because that promotes rust and corrosion.

Keep the engine level in storage. Tilting can cause fuel or oil leakage.

With the engine and exhaust system cool, cover the engine to keep out dust. A hot engine and exhaust system can ignite or melt some materials. Do not use sheet plastic as a dust cover. A nonporous cover will trap moisture around the engine, promoting rust and corrosion.

If equipped with a battery for electric starter types, recharge the battery once a month while the engine is in storage. This will help to extend the service life of the battery.

Removal from Storage

Check your engine as described in the *BEFORE OPERATION CHECKS* section of this manual (see page 3).

If the fuel was drained during storage preparation, fill the tank with fresh gasoline. If you keep a container of gasoline for refueling, be sure it contains only fresh gasoline. Gasoline oxidizes and deteriorates over time, causing hard starting.

If the cylinder was coated with oil during storage preparation, the engine will smoke briefly at startup. This is normal.

TRANSPORTING

Keep the engine level when transporting to reduce the possibility of fuel leakage. Turn the fuel valve to the OFF position (see page 5).

TAKING CARE OF UNEXPECTED PROBLEMS

ENGINE WILL NOT START	Possible Cause	Correction
1. Electric starting (applicable types): Check battery and fuse.	Battery discharged.	Recharge battery.
	Fuse burnt out.	Replace fuse (p. 15).
2. Check control positions.	Fuel valve OFF.	Move lever to ON position.
	Choke open.	Move lever to CLOSED position unless the engine is warm.
	Engine switch OFF.	Turn engine switch to ON position.
3. Check engine oil level.	Engine oil level low (Oil Alert models).	Fill with the recommended oil to the proper level (p. 9).
4. Check fuel.	Out of fuel.	Refuel (p. 8).
	Bad fuel; engine stored without treating or draining gasoline, or refueled with bad gasoline.	Drain fuel tank and carburetor (p. 14). Refuel with fresh gasoline (p. 8).
5. Remove and inspect spark plug.	Spark plug faulty, fouled, or improperly gapped.	Gap or replace spark plug (p. 12).
	Spark plug wet with fuel (flooded engine).	Dry and reinstall spark plug. Start engine with throttle lever in MAX. position.
6. Take engine to an authorized Honda servicing dealer, or refer to shop manual.	Fuel filter restricted, carburetor malfunction, ignition malfunction, valves stuck, etc.	Replace or repair faulty components as necessary.

ENGINE LACKS POWER	Possible Cause	Correction
1. Check air filter.	Filter element(s) restricted.	Clean or replace filter element(s) (p. 11 – 12).
2. Check fuel.	Bad fuel; engine stored without treating or draining gasoline, or refueled with bad gasoline.	Drain fuel tank and carburetor (p. 14). Refuel with fresh gasoline (p. 8).
3. Take engine to an authorized Honda servicing dealer, or refer to shop manual.	Fuel filter restricted, carburetor malfunction, ignition malfunction, valves stuck, etc.	Replace or repair faulty components as necessary.

FUSE REPLACEMENT (applicable types)

The electric starter relay circuit and battery charging circuit are protected by a fuse. If the fuse burns out, the electric starter will not operate. The engine can be started manually if the fuse burns out, but running the engine will not charge the battery.

1. Remove the 6 × 12 mm screw from the rear cover of the engine switch box.
2. Remove the fuse cover, then pull out and inspect the fuse.

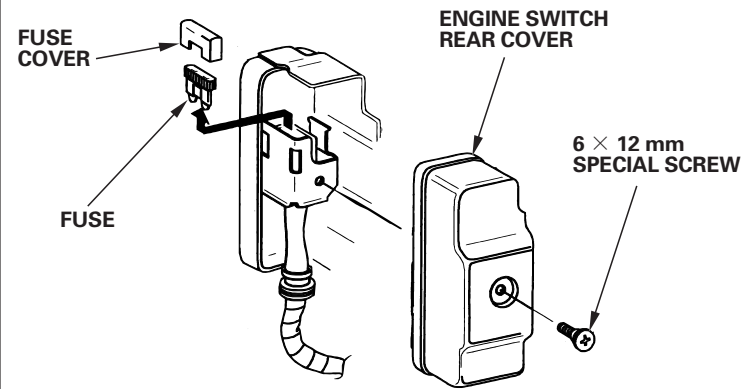
If the fuse is burnt out, discard the burnt-out fuse. Install a new fuse with the same rating as the one that was removed, and reinstall the cover.

If you have questions regarding the rating of the original fuse, contact your servicing Honda engine dealer.

NOTICE

Never use a fuse with a rating greater than the one originally equipped with the engine. Serious damage to the electrical system or a fire could result.

3. Reinstall the rear cover. Install the 6 × 12 mm screw and tighten it securely.



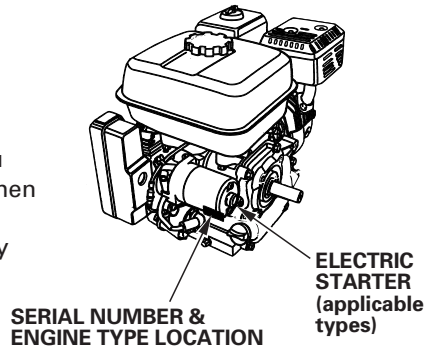
Frequent fuse failure usually indicates a short circuit or an overload in the electrical system. If the fuse burns out frequently, take the engine to a servicing Honda dealer for repair.

TECHNICAL & CONSUMER INFORMATION

TECHNICAL INFORMATION

Serial Number Location

Record the engine serial number, type and purchase date in the space below. You will need this information when ordering parts and when making technical or warranty inquiries.



Engine serial number: _____

Engine type: _____

Date Purchased: ____ / ____ / ____

Battery Connections for Electric Starter (applicable types)

Use a 12-volt battery with an ampere-hour rating of at least 18 Ah.

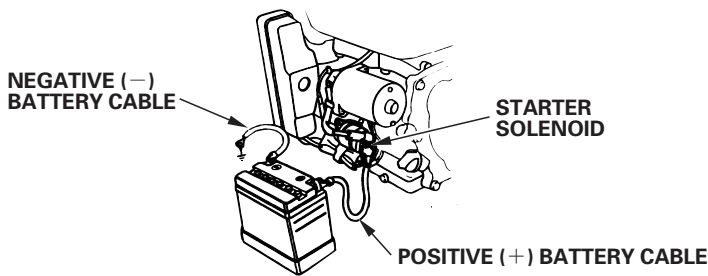
Be careful not to connect the battery in reverse polarity, as this will short circuit the battery charging system. Always connect the positive (+) battery cable to the battery terminal before connecting the negative (-) battery cable, so your tools cannot cause a short circuit if they touch a grounded part while tightening the positive (+) battery cable end.

⚠ WARNING

A battery can explode if you do not follow the correct procedure, seriously injuring anyone nearby.

Keep all sparks, open flames, and smoking materials away from the battery.

1. Connect the battery positive (+) cable to the starter solenoid terminal as shown.
2. Connect the battery negative (-) cable to an engine mounting bolt, frame bolt, or other good engine ground connection.
3. Connect the battery positive (+) cable to the battery positive (+) terminal as shown.
4. Connect the battery negative (-) cable to the battery negative (-) terminal as shown.
5. Coat the terminals and cable ends with grease.

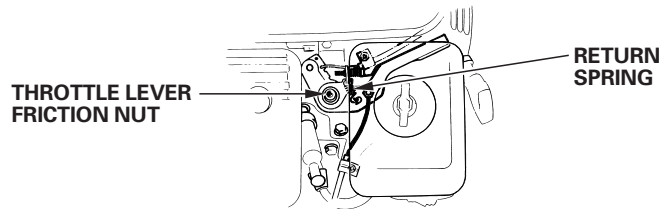


Remote Control Linkage

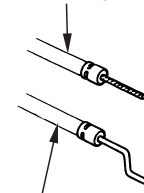
The throttle and choke control levers are provided with holes for optional cable attachment. The following illustrations show installation examples for a solid wire cable and for a flexible, braided wire cable. If using a flexible, braided wire cable, add a return spring as shown.

It is necessary to loosen the throttle lever friction nut when operating the throttle with a remote-mounted control.

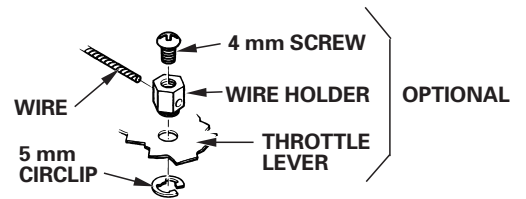
REMOTE THROTTLE LINKAGE



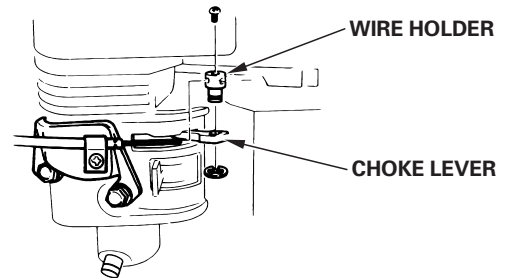
Flexible wire core mounting



Solid wire core mounting



REMOTE CHOKE LINKAGE



Carburetor Modifications for High Altitude Operation

At high altitude, the standard carburetor air-fuel mixture will be too rich. Performance will decrease, and fuel consumption will increase. A very rich mixture will also foul the spark plug and cause hard starting. Operation at an altitude that differs from that at which this engine was certified, for extended periods of time, may increase emissions.

High altitude performance can be improved by specific modifications to the carburetor. If you always operate your engine at altitudes above 1,500 meters (5,000 feet), have your servicing dealer perform this carburetor modification. This engine, when operated at high altitude with the carburetor modifications for high altitude use, will meet each emission standard throughout its useful life.

Even with carburetor modification, engine horsepower will decrease about 3.5% for each 300-meter (1,000-foot) increase in altitude. The effect of altitude on horsepower will be greater than this if no carburetor modification is made.

NOTICE

When the carburetor has been modified for high altitude operation, the air-fuel mixture will be too lean for low altitude use. Operation at altitudes below 1,500 meters (5,000 feet) with a modified carburetor may cause the engine to overheat and result in serious engine damage. For use at low altitudes, have your servicing dealer return the carburetor to original factory specifications.

Oxygenated Fuels

Some conventional gasolines are being blended with alcohol or an ether compound. These gasolines are collectively referred to as oxygenated fuels. To meet clean air standards, some areas of the United States and Canada use oxygenated fuels to help reduce emissions.

If you use oxygenated fuel, be sure it is unleaded and meets the minimum octane rating requirements.

Before using an oxygenated fuel, try to confirm the fuel's contents. Some states/provinces require this information to be posted on the pump.

The following are the EPA approved percentages of oxygenates:

ETHANOL — (ethyl or grain alcohol) 10% by volume
You may use gasoline containing up to 10% ethanol by volume. Gasoline containing ethanol may be marketed under the name Gasohol.

MTBE — (methyl tertiary butyl ether) 15% by volume
You may use gasoline containing up to 15% MTBE by volume.

METHANOL — (methyl or wood alcohol) 5% by volume
You may use gasoline containing up to 5% methanol by volume as long as it also contains cosolvents and corrosion inhibitors to protect the fuel system. Gasoline containing more than 5% methanol by volume may cause starting and/or performance problems. It may also damage metal, rubber, and plastic parts of your fuel system.

If you notice any undesirable operating symptoms, try another service station or switch to another brand of gasoline. Fuel system damage or performance problems resulting from the use of an oxygenated fuel containing more than the percentages of oxygenates mentioned above are not covered under the *Distributor's Limited Warranty*.

Emission Control System Information

Source of Emissions

The combustion process produces carbon monoxide, oxides of nitrogen, and hydrocarbons. Control of hydrocarbons and oxides of nitrogen is very important because, under certain conditions, they react to form photochemical smog when subjected to sunlight. Carbon monoxide does not react in the same way, but it is toxic.

Honda utilizes lean carburetor settings and other systems to reduce the emissions of carbon monoxide, oxides of nitrogen, and hydrocarbons.

The U.S., California Clean Air Acts and Environment Canada
EPA, California and Canadian regulations require all manufacturers to furnish written instructions describing the operation and maintenance of emission control systems.

The following instructions and procedures must be followed in order to keep the emissions from your Honda engine within the emission standards.

Tampering and Altering

Tampering with or altering the emission control system may increase emissions beyond the legal limit. Among those acts that constitute tampering are:

- Removal or alteration of any part of the intake, fuel, or exhaust systems.
- Altering or defeating the governor linkage or speed-adjusting mechanism to cause the engine to operate outside its design parameters.

Problems That May Affect Emissions

If you are aware of any of the following symptoms, have your engine inspected and repaired by your servicing dealer.

- Hard starting or stalling after starting.
- Rough idle.
- Misfiring or backfiring under load.
- Afterburning (backfiring).
- Black exhaust smoke or high fuel consumption.

Replacement Parts

The emission control systems on your Honda engine were designed, built, and certified to conform with EPA, California and Canadian emission regulations. We recommend the use of genuine Honda parts whenever you have maintenance done. These original-design replacement parts are manufactured to the same standards as the original parts, so you can be confident of their performance. The use of replacement parts that are not of the original design and quality may impair the effectiveness of your emission control system.

A manufacturer of an aftermarket part assumes the responsibility that the part will not adversely affect emission performance. The manufacturer or rebuilder of the part must certify that use of the part will not result in a failure of the engine to comply with emission regulations.

Maintenance

Follow the maintenance schedule on page 7. Remember that this schedule is based on the assumption that your machine will be used for its designed purpose. Sustained high-load or high-temperature operation, or use in unusually wet or dusty conditions, will require more frequent service.

Air Index

An Air Index Information hang tag/label is applied to engines certified to an emission durability time period in accordance with the requirements of the California Air Resources Board.

The bar graph is intended to provide you, our customer, the ability to compare the emissions performance of available engines. The lower the Air Index, the less pollution.

The durability description is intended to provide you with information relating the engine's emission durability period. The descriptive term indicates the useful life period for the engine's emission control system. See your *Emission Control System Warranty* for additional information.

Descriptive Term	Applicable to Emissions Durability Period
Moderate	50 hours [0–65 cm ³ (0–65 cc)] 125 hours [greater than 65 cm ³ (65 cc)]
Intermediate	125 hours [0–65 cm ³ (0–65 cc)] 250 hours [greater than 65 cm ³ (65 cc)]
Extended	300 hours [0–65 cm ³ (0–65 cc)] 500 hours [greater than 65 cm ³ (65 cc)]

The Air Index Information hang tag/label must remain on the engine until it is sold. Remove the hang tag before operating the engine.

Specifications

GX120 (PTO shaft type S)

Length × Width × Height	297 × 341 × 318 mm (11.7 × 13.4 × 12.5 in)
Dry weight	13.0 kg (28.7 lbs)
Engine type	4-stroke, overhead valve, single cylinder
Displacement [Bore × Stroke]	119 cm ³ (7.3 cu-in) [60 × 42 mm (2.4 × 1.7 in)]
Max. output	2.9 kW (4.0 PS, 4.0 bhp) at 3,600 rpm
Max. torque	7.4 N·m (0.75 kgf·m, 5.4 lbf·ft) at 2,500 rpm
Engine oil capacity	0.60 ℓ (0.63 US qt, 0.53 Imp qt)
Fuel tank capacity	2.5 ℓ (0.66 US gal, 0.55 Imp gal)
Fuel consumption	313 g/kWh (230 g/PSH, 0.51 lb/hph)
Cooling system	Forced air
Ignition system	Transistorized magneto
PTO shaft rotation	Counterclockwise

GX160 (PTO shaft type S)

Length × Width × Height	304 × 362 × 335 mm (12.0 × 14.3 × 13.2 in)
Dry weight	15.0 kg (33.1 lbs)
Engine type	4-stroke, overhead valve, single cylinder
Displacement [Bore × Stroke]	163 cm ³ (9.9 cu-in) [68 × 45 mm (2.7 × 1.8 in)]
Max. output	4.0 kW (5.5 PS, 5.5 bhp) at 3,600 rpm
Max. torque	10.8 N·m (1.1 kgf·m, 8.0 lbf·ft) at 2,500 rpm
Engine oil capacity	0.60 ℓ (0.63 US qt, 0.53 Imp qt)
Fuel tank capacity	3.6 ℓ (0.95 US gal, 0.79 Imp gal)
Fuel consumption	313 g/kWh (230 g/PSH, 0.51 lb/hph)
Cooling system	Forced air
Ignition system	Transistorized magneto
PTO shaft rotation	Counterclockwise

GX200 (PTO shaft type S)

Length × Width × Height	313 × 376 × 335 mm (12.3 × 14.8 × 13.2 in)
Dry weight	16.0 kg (35.3 lbs)
Engine type	4-stroke, overhead valve, single cylinder
Displacement [Bore × Stroke]	196 cm ³ (12.0 cu-in) [68 × 54 mm (2.7 × 2.1 in)]
Max. output	4.8 kW (6.5 PS, 6.5 bhp) at 3,600 rpm
Max. torque	13.2 N·m (1.35 kgf·m, 9.76 lbf·ft) at 2,500 rpm
Engine oil capacity	0.60 ℓ (0.63 US qt, 0.53 Imp qt)
Fuel tank capacity	3.6 ℓ (0.95 US gal, 0.79 Imp gal)
Fuel consumption	313 g/kWh (230 g/PSH, 0.51 lb/hph)
Cooling system	Forced air
Ignition system	Transistorized magneto
PTO shaft rotation	Counterclockwise

Tuneup Specifications GX120/160/200

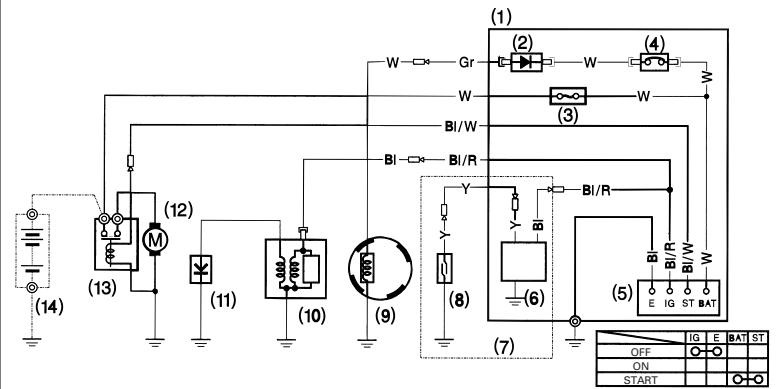
ITEM	SPECIFICATION	MAINTENANCE
Spark plug gap	0.70–0.80 mm (0.028–0.031 in)	Refer to page: 12
Idle speed	1,400 ⁺²⁰⁰ / ₋₁₅₀ rpm	Refer to page: 13
Valve clearance (cold)	IN: 0.15 ± 0.02 mm EX: 0.20 ± 0.02 mm	See your authorized Honda dealer
Other specifications	No other adjustments needed.	

Quick Reference Information

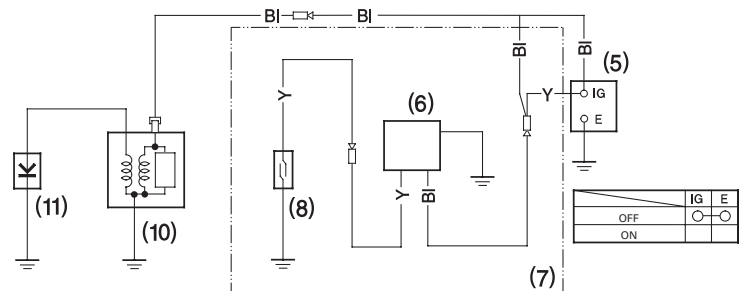
Fuel	Unleaded gasoline (Refer to page 8)	
	U.S.	Pump octane rating 86 or higher
	Except U.S.	Research octane rating 91 or higher Pump octane rating 86 or higher
Engine oil	SAE 10W-30, API SJ or SL, for general use. Refer to page 8.	
Reduction case oil	Same oil to engine oil, see above (applicable types).	
Spark plug	BPR6ES (NGK) W20EPR-U (DENSO)	
Maintenance	Before each use: <ul style="list-style-type: none"> • Check engine oil level. Refer to page 9. • Check reduction case oil (applicable types). Refer to page 9 – 10. • Check air filter. Refer to page 10. 	
	First 20 hours: <ul style="list-style-type: none"> • Change engine oil. Refer to page 9. • Change reduction case oil (applicable types). Refer to page 10. 	
	Subsequent: <ul style="list-style-type: none"> • Refer to the maintenance schedule on page 7. 	

Wiring Diagrams

With Oil Alert® and Electric Starter



With Oil Alert® and Without Electric Starter



- | | |
|------------------------------|-----------------------|
| (1) CONTROL BOX | (8) OIL LEVEL SWITCH |
| (2) RECTIFIER | (9) CHARGING COIL |
| (3) FUSE | (10) IGNITION COIL |
| (4) CIRCUIT BREAKER | (11) SPARK PLUG |
| (5) ENGINE SWITCH | (12) STARTER MOTOR |
| (6) OIL ALERT UNIT | (13) STARTER SOLENOID |
| (7) Type with Oil Alert unit | (14) BATTERY (12 V) |

BI	Black	Br	Brown
Y	Yellow	O	Orange
Bu	Blue	Lb	Light blue
G	Green	Lg	Light green
R	Red	P	Pink
W	White	Gr	Gray

CONSUMER INFORMATION

Distributor/Dealer Locator Information

United States, Puerto Rico, and U.S. Virgin Islands:

Call (800) 426-7701

or visit our website: www.honda-engines.com

Canada:

Call (888) 9HONDA9

or visit our website: www.honda.ca

For European Area:

visit our website: <http://www.honda-engines-eu.com>

Customer Service Information

Servicing dealership personnel are trained professionals. They should be able to answer any question you may have. If you encounter a problem that your dealer does not solve to your satisfaction, please discuss it with the dealership's management. The Service Manager, General Manager, or Owner can help. Almost all problems are solved in this way.

United States, Puerto Rico, and U.S. Virgin Islands:

If you are dissatisfied with the decision made by the dealership's management, contact the Honda Regional Engine Distributor for your area.

If you are still dissatisfied after speaking with the Regional Engine Distributor, you may contact the Honda Office as shown.

All Other Areas:

If you are dissatisfied with the decision made by the dealership's management, contact the Honda Office as shown.

《Honda's Office》

When you write or call, please provide this information:

- Equipment manufacturer's name and model number that the engine is mounted on
- Engine model, serial number, and type (see page 16)
- Name of dealer who sold the engine to you
- Name, address, and contact person of the dealer who services your engine
- Date of purchase
- Your name, address and telephone number
- A detailed description of the problem

United States, Puerto Rico, and U.S. Virgin Islands:

American Honda Motor Co., Inc.

Power Equipment Division
Customer Relations Office
4900 Marconi Drive
Alpharetta, GA 30005-8847

Or telephone: (770) 497-6400, 8:30 am - 8:00 pm EST

Canada:

Honda Canada, Inc.

715 Milner Avenue
Toronto, ON
M1B 2K8

Telephone: (888) 9HONDA9
(888) 946-6329

Toll free

English: (416) 299-3400

Local Toronto dialing area

French: (416) 287-4776

Local Toronto dialing area

Facsimile: (877) 939-0909

Toll free

(416) 287-4776

Local Toronto dialing area

Australia:

Honda Australia Motorcycle and Power Equipment Pty. Ltd.

1954 – 1956 Hume Highway Campbellfield Victoria 3061

Telephone: (03) 9270 1111

Facsimile: (03) 9270 1133

For European Area:

Honda Europe NV.

European Engine Center

<http://www.honda-engines-eu.com>

All Other Areas:

Please contact the Honda distributor in your area for assistance.

HONDA
The Power of Dreams

INTRODUCTION

Nous vous remercions d'avoir porté votre choix sur un moteur Honda. Nous désirons vous aider à faire le meilleur usage de votre nouveau moteur et à l'utiliser en sécurité. Vous trouverez dans ce manuel des informations sur la manière d'y parvenir; veuillez le lire attentivement avant d'utiliser le moteur. En cas de problème ou pour toute question sur le moteur, consultez un concessionnaire Honda agréé.

Toutes les informations de cette publication sont basées sur les dernières informations sur le produit disponibles au moment de l'impression. Honda Motor Co., Ltd. se réserve le droit d'apporter des modifications à tout moment sans avertissement et sans obligation de sa part. Aucune partie de ce document ne peut être reproduite sans autorisation écrite.

Ce manuel doit être considéré comme faisant partie du moteur et l'accompagner en cas de revente.


Pour de plus amples informations sur le démarrage, l'arrêt, l'utilisation et les réglages du moteur ou pour des instructions sur tout entretien spécial, consultez les instructions accompagnant l'équipement commandé par ce moteur.

Etats-Unis, Puerto Rico et Iles vierges américaines:

Nous vous conseillons de lire le bulletin de garantie afin de bien comprendre l'étendue de la garantie et vos responsabilités de propriété. Le bulletin de garantie est un document séparé que vous avez dû en principe recevoir de votre concessionnaire.

MESSAGES DE SECURITE

Votre sécurité et celle des autres sont très importantes. Vous trouverez des messages de sécurité importants dans ce manuel et sur le moteur. Veuillez les lire attentivement.

Les messages de sécurité vous avertissent de risques potentiels de blessures pour vous et les autres. Chaque message de sécurité est précédé d'un symbole de mise en garde  et de l'une des trois mentions DANGER, ATTENTION ou PRECAUTION.

Ces mots-indicateurs signifient:

 **DANGER**

Vous SEREZ MORTELLEMENT ou GRIEUREMENT BLESSE si vous ne suivez pas ces instructions.

 **ATTENTION**

Vous POUVEZ être MORTELLEMENT ou GRIEUREMENT BLESSE si vous ne suivez pas ces instructions.

 **PRECAUTION**

Vous POUVEZ être BLESSE si vous ne suivez pas ces instructions.

Chaque message vous indique quel est le danger, ce qui peut arriver et ce que vous pouvez faire pour éviter ou réduire les blessures.

MESSAGES DE PREVENTION DES DOMMAGES

D'autres messages importants sont précédés du mot AVIS.

Cette mention signifie:

AVIS

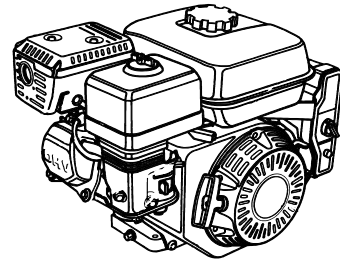
Votre moteur ou d'autres biens peuvent être endommagés si vous ne suivez pas ces instructions.

L'objet de ces messages est de vous aider à ne pas causer de dommages au moteur, à d'autres biens ou à l'environnement.

HONDA

MANUEL DE L'UTILISATEUR

GX120 · GX160 · GX200



FRANÇAIS



ATTENTION:



L'échappement du moteur contient des substances chimiques déclarées responsables de cancers, de malformations congénitales ou d'autres anomalies de la reproduction par l'Etat de Californie.

SOMMAIRE

INTRODUCTION	1	PARE-ETINCELLES	13
MESSAGES DE SECURITE	1	REGIME DE RALENTI	13
INFORMATIONS DE SECURITE	2	CONSEILS ET SUGGESTIONS UTILES	13
EMPLACEMENT DE L'ETIQUETTE DE SECURITE.....	2	REMISAGE DU MOTEUR	13
EMPLACEMENT DES PIECES ET COMMANDES	2	TRANSPORT	14
PARTICULARITES.....	3	EN CAS DE PROBLEME INATTENDU.....	15
CONTROLES AVANT L'UTILISATION	3	REMPACEMENT DES FUSIBLES	15
UTILISATION	4	INFORMATIONS TECHNIQUES ET DU CONSOMMATEUR	16
CONSIGNES DE SECURITE D'UTILISATION	4	Emplacement des numéros de série	16
DEMARRAGE DU MOTEUR	4	Raccordements de la batterie pour le démarreur électrique.....	16
ARRET DU MOTEUR	5	Tringlerie de commande à distance	16
REGLAGE DU REGIME MOTEUR	6	Modifications du carburateur pour une utilisation à haute altitude.....	16
ENTRETIEN DU MOTEUR.....	7	Carburants oxygénés	17
L'IMPORTANT DE L'ENTRETIEN	7	Informations sur le système antipollution.....	17
SECURITE D'ENTRETIEN	7	Indice atmosphérique	18
CONSIGNES DE SECURITE	7	Caractéristiques	18
PROGRAMME D'ENTRETIEN.....	7	Caractéristiques de mise au point	18
PLEIN DE CARBURANT	8	Informations de référence rapide	19
HUILE MOTEUR	8	Schémas de câblage	19
Huile recommandée	8	INFORMATION DU CONSOMMATEUR.....	20
Vérification du niveau d'huile ..	9	Informations sur le localisateur de distributeurs/ concessionnaires.....	20
Renouvellement d'huile	9	Informations d'entretien pour le client	20
HUILE DU CARTER DE REDUCTEUR ..	9		
Huile recommandée	9		
Vérification du niveau d'huile ..	9		
Renouvellement d'huile	10		
FILTRE A AIR	10		
Contrôle	10		
Nettoyage	11		
COUPELLE DE DECANTATION ..	12		
BOUGIE	12		

INFORMATIONS DE SECURITE

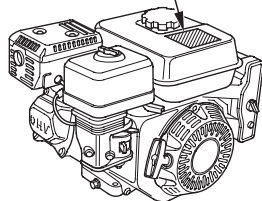
- Comprenez bien le fonctionnement de toutes les commandes et apprenez comment arrêter le moteur rapidement en cas d'urgence. Veillez à ce que l'opérateur reçoive des instructions adéquates avant l'utilisation de l'équipement.
- Ne pas autoriser des enfants à utiliser le moteur. Eloigner les enfants et les animaux de la zone d'utilisation.
- Les gaz d'échappement du moteur contiennent du monoxyde de carbone toxique. Ne pas faire tourner le moteur sans une aération adéquate et ne jamais l'utiliser à l'intérieur.
- Le moteur et les gaz d'échappement deviennent très chauds pendant le fonctionnement. Garder le moteur à au moins 1 mètre des bâtiments et des autres équipements pendant l'utilisation. Ne pas approcher de matières inflammables et ne rien placer sur le moteur pendant son fonctionnement.

EMPLACEMENT DE L'ETIQUETTE DE SECURITE

Cette étiquette met en garde contre les risques potentiels de blessures graves. La lire attentivement. Si l'étiquette se décolle ou devient illisible, s'adresser au concessionnaire Honda pour son remplacement.



Pour les types pour le Canada seulement:
Une étiquette en français est prévue sur le moteur.



L'essence est très inflammable et explosive. Arrêter le moteur et le laisser refroidir avant de faire le plein d'essence.

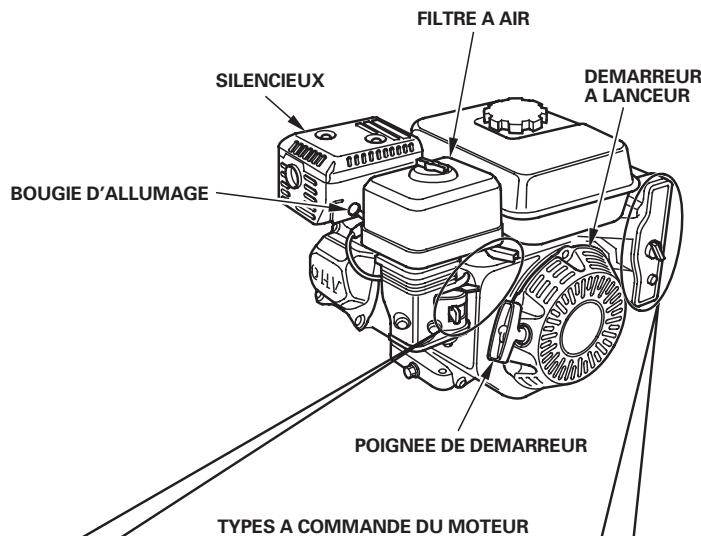
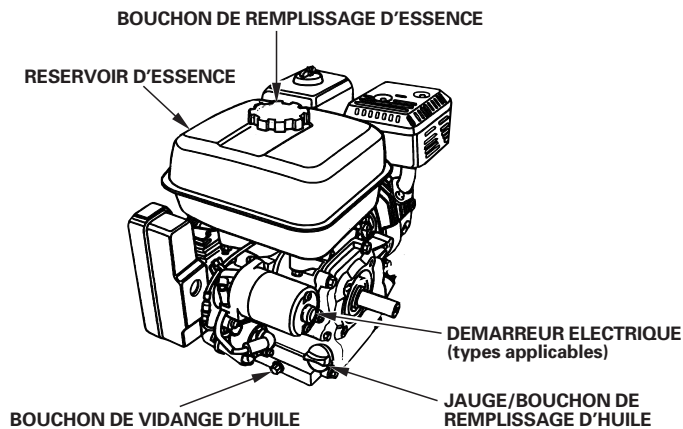


Le moteur dégage du monoxyde de carbone qui est un gaz toxique. Ne jamais le faire fonctionner dans un endroit clos.



Lire le manuel de l'utilisateur avant l'utilisation.

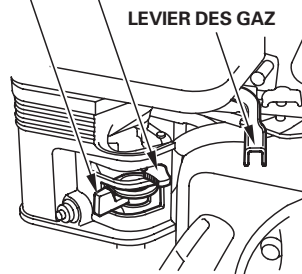
EMPLACEMENT DES PIECES ET COMMANDES



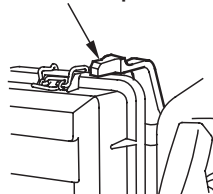
LEVIER DE ROBINET D'ESSENCE

LEVIER DE STARTER

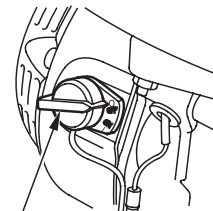
LEVIER DES GAZ



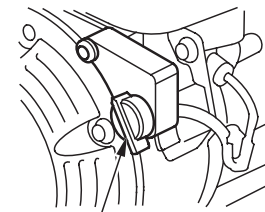
LEVIER DE STARTER (type de filtre à air à profil bas)



SAUF TYPES A DEMARREUR ELECTRIQUE

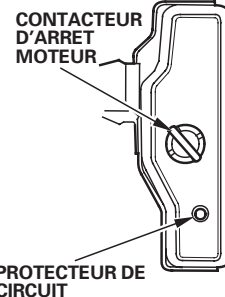


CONTACTEUR D'ARRET MOTEUR



CONTACTEUR D'ARRET MOTEUR

TYPES A DEMARREUR ELECTRIQUE



PARTICULARITES

SYSTEME OIL ALERT® (types applicables)

Le système Oil Alert® protège le moteur contre les dommages dus au manque d'huile dans le carter moteur. Avant que le niveau d'huile du carter moteur ne descende au-dessous du seuil de sécurité, le système Oil Alert® arrête automatiquement le moteur (l'interrupteur du moteur reste sur la position MARCHE).

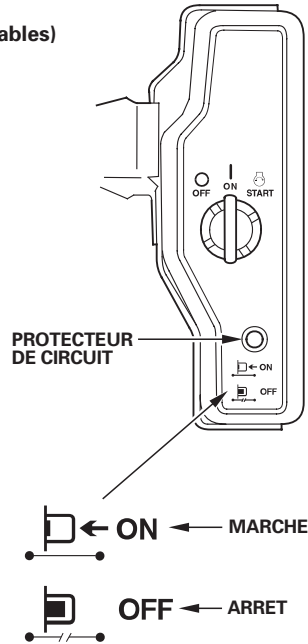
Si le moteur s'arrête et ne redémarre pas, vérifier le niveau d'huile du moteur (voir page 9) avant de rechercher l'origine du problème dans d'autres parties.

PROTECTEUR DE CIRCUIT (types applicables)

Le protecteur de circuit protège le circuit de charge de la batterie. Un court-circuit ou une batterie connectée avec une polarité inversée déclenche le protecteur de circuit.

L'indicateur vert à l'intérieur du protecteur de circuit sort pour indiquer que le circuit a été coupé. Dans un tel cas, rechercher la cause du problème et la corriger avant de réenclencher le protecteur de circuit.

Enfoncer le bouton du protecteur de circuit pour le réenclencher.



CONTROLES AVANT L'UTILISATION

LE MOTEUR EST-IL PRET A FONCTIONNER?

Pour la sécurité et la longévité de l'équipement, il est important de consacrer quelques instants à vérifier l'état du moteur avant l'utilisation. Corriger tout problème constaté ou confier cette opération au concessionnaire avant l'utilisation.

⚠ ATTENTION

Un entretien incorrect de ce moteur ou l'absence de correction d'un problème avant l'utilisation peut provoquer une anomalie susceptible d'entraîner des blessures graves ou mortelles.

Toujours effectuer les contrôles avant utilisation avant chaque utilisation et corriger tout problème.

Avant de commencer les contrôles avant l'utilisation, s'assurer que le moteur est à l'horizontale et que l'interrupteur du moteur se trouve sur la position ARRET.

Toujours vérifier les points suivants avant de mettre le moteur en marche:

Vérifier l'état général du moteur

1. Vérifier s'il n'y a pas de traces de fuites d'huile ou d'essence autour ou sous le moteur.
2. Enlever toute saleté ou débris excessifs, tout particulièrement autour du silencieux et du lanceur.
3. Vérifier s'il n'y a pas de signes de dommages.
4. S'assurer que tous les protecteurs et couvercles sont en place et que tous les écrous, boulons et vis sont serrés.

Vérifier le moteur

1. Vérifier le niveau de carburant (voir page 8). En démarrant avec un réservoir de carburant plein, on évitera ou réduira les interruptions de service pour faire le plein.
2. Vérifier le niveau d'huile du moteur (voir page 9). L'utilisation du moteur avec un niveau d'huile insuffisant peut provoquer des dommages au moteur.

Le système Oil Alert® (types applicables) arrête automatiquement le moteur avant que le niveau d'huile ne descende au-dessous du seuil de sécurité. Toutefois, pour éviter l'inconvénient d'un arrêt imprévu, toujours vérifier le niveau d'huile du moteur avant le démarrage.

3. Vérifier le niveau d'huile du carter de réducteur sur les types applicables (voir page 9). L'huile est essentielle au bon fonctionnement et à la longévité du carter de réducteur.
4. Vérifier l'élément de filtre à air (voir page 10). Un élément de filtre à air sale limite le passage d'air vers le carburateur, ce qui diminue les performances du moteur.
5. Vérifier l'équipement commandé par ce moteur.

Pour les précautions et procédures à observer avant le démarrage du moteur, consulter les instructions accompagnant l'équipement commandé par ce moteur.

UTILISATION

CONSIGNES DE SECURITE D'UTILISATION

Avant d'utiliser le moteur pour la première fois, lire la section *INFORMATIONS DE SECURITE* à la page 2 et la section *CONTROLES AVANT L'UTILISATION* à la page 3.

⚠ ATTENTION

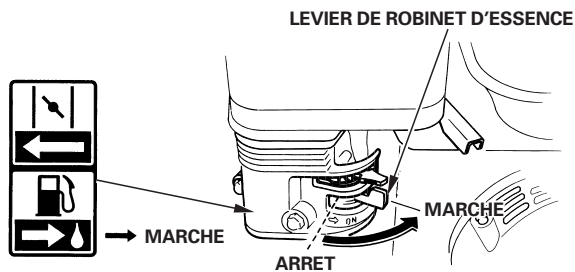
Le monoxyde de carbone est un gaz toxique. Il risque de provoquer des évanouissements et d'être mortel.

Eviter tout endroit et toute activité exposant au monoxyde de carbone.

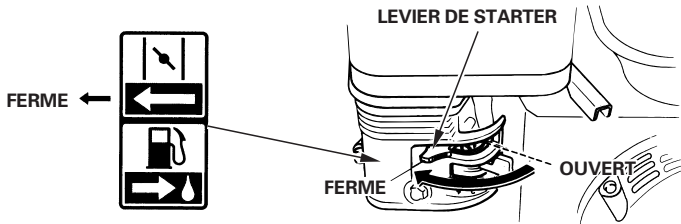
Pour les consignes de sécurité à observer au démarrage, lors de l'arrêt du moteur et pendant l'utilisation, consulter les instructions accompagnant l'équipement commandé par ce moteur.

DEMARRAGE DU MOTEUR

1. Placer le levier du robinet de carburant sur la position OUVERT.



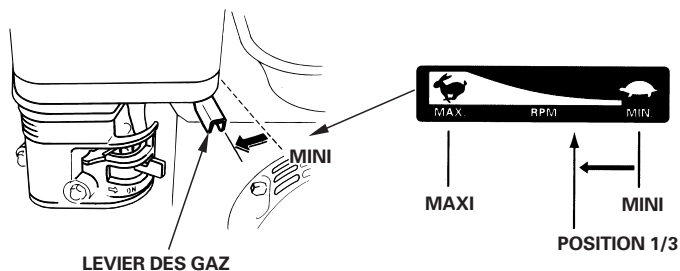
2. Pour mettre en marche un moteur froid, placer le levier de starter sur la position FERME.



Pour remettre en marche un moteur chaud, laisser le levier de starter sur la position OUVERT.

Certaines applications du moteur utilisent une commande à distance de starter plutôt que le levier de starter du moteur représenté ici. Consulter les instructions fournies par le fabricant de l'équipement.

3. Eloigner le levier des gaz de la position MIN. jusqu'à 1/3 environ de la position MAX.

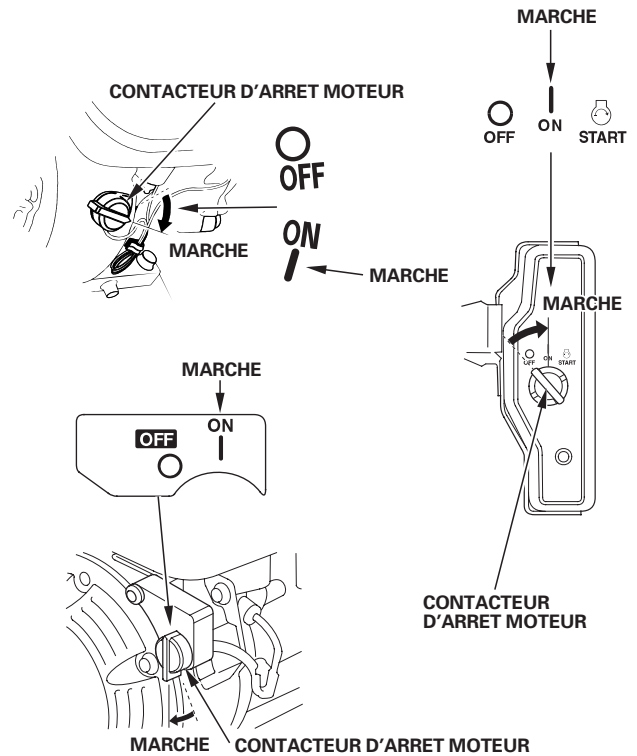


Certaines applications du moteur utilisent une commande à distance des gaz plutôt que le levier des gaz du moteur représenté ici. Consulter les instructions fournies par le fabricant de l'équipement.

4. Placer l'interrupteur du moteur sur la position MARCHÉ.

SAUF TYPES A DEMARREUR ELECTRIQUE

TYPES A DEMARREUR ELECTRIQUE

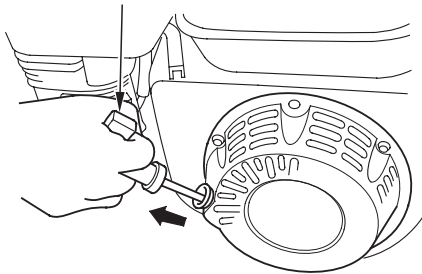


5. Actionner le démarreur.

LANCEUR:

Tirer doucement la poignée de lancement jusqu'à ce que l'on sente une résistance, puis la tirer d'un coup sec. Ramener doucement la poignée de lancement en arrière.

POIGNEE DE DEMARREUR



AVIS

Ne pas laisser la poignée de lancement revenir d'elle-même contre le moteur. Accompagner doucement son mouvement de retour pour ne pas risquer d'endommager le lanceur.

DEMARREUR ELECTRIQUE (types applicables):

Placer la clé sur la position DEMARRAGE et la maintenir sur cette position jusqu'à ce que le moteur démarre.

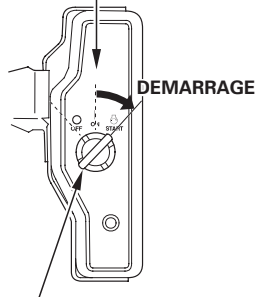
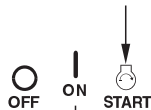
Si le moteur ne part pas dans les 5 secondes, relâcher la clé et attendre au moins 10 secondes avant d'actionner à nouveau le démarreur.

AVIS

Ne pas solliciter le démarreur pendant plus de 5 secondes d'affilée car ceci le ferait surchauffer et pourrait l'endommager.

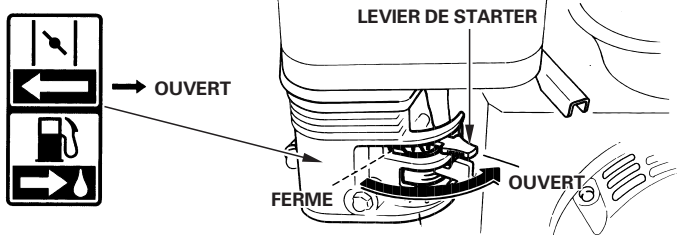
Lorsque le moteur démarre, relâcher la clé et la laisser revenir sur la position MARCHE.

DEMARRAGE



INTERRUPTEUR DU MOTEUR (types applicables)

6. Si l'on a placé le levier de starter sur la position FERME pour mettre le moteur en marche, le ramener progressivement sur la position OUVERT à mesure que le moteur chauffe.

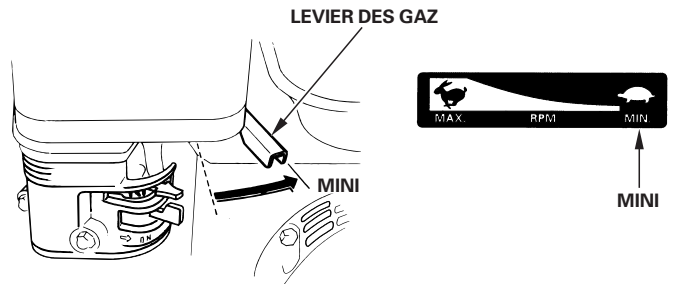


ARRET DU MOTEUR

Pour arrêter le moteur en cas d'urgence, placer simplement l'interrupteur du moteur sur la position ARRET. Dans des conditions normales, procéder comme il est indiqué ci-dessous. Consulter les instructions fournies par le fabricant de l'équipement.

1. Placer le levier de commande des gaz sur la position MIN.

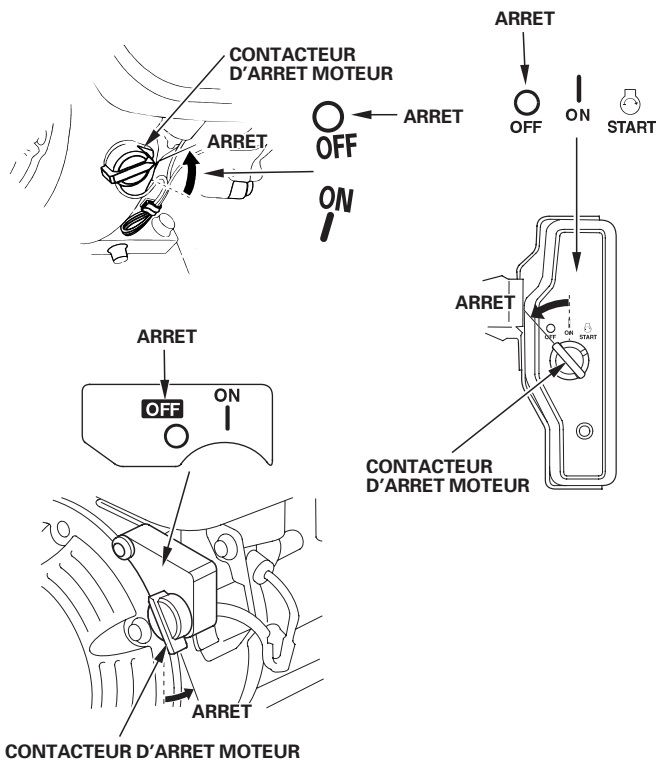
Certaines applications du moteur utilisent une commande à distance des gaz plutôt que le levier des gaz du moteur représenté ici.



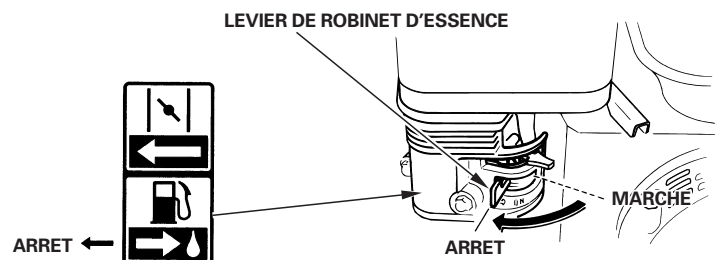
2. Placer l'interrupteur du moteur sur la position ARRET.

SAUF TYPES A DEMARREUR ELECTRIQUE

TYPES A DEMARREUR ELECTRIQUE



3. Placer le levier du robinet de carburant sur la position ARRET.

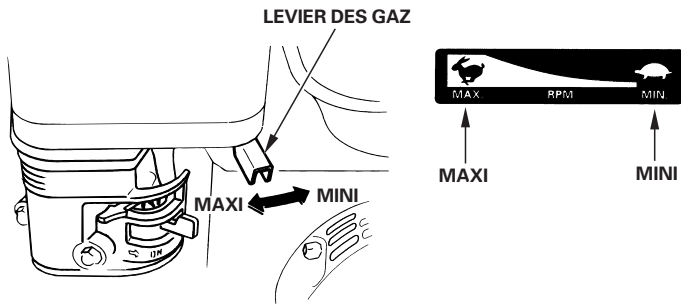


REGLAGE DU REGIME MOTEUR

Placer le levier des gaz sur la position correspondant au régime moteur désiré.

Certaines applications du moteur utilisent une commande à distance des gaz plutôt que le levier des gaz du moteur représenté ici. Consulter les instructions fournies par le fabricant de l'équipement.

Pour les recommandations de régime moteur, consulter les instructions accompagnant l'équipement commandé par ce moteur.



ENTRETIEN DU MOTEUR

L'IMPORTANCE DE L'ENTRETIEN

Un bon entretien est essentiel pour un fonctionnement sûr, économique et sans problème. Il contribue également à réduire la pollution.

⚠ ATTENTION

Un entretien incorrect ou l'absence de correction d'un problème avant l'utilisation peut provoquer une anomalie susceptible d'entraîner des blessures graves ou mortelles.

Toujours observer les recommandations et programmes de contrôle et d'entretien figurant dans ce manuel.

Pour permettre d'entretenir correctement le moteur, on trouvera aux pages suivantes un programme d'entretien, des procédures de contrôle de routine et des procédures d'entretien simples pouvant être effectuées avec des outils à main de base. D'autres opérations d'entretien plus difficiles ou demandant des outils spéciaux seront mieux exécutées par des professionnels et devront normalement être confiées à un technicien Honda ou à un autre mécanicien qualifié.

Le programme d'entretien s'applique à des conditions d'utilisation normales. Si l'on utilise le moteur dans des conditions sévères telles qu'un fonctionnement prolongé sous une charge élevée ou par haute température, ou dans des conditions anormalement humides ou poussiéreuses, demander au concessionnaire des recommandations pour des besoins et un usage particuliers.

L'entretien, le remplacement ou la réparation des dispositifs et systèmes antipollution peuvent être exécutés par toute entreprise ou technicien de réparation de moteurs utilisant des pièces "certifiées" aux normes EPA.

SECURITE D'ENTRETIEN

Certaines des consignes de sécurité les plus importantes sont indiquées ci-dessous. Il ne nous est toutefois pas possible de vous avertir de tous les dangers imaginables que vous pouvez courir en exécutant l'entretien. Vous êtes seul juge de décider si vous devez ou non effectuer un travail donné.

⚠ ATTENTION

En n'observant pas correctement les instructions et précautions d'entretien, on s'expose à de graves blessures ou à un danger de mort.

Toujours observer les procédures et précautions de ce manuel.

CONSIGNES DE SECURITE

- Avant de commencer un entretien ou une réparation, s'assurer que le moteur est arrêté. Ceci éliminera plusieurs risques potentiels:
 - **Empoisonnement par le monoxyde de carbone de l'échappement du moteur.**
 - **Brûlures par des pièces chaudes.**
Attendre que le moteur et le système d'échappement se soient refroidis avant de les toucher.
 - **Blessures par des pièces mobiles.**
Ne faire tourner le moteur que si cela est indiqué dans les instructions.
- Lire les instructions avant de commencer et s'assurer que l'on dispose de l'outillage et des compétences nécessaires pour effectuer le travail en sécurité.
- Pour diminuer les risques d'incendie ou d'explosion, être prudent lorsqu'on travaille à proximité de l'essence. Pour le nettoyage des pièces, utiliser uniquement un solvant ininflammable et non de l'essence. Ne pas approcher de cigarettes, étincelles ou flammes des pièces du système d'alimentation en carburant.

Ne pas oublier que c'est le concessionnaire Honda agréé qui connaît le mieux le moteur et qu'il est parfaitement outillé pour son entretien et sa réparation.

Pour la meilleure qualité et fiabilité, n'utiliser que des pièces Honda d'origine neuves ou leur équivalent pour la réparation et le remplacement.

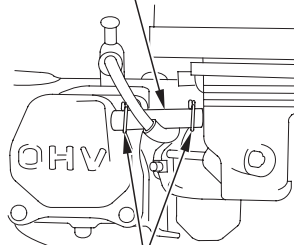
PROGRAMME D'ENTRETIEN

FREQUENCE D'ENTRETIEN PERIODIQUE (3) A effectuer après le nombre de mois ou d'heures d'utilisation indiqué en retenant l'intervalle le plus court des deux.	Chaque utilisation	Premier mois ou 20 h	Tous les 3 mois ou 50 h	Tous les 6 mois ou 100 h	Tous les ans ou 300 h	Voir page
Huile moteur	Vérifier le niveau	○				9
	Renouveler		○		○	9
Huile de carter de réducteur (types applicables)	Vérifier le niveau	○				9 – 10
	Renouveler		○		○	10
Filtre à air	Vérifier	○				10
	Nettoyer		○ (1)	○ * (1)		11 – 12
	Remplacer				○ * *	
Coupelle de décantation	Nettoyer			○		12
Bougie	Vérifier-régler			○		12
	Remplacer				○	
Pare-étincelles (types applicables)	Nettoyer			○		13
Régime de ralenti	Vérifier-régler				○ (2)	13
Jeu aux soupapes	Vérifier-régler				○ (2)	Manuel d'atelier
Chambre de combustion	Nettoyer	Après toutes les 500 h (2)				Manuel d'atelier
Réservoir de carburant et filtre à carburant	Nettoyer			○ (2)		Manuel d'atelier
Tuyau de carburant	Vérifier	Tous les 2 ans (Remplacer si nécessaire) (2)				Manuel d'atelier

- * • Carburateur à évent interne avec double élément seulement.
- Type cyclonique tous les 6 mois ou 150 heures.

TYPE A CARBURATEUR A EVENT INTERNE

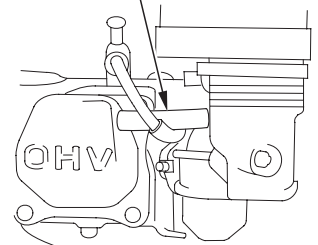
TUYAU RENIFLARD



CLIP DE TUYAU

TYPE STANDARD

TUYAU RENIFLARD



- * * • Ne remplacer que le type à élément en papier.
 - Type cyclonique tous les 2 ans ou 600 heures.
- (1) En cas d'utilisation dans des endroits poussiéreux, augmenter la fréquence d'entretien.
 - (2) Confier l'entretien de ces points au concessionnaire à moins que l'on ne dispose des outils appropriés et ne soit mécaniquement compétent. Pour les procédures d'entretien, voir le manuel d'atelier Honda.
 - (3) Pour une utilisation commerciale, consigner le nombre d'heures de service afin de déterminer la périodicité d'entretien appropriée.

L'inobservation de ce programme d'entretien peut entraîner des problèmes non couverts par la garantie.

PLEIN DE CARBURANT

Carburant recommandé

Essence sans plomb	
Etats-Unis	Indice d'octane pompe d'au moins 86
Sauf Etats-Unis	Indice d'octane recherche d'au moins 91
	Indice d'octane pompe d'au moins 86

Ce moteur est certifié pour fonctionner avec de l'essence sans plomb. L'essence sans plomb laisse moins de dépôts dans le moteur et sur la bougie et prolonge la durée de service du système d'échappement.

⚠ ATTENTION

L'essence est très inflammable et explosive et l'on peut se brûler ou se blesser grièvement en faisant le plein.

- Arrêter le moteur et ne pas autoriser de sources de chaleur, étincelles ou flammes à proximité.
- Ne faire le plein qu'à l'extérieur.
- Essuyer immédiatement tout carburant renversé.

AVIS

Le carburant peut endommager la peinture et certains types de plastiques. Veiller à ne pas renverser de carburant lorsqu'on remplit le réservoir. Les dommages causés par du carburant renversé ne sont pas couverts par la Garantie limitée du distributeur.

Ne jamais utiliser de l'essence ou un mélange d'huile/essence viciés ou contaminés. Empêcher la pénétration de saleté ou eau dans le réservoir de carburant.

Un léger "cogement d'allumage" ou "cliquetis" (bruit de coups métalliques) peut se produire occasionnellement lors d'une utilisation sous une lourde charge. Il n'y a pas lieu de s'en inquiéter.

Si le cogement d'allumage ou cliquetis se produit alors que le moteur tourne régulièrement sous une charge normale, changer de marque d'essence. Si le phénomène persiste, consulter un concessionnaire Honda agréé.

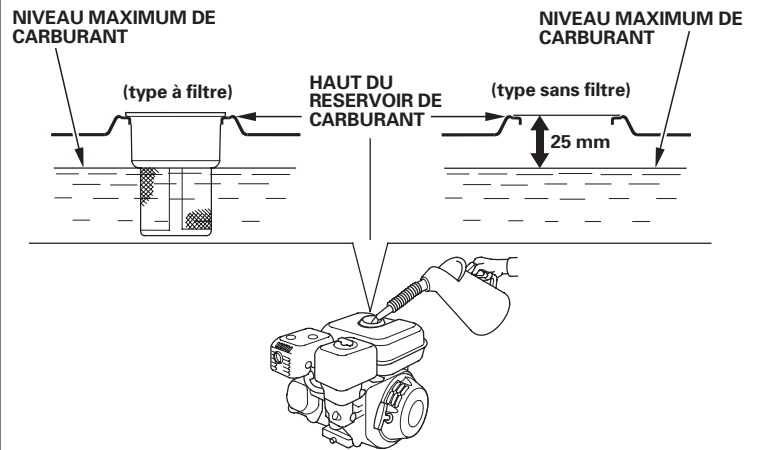
AVIS

L'utilisation du moteur avec un cogement d'allumage ou un cliquetis persistant peut l'endommager.

L'utilisation du moteur avec un cogement d'allumage ou un cliquetis persistant est considéré comme un mauvais usage, et la Garantie limitée du distributeur ne couvre pas les pièces endommagées par un mauvais usage.

1. Avec le moteur arrêté et sur une surface horizontale, retirer le bouchon du réservoir de carburant et vérifier le niveau de carburant. Si le niveau de carburant est bas, remplir le réservoir.

2. Faire le plein jusqu'au bas de la limite de niveau de carburant du réservoir. Ne pas trop remplir. Essuyer tout carburant renversé avant de mettre le moteur en marche.



Faire le plein dans un endroit bien aéré avant de mettre le moteur en marche. Si le moteur vient de tourner, le laisser se refroidir. Faire le plein avec précaution pour éviter de renverser du carburant. Ne pas remplir le réservoir de carburant complètement. Remplir le réservoir jusqu'à environ 25 mm du haut du réservoir pour permettre la dilatation du carburant. Dans certaines conditions d'utilisation, il peut être nécessaire de baisser le niveau du carburant. Après avoir fait le plein, resserrer le bouchon du réservoir de carburant à fond.

Ne jamais faire le plein à l'intérieur d'un bâtiment où des vapeurs d'essence pourraient atteindre des flammes ou des étincelles. Garder l'essence loin des veilleuses des appareils, barbecues, appareils électriques, outils électriques, etc.

Le carburant renversé ne fait pas seulement courir des risques d'incendie; il est également nuisible pour l'environnement. Essuyer immédiatement tout carburant renversé.

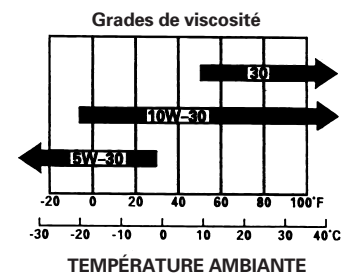
Pour les informations sur les carburants oxygénés, voir page 17.

HUILE MOTEUR

L'huile est un facteur déterminant pour la performance et la durée de service. Utiliser une huile automobile 4 temps détergente.

Huile recommandée

Utiliser une huile moteur 4 temps répondant ou dépassant les prescriptions pour la classification service API SJ, SL ou équivalente. Toujours vérifier l'étiquette de service API sur le bidon d'huile pour s'assurer qu'elle porte bien la mention SJ, SL ou équivalente.

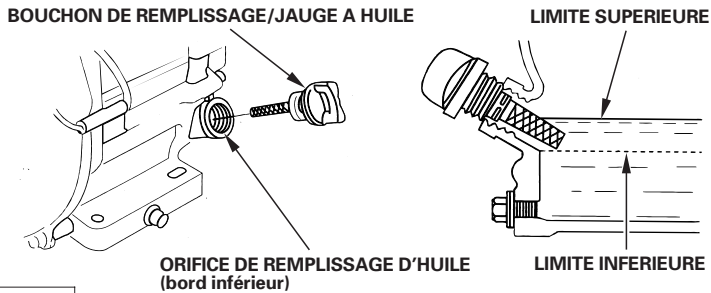


Une huile SAE 10W-30 est recommandée pour l'utilisation générale. Les autres viscosités indiquées dans le tableau peuvent être utilisées lorsque la température moyenne du lieu d'utilisation se trouve dans la plage indiquée.

Vérification du niveau d'huile

Vérifier le niveau d'huile du moteur avec le moteur arrêté et à l'horizontale.

1. Retirer la jauge/bouchon de remplissage d'huile et l'essuyer.
2. Introduire la jauge/bouchon de remplissage d'huile dans le goulot de remplissage d'huile comme sur la figure, sans la visser, puis la retirer pour vérifier le niveau d'huile.
3. Si le niveau d'huile est proche du repère de limite minimum de la jauge ou au-dessous, faire l'appoint d'huile recommandée (voir page 8) jusqu'au repère de limite maximum (bord inférieur de l'orifice de remplissage d'huile). Ne pas trop remplir.
4. Remettre la jauge/bouchon de remplissage d'huile en place.



AVIS

L'utilisation du moteur avec un niveau d'huile insuffisant peut provoquer des dommages au moteur.

Le système Oil Alert® (types applicables) arrête automatiquement le moteur avant que le niveau d'huile ne descende au-dessous du seuil de sécurité. Toutefois, pour éviter l'inconvénient d'un arrêt imprévu, toujours vérifier le niveau d'huile du moteur avant le démarrage.

Renouvellement d'huile

Vidanger l'huile usée alors que le moteur est chaud. La vidange s'effectue plus rapidement et plus complètement lorsque l'huile est chaude.

1. Placer un récipient approprié sous le moteur pour recueillir l'huile usée, puis retirer la jauge/bouchon de remplissage d'huile, le bouchon de vidange d'huile et la rondelle.
2. Vidanger complètement l'huile usée, puis remettre le bouchon de vidange d'huile en place avec une rondelle neuve et le serrer à fond.

Jeter l'huile moteur usée d'une manière compatible avec l'environnement. Nous conseillons de la porter dans un récipient fermé au centre de traitement local ou à une station service pour qu'elle soit traitée. Ne pas la jeter aux ordures ni la déverser dans la terre ou dans un égout.

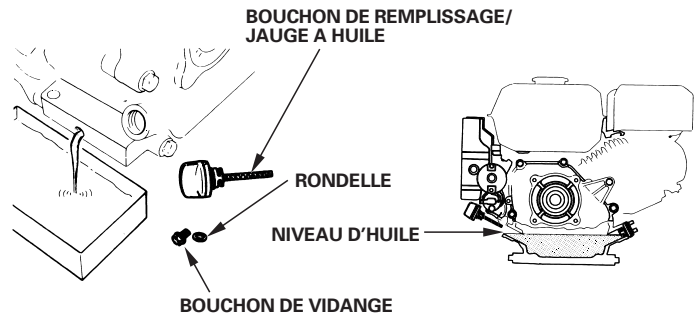
3. Avec le moteur à l'horizontale, verser l'huile recommandée jusqu'au repère de limite maximum (bord inférieur de l'orifice de remplissage d'huile) de la jauge (voir page 8).

AVIS

L'utilisation du moteur avec un niveau d'huile insuffisant peut provoquer des dommages au moteur.

Le système Oil Alert® (types applicables) arrête automatiquement le moteur avant que le niveau d'huile ne descende au-dessous du seuil de sécurité. Toutefois, pour éviter l'inconvénient d'un arrêt imprévu, remplir jusqu'à la limite maximum et vérifier le niveau régulièrement.

4. Reposer la jauge/bouchon de remplissage d'huile et la serrer à fond.



HUILE DU CARTER DE REDUCTEUR (types applicables)

Huile recommandée

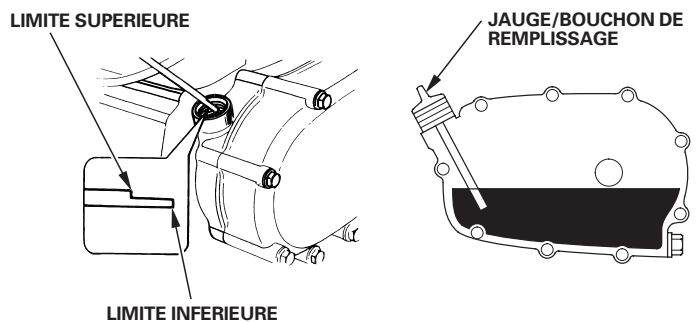
Utiliser la même huile que celle recommandée pour le moteur (voir page 8).

Vérification du niveau d'huile

Vérifier le niveau d'huile du carter de réducteur avec le moteur arrêté et à l'horizontale.

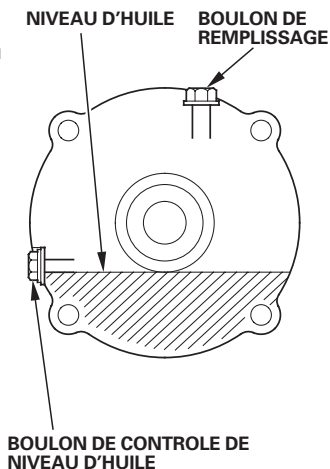
Carter de réducteur 2 : 1 avec embrayage centrifuge

1. Retirer la jauge/bouchon de remplissage d'huile et l'essuyer.
2. Retirer la jauge/bouchon de remplissage d'huile et la remettre dans l'orifice de remplissage sans la visser. Vérifier le niveau d'huile sur la jauge/bouchon de remplissage d'huile.
3. Si le niveau d'huile est bas, faire l'appoint d'huile recommandée jusqu'au repère de limite maximum de la jauge.
4. Visser la jauge/bouchon de remplissage d'huile et la serrer à fond.



Carter de réducteur 6 : 1

1. Retirer le boulon de contrôle de niveau d'huile et la rondelle, puis vérifier si le niveau d'huile atteint le bord de l'orifice du boulon.
2. Si le niveau d'huile se trouve sous l'orifice du boulon de contrôle, déposer le boulon de remplissage et la rondelle. Faire l'appoint d'huile recommandée (voir page 9) jusqu'à ce qu'elle commence à sortir par l'orifice du boulon de contrôle.
3. Reposer le boulon de contrôle de niveau d'huile, le boulon de remplissage et les rondelles. Les serrer à fond.



Renouvellement d'huile

Carter de réducteur 2 : 1 avec embrayage centrifuge

Vidanger l'huile usée alors que le moteur est chaud. La vidange s'effectue plus rapidement et plus complètement lorsque l'huile est chaude.

1. Placer un récipient approprié sous le carter de réducteur pour recueillir l'huile usée, puis retirer la jauge/bouchon de remplissage d'huile, le bouchon de vidange et la rondelle.
2. Vidanger complètement l'huile usée, puis remettre le bouchon de vidange en place avec une rondelle neuve et le serrer à fond.

Jeter l'huile moteur usée d'une manière compatible avec l'environnement. Nous conseillons de la porter dans un récipient fermé au centre de recyclage local ou à une station service pour qu'elle soit traitée. Ne pas la jeter aux ordures ni la déverser dans la terre ou dans un égout.

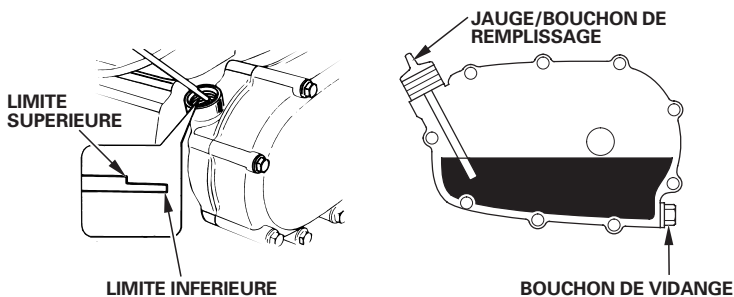
3. Avec le moteur à l'horizontale, remplir d'huile recommandée (voir page 9) jusqu'au repère de limite maximum de la jauge. Pour vérifier le niveau d'huile, introduire la jauge sans la visser dans l'orifice de remplissage et la retirer.

Contenance en huile du carter de réducteur: 0,50 l

AVIS

L'utilisation du moteur avec un niveau d'huile de carter de réducteur insuffisant peut provoquer des dommages au carter de réducteur.

4. Visser correctement la jauge/bouchon de remplissage.



Transmission à démultiplication 6 : 1

Vidanger l'huile usée alors que le moteur est chaud. La vidange s'effectue plus rapidement et plus complètement lorsque l'huile est chaude.

1. Placer un récipient approprié sous le carter de réducteur pour recueillir l'huile usée, puis retirer le boulon de remplissage, le boulon de contrôle de niveau d'huile et les rondelles.
2. Vidanger complètement l'huile usée dans le récipient en inclinant le moteur vers l'orifice du boulon de contrôle de niveau d'huile.

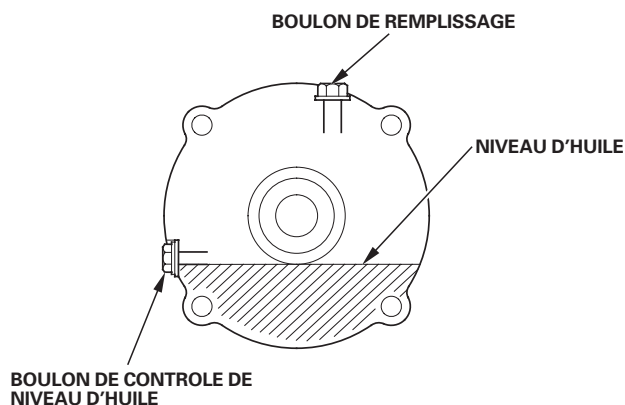
Jeter l'huile moteur usée d'une manière compatible avec l'environnement. Nous conseillons de la porter dans un récipient fermé au centre de recyclage local ou à une station service pour qu'elle soit traitée. Ne pas la jeter aux ordures ni la déverser dans la terre ou dans un égout.

3. Avec le moteur à l'horizontale, remplir d'huile recommandée jusqu'à ce qu'elle commence à sortir par l'orifice du boulon de contrôle (voir page 9).

AVIS

L'utilisation du moteur avec un niveau d'huile de carter de réducteur insuffisant peut provoquer des dommages au carter de réducteur.

4. Reposer le boulon de contrôle de niveau d'huile, le boulon de remplissage et des rondelles neuves, puis les serrer à fond.



FILTRE A AIR

Un filtre à air sale restreint le passage d'air vers le carburateur et réduit ainsi les performances du moteur. Si l'on utilise le moteur dans des endroits très poussiéreux, nettoyer le filtre à air plus souvent qu'il n'est indiqué dans le PROGRAMME D'ENTRETIEN.

AVIS

Si l'on utilise le moteur sans filtre à air ou avec un filtre à air endommagé, des saletés pénétreront dans le moteur qui s'usera alors rapidement. Ce type de dommage n'est pas couvert par la Garantie limitée du distributeur.

Contrôle

Déposer le couvercle de filtre à air et contrôler les éléments filtrants. Nettoyer ou remplacer les éléments filtrants sales. Toujours remplacer des éléments filtrants endommagés. Si le moteur est doté d'un filtre à air à bain d'huile, vérifier également le niveau d'huile.

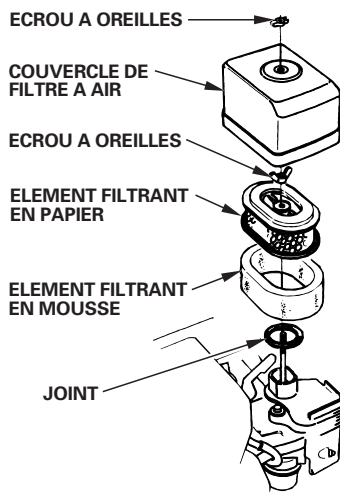
Pour les instructions relatives au filtre à air et à l'élément filtrant pour votre type de moteur, voir pages 11 – 12 .

Nettoyage

Types à double élément filtrant

1. Retirer l'écrou à oreilles du couvercle du filtre à air et déposer le couvercle.
2. Retirer l'écrou à oreilles du filtre à air et déposer le filtre.
3. Déposer le filtre en mousse du filtre en papier.
4. Contrôler les deux éléments du filtre à air et les remplacer s'ils sont endommagés. Toujours remplacer l'élément filtrant en papier aux intervalles prévus dans le programme d'entretien (voir page 7).

TYPE A DOUBLE ELEMENT FILTRANT STANDARD



7. Essuyer la saleté à l'intérieur du boîtier et du couvercle de filtre à air à l'aide d'un chiffon humide. Veiller à ce que la saleté ne pénètre pas dans le conduit d'air menant au carburateur.

8. Placer l'élément filtrant en mousse sur l'élément en papier, puis reposer le filtre à air assemblé. S'assurer que le joint est en place sous le filtre à air. Serrer l'écrou à oreilles du filtre à air à fond.

9. Reposer le couvercle du filtre à air et serrer l'écrou à oreilles à fond.

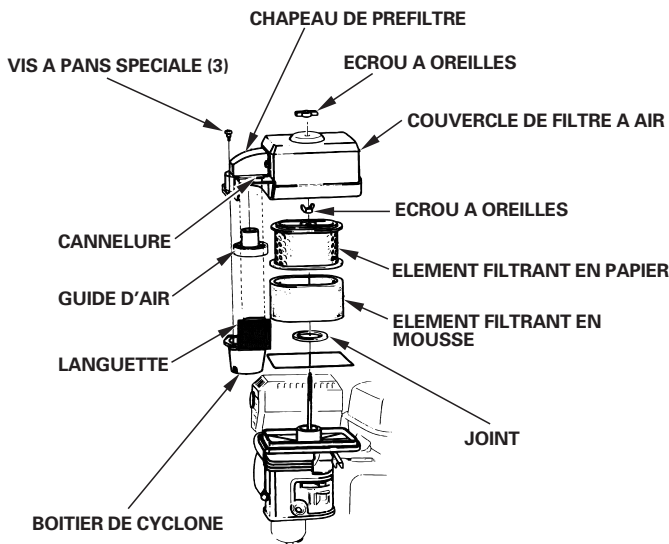
Type à bain d'huile

1. Retirer l'écrou à oreilles et déposer le chapeau et le couvercle du filtre à air.
2. Déposer l'élément filtrant du couvercle. Laver le couvercle et l'élément filtrant dans de l'eau savonneuse chaude, les rincer et les laisser sécher complètement. On pourra également les nettoyer dans un solvant ininflammable, puis les laisser sécher.
3. Tremper l'élément filtrant dans de l'huile moteur propre, puis en exprimer toute huile en excès. S'il reste trop d'huile dans la mousse, le moteur fumera.
4. Vider l'huile usée du boîtier de filtre à air et laver toute saleté accumulée avec un solvant ininflammable, puis sécher le boîtier.
5. Remplir le boîtier de filtre à air jusqu'au repère OIL LEVEL avec la même huile que celle recommandée pour le moteur (voir page 8).

Contenance en huile: 60 cm³

6. Remonter le filtre à air et serrer l'écrou à oreilles à fond.

TYPE A DOUBLE ELEMENT FILTRANT CYCLONIQUE



5. Nettoyer les éléments du filtre à air s'ils doivent être réutilisés.

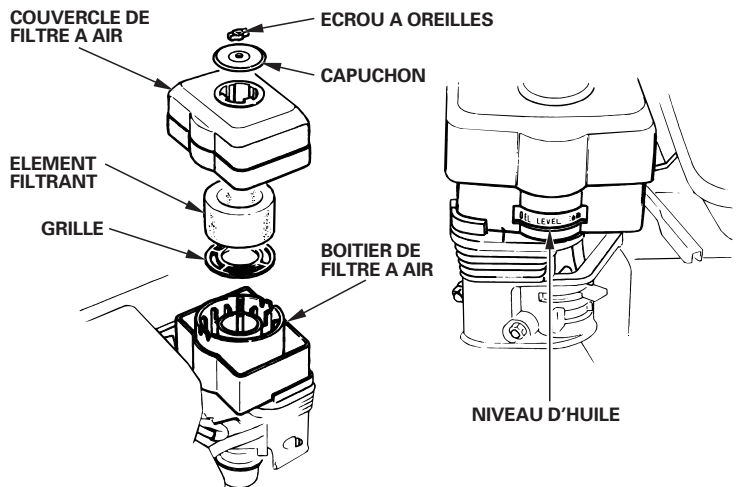
Élément filtrant en papier: Tapoter doucement l'élément filtrant à plusieurs reprises sur une surface dure pour en détacher la saleté ou appliquer un jet d'air comprimé [207 kPa (2,1 kgf/cm²) maximum] à travers l'élément filtrant depuis l'intérieur. Ne jamais essayer de faire partir la saleté avec une brosse; ceci ne ferait qu'enfoncer la saleté dans les fibres.

Élément filtrant en mousse: Nettoyer l'élément filtrant dans de l'eau savonneuse chaude, le rincer et le laisser sécher complètement. On pourra également le nettoyer dans un solvant ininflammable, puis le laisser sécher. Tremper l'élément filtrant dans de l'huile moteur propre, puis en exprimer toute huile en excès. S'il reste trop d'huile dans la mousse, le moteur fumera au démarrage.

6. TYPE CYCLONIQUE SEULEMENT: Retirer les trois vis à tête cylindrique du chapeau du préfiltre, puis déposer le boîtier de filtre cyclonique et le guide d'air. Laver les pièces avec de l'eau, les sécher complètement, puis les remonter.

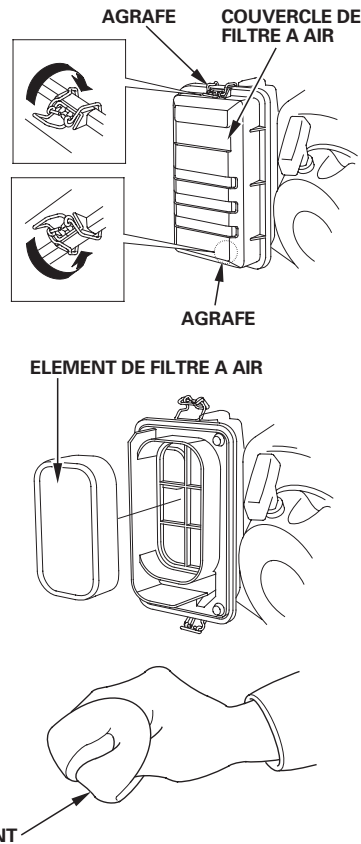
Reposer le guide d'air comme sur l'illustration.

Reposer le boîtier de filtre cyclonique de façon que la languette d'admission d'air soit engagée dans la gorge du chapeau du préfiltre.



Types à profil bas

1. Défaire les clips du couvercle de filtre à air, retirer le couvercle de filtre à air et sortir l'élément de filtre à air.
2. Laver l'élément dans une solution de détergent de ménage et d'eau chaude, puis le rincer entièrement ou le laver dans un solvant non inflammable ou à point d'éclair élevé. Laisser sécher complètement l'élément.
3. Tremper l'élément de filtre à air dans de l'huile moteur propre, puis en exprimer l'huile en excès. S'il reste trop d'huile dans l'élément, le moteur fumera au premier démarrage.
4. Reposer l'élément de filtre à air et le couvercle.



COUPELLE DE DECANTATION

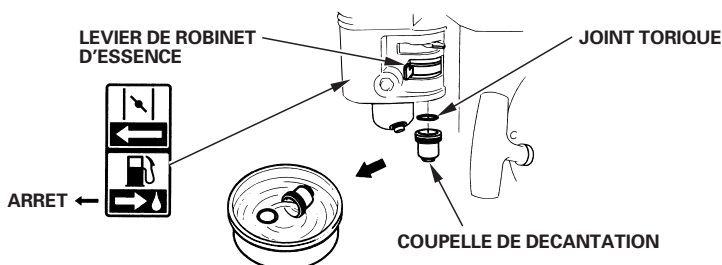
Nettoyage

⚠ ATTENTION

L'essence est très inflammable et explosive et l'on peut se brûler ou se blesser grièvement en la manipulant.

- Arrêter le moteur et ne pas autoriser de sources de chaleur, étincelles ou flammes à proximité.
- Ne manipuler le carburant qu'à l'extérieur.
- Essuyer immédiatement tout carburant renversé.

1. Placer le robinet de carburant sur la position ARRET, puis déposer la coupelle de décantation de carburant et le joint torique.
2. Laver la coupelle de décantation et le joint torique dans un solvant ininflammable et les sécher complètement.



3. Placer le joint torique dans le robinet de carburant et reposer la coupelle de décantation. Serrer la coupelle de décantation à fond.

4. Placer le robinet de carburant sur la position MARCHE et vérifier s'il n'y a pas de fuites. S'il y a des fuites, remplacer le joint torique.

BOUGIE

Bougies recommandées: BPR6ES (NGK)
W20EPR-U (DENSO)

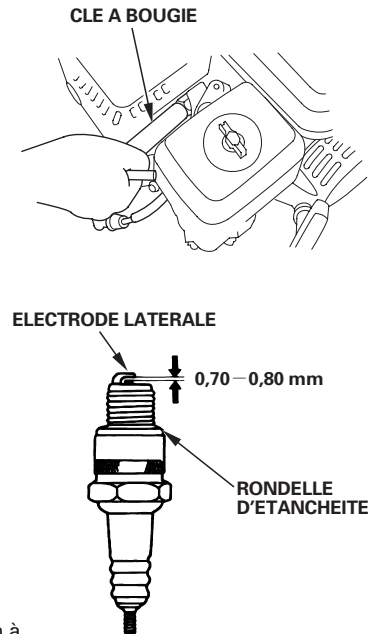
La bougie recommandée possède l'indice thermique correct pour des températures normales de fonctionnement du moteur.

AVIS

Une bougie incorrecte peut provoquer des dommages au moteur.

Pour que les performances soient bonnes, la bougie doit avoir un écartement des électrodes correct et ne pas être encrassée.

1. Déconnecter le capuchon de bougie et nettoyer toute saleté autour de la bougie.
2. Déposer la bougie avec une clé à bougie de 13/16 pouce.
3. Contrôler la bougie. La remplacer si elle est endommagée, très encrassée, si sa rondelle d'étanchéité est en mauvais état ou si son électrode est usée.
4. Mesurer l'écartement des électrodes avec un calibre d'épaisseur à fils. Si nécessaire, le corriger en pliant l'électrode latérale. L'écartement des électrodes doit être de: 0,70–0,80 mm



5. Reposer la bougie avec précaution à la main pour éviter de foirer son filetage.
6. Lorsque la bougie a touché son siège, continuer à la serrer avec une clé à bougie de 13/16 pouce pour comprimer la rondelle d'étanchéité.
7. Si la bougie est neuve, la serrer de 1/2 tour après qu'elle a touché son siège pour comprimer la rondelle.
8. Si elle a déjà été utilisée, la serrer de 1/8 à 1/4 de tour après qu'elle a touché son siège pour comprimer la rondelle.

AVIS

Une bougie insuffisamment serrée peut surchauffer et endommager le moteur. Un serrage excessif de la bougie peut endommager le filetage dans la culasse.

9. Fixer le capuchon de bougie sur la bougie.

PARE-ÉTINCELLES (types applicables)

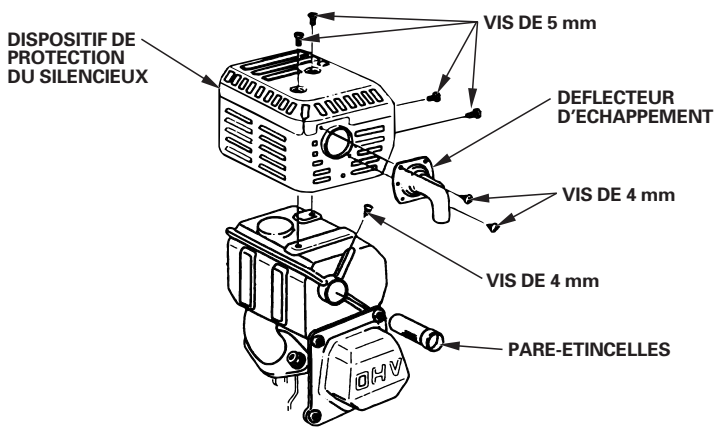
Selon le type de moteur, le pare-étincelles peut être une pièce standard ou en option. Dans certaines zones, il n'est pas autorisé d'utiliser un moteur sans pare-étincelles. Se renseigner sur la réglementation locale. Un pare-étincelles est en vente chez les concessionnaires Honda agréés.

Le pare-étincelles doit être entretenu toutes les 100 heures pour pouvoir continuer à fonctionner de la manière prévue.

Si le moteur vient de tourner, le silencieux sera chaud. Le laisser se refroidir avant de contrôler le pare-étincelles.

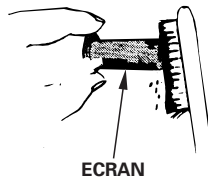
Dépose du pare-étincelles

1. Retirer les trois vis de 4 mm du déflecteur d'échappement et déposer le déflecteur (types applicables).
2. Retirer les quatre vis de 5 mm du protecteur de silencieux et déposer le protecteur de silencieux.
3. Retirer la vis de 4 mm du pare-étincelles et déposer le pare-étincelles du silencieux.



Nettoyage et contrôle du pare-étincelles

1. Utiliser une brosse pour retirer la calamine de l'écran du pare-étincelles. Veiller à ne pas endommager l'écran. Remplacer le pare-étincelles s'il est cassé ou percé.
2. Reposer le pare-étincelles, le protecteur de silencieux et le déflecteur d'échappement dans l'ordre inverse de la dépose.



REGIME DE RALENTI

Réglage

1. Mettre le moteur en marche à l'extérieur et l'échauffer jusqu'à la température de fonctionnement.
2. Placer le levier des gaz sur la position minimum.
3. Tourner la vis butée de ralenti pour obtenir le régime de ralenti standard.



CONSEILS ET SUGGESTIONS UTILES

REMISAGE DU MOTEUR

Préparation au remisage

Une préparation au remisage appropriée est essentielle pour maintenir le moteur en bon état de fonctionnement et lui conserver son bel aspect. Les opérations suivantes contribueront à empêcher que la rouille et la corrosion n'affectent le fonctionnement et l'aspect du moteur et à faciliter le démarrage du moteur lors de sa remise en service.

Nettoyage

Si le moteur vient de tourner, le laisser se refroidir pendant au moins une demi-heure avant le nettoyage. Nettoyer toutes les surfaces extérieures, faire les retouches de peinture nécessaires et enduire toutes les parties susceptibles de rouiller d'une légère couche d'huile.

AVIS

L'utilisation d'un tuyau d'arrosage ou d'un dispositif de lavage sous pression peut faire pénétrer de l'eau dans le filtre à air ou dans l'ouverture du silencieux. L'eau dans le filtre à air imbibé alors l'élément filtrant, et l'eau qui traverse l'élément filtrant ou le silencieux peut pénétrer dans le cylindre et causer des dommages.

Carburant

L'essence s'oxyde et se dégrade lors du remisage. Une essence dégradée rend le démarrage difficile et laisse des dépôts de gomme susceptibles de boucher le système d'alimentation en carburant. Si l'essence dans le moteur se dégrade pendant le remisage, une intervention sur le carburateur et d'autres pièces du système d'alimentation en carburant ou leur remplacement peut être nécessaire.

La durée pendant laquelle on peut laisser l'essence dans le réservoir de carburant et le carburateur sans causer de problèmes fonctionnels dépend de facteurs tels que la composition de l'essence ou les températures de remisage ainsi que du degré de remplissage, partiel ou complet, du réservoir. L'air dans un réservoir de carburant partiellement rempli favorise la dégradation du carburant. De très fortes températures de remisage accélèrent la dégradation du carburant. Des problèmes de carburant peuvent survenir après quelques mois ou même plus rapidement si l'essence n'était pas fraîche lorsqu'on a fait le plein.

Les dommages du système d'alimentation en carburant ou les problèmes de performances du moteur qui résultent d'une mauvaise préparation au remisage ne sont pas couverts par la *Garantie limitée du distributeur*.

On peut prolonger la durée de vie du carburant lors du remisage en ajoutant un stabilisateur d'essence spécialement formulé à cet effet ou l'on peut éviter les problèmes de dégradation du carburant en vidangeant le réservoir de carburant et le carburateur.

Ajout d'un stabilisateur d'essence pour prolonger la durée de stockage du carburant

Lorsqu'on ajoute un stabilisateur d'essence, remplir le réservoir de carburant avec de l'essence fraîche. Si le réservoir n'est que partiellement rempli, l'air à l'intérieur favorise la dégradation du carburant pendant le remisage. Si l'on garde un bidon d'essence pour le ravitaillement, veiller à ce qu'il ne contienne que de l'essence fraîche.

1. Ajouter le stabilisateur d'essence en suivant les instructions du fabricant.
2. Après avoir ajouté le stabilisateur d'essence, faire tourner le moteur à l'extérieur pendant 10 minutes pour être sûr que l'essence traitée a remplacé l'essence non traitée dans le carburateur.
3. Arrêter le moteur.

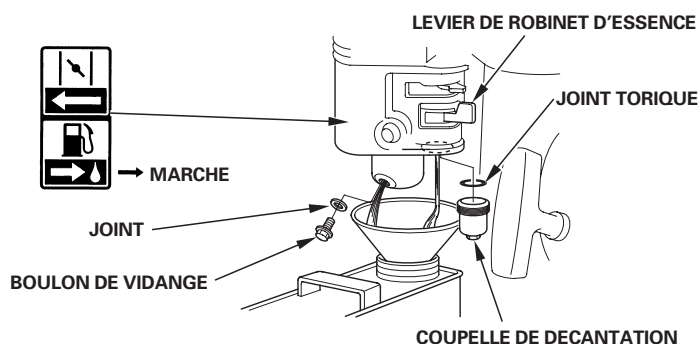
Régime de ralenti standard: $1.400 \begin{matrix} +200 \\ -150 \end{matrix} \text{ min}^{-1} \text{ (tr/mn)}$

⚠ ATTENTION

L'essence est très inflammable et explosive et l'on peut se brûler ou se blesser grièvement en la manipulant.

- Arrêter le moteur et ne pas autoriser de sources de chaleur, étincelles ou flammes à proximité.
- Ne manipuler le carburant qu'à l'extérieur.
- Essuyer immédiatement tout carburant renversé.

1. Placer un récipient d'essence agréé sous le carburateur et utiliser un entonnoir pour ne pas renverser de carburant.
2. Déposer le boulon de vidange du carburateur et le joint. Déposer la coupelle de décantation et le joint torique, puis placer le levier du robinet de carburant sur la position MARCHÉ.

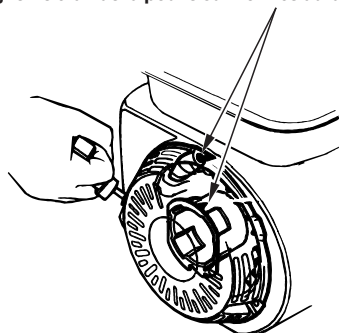


3. Après avoir vidangé tout le carburant dans le récipient, reposer le boulon de vidange, la coupelle de décantation et le joint torique. Serrer le boulon de vidange et la coupelle de décantation à fond.

Huile moteur

1. Renouveler l'huile moteur (voir page 9).
2. Déposer la bougie (voir page 12).
3. Verser une cuillère à soupe (5 – 10 cm³) d'huile moteur propre dans le cylindre.
4. Tirer la corde de lancement à plusieurs reprises pour distribuer l'huile dans le cylindre.
5. Reposer la bougie.
6. Tirer la corde de lancement lentement jusqu'à ce qu'une résistance soit ressentie et que le cran de la poulie de lanceur vienne en regard de l'orifice en haut du couvercle de lanceur. Ceci ferme les soupapes pour empêcher l'humidité de pénétrer dans le cylindre du moteur. Ramener doucement la corde de lancement en arrière.

Aligner le cran de la poulie sur l'orifice au-dessus du couvercle.



Précautions de remisage

Si l'on remise le moteur avec de l'essence dans le réservoir de carburant et le carburateur, il est important de réduire les risques d'inflammation des vapeurs d'essence. Choisir une zone de remisage bien aérée loin de tout appareil à flamme tel que fourneau, chauffe-eau ou séchoir à linge. Eviter également un endroit où un moteur électrique produisant des étincelles ou des outils électriques sont utilisés.

Eviter dans la mesure du possible des zones de remisage très humides car ceci favorise la rouille et la corrosion.

Garder le moteur à l'horizontale lors du remisage. Une inclinaison peut provoquer des fuites de carburant ou d'huile.

Alors que le moteur et le système d'échappement sont froids, couvrir le moteur pour le protéger contre la poussière. Un moteur ou un système d'échappement chaud peut enflammer ou faire fondre certaines matières. Ne pas utiliser une feuille en plastique pour la protection contre la poussière. Une bâche non poreuse emprisonne l'humidité autour du moteur et favorise la rouille et la corrosion.

Si le moteur est équipé d'une batterie pour types à démarreur électrique, recharger la batterie une fois par mois pendant le remisage du moteur. Ceci contribuera à prolonger la durée de service de la batterie.

Fin du remisage

Vérifier le moteur comme il est indiqué à la section *CONTROLES AVANT L'UTILISATION* de ce manuel (voir page 3).

Si le carburant a été vidangé lors de la préparation au remisage, remplir le réservoir avec de l'essence fraîche. Si l'on garde un bidon d'essence pour le ravitaillement, veiller à ce qu'il ne contienne que de l'essence fraîche. L'essence s'oxyde et se dégrade avec le temps, ce qui rend le démarrage difficile.

Si le cylindre a été enduit d'huile lors de la préparation au remisage, le moteur fume brièvement au démarrage. Ceci est normal.

TRANSPORT

Garder le moteur à l'horizontale lors du transport pour réduire les risques de fuites de carburant. Placer le robinet de carburant sur la position OFF (voir page 5).

EN CAS DE PROBLEME INATTENDU

LE MOTEUR NE DEMARRE PAS	Cause possible	Remède
1. Démarrage électrique (types applicables): Vérifier la batterie et le fusible.	Batterie déchargée.	Recharger la batterie.
	Fusible sauté.	Remplacer le fusible (p. 15).
2. Vérifier les positions des commandes.	Robinet de carburant sur ARRET.	Placer le levier sur la position MARCHE.
	Starter ouvert.	Placer le levier sur la position FERME si le moteur n'est pas chaud.
	Interrupteur du moteur sur ARRET.	Placer l'interrupteur du moteur sur la position MARCHE.
3. Vérifier le niveau d'huile moteur.	Niveau d'huile moteur insuffisant (modèles à système Oil Alert).	Remplir avec l'huile recommandée jusqu'au niveau correct (p. 9).
4. Vérifier le carburant.	Carburant épuisé.	Faire le plein (p. 8).
	Mauvais carburant; moteur remis sans traitement ou vidange préalable de l'essence ou plein effectué avec une mauvaise essence.	Vidanger le réservoir de carburant et le carburateur (p. 14). Faire le plein avec de l'essence fraîche (p. 8).
5. Retirer la bougie et la contrôler.	Bougie défectueuse, encrassée ou ayant un écartement des électrodes incorrect.	Régler l'écartement des électrodes ou remplacer la bougie (p. 12).
	Bougie mouillée de carburant (moteur noyé).	Sécher et reposer la bougie. Mettre le moteur en marche avec le levier des gaz sur la position MAXI.
6. Porter le moteur chez un concessionnaire Honda agréé ou consulter le manuel d'atelier.	Filtre à carburant obstrué, anomalie du carburateur, anomalie d'allumage, soupapes grippées, etc.	Remplacer ou réparer les pièces défectueuses si nécessaire.

LE MOTEUR MANQUE DE PUISSANCE	Cause possible	Remède
1. Vérifier le filtre à air.	Elément(s) filtrant(s) colmaté(s).	Nettoyer ou remplacer le ou les éléments filtrants (p. 11 - 12).
2. Vérifier le carburant.	Mauvais carburant; moteur remis sans traitement ou vidange préalable de l'essence ou plein effectué avec une mauvaise essence.	Vidanger le réservoir de carburant et le carburateur (p. 14). Faire le plein avec de l'essence fraîche (p. 8).
3. Porter le moteur chez un concessionnaire Honda agréé ou consulter le manuel d'atelier.	Filtre à carburant obstrué, anomalie du carburateur, anomalie d'allumage, soupapes grippées, etc.	Remplacer ou réparer les pièces défectueuses si nécessaire.

REPLACEMENT DES FUSIBLES (types applicables)

Le circuit de relais du démarreur électrique et le circuit de charge de la batterie sont protégés par un fusible. Si le fusible saute, le démarreur électrique ne fonctionnera pas. Lorsque le fusible a sauté, on peut mettre le moteur en marche manuellement, mais la batterie ne se charge pas pendant le fonctionnement.

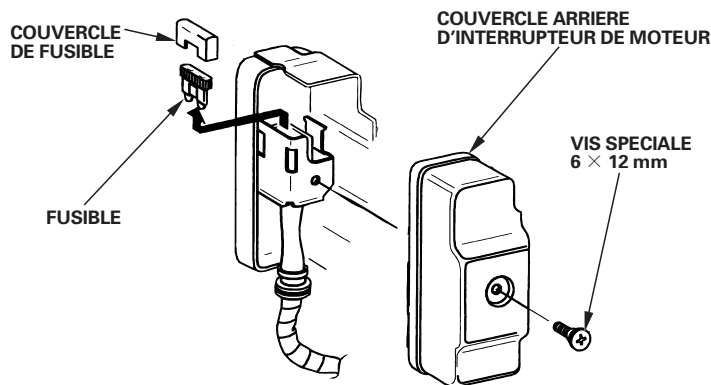
- Déposer la vis de 6 × 12 mm du couvercle arrière de la boîte de commutateurs du moteur.
- Retirer le couvercle du fusible, déposer le fusible et le contrôler.

Si le fusible a sauté, le mettre au rebut. Poser un fusible neuf de même ampérage que le fusible retiré et reposer le couvercle. Pour toute question sur l'ampérage du fusible d'origine, s'adresser au concessionnaire Honda.

AVIS

Ne jamais utiliser un fusible d'ampérage supérieur au fusible d'origine du moteur. Ceci pourrait causer d'importants dommages au système électrique ou un incendie.

- Reposer le couvercle arrière. Reposer la vis de 6 × 12 mm et la serrer à fond.



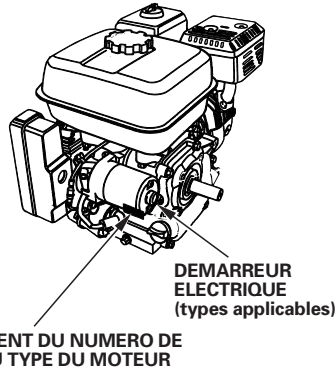
Si le fusible saute fréquemment, ceci signale généralement un court-circuit ou une surcharge dans le circuit électrique. Porter alors le moteur chez un concessionnaire Honda pour le faire réparer.

INFORMATIONS TECHNIQUES ET DU CONSOMMATEUR

INFORMATIONS TECHNIQUES

Emplacement des numéros de série

Noter le numéro de série du moteur dans l'espace ci-dessous. Cette information est nécessaire pour la commande de pièces et les demandes de renseignements techniques ou de garantie.



Numéro de série du moteur: _____

Type de moteur: _____

Date d'achat: ____ / ____ / ____

Raccordements de la batterie pour le démarreur électrique (types applicables)

Utiliser une batterie de 12 volts avec une capacité nominale en ampères-heures d'au moins 18 Ah.

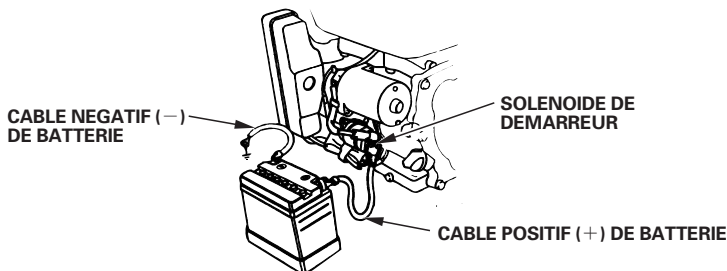
Veiller à ne pas connecter la batterie avec une polarité inversée car cela court-circuiterait le système de charge de la batterie. Toujours connecter le câble positif (+) de la batterie à la borne de la batterie avant de connecter le câble négatif (-) de la batterie afin de ne pas risquer de provoquer un court-circuit en touchant une pièce reliée à la masse avec l'outil lors du serrage de l'extrémité du câble positif (+) de la batterie.

⚠ ATTENTION

Si l'on n'observe pas la procédure correcte, la batterie peut exploser et blesser grièvement quelqu'un à proximité.

Ne pas approcher d'étincelles, flammes vives et cigarettes de la batterie.

1. Connecter le câble positif (+) de la batterie à la borne du solénoïde de démarreur comme sur la figure.
2. Connecter le câble négatif (-) de la batterie à un boulon de montage du moteur, un boulon du châssis ou une autre bonne connexion de masse du moteur.
3. Connecter le câble positif (+) de la batterie à la borne positive (+) de la batterie comme sur la figure.
4. Connecter le câble négatif (-) de la batterie à la borne négative (-) de la batterie comme sur la figure.
5. Enduire les bornes et les extrémités de câble avec de la graisse.

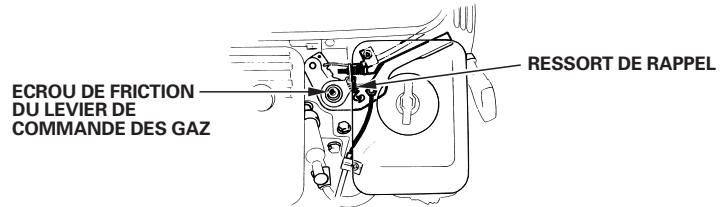


Tringlerie de commande à distance

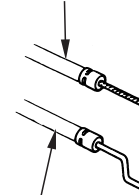
Les leviers des gaz et de starter comportent des orifices pour la fixation d'un câble en option. Les illustrations suivantes présentent des exemples d'installation d'un câble métallique massif et d'un câble métallique tressé flexible. Si l'on utilise un câble métallique tressé flexible, ajouter un ressort de rappel comme sur la figure.

Pour commander les gaz à l'aide d'une commande à distance, desserrer l'écrou de dureté du levier des gaz.

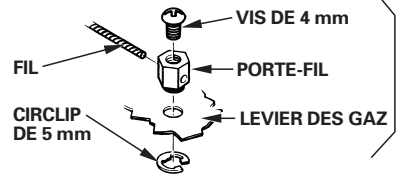
TRINGLERIE DE COMMANDE A DISTANCE



Montage à âme de câble flexible

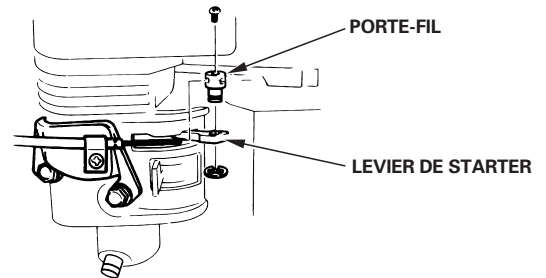


Montage à âme de câble massive



EN OPTION

TRINGLERIE DE STARTER A COMMANDE A DISTANCE



Modifications du carburateur pour une utilisation à haute altitude

En haute altitude, le mélange air-carburant standard du carburateur s'enrichit excessivement. Les performances diminuent alors et la consommation de carburant augmente. Un mélange très riche encrasse également la bougie et rend le démarrage difficile. Une utilisation prolongée à des altitudes différentes de celles pour lesquelles ce moteur a été certifié peut entraîner une augmentation des émissions polluantes.

On peut améliorer les performances en haute altitude en effectuant certaines modifications sur le carburateur. Si l'on utilise toujours le moteur à des altitudes supérieures à 1.500 mètres, demander au concessionnaire d'effectuer ces modifications du carburateur. Lors d'une utilisation en haute altitude, le moteur satisfera aux normes antipollution pendant toute sa durée de service si les modifications du carburateur pour une utilisation en haute altitude ont été effectuées.

Même avec un carburateur modifié, la puissance du moteur diminuera d'environ 3,5 % pour chaque augmentation d'altitude de 300 mètres. Si le carburateur n'est pas modifié, l'effet de l'altitude sur la puissance sera encore plus important.

AVIS

Lorsque le carburateur a été modifié pour une utilisation à haute altitude, le mélange air-carburant est trop pauvre pour une utilisation à basse altitude. L'utilisation à des altitudes inférieures à 1.500 mètres avec un carburateur modifié peut provoquer une surchauffe du moteur et entraîner d'importants dommages au moteur. Pour une utilisation à basse altitude, faire remettre le carburateur aux spécifications d'usine d'origine par le concessionnaire.

Carburants oxygénés

Certaines essences conventionnelles sont mélangées à de l'alcool ou un composé d'éther. Elles sont collectivement appelées carburants oxygénés. Des carburants oxygénés sont utilisés dans certaines parties des Etats-Unis et du Canada pour réduire les rejets gazeux et satisfaire ainsi aux normes sur la pollution atmosphérique.

Si l'on utilise un carburant oxygéné, s'assurer qu'il est sans plomb et possède l'indice d'octane minimum spécifié.

Avant d'utiliser un carburant oxygéné, essayer d'en connaître la composition. Dans certains états/provinces, celle-ci est indiquée sur la pompe à essence.

Les pourcentages de composants oxygénés autorisés par l'EPA sont les suivants:

- ETHANOL** ——— (alcool éthylique ou alcool de grain) 10 % en volume
On peut utiliser une essence contenant jusqu'à 10 % d'éthanol en volume. Les essences à l'éthanol sont parfois commercialisées sous le nom d'alco-essence.
- MTBE** ——— (éther méthyl-tertiobutylique) 15 % en volume
On peut utiliser une essence contenant jusqu'à 15 % de MTBE en volume.
- METHANOL** ——— (alcool méthylique ou alcool de bois) 5 % en volume
On peut utiliser une essence contenant jusqu'à 5 % de méthanol en volume à la condition qu'elle contienne également des cosolvants et des inhibiteurs de corrosion pour protéger le système d'alimentation en carburant. Une essence contenant plus de 5 % de méthanol en volume peut provoquer des problèmes de démarrage et/ou de performances. Elle peut également endommager les pièces métalliques, en caoutchouc et en plastique du système d'alimentation en carburant.

Si l'on constate des symptômes de fonctionnement indésirables, essayer une autre station-service ou changer de marque d'essence. Les dommages du système d'alimentation en carburant ou les problèmes de performances résultant de l'utilisation d'un carburant oxygéné avec des pourcentages de composants oxygénés supérieurs à ceux ci-dessus ne sont pas couverts par la *garantie limitée du distributeur*.

Informations sur le système antipollution

Source des émissions polluantes

La combustion du carburant s'accompagne d'un rejet de monoxyde de carbone, d'oxydes d'azote et d'hydrocarbures. Il est très important de contrôler les hydrocarbures et les oxydes d'azote car, dans certaines conditions, ils réagissent à la lumière du soleil pour former un brouillard photochimique. Le monoxyde de carbone ne réagit pas de la même manière, mais il est toxique.

Honda utilise des réglages pauvres du carburateur et d'autres systèmes pour réduire les rejets de monoxyde de carbone, d'oxydes d'azote et d'hydrocarbures.

Les Clean Air Act des Etats-Unis et de Californie et Environnement Canada

La réglementation de l'EPA (agence de protection de l'environnement), de Californie et du Canada exige de tous les fabricants qu'ils fournissent des instructions écrites décrivant le fonctionnement et l'entretien des systèmes antipollution.

Les instructions et procédures suivantes doivent être respectées afin de maintenir les émissions polluantes du moteur Honda dans les limites autorisées.

Modification non autorisée et altération

La modification non autorisée ou l'altération du système antipollution peut entraîner une augmentation des émissions polluantes au-delà de la limite légale. Les actions suivantes constituent notamment des modifications non autorisées:

- Retrait ou altération d'une pièce quelconque des systèmes d'admission, d'alimentation en carburant ou d'échappement.
- Altération ou neutralisation de la tringlerie du régulateur de régime ou du mécanisme de réglage de régime ayant pour effet de faire fonctionner le moteur en dehors de ses paramètres de conception.

Problèmes pouvant avoir une incidence sur les émissions polluantes

Si l'on constate l'un des symptômes suivants, faire contrôler et réparer le moteur par le concessionnaire.

- Démarrage difficile ou calage après le démarrage.
- Ralenti irrégulier.
- Ratés d'allumage ou retours de flammes en charge.
- Postcombustion (retours de flamme).
- Fumée d'échappement noire ou consommation de carburant excessive.

Pièces de rechange

Les systèmes antipollution du moteur Honda ont été conçus, fabriqués et homologués conformément à la réglementation sur la pollution de l'EPA (agence de protection de l'environnement), de Californie et du Canada. Nous recommandons d'utiliser des pièces Honda d'origine lors de tout entretien. Ces pièces de rechange ont la conception d'origine et sont fabriquées en appliquant les mêmes normes que les pièces initiales, ce qui garantit la fiabilité de leurs performances. L'utilisation de pièces de rechange n'ayant pas la conception et la qualité d'origine peut nuire à l'efficacité du système antipollution.

Le fabricant d'une pièce du marché des pièces de rechange assume la responsabilité que cette pièce n'affectera pas la performance antipollution. Le fabricant ou le constructeur de la pièce doit certifier que l'utilisation de cette pièce n'empêchera pas le moteur de se conformer à la réglementation sur la pollution.

Entretien

Observer le programme d'entretien de la page 7. Ne pas oublier que ce programme présume que la machine sera utilisée pour l'application pour laquelle elle est prévue. Une utilisation prolongée sous une charge élevée ou par haute température, ou dans des conditions anormalement humides ou poussiéreuses demande un entretien plus fréquent.

Indice atmosphérique

Une étiquette volante/autocollant d'informations sur l'indice atmosphérique est appliquée sur les moteurs certifiés pour une période d'endurance des pièces antipollution conformément aux exigences du California Air Resources Board.

Le barre-graphe permet au client de comparer les performances antipollution des moteurs disponibles. Plus l'indice atmosphérique est faible, moindre est la pollution.

La désignation d'endurance fournit des informations relatives à la période d'endurance des pièces antipollution du moteur. La durée de désignation est la durée de service utile du système antipollution du moteur. Pour plus d'informations, consulter la *Garantie du système antipollution*.

Durée de désignation	Applicable à la période d'endurance des pièces antipollution
Modérée	50 heures (0 – 65 cm ³) 125 heures (plus de 65 cm ³)
Intermédiaire	125 heures (0 – 65 cm ³) 250 heures (plus de 65 cm ³)
Prolongée	300 heures (0 – 65 cm ³) 500 heures (plus de 65 cm ³)

L'étiquette volante/autocollant d'informations sur l'indice atmosphérique doit demeurer sur le moteur jusqu'à la vente. Retirer l'étiquette volante avant d'utiliser le moteur.

Caractéristiques

GX120 (Arbre de prise de force type S)

Longueur × Largeur × Hauteur	297 × 341 × 318 mm
Poids à sec	13,0 kg
Type de moteur	4 temps, soupape en tête, cylindre unique
Cylindrée [Alésage × course]	119 cm ³ [60 × 42 mm]
Puissance maxi	2,9 kW (4,0 PS) à 3.600 min ⁻¹ (tr/mn)
Couple maxi	7,4 N·m (0,75 kgf·m) à 2.500 min ⁻¹ (tr/mn)
Contenance en huile moteur	0,60 ℓ
Capacité du réservoir de carburant	2,5 ℓ
Consommation de carburant	313 g/kWh (230 g/PSh)
Système de refroidissement	Air forcé
Système d'allumage	Transistor magnétique
Rotation de l'arbre de prise de force	Sens inverse des aiguilles d'un montre

GX160 (Arbre de prise de force type S)

Longueur × Largeur × Hauteur	304 × 362 × 335 mm
Poids à sec	15,0 kg
Type de moteur	4 temps, soupape en tête, cylindre unique
Cylindrée [Alésage × course]	163 cm ³ [68 × 45 mm]
Puissance maxi	4,0 kW (5,5 PS) à 3.600 min ⁻¹ (tr/mn)
Couple maxi	10,8 N·m (1,1 kgf·m) à 2.500 min ⁻¹ (tr/mn)
Contenance en huile moteur	0,60 ℓ
Capacité du réservoir de carburant	3,6 ℓ
Consommation de carburant	313 g/kWh (230 g/PSh)
Système de refroidissement	Air forcé
Système d'allumage	Transistor magnétique
Rotation de l'arbre de prise de force	Sens inverse des aiguilles d'un montre

GX200 (Arbre de prise de force type S)

Longueur × Largeur × Hauteur	313 × 376 × 335 mm
Poids à sec	16,0 kg
Type de moteur	4 temps, soupape en tête, cylindre unique
Cylindrée [Alésage × course]	196 cm ³ [68 × 54 mm]
Puissance maxi	4,8 kW (6,5 PS) à 3.600 min ⁻¹ (tr/mn)
Couple maxi	13,2 N·m (1,35 kgf·m) à 2.500 min ⁻¹ (tr/mn)
Contenance en huile moteur	0,60 ℓ
Capacité du réservoir de carburant	3,6 ℓ
Consommation de carburant	313 g/kWh (230 g/PSh)
Système de refroidissement	Air forcé
Système d'allumage	Transistor magnétique
Rotation de l'arbre de prise de force	Sens inverse des aiguilles d'un montre

Caractéristiques de mise au point GX120/160/200

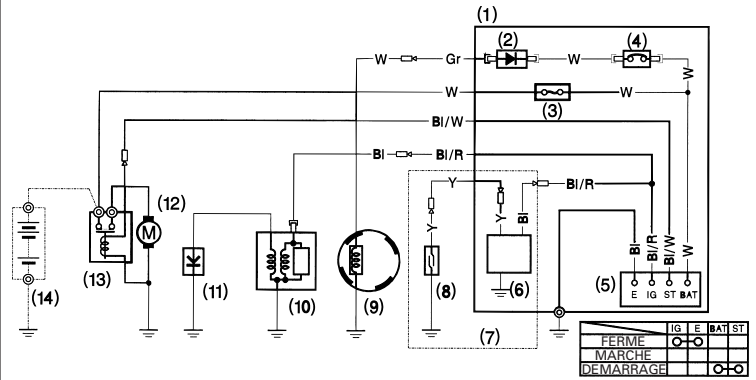
DESCRIPTION	CARACTERISTIQUES	ENTRETIEN
Ecartement des électrodes	0,70 – 0,80 mm	Voir page: 12
Régime de ralenti	1.400 ⁺²⁰⁰ / ₋₁₅₀ min ⁻¹ (tr/mn)	Voir page: 13
Jeu aux soupapes (à froid)	ADM: 0,15 ± 0,02 mm ECH: 0,20 ± 0,02 mm	Consulter le concessionnaire Honda agréé
Autres caractéristiques	Aucun autre réglage nécessaire.	

Informations de référence rapide

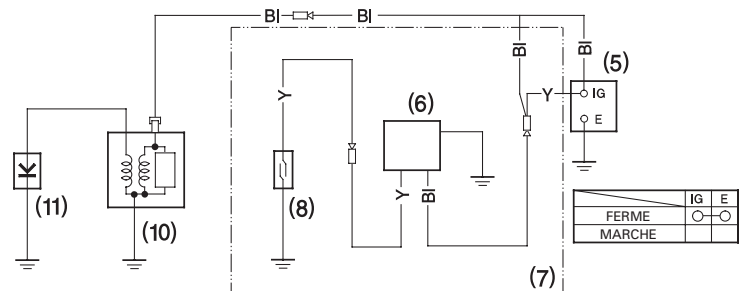
Carburant	Essence sans plomb (Voir page 8)	
	Etats-Unis	Indice d'octane pompe d'au moins 86
	Sauf Etats-Unis	Indice d'octane recherche d'au moins 91 Indice d'octane pompe d'au moins 86
Huile moteur	SAE 10W-30, API SJ ou SL, pour l'utilisation générale. Voir page 8.	
Huile de carter de réducteur	Même huile que l'huile moteur, voir ci-dessus (types applicables).	
Bougie	BPR6ES (NGK) W20EPR-U (DENSO)	
Entretien	Avant chaque utilisation:	
	<ul style="list-style-type: none"> • Vérifier le niveau d'huile moteur. Voir page 9. • Vérifier l'huile du carter de réducteur (types applicables). Voir page 9 – 10. • Vérifier le filtre à air. Voir page 10. 	
	Premières 20 h:	
	<ul style="list-style-type: none"> • Renouveler l'huile moteur. Voir page 9. • Renouveler l'huile du carter de réducteur (types applicables). Voir page 10. 	
	Après: Voir le programme d'entretien à la page 7.	

Schémas de câblage

Avec système Oil Alert® et démarreur électrique



Avec système Oil Alert® et sans démarreur électrique



- | | |
|--------------------------------------|----------------------------------|
| (1) BOITE DE COMMANDE | (8) CONTACTEUR DE NIVEAU D'HUILE |
| (2) REDRESSEUR | (9) BOBINE DE CHARGE |
| (3) FUSIBLE | (10) BOBINE D'ALLUMAGE |
| (4) RUPTEUR DE CIRCUIT | (11) BOUGIE D'ALLUMAGE |
| (5) CONTACTEUR D'ARRET MOTEUR | (12) DÉMARREUR |
| (6) UNITE D'ALERTE D'HUILE | (13) SOLENOIDE DE DEMARREUR |
| (7) Type avec unité d'alerte d'huile | (14) BATTERIE (12 V) |

BI	Noir	Br	Marron
Y	Jaune	O	Orange
Bu	Bleu	Lb	Bleu clair
G	Vert	Lg	Vert clair
R	Rouge	P	Rose
W	Blanc	Gr	Gris

INFORMATION DU CONSOMMATEUR

Informations de localisation des distributeurs/concessionnaires

Etats-Unis, Puerto Rico et Iles vierges américaines:

Appelez le (800) 426-7701

ou rendez-vous sur notre site Web: www.honda-engines.com

Canada:

Appelez le (888) 9HONDA9

ou rendez-vous sur notre site Web: www.honda.ca

Pour la zone européenne:

rendez-vous sur notre site Web: <http://www.honda-engines-eu.com>

Informations d'entretien pour le client

Le personnel des concessionnaires compte des professionnels qualifiés. Il devrait pouvoir répondre à toutes vos questions. Si le concessionnaire ne résout pas votre problème de manière satisfaisante, adressez-vous à la direction du concessionnaire. Le responsable du service après-vente, le directeur général ou le propriétaire pourra vous aider. Presque tous les problèmes se résolvent de cette manière.

Etats-Unis, Puerto Rico et Iles vierges américaines:

Si vous n'êtes pas satisfait de la décision prise par la direction du concessionnaire, adressez-vous au distributeur régional de moteurs Honda de votre région.

Si vous n'êtes toujours pas satisfait après avoir parlé au distributeur régional de moteurs, vous pourrez vous adresser au bureau Honda indiqué.

Toutes les autres zones:

Si vous n'êtes pas satisfait de la décision prise par la direction du concessionnaire, adressez-vous au bureau Honda indiqué.

«Bureau Honda»

Lorsque vous écrivez ou appelez, veuillez fournir les informations suivantes:

- Nom du fabricant et numéro de modèle de l'équipement sur lequel est monté le moteur
- Modèle, numéro de série et type du moteur (voir page 16)
- Nom du concessionnaire vous ayant vendu le moteur
- Nom, adresse et personne à contacter du concessionnaire assurant le service après-vente de votre moteur
- Date d'achat
- Vos nom, adresse et numéro de téléphone
- Description détaillée du problème

Etats-Unis, Puerto Rico et Iles vierges américaines:

American Honda Motor Co., Inc.

Power Equipment Division

Customer Relations Office

4900 Marconi Drive

Alpharetta, GA 30005-8847

Ou téléphoner au: (770) 497-6400, 8 h 30 - 20 h 00 HNE

Canada:

Honda Canada, Inc.

715 Milner Avenue

Toronto, ON

M1B 2K8

Téléphone: (888) 9HONDA9 Sans frais
(888) 946-6329

Anglais: (416) 299-3400 Appels locaux de la région de Toronto

Français: (416) 287-4776 Appels locaux de la région de Toronto

Télécopieur: (877) 939-0909 Sans frais

(416) 287-4776 Appels locaux de la région de Toronto

Australie:

Honda Australia Motorcycle and Power Equipment Pty. Ltd.

1954 – 1956 Hume Highway Campbellfield Victoria 3061

Téléphone: (03) 9270 1111

Télécopieur: (03) 9270 1133

Pour la zone européenne:

Honda Europe NV.

European Engine Center

<http://www.honda-engines-eu.com>

Toutes les autres zones:

S'adresser au distributeur Honda local pour toute assistance.

HONDA
The Power of Dreams

INTRODUCCIÓN

Muchas gracias por la adquisición de un motor Honda. Nos gustaría ayudarle a obtener los mejores resultados con su nuevo motor y a operarlo con seguridad. Este manual contiene información para ello; léalo detenidamente antes de poner en funcionamiento el motor. En caso de encontrarse con algún problema, o si tiene alguna pregunta sobre su motor, consulte a un concesionario de servicio Honda autorizado.

Toda la información de esta publicación se basa en la información más reciente disponible en el momento de la impresión. Honda Motor Co., Ltd. se reserva el derecho a efectuar cambios en cualquier momento sin previo aviso y sin incurrir en ningún tipo de obligación. No se permite la reproducción de ninguna parte de esta publicación sin permiso por escrito.


Este manual debe considerarse como una parte permanente del motor y debe permanecer con el motor en caso de reventa.

Revise las instrucciones suministradas con el equipo que funcionará con este motor para encontrar información adicional sobre la puesta en marcha del motor, parada, operación, ajustes, o instrucciones especiales para el mantenimiento.

Estados Unidos, Puerto Rico, e Islas Vírgenes Estadounidenses:
Le aconsejamos que lea el contrato de garantía para que comprenda su alcance y sus responsabilidades de propiedad. El contrato de garantía es un documento independiente que le habrá entregado su concesionario.

MENSAJES DE SEGURIDAD

Su seguridad y la seguridad de los demás son muy importantes. Hemos incluido mensajes de seguridad importantes en este manual y en el motor. Lea detenidamente estos mensajes.

Un mensaje de seguridad le avisa sobre los peligros potenciales que podrían causarle lesiones a usted y a los demás. Cada mensaje de seguridad viene precedido por un símbolo de alerta de seguridad  y una de las tres palabras, PELIGRO, ADVERTENCIA o PRECAUCION.

Estas palabras de indicación significan:

PELIGRO

Correrá el peligro de MUERTE o de HERIDAS GRAVES si no sigue las instrucciones.

ADVERTENCIA

Podrá correr el peligro de MUERTE o de HERIDAS GRAVES si no sigue las instrucciones.

PRECAUCION

Podrá correr el peligro de HERIDAS si no sigue las instrucciones.

Cada mensaje le explica en qué consiste el peligro, lo que puede suceder, y lo que usted debe hacer para evitar las heridas o para reducirlas.

MENSAJES PARA PREVENCIÓN DE DAÑOS

Encontrará también otros mensajes importantes que vienen precedidos por la palabra AVISO.

Esta palabra significa:

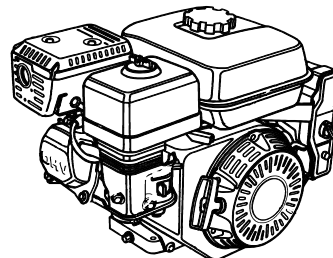
AVISO

Pueden producirse daños en el motor o en la propiedad de terceras personas si no sigue las instrucciones.

El propósito de estos mensajes es el de ayudar a evitar daños en el motor, en la propiedad de terceras personas, o en medio ambiente.

HONDA

MANUAL DEL PROPIETARIO GX120 · GX160 · GX200



ADVERTENCIA:

Los gases de escape de este producto contienen agentes químicos que, según el Estado de California, causan cáncer, defectos de nacimiento u otros efectos perjudiciales reproductivos.

CONTENIDO

INTRODUCCIÓN.....1	FILTRO DE AIRE.....10
MENSAJES DE SEGURIDAD.....1	Inspección.....10
INFORMACIÓN DE SEGURIDAD.....2	Limpieza.....11
SITUACIÓN DE LAS ETIQUETAS DE SEGURIDAD.....2	TAZA DE SEDIMENTOS.....12
SITUACIONES DE LOS COMPONENTES Y CONTROLES.....2	BUJÍA.....12
CARACTERÍSTICAS.....3	PARACHISPAS.....13
COMPROBACIONES PREVIAS A LA OPERACIÓN.....3	VELOCIDAD DE RALENTÍ.....13
OPERACIÓN.....4	SUGERENCIAS Y OBSERVACIONES DE UTILIDAD.....13
PRECAUCIONES DE SEGURIDAD DURANTE LA OPERACIÓN.....4	ALMACENAJE DEL MOTOR.....13
ARRANQUE DEL MOTOR.....4	TRANSPORTE.....14
PARADA DEL MOTOR.....5	CUIDADOS PARA PROBLEMAS INESPERADOS.....15
AJUSTE DE LA VELOCIDAD DEL MOTOR.....6	REEMPLAZO DE FUSIBLES.....15
SERVICIO DE SU MOTOR.....7	INFORMACIÓN TÉCNICA Y DEL CONSUMIDOR.....16
LA IMPORTANCIA DEL MANTENIMIENTO.....7	Situación del número de serie...16
MANTENIMIENTO.....7	Conexión de la batería para el motor de arranque eléctrico.....16
PRECAUCIONES DE SEGURIDAD.....7	Enlace de control remoto.....16
PROGRAMA DE MANTENIMIENTO...7	Modificaciones del carburador para funcionar a gran altitud...16
PARA REPOSTAR.....8	Combustibles oxigenados.....17
ACEITE DE MOTOR.....8	Información del sistema de control de las emisiones de escape.....17
Aceite recomendado.....8	Índice de aire.....18
Comprobación del nivel de aceite...9	Especificaciones.....18
Cambio del aceite.....9	Especificaciones de reglaje.....18
ACEITE DE LA CAJA DE REDUCCIÓN.....9	Información de referencia rápida.....19
Aceite recomendado.....9	Diagramas de conexiones.....19
Comprobación del nivel de aceite...9	INFORMACIÓN DEL CONSUMIDOR.....20
Cambio del aceite.....10	Información para encontrar distribuidores/concesionarios...20
	Información de servicio de clientes.....20

INFORMACIÓN DE SEGURIDAD

- Comprenda el funcionamiento de todos los controles y aprenda a parar con rapidez el motor en un caso de emergencia. Asegúrese de que el operador haya recibido una instrucción adecuada antes de operar el equipo.
- No permita que los niños operen el motor. Mantenga a los niños y animales apartados del lugar de operación.
- Los gases de escape del motor contienen monóxido de carbono que es venenoso. No ponga en marcha el motor si no hay una ventilación adecuada, y no ponga nunca en marcha el motor en un lugar cerrado.
- El motor y el sistema de escape se calientan mucho durante la operación. Mantenga el motor por lo menos a 1 metro de distancia de edificios y de otros equipos durante la operación. Mantenga apartados los materiales inflamables, y no ponga nada sobre el motor mientras esté en marcha.

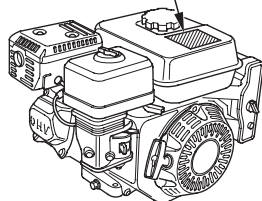
SITUACIÓN DE LAS ETIQUETAS DE SEGURIDAD

Esta etiqueta le avisa sobre peligros potenciales que pueden ocasionar heridas graves. Léala detenidamente.

Si la etiqueta se despegó o si resulta difícil de leer, solicite su reemplazo a su concesionario Honda.



Sólo para los tipos para Canadá:
El motor se sirve con la etiqueta en francés.



La gasolina es muy inflamable y explosiva. Pare el motor y espere a que se enfríe antes de repostar.

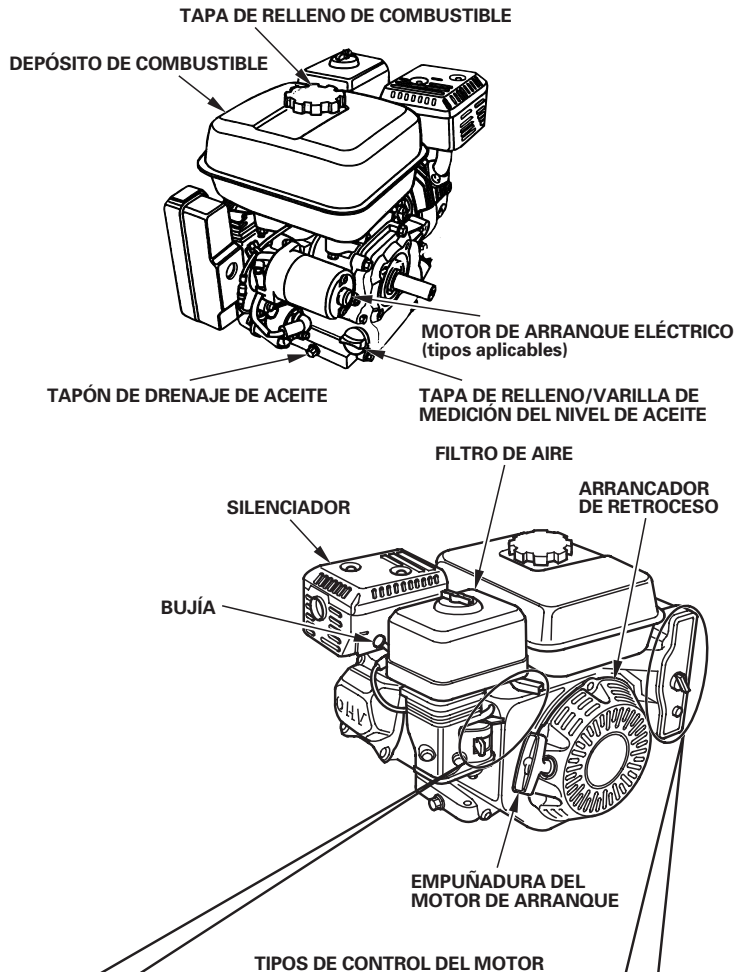


El motor emite gas monóxido de carbono que es tóxico y venenoso. No lo tenga en marcha en un lugar cerrado.



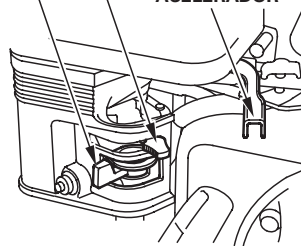
Lea el Manual del propietario antes de la operación.

SITUACIONES DE LOS COMPONENTES Y CONTROLES

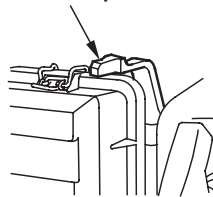


PALANCA DE LA VÁLVULA DE COMBUSTIBLE

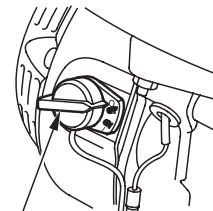
PALANCA DEL ESTRANGULADOR
PALANCA DEL ACELERADOR



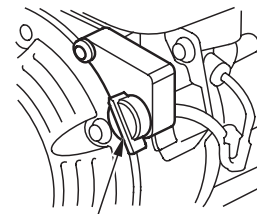
PALANCA DEL ESTRANGULADOR (filtro de aire del tipo sencillo)



EXCEPTO LOS TIPOS CON MOTOR DE ARRANQUE ELÉCTRICO

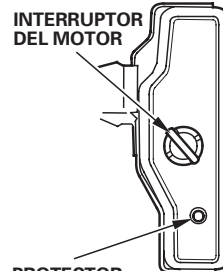


INTERRUPTOR DEL MOTOR



INTERRUPTOR DEL MOTOR

TIPOS CON MOTOR DE ARRANQUE ELÉCTRICO



PROTECTOR DEL CIRCUITO

CARACTERÍSTICAS

SISTEMA DE ALERTA DEL ACEITE OIL ALERT® (tipos aplicables)

El sistema de alerta de aceite Oil Alert® está diseñado para evitar daños en el motor causados por una cantidad insuficiente de aceite en el cárter. Antes de que el nivel del aceite que hay en el cárter pueda caer por debajo de un límite de seguridad, el sistema de alerta de aceite Oil Alert® para automáticamente el motor (el interruptor del motor queda en la posición ON).

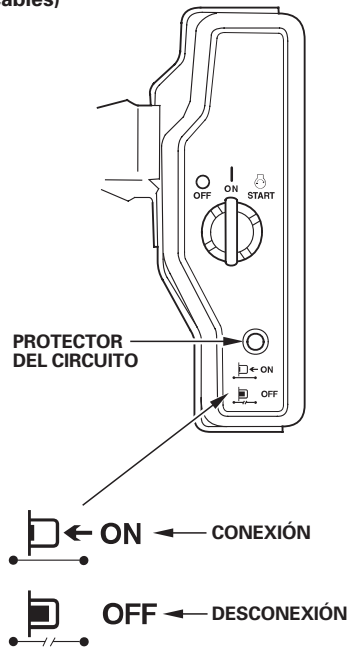
Si se para el motor y no puede volver a ponerse en marcha, compruebe el nivel del aceite de motor (vea la página 9) antes de realizar la localización y reparación de averías en otras partes.

PROTECTOR DEL CIRCUITO (tipos aplicables)

El protector del circuito protege el circuito de carga de la batería. Si se produce un cortocircuito o si se conecta la batería con las polaridades invertidas, se activará el protector del circuito.

El indicador verde del interior del protector del circuito sobresaldrá afuera para indicar que se ha activado el protector del circuito. En tales casos, determine la causa del problema y soluciónelo antes de reponer el protector del circuito.

Para efectuar la reposición, empuje el botón del protector del circuito.



COMPROBACIONES PREVIAS A LA OPERACIÓN

¿ESTÁ PREPARADO EL MOTOR PARA FUNCIONAR?

Por su propia seguridad, y para maximizar la vida de servicio de su equipo, es muy importante emplear un poco de tiempo para comprobar el estado del motor antes de ponerlo en funcionamiento. Antes de poner en marcha el motor, deberá asegurarse de haber solucionado cualquier problema encontrado, o de solicitar a su concesionario de servicio que lo solucione.

⚠ ADVERTENCIA

El mantenimiento inadecuado de este motor, o la falta de reparación de un problema antes de la operación, pueden ser causa de un mal funcionamiento en el que pueda correr el peligro de heridas graves o de muerte.

Efectúe siempre la inspección previa a la operación antes de cada operación, y solucione los problemas encontrados.

Antes de comenzar las comprobaciones previas a la operación, asegúrese de que el motor esté nivelado y que el interruptor del motor esté en la posición OFF.

Compruebe siempre los elementos siguientes antes de poner en marcha el motor:

Comprobación del estado general del motor

1. Mire en torno al motor y debajo del mismo para ver si hay indicios de fugas de aceite o de gasolina.
2. Extraiga el polvo o la suciedad excesiva, especialmente en torno al silenciador y al arrancador de retroceso.
3. Busque si hay indicios de daños.
4. Compruebe que todos los protectores y cubiertas estén en su lugar, y que todas las tuercas, pernos, y tornillos estén apretados.

Comprobación del motor

1. Compruebe el nivel de combustible (vea la página 8). Si comienza el trabajo con el depósito lleno, le ayudará a eliminar o reducir las interrupciones de la operación para repostar.
2. Compruebe el nivel del aceite de motor (vea la página 9). El motor puede dañarse si se utiliza con un nivel bajo de aceite.

El sistema de alerta de aceite Oil Alert® (tipos aplicables) parará automáticamente el motor antes de que el nivel de aceite caiga por debajo de los límites de seguridad. Sin embargo, para evitar la inconveniencia de una parada inesperada, compruebe siempre el nivel de aceite de motor antes de empezar.

3. Compruebe el nivel del aceite de la caja de reducción en los tipos aplicables (vea la página 9). El aceite es esencial para la operación de la caja de reducción y para obtener una larga vida de servicio.
4. Compruebe el elemento del filtro de aire (vea la página 10). Un elemento del filtro de aire sucio restringirá el flujo de aire al carburador, reduciendo el rendimiento del motor.
5. Compruebe el equipo que deba funcionar con este motor.

Revise las instrucciones proporcionadas con el equipo que deba funcionar con este motor para ver si hay precauciones y procedimientos que deban seguirse antes de poner en marcha el motor.

OPERACIÓN

PRECAUCIONES DE SEGURIDAD DURANTE LA OPERACIÓN

Antes de poner en marcha el motor por primera vez, revise la sección *INFORMACIÓN DE SEGURIDAD* en la página 2 y *COMPROBACIONES PREVIAS A LA OPERACIÓN* en la página 3.

⚠ ADVERTENCIA

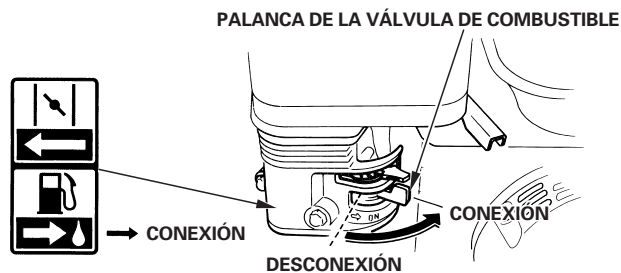
El gas de monóxido de carbono es tóxico. Su inhalación puede causar la pérdida del sentido y provocar incluso la muerte.

Evite los lugares o las acciones que le puedan exponer al monóxido de carbono.

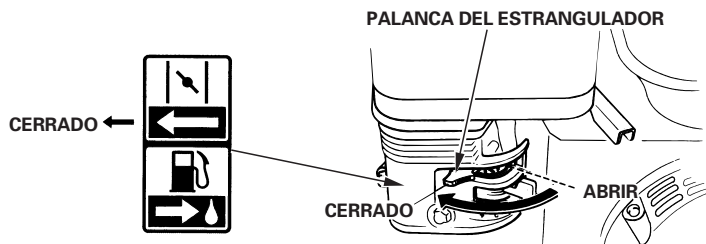
Revise las instrucciones proporcionadas con el equipo que deba funcionar con este motor para ver si hay precauciones de seguridad que deban observarse para poner en marcha, parar, y operar el motor.

ARRANQUE DEL MOTOR

1. Mueva la palanca de la válvula del combustible a la posición ON.



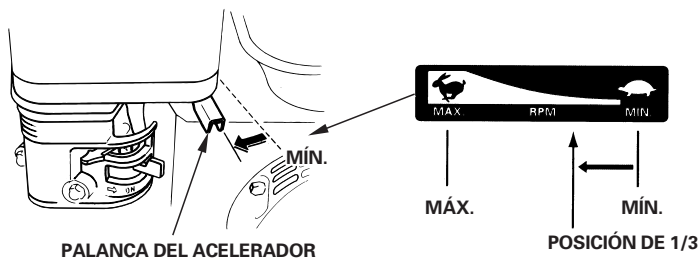
2. Para arrancar el motor cuando está frío, mueva la palanca del estrangulador a la posición CLOSED.



Para arrancar el motor cuando está caliente, deje la palanca del estrangulador en la posición OPEN.

Algunas aplicaciones del motor emplean un control del estrangulador montado a distancia en lugar de la palanca del estrangulador montada en el motor aquí mostrada. Consulte las instrucciones suministradas por el fabricante del equipo.

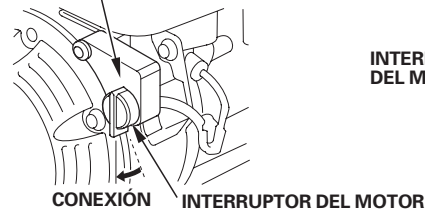
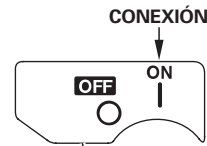
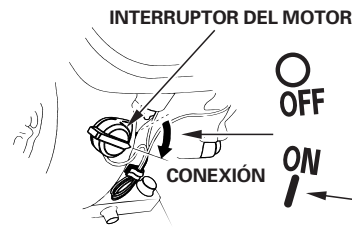
3. Aleje la palanca del acelerador de la posición MIN., moviéndola aproximadamente 1/3 parte del recorrido hacia la posición MAX.



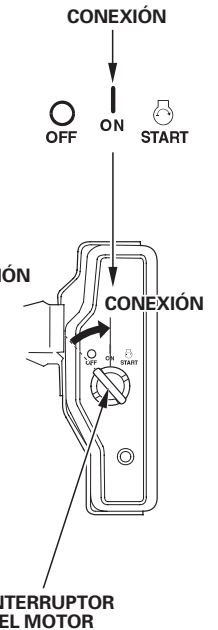
Algunas aplicaciones del motor emplean un control del acelerador montado a distancia en lugar de la palanca del acelerador montada en el motor aquí mostrada. Consulte las instrucciones suministradas por el fabricante del equipo.

4. Gire el interruptor del motor a la posición ON.

EXCEPTO LOS TIPOS CON MOTOR DE ARRANQUE ELÉCTRICO



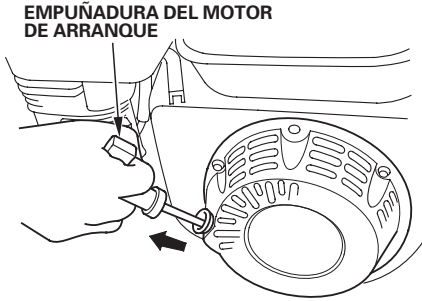
TIPOS CON MOTOR DE ARRANQUE ELÉCTRICO



5. Opere el arrancador.

ARRANCADOR DE RETROCESO:

Tire ligeramente de la empuñadura del arrancador hasta que note resistencia, y entonces tire con fuerza. Deje que la empuñadura del arrancador retorne con suavidad.



AVISO

No permita que la empuñadura del arrancador retroceda con fuerza contra el motor. Haga que retorne con suavidad para evitar daños en el arrancador.

MOTOR DE ARRANQUE ELÉCTRICO
(tipos aplicables):

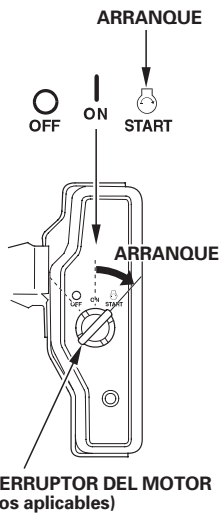
Gire la llave a la posición START, y reténgala ahí durante hasta que se ponga en marcha el motor.

Si el motor no se pone en marcha antes de 5 segundos, suelte la llave, y espere 10 segundos por lo menos antes de volver a operar el motor de arranque.

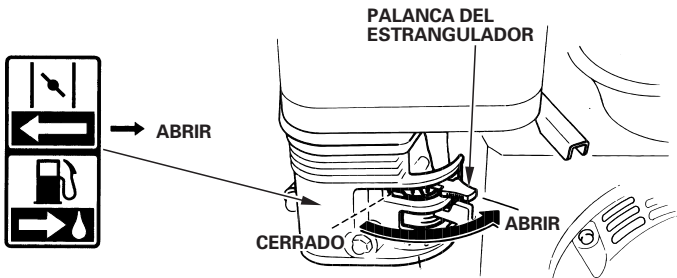
AVISO

Si se utiliza el motor de arranque eléctrico durante más de 5 segundos seguidos, el motor de arranque se sobrecalentará y puede averiarse.

Cuando el motor se ponga en marcha, suelte la llave dejándola que retorne a la posición ON.



6. Si se ha movido la palanca del estrangulador a la posición CLOSED para arrancar el motor, muévala gradualmente a la posición OPEN a medida que se va calentando el motor.

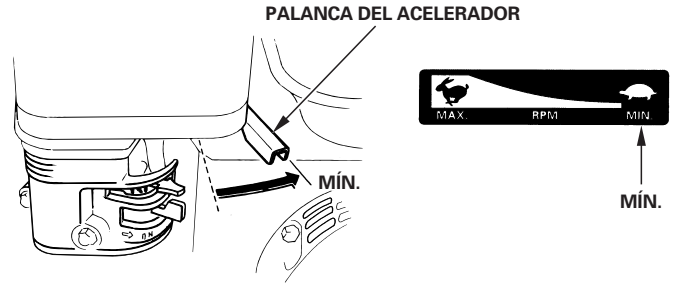


PARADA DEL MOTOR

Para parar el motor en un caso de emergencia, simplemente gire el interruptor del motor a la posición OFF. En situaciones normales, emplee el procedimiento siguiente. Consulte las instrucciones suministradas por el fabricante del equipo.

1. Mueva la palanca del acelerador a la posición MIN.

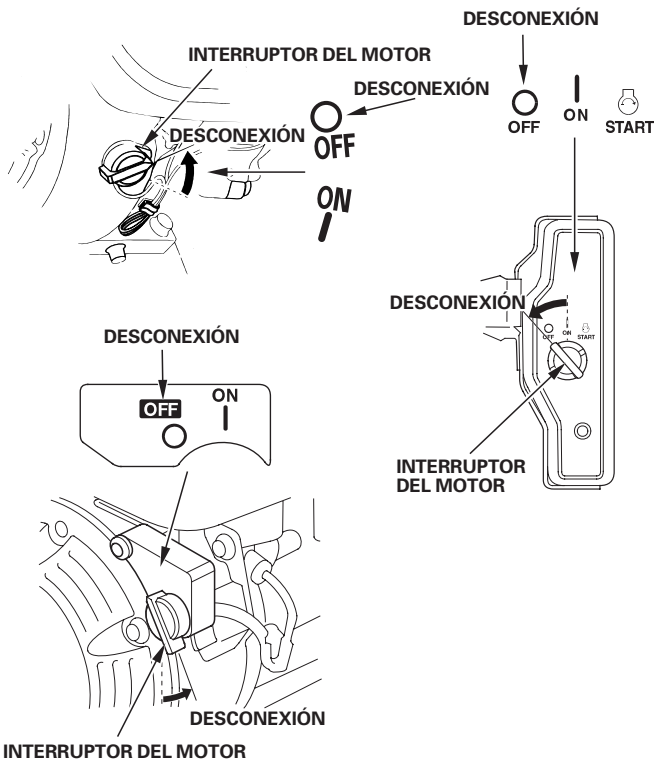
Algunas aplicaciones del motor emplean un control del acelerador montado a distancia en lugar de la palanca del acelerador montada en el motor aquí mostrada.



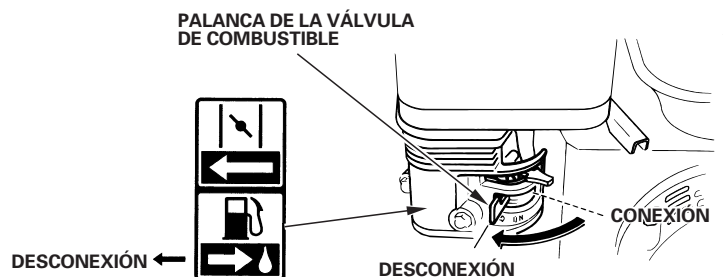
2. Gire el interruptor del motor a la posición OFF.

EXCEPTO LOS TIPOS CON MOTOR DE ARRANQUE ELÉCTRICO

TIPOS CON MOTOR DE ARRANQUE ELÉCTRICO



3. Gire la palanca de la válvula del combustible a la posición OFF.

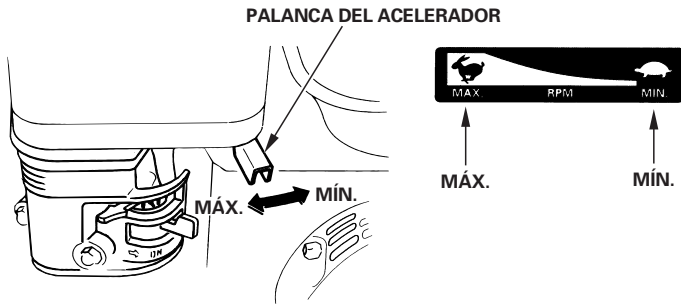


AJUSTE DE LA VELOCIDAD DEL MOTOR

Ajuste la palanca del acelerador a la velocidad deseada del motor.

Algunas aplicaciones del motor emplean un control del acelerador montado a distancia en lugar de la palanca del acelerador montada en el motor aquí mostrada. Consulte las instrucciones suministradas por el fabricante del equipo.

Para ver las recomendaciones de la velocidad del motor, consulte el manual de instrucciones suministrado con el equipo que deba funcionar con este motor.



SERVICIO DE SU MOTOR

LA IMPORTANCIA DEL MANTENIMIENTO

El buen mantenimiento es esencial para conseguir una operación segura, económica y exenta de problemas. Ayudará también a reducir la contaminación.

⚠ ADVERTENCIA

El mantenimiento inadecuado, o la falta de reparación de un problema antes de la operación, pueden ser causa de un mal funcionamiento en el que pueda correr el peligro de heridas graves o de muerte.

Siga siempre las recomendaciones de inspección y mantenimiento y los programas de este manual del propietario.

Para ayudarle a cuidar adecuadamente el motor, las páginas siguientes incluyen un programa de mantenimiento, procedimientos de inspección rutinarios, y simple procedimientos de mantenimiento empleando herramientas manuales básicas. Las otras tareas de servicio que son más difíciles, o que requieren herramientas especiales, es mejor que sean realizadas por profesionales y normalmente las lleva a cabo un mecánico de Honda u otro mecánico cualificado.

El programa de mantenimiento se aplica a las condiciones normales de operación. Si opera el motor en condiciones severas, tales como con una carga grande continuamente o a altas temperaturas, o si lo utiliza en condiciones con mucha humedad o polvo, consulte a su concesionario de servicio para que le diga las recomendaciones aplicables a sus necesidades y aplicaciones individuales.

El mantenimiento, reemplazo o reparación de los dispositivos y sistemas de control de las emisiones de escape pueden efectuarse en cualquier establecimiento de reparaciones de motores o por cualquier individuo, empleando partes que estén "homologadas" según las normas EPA.

SEGURIDAD DEL MANTENIMIENTO

A continuación se mencionan algunas de las precauciones de seguridad más importantes. No obstante, no podemos avisarle sobre todos los peligros concebibles que pueden surgir al realizar el mantenimiento. Sólo usted será quien pueda decidir si debe o no llevar a cabo una tarea dada.

⚠ ADVERTENCIA

Si no sigue correctamente las instrucciones y precauciones para el mantenimiento, correrá el peligro de graves heridas o de muerte.

Siga siempre con cuidado los procedimientos y precauciones de este manual del propietario.

PRECAUCIONES DE SEGURIDAD

- Asegúrese de que el motor esté desconectado antes de comenzar cualquier trabajo de mantenimiento o de reparación. De este modo eliminará muchos peligros potenciales:
 - **Envenenamiento por monóxido de carbono de los gases de escape del motor.**
Asegúrese de que haya una ventilación adecuada siempre que tenga el motor en marcha.
 - **Quemaduras en las partes calientes.**
Espere a que se enfríen el motor y el sistema de escape antes de tocarlos.
 - **Daños debidos a las partes en movimiento.**
No ponga en marcha el motor a menos que se lo indiquen las instrucciones.

- Lea las instrucciones antes de empezar, y asegúrese de disponer de las herramientas y conocimientos necesarios.
- Para reducir la posibilidad de incendio o explosión, tenga cuidado cuando trabaje cerca de gasolina. Emplee sólo solventes ininflamables, y no emplee gasolina, para limpiar las partes. Mantenga apartados los cigarrillos, las chispas y el fuego de las partes relacionadas con el combustible.

Recuerde que su concesionario de servicio autorizado Honda es quien mejor conoce su motor y que está completamente equipado para su mantenimiento y reparación.

Para asegurar la mejor calidad y fiabilidad, emplee sólo partes nuevas genuinas de Honda o sus equivalentes para las reparaciones y reemplazos.

PROGRAMA DE MANTENIMIENTO

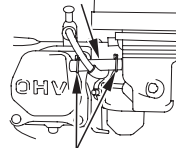
PERÍODO DE SERVICIO REGULAR (3) Efectúelo a cada intervalo indicado de meses o de horas de funcionamiento, lo que primero acontezca.	Cada utilización	Primer mes o 20 horas	Cada 3 meses o 50 horas	Cada 6 meses o 100 horas	Cada año o 300 horas	Consulte la página
ELEMENTO						
Aceite de motor	Comprobar el nivel	○				9
	Cambiar		○		○	9
Aceite de la caja de reducción (tipos aplicables)	Comprobar el nivel	○				9 – 10
	Cambiar		○		○	10
Filtro de aire	Comprobar	○				10
	Limpiar		○ (1)	○ * (1)		11 – 12
	Reemplazar				○ * *	
Taza de sedimentos	Limpiar			○		12
Bujía	Comprobar-ajustar			○		12
	Reemplazar				○	
Parachispas (tipos aplicables)	Limpiar			○		13
Velocidad de ralentí	Comprobar-ajustar				○ (2)	13
Holgura de válvulas	Comprobar-ajustar				○ (2)	Manual de taller
Cámara de combustión	Limpiar	Después de cada 500 horas (2)				Manual de taller
Depósito y filtro de combustible	Limpiar			○ (2)		Manual de taller
Tubo de combustible	Comprobar	Cada 2 años (Reemplazar si es necesario) (2)				Manual de taller

- * • Sólo el tipo con carburador de ventilación interna con elemento doble.

- Tipo ciclónico cada 6 meses o 150 horas.

TIPO DE CARBURADOR DE VENTILACIÓN INTERNA

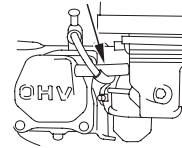
TUBO DEL RESPIRADERO



RETENEDOR DEL TUBO

TIPO ESTÁNDAR

TUBO DEL RESPIRADERO



- * * • Reemplace sólo el tipo de elemento de papel.
- Tipo ciclónico cada 2 años o 600 horas.

- (1) Efectúe el servicio con más frecuencia cuando lo utilice en zonas polvorientas.
- (2) El servicio de estas partes deberá realizarlo su concesionario de servicio, a menos que usted disponga de las herramientas adecuadas y posea suficientes conocimientos mecánicos. Consulte el manual de taller Honda para ver los procedimientos de servicio.
- (3) Para aplicaciones comerciales, registre las horas de funcionamiento para determinar los intervalos apropiados para el mantenimiento.

Si no sigue este programa de mantenimiento pueden producirse fallas que no entran en la garantía.

PARA REPOSTAR

Combustible recomendado

Gasolina sin plomo	
EE.UU.	Valor de octanos de bomba de 86 o más alto
Excepto EE.UU.	Valor de octanos de investigación de 91 o más alto
	Valor de octanos de bomba de 86 o más alto

Este motor está certificado para funcionar con gasolina sin plomo. La gasolina sin plomo produce menos acumulaciones en el motor y en la bujía y extiende la vida de servicio del sistema de escape.

⚠ ADVERTENCIA

La gasolina es muy inflamable y explosiva, y correrá el peligro de quemaduras o de heridas graves al repostar.

- Pare el motor y mantenga apartados el calor, las chispas, y el fuego.
- Reposte sólo al aire libre.
- Frote inmediatamente el líquido derramado.

AVISO

El combustible puede dañar la pintura y ciertos tipos de plástico. Tenga cuidado para que no se derrame combustible mientras llena el depósito de combustible. Lo daños causados por el combustible derramado no están cubiertos por la garantía limitada del distribuidor.

No emplee nunca gasolina pasada o sucia ni mezcla de aceite/gasolina. Evite la entrada de suciedad o agua en el depósito de combustible.

Es posible que oiga de vez en cuando ligeras "detonaciones" o "golpeteo por autoencendido" (un ruido fuerte de golpeteo) mientras opera con grandes cargas. No se preocupe por ello.

Si las detonaciones o el golpeteo por autoencendido se producen a una velocidad estable del motor, con una carga normal, cambie de marca de gasolina. Si las detonaciones o el golpeteo por autoencendido son persistentes, consulte a un concesionario de servicio autorizado Honda.

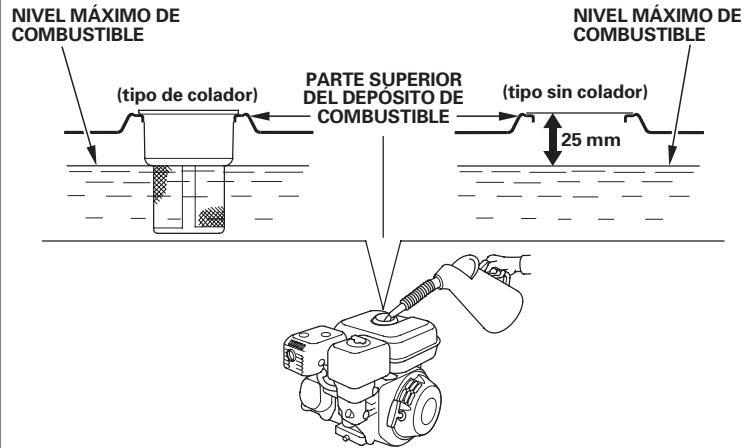
AVISO

El motor puede dañarse si se utiliza con detonaciones o golpeteo por autoencendido persistentes.

Si se utiliza el motor con detonaciones o golpeteo por autoencendido persistentes, se considera que es utilización indebida, y la garantía limitada del distribuidor no cubre las partes dañadas por la utilización indebida.

1. Con el motor parado y sobre una superficie nivelada, extraiga la tapa del depósito de combustible y compruebe el nivel del combustible. Llene el depósito si el nivel de combustible es bajo.

2. Añada combustible hasta la parte inferior del límite del nivel de combustible del depósito de combustible. No llene excesivamente. Frote el combustible que se haya derramado antes de arrancar el motor.



Llene el depósito en un lugar bien ventilado antes de poner en marcha el motor. Si el motor ha estado funcionando, espere a que se enfríe. Reposte con cuidado para que no se derrame combustible. No llene por completo el depósito de combustible. Llene el depósito hasta aproximadamente 25 mm por debajo de la parte superior del depósito de combustible para permitir la expansión del combustible. Es posible que sea necesario reducir el nivel del combustible dependiendo de las condiciones de operación. Después de repostar, apriete la tapa del depósito de combustible con seguridad.

No reposte nunca el motor dentro de un edificio donde los gases de la gasolina pudieran llegar a fuegos o chispas. Mantenga la gasolina apartada de las luces piloto de los aparatos, barbacoas, aparatos eléctricos, herramientas eléctricas, etc.

El combustible derramado no sólo le hará correr el peligro de incendio, sino que además causa daños en el medio ambiente. Frote inmediatamente el líquido derramado.

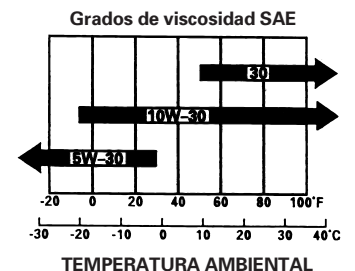
Para ver la información relacionada con combustibles oxigenados, consulte la página 17.

ACEITE DE MOTOR

El aceite es un factor muy importante que afecta el rendimiento y la vida de servicio. Emplee aceite detergente para automóviles de 4 tiempos.

Aceite recomendado

Emplee aceite de motor de 4 tiempos que satisfaga o exceda los requisitos para la clasificación de servicio API de SJ, SL, o equivalente. Compruebe siempre la etiqueta de servicio API del recipiente de aceite para asegurarse que incluye las letras SJ, SL, o equivalente.



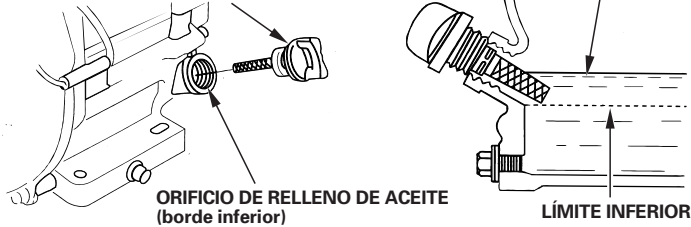
Se recomienda el SAE 10W-30 para aplicaciones generales. Las otras viscosidades mostradas en la gráfica pueden utilizarse cuando la temperatura media de su zona está dentro del margen indicado.

Comprobación del nivel de aceite

Compruebe el nivel del aceite de motor con el motor parado y en una posición nivelada.

1. Extraiga la tapa de relleno/varilla de medición del nivel de aceite y frótelas para limpiarla.
2. Inserte la tapa de relleno/varilla de medición del nivel de aceite en el cuello de relleno como se muestra, pero no la enrosque, y luego extráigala para comprobar el nivel de aceite.
3. Si el nivel de aceite está cerca o por debajo de la marca del límite inferior de la varilla de medición del nivel, llene aceite del recomendado (vea la página 8) hasta la marca del límite superior (borde inferior del orificio de relleno de aceite). No llene excesivamente.
4. Vuelva a instalar la tapa de relleno/varilla de medición del nivel de aceite.

TAPA DEL ORIFICIO DE LLENADO DE ACEITE/ VARILLA INDICADORA DE NIVEL



AVISO

El motor puede dañarse si se utiliza con un nivel bajo de aceite.

El sistema de alerta de aceite Oil Alert® (tipos aplicables) parará automáticamente el motor antes de que el nivel de aceite caiga por debajo del límite de seguridad. Sin embargo, para evitar la inconveniencia de una parada inesperada, compruebe siempre el nivel de aceite de motor antes de empezar.

Cambio del aceite

Drene el aceite usado cuando el motor esté caliente. El aceite caliente se drena con más rapidez y por completo.

1. Ponga un recipiente adecuado debajo del motor para recibir el aceite usado, y extraiga entonces la tapa de relleno/varilla de medición del nivel de aceite, el tapón de drenaje de aceite y la arandela.
2. Deje que el aceite usado se drene por completo, y vuelva a instalar entonces el tapón de drenaje de aceite y una arandela nueva, y apriete con seguridad el tapón de drenaje de aceite.

Tire el aceite de motor usado de manera que sea compatible con el medio ambiente. Le aconsejamos que lleve el aceite usado en un recipiente cerrado al centro de reciclaje de su localidad o a una gasolinera para que se encarguen de su eliminación. No lo tire a la basura, no lo derrame a la tierra, ni tampoco por una cloaca.

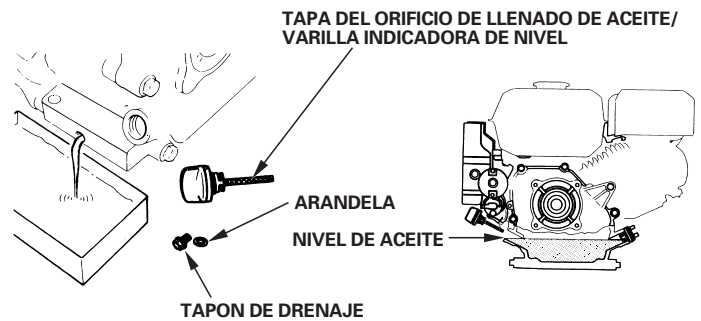
3. Con el motor en una posición nivelada, llene aceite del recomendado hasta la marca del límite superior (parte inferior del orificio de relleno de aceite) (vea la página 8).

AVISO

El motor puede dañarse si se utiliza con un nivel bajo de aceite.

El sistema de alerta de aceite Oil Alert® (tipos aplicables) parará automáticamente el motor antes de que el nivel de aceite caiga por debajo del límite de seguridad. Sin embargo, para evitar la inconveniencia de una parada inesperada, llene hasta el límite superior, y compruebe con regularidad el nivel del aceite.

4. Instale la tapa de relleno/varilla de medición del nivel de aceite y apriétela con seguridad.



ACEITE DE LA CAJA DE REDUCCIÓN (tipos aplicables)

Aceite recomendado

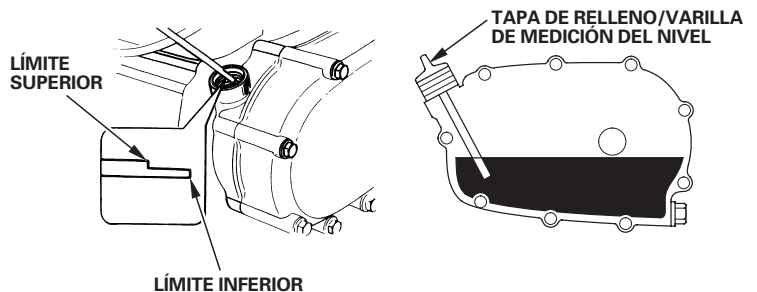
Emplee el mismo aceite que el recomendado para el motor (vea la página 8).

Comprobación del nivel de aceite

Compruebe el nivel del aceite de la caja de reducción con el motor parado y en una posición nivelada.

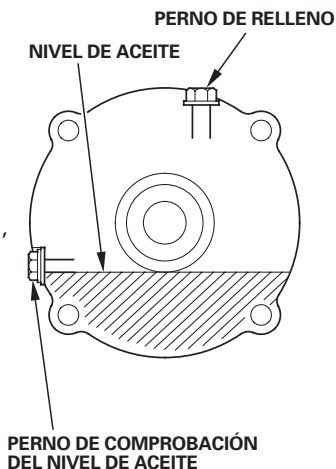
2 : 1 Caja de reducción con embrague centrífugo

1. Extraiga la tapa de relleno/varilla de medición del nivel de aceite y frótelas para limpiarla.
2. Inserte y extraiga la tapa de relleno/varilla de medición del nivel de aceite sin enroscarla en el orificio de relleno. Compruebe el nivel del aceite indicado en la tapa de relleno/varilla de medición del nivel de aceite.
3. Si el nivel de aceite es bajo, añada aceite del recomendado hasta que llegue a la marca del límite superior de la varilla de medición del nivel.
4. Enrosque la tapa de relleno/varilla de medición del nivel de aceite y apriétela con seguridad.



6 : 1 Caja de reducción

1. Extraiga el perno de comprobación del nivel de aceite y la arandela, y mire si el nivel de aceite llega al borde del orificio del perno.
2. Si el nivel de aceite está por debajo del orificio del perno de comprobación, extraiga el perno de relleno y la arandela. Añada aceite del recomendado (vea la página 9) hasta que empiece a rebosar por el orificio del perno de comprobación.
3. Instale el perno de comprobación del nivel de aceite, el perno de relleno y las arandelas. Apriételos con seguridad.



Cambio del aceite

2 : 1 Caja de reducción con embrague centrífugo

Drene el aceite usado mientras el motor esté caliente. El aceite caliente se drena con más rapidez y por completo.

1. Ponga un recipiente adecuado debajo de la caja de reducción para recibir el aceite usado, y extraiga entonces la tapa de relleno/varilla de medición del nivel de aceite, el tapón de drenaje y la arandela.
2. Deje que el aceite usado se drene por completo, y vuelva a instalar entonces el tapón de drenaje y una arandela nueva, y apriételo con seguridad.

Tire el aceite de motor usado de manera que sea compatible con el medio ambiente. Le aconsejamos que lleve el aceite usado en un recipiente cerrado al centro de reciclaje de su localidad o a una gasolinera para que se encarguen de su eliminación. No lo tire a la basura, no lo derrame a la tierra ni tampoco por una cloaca.

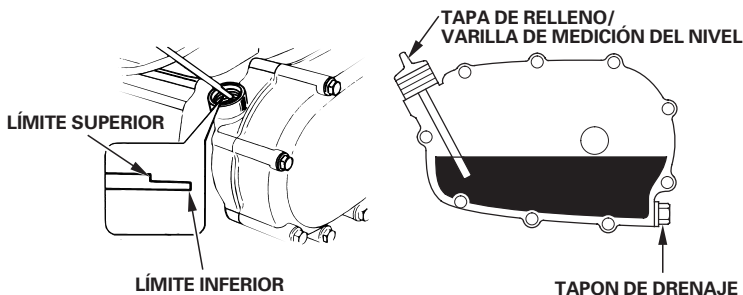
3. Teniendo el motor en una posición nivelada, rellene aceite del recomendado (vea la página 9) hasta la marca del límite superior de la varilla de medición del nivel. Para comprobar el nivel de aceite, inserte la varilla de medición del nivel sin enroscarla en el orificio de relleno.

Capacidad de aceite de la caja de reducción: 0,50 ℓ

AVISO

La caja de reducción puede dañarse si se utiliza el motor con un nivel bajo de aceite de la caja de reducción.

4. Enrosque con seguridad la tapa de relleno/varilla de medición del nivel.



6 : 1 Transmisión de reducción

Drene el aceite usado mientras el motor esté caliente. El aceite caliente se drena con más rapidez y por completo.

1. Ponga un recipiente adecuado debajo de la caja de reducción para recibir el aceite usado, y extraiga entonces el perno de relleno, el perno de comprobación del nivel de aceite y las arandelas.
2. Drene por completo el aceite usado en el recipiente inclinando el motor hacia el orificio del perno de comprobación del nivel de aceite.

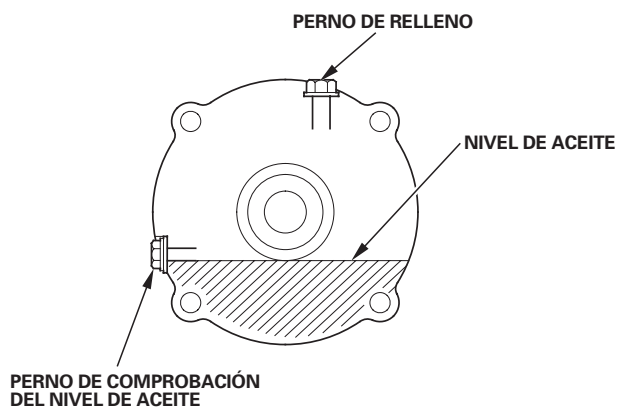
Tire el aceite de motor usado de manera que sea compatible con el medio ambiente. Le aconsejamos que lleve el aceite usado en un recipiente cerrado al centro de reciclaje de su localidad o a una gasolinera para que se encarguen de su eliminación. No lo tire a la basura, no lo derrame a la tierra ni tampoco por una cloaca.

3. Con el motor en una posición nivelada, llene aceite del recomendado hasta que empiece a rebosar por el orificio del perno de comprobación (vea la página 9).

AVISO

La caja de reducción puede dañarse si se utiliza el motor con un nivel bajo de aceite de la caja de reducción.

4. Vuelva a instalar el perno de comprobación del nivel de aceite, el perno de relleno y las arandelas nuevas, y apriételos con seguridad.



FILTRO DE AIRE

Un filtro de aire sucio restringirá el flujo de aire al carburador, reduciendo el rendimiento del motor. Si utiliza el motor en lugares muy polvorientos, limpie el filtro de aire con mayor frecuencia que la que se especifica en el PROGRAMA DE MANTENIMIENTO.

AVISO

Si se pone en funcionamiento el motor sin el filtro de aire, o con un filtro de aire dañado, la suciedad se introducirá en el motor, ocasionando su rápido desgaste. Este tipo de daños no está cubierto por la garantía limitada del distribuidor.

Inspección

Extraiga la cubierta del filtro de aire e inspeccione los elementos del filtro. Limpie o reemplace los elementos sucios del filtro. Reemplace siempre los elementos del filtro si están dañados. Si está provisto de un filtro de aire de baño en aceite, compruebe también el nivel de aceite.

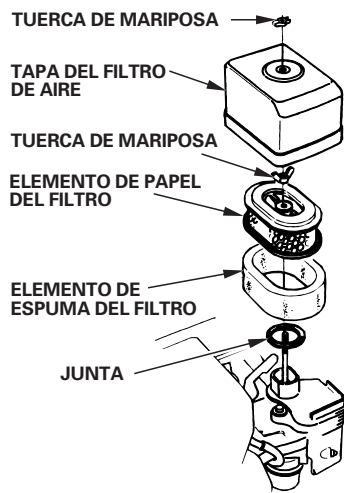
Para ver las instrucciones que se aplican al elemento y al filtro de aire de su tipo de motor, consulte las páginas 11 – 12.

Limpieza

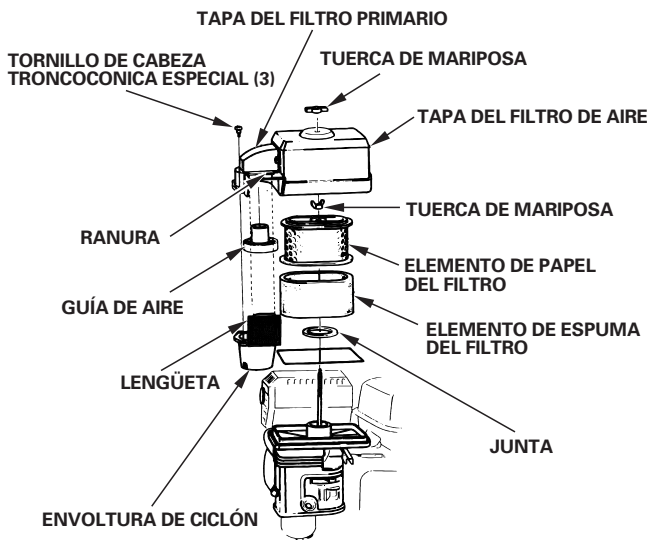
Tipos de filtro de elemento doble

1. Extraiga la tuerca de aletas de la cubierta del filtro de aire y extraiga la cubierta.
2. Extraiga la tuerca de aletas del filtro de aire, y extraiga el filtro.
3. Extraiga el elemento de espuma del elemento de papel.
4. Inspeccione los dos elementos del filtro de aire, y reemplácelos si están dañados. Reemplace siempre el elemento de papel del filtro de aire a los intervalos programados (vea la página 7).

TIPO DE ELEMENTO DOBLE DEL FILTRO ESTÁNDAR



TIPO DE ELEMENTO DOBLE DEL FILTRO CICLÓNICO



5. Limpie los elementos del filtro de aire si debe volver a utilizarlos.

Elemento de papel del filtro de aire: Golpee varias veces el elemento del filtro contra una superficie dura para sacar la suciedad, o sople aire comprimido [sin exceder 207 kPa, (2,1 kgf/cm²)] por el elemento del filtro desde el interior. No trate nunca de cepillar la suciedad; el cepillo forzaría la suciedad al interior de las fibras.

Elemento de espuma del filtro de aire: Límpielo en agua tibia con jabón, aclárelo y espere a que se seque por completo. También podrá limpiarlo en solvente inflamable y dejarlo secar. Sumerja el elemento del filtro en aceite de motor limpio, y luego exprima todo el aceite excesivo. Si se deja demasiado aceite en la espuma, el motor producirá humo cuando se arranque.

6. SÓLO EL TIPO CICLÓNICO: Extraiga los tres tornillos de cabeza troncocónica de la tapa del filtro primario, y extraiga entonces la caja ciclónica y la guía de aire. Lave las partes con agua, séquelas por completo, y vuévalas a montar.

Asegúrese de instalar la guía de aire como se muestra en la ilustración.

Instale la caja ciclónica de modo que la lengüeta de admisión se acople en la ranura de la tapa del filtro primario.

7. Frote la suciedad desde el interior de la cubierta del filtro de aire y la cubierta, empleando un paño humedecido. Tenga cuidado para evitar que la suciedad se introduzca en el conducto de aire que va al carburador.

8. Ponga el elemento de espuma del filtro de aire sobre el elemento de papel, y vuelva a instalar el filtro de aire montado. Asegúrese de que la empaquetadura esté en su lugar de debajo del filtro de aire. Apriete con seguridad la tuerca de aletas del filtro de aire.

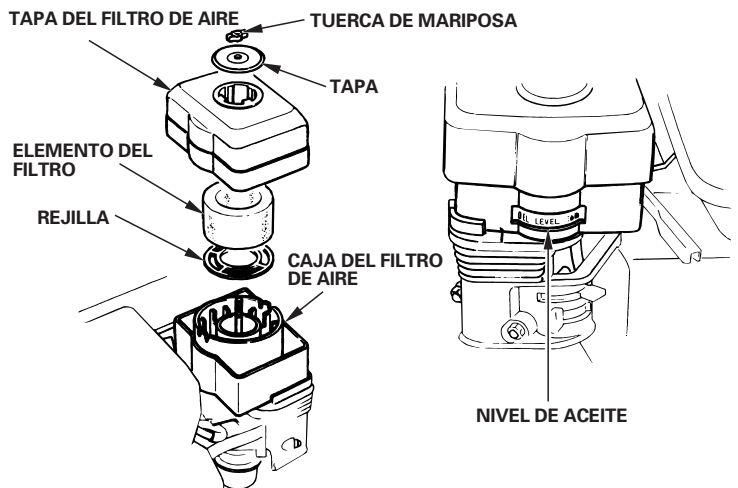
9. Instale la cubierta del filtro de aire, y apriete con seguridad la tuerca de aletas.

Tipo de baño en aceite

1. Extraiga la tuerca de aletas, y extraiga la tapa y la cubierta del filtro de aire.
2. Extraiga el elemento del filtro de aire de la cubierta. Lave la cubierta y el elemento del filtro en agua tibia enjabonada, aclárelos, y espere a que se sequen por completo. También podrá limpiarlos en solvente inflamable y dejarlos secar.
3. Sumerja el elemento del filtro en aceite de motor limpio, y luego exprima todo el aceite excesivo. El motor producirá humo si se deja demasiado aceite en la espuma.
4. Vacíe el aceite usado de la caja del filtro de aire, lave la suciedad que se haya acumulado con solvente inflamable, y seque la caja.
5. Llene la caja del filtro de aire con el mismo aceite que el recomendado para el motor, hasta la marca del nivel OIL LEVEL (vea la página 8).

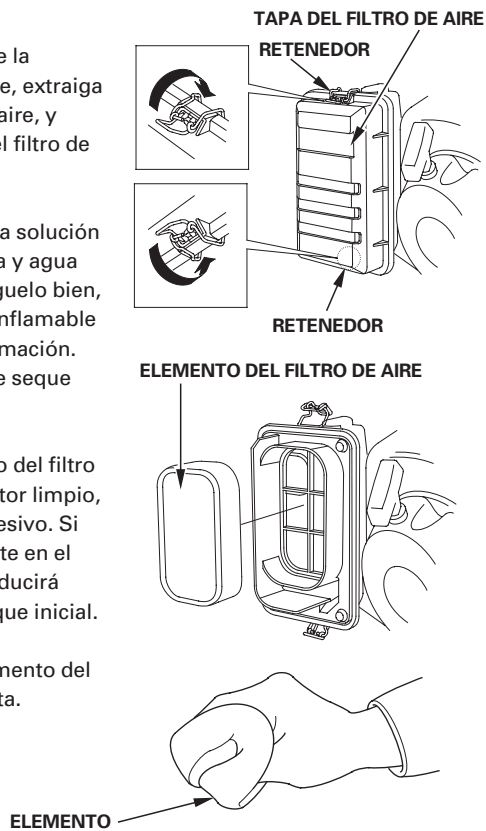
Capacidad de aceite: 60 cm³

6. Vuelva a montar el filtro de aire, y apriete con seguridad la tuerca de aletas.



Tipos de bajo perfil

1. Abra los retenedores de la cubierta del filtro de aire, extraiga la cubierta del filtro de aire, y extraiga el elemento del filtro de aire.
2. Lave el elemento en una solución de detergente de cocina y agua caliente, y luego enjuáguelo bien, o lávelo en solvente ininflamable o de alto punto de inflamación. Deje que el elemento se seque por completo.
3. Humedezca el elemento del filtro de aire en aceite de motor limpio, y exprima el aceite excesivo. Si se deja demasiado aceite en el elemento, el motor producirá humo durante el arranque inicial.
4. Vuelva a instalar el elemento del filtro de aire y la cubierta.



TAZA DE SEDIMENTOS

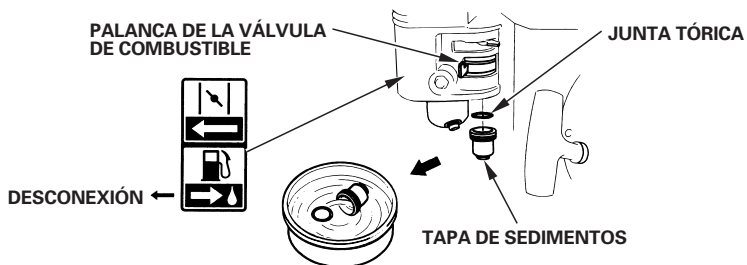
Limpieza

⚠ ADVERTENCIA

La gasolina es muy inflamable y explosiva, y correrá el peligro de quemaduras o de heridas graves al manipular el combustible.

- Pare el motor y mantenga apartados el calor, las chispas, y el fuego.
- Manipule el combustible sólo en exteriores.
- Frote inmediatamente el líquido derramado.

1. Mueva la válvula de combustible en la posición OFF, y extraiga entonces la taza de sedimentos y la junta tórica.
2. Lave la taza de sedimentos y la junta tórica con solvente ininflamable, y séquelas bien.



3. Ponga la junta tórica en la válvula de combustible, e instale la taza de sedimentos. Apriete con seguridad la taza de sedimentos.

4. Mueva la válvula de combustible a la posición ON, y compruebe si hay fugas. Si hay alguna fuga, reemplace la junta tórica.

BUJÍA

Bujías recomendadas: BPR6ES (NGK)
W20EPR-U (DENSO)

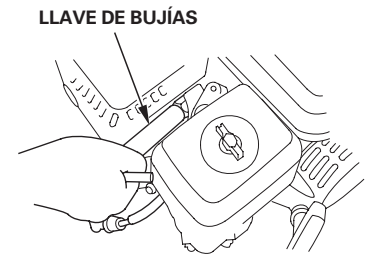
La bujía recomendada es del margen térmico correcto para las temperaturas normales de operación del motor.

AVISO

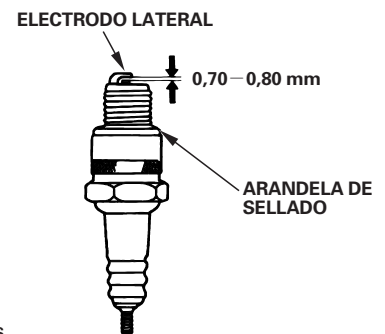
Una bujía incorrecta puede causar daños en el motor.

Para obtener un buen rendimiento, el huelgo de los electrodos de la bujía deberá ser correcto y no deberá haber carbonilla acumulada.

1. Desconecte la tapa de la bujía, y saque la suciedad que pudiera haber en torno al área de la bujía.
2. Extraiga la bujía con una llave para bujías de 13/16 pulgadas.
3. Inspeccione la bujía. Reemplácela si está dañada, muy sucia, si la arandela de sellado está en mal estado, o si el electrodo está gastado.



4. Mida el huelgo del electrodo de la bujía con un calibre de espesores del tipo de alambre. Corrija el huelgo, si es necesario, doblando con cuidado el electrodo lateral. El huelgo deberá ser: 0,70—0,80 mm



5. Instale con cuidado la bujía, con la mano, para evitar que se dañen las roscas.
6. Después de haberse asentado la bujía, apriétela con una llave de bujías de 13/16 pulgadas para comprimir la arandela de sellado.
7. Cuando instale una bujía nueva, apriétela 1/2 de vuelta después de haberse asentado la bujía para comprimir la arandela.
8. Cuando vuelva a instalar la bujía original, apriétela 1/8—1/4 de vuelta después de haberse asentado la bujía para comprimir la arandela.

AVISO

Una bujía floja puede causar sobrecalentamiento y daños en el motor. El apriete excesivo de la bujía puede dañar las roscas de la culata de cilindros.

9. Instale la tapa de la bujía en la bujía.

PARACHISPAS (tipos aplicables)

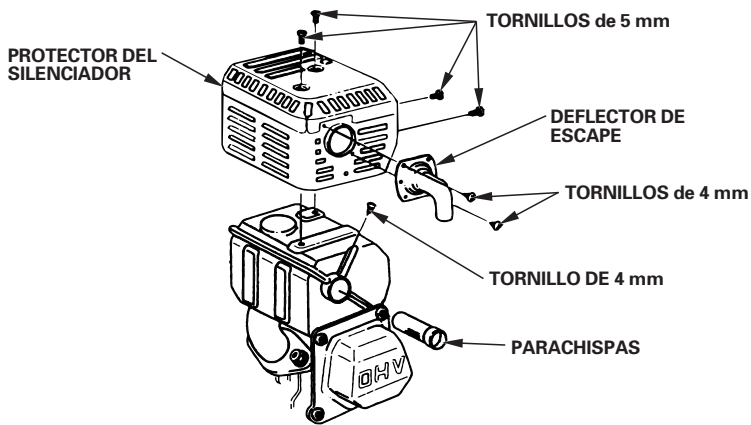
El parachispas puede ser el estándar o uno opcional, dependiendo del tipo de motor. En algunas áreas, es ilegal operar un motor sin un parachispas. Verifique las leyes y regulaciones locales. Los concesionarios de servicio autorizados Honda tienen disponibles parachispas.

El servicio del parachispas debe realizarse cada 100 horas para que pueda seguir funcionando como ha sido diseñado.

Si el motor había estado en marcha, el silenciador estará caliente. Deje que se enfríe antes de realizar el servicio del parachispas.

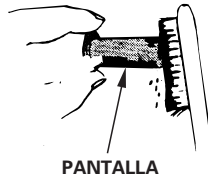
Extracción del parachispas

1. Extraiga los tres tornillos de 4 mm del deflector de escape, y extraiga el deflector (tipos aplicables).
2. Extraiga los cuatro tornillos de 5 mm del protector del silenciador y extraiga el protector del silenciador.
3. Extraiga el tornillo de 4 mm del parachispas, y extraiga el parachispas del silenciador.



Inspección y limpieza del parachispas

1. Emplee un cepillo para sacar la carbonilla acumulada en la rejilla del parachispas. Tenga cuidado para no dañar la rejilla. Reemplace el parachispas si está dañado o agujereado.



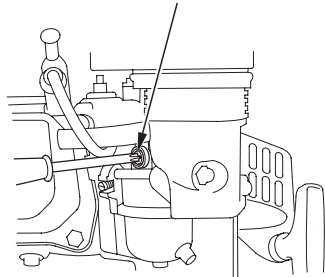
2. Instale el parachispas, el protector del silenciador, y el deflector de escape en el orden inverso al de la extracción.

VELOCIDAD DE RALENTÍ

Ajuste

1. Arranque el motor al aire libre, y deje que se caliente hasta alcanzar la temperatura de funcionamiento.
2. Mueva la palanca del acelerador a la posición mínima.
3. Gire el tornillo de tope de la mariposa de gases para obtener la velocidad de ralentí estándar.

TORNILLO DE TOPE DEL ACELERADOR



SUGERENCIAS Y OBSERVACIONES DE UTILIDAD

ALMACENAJE DEL MOTOR

Preparativos para el almacenaje

Los preparativos adecuados para el almacenaje son esenciales para mantener el motor exento de problemas y con buena apariencia exterior. Los pasos siguientes ayudarán a evitar que la oxidación y la corrosión afecten el funcionamiento y el aspecto exterior del motor, y facilitarán el arranque del motor cuando lo vuelva a utilizar.

Limpieza

Si el motor ha estado en marcha, espere a que se enfríe por lo menos media hora antes de efectuar la limpieza. Limpie todas las superficies exteriores, retoque cualquier parte dañada con pintura, y revista las otras partes que puedan oxidarse con una capa fina de aceite.

AVISO

Si se emplea una manguera de jardín o un equipo de lavado a presión, el agua puede forzarse al interior del filtro de aire o a la abertura del silenciador. Al agua dentro del filtro de aire mojará el filtro de aire, y el agua que pasa por el filtro de aire o el silenciador puede introducirse en el cilindro, y ocasionar daños.

Combustible

La gasolina se oxida y deteriora durante el almacenaje. La gasolina deteriorada dificulta el arranque, y deja acumulaciones de suciedad que obstruyen el sistema de combustible. Si se deteriora la gasolina del motor durante el almacenaje, es posible que tenga que solicitar el servicio o el reemplazo del carburador y de otros componentes del sistema de combustible.

El tiempo que puede dejarse la gasolina en el depósito de combustible y en el carburador sin que cause problemas funcionales variará de acuerdo con factores tales como la mezcla de la gasolina, la temperatura de almacenaje, y de si el depósito está parcialmente o completamente lleno. El aire de un depósito de combustible parcialmente lleno acelera el deterioro. Las temperaturas de almacenaje muy altas acelerarán también el deterioro del combustible. Los problemas con el combustible suelen ocurrir después de pocos meses, o incluso menos si la gasolina no era nueva cuando se llenó el depósito de combustible.

Los daños del sistema de combustible o los problemas de rendimiento del motor debidos a unos preparativos inadecuados para el almacenaje no están cubiertos por la *garantía limitada del distribuidor*.

Podrá extender la vida de servicio durante el almacenaje del combustible añadiendo un estabilizador de gasolina que esté formulado para este propósito, o podrá evitar los problemas del deterioro del combustible drenando el depósito de combustible y el carburador.

Adición de un estabilizador de gasolina para extender la duración de almacenaje del combustible

Cuando añada un estabilizador de gasolina, llene el depósito de combustible con gasolina nueva. Si sólo lo llena parcialmente, el aire que quede en el depósito acelerará el deterioro durante el almacenaje. Si conserva un recipiente de gasolina para repostar, asegúrese de que sólo contenga gasolina nueva.

1. Añada el estabilizador de gasolina siguiendo las instrucciones del fabricante.
2. Después de añadir un estabilizador de gasolina, deje en marcha el motor al aire libre durante 10 minutos para asegurarse de que la gasolina tratada ha reemplazado a la gasolina que no está tratada en el carburador.
3. Pare el motor.

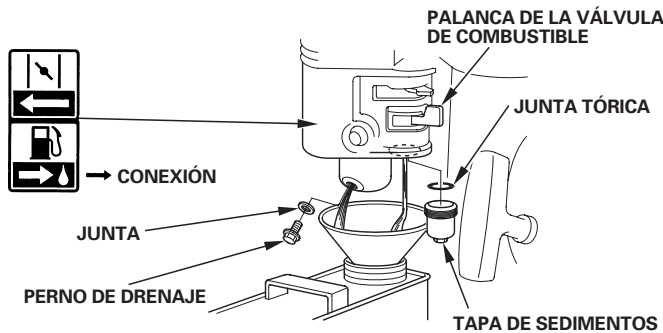
Velocidad de ralentí estándar: $1.400 \pm_{150}^{+200} \text{ min}^{-1} \text{ (rpm)}$

⚠ ADVERTENCIA

La gasolina es muy inflamable y explosiva, y correrá el peligro de quemaduras o de heridas graves al manipular el combustible.

- Pare el motor y mantenga apartados el calor, las chispas, y el fuego.
- Manipule el combustible sólo en exteriores.
- Frote inmediatamente el líquido derramado.

1. Ponga un recipiente de gasolina homologado debajo del carburador, y emplee un embudo para evitar el derrame de combustible.
2. Extraiga el perno de drenaje del carburador y la empaquetadura. Extraiga la taza de sedimentos y la junta tórica, y luego mueva la palanca de la válvula del combustible a la posición ON.

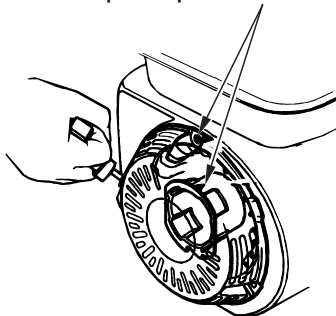


3. Después de haber drenado todo el combustible en el recipiente, vuelva a instalar el perno de drenaje, la empaquetadura, la taza de sedimentos y la junta tórica. Apriete con seguridad el perno de drenaje y la taza de sedimentos.

Aceite de motor

1. Cambie el aceite de motor (vea la página 9).
2. Extraiga la bujía (vea la página 12).
3. Introduzca una cucharada de 5–10 cm³ de aceite de motor limpio en el cilindro.
4. Tire varias veces de la cuerda del arrancador para que el aceite se distribuya por el cilindro.
5. Vuelva a instalar la bujía.
6. Tire lentamente de la cuerda del arrancador hasta notar resistencia y hasta que la muesca de la polea del arrancador se alinee con el orificio de la parte superior de la cubierta del arrancador de retroceso. De este modo se cerrarán las válvulas para que no pueda introducirse suciedad en el cilindro del motor. Deje que la cuerda del arrancador retorne con suavidad.

Alinee la muesca de la polea con el orificio de la parte superior de la cubierta.



Precauciones para el almacenaje

Si el motor debe almacenarse con gasolina en el depósito de combustible y en el carburador, es importante reducir el peligro de que se enciendan los gases de la gasolina. Seleccione un lugar de almacenaje bien ventilado apartado de todos los aparatos que funcionen con fuego, como puedan ser los hornos, calentadores de agua, o secadoras para la ropa. Evite también los lugares con motores eléctricos que produzcan chispas, o donde se utilicen herramientas eléctricas.

Si es posible, evite los lugares de almacenaje con mucha humedad, porque aceleran la oxidación y la corrosión.

Mantenga el motor nivelado durante el almacenaje. La inclinación podría ocasionar fugas de combustible o de aceite.

Cuando el motor y el sistema de escape estén fríos, cubra el motor para protegerlo contra el polvo. Si el motor y el sistema de escape están calientes pueden hacer que se enciendan o derritan algunos materiales. No emplee un trozo de plástico como cubierta contra el polvo. Una cubierta que no sea porosa no dejará escapar la humedad en torno al motor, acelerando la oxidación y la corrosión.

Si está provisto de una batería para los tipos de motor de arranque eléctrico, recargue la batería una vez al mes mientras el motor esté almacenado.

De este modo ayudará a prolongar la vida de servicio de la batería.

Salida del almacenaje

Compruebe el motor como se describe en la sección de *COMPROBACIONES PREVIAS A LA OPERACIÓN* de este manual (vea la página 3).

Si se había drenado el combustible durante los preparativos para el almacenaje, llene el depósito con gasolina nueva. Si conserva un recipiente de gasolina para repostar, asegúrese de que sólo contenga gasolina nueva. La gasolina se oxida y deteriora con el tiempo, dificultando el arranque.

Si se había revestido el cilindro con aceite durante los preparativos para el almacenaje, el motor produce un poco de humo al principio. Esto es normal.

TRANSPORTE

Mantenga nivelado el motor cuando lo transporte para reducir la posibilidad de que se produzcan fugas de combustible. Gire la válvula del combustible a la posición OFF (vea la página 5).

CUIDADOS PARA PROBLEMAS INESPERADOS

NO ARRANCA EL MOTOR	Causa posible	Corrección
1. Arranque eléctrico (tipos aplicables): Compruebe la batería y el fusible.	Batería descargada.	Recargue la batería.
	Fusible quemado.	Reemplace el fusible (p. 15).
2. Compruebe las posiciones de los controles.	Válvula del combustible en OFF.	Mueva la palanca a la posición ON.
	Estrangulador abierto.	Mueva la palanca a la posición CLOSED a menos que el motor esté caliente.
	Interruptor del motor en OFF.	Gire el interruptor del motor a la posición ON.
3. Compruebe el nivel de aceite de motor.	Bajo nivel de aceite de motor (modelos con alerta de aceite).	Llene con aceite del recomendado hasta el nivel adecuado (p. 9).
4. Compruebe el combustible.	No hay combustible.	Reposte (p. 8).
	Combustible inadecuado; motor guardado sin tratar o drenar la gasolina, o llenado con gasolina inadecuada.	Drene el depósito de combustible y el carburador (p. 14). Reposte con gasolina nueva (p. 8).
5. Extraiga e inspeccione la bujía.	Bujía defectuosa, sucia, o con un huelgo incorrecto.	Ajuste el huelgo o reemplace la bujía (p. 12).
	Bujía mojada de combustible (motor anegado).	Seque y vuelva a instalar la bujía. Ponga en marcha el motor con la palanca del acelerador en la posición MAX.
6. Lleve el motor a un concesionario de servicio autorizado Honda, o consulte el manual de taller.	Filtro de combustible restringido, mal funcionamiento del carburador, mal funcionamiento del encendido, válvulas agarrotadas, etc.	Reemplace o repare los componentes defectuosos como sea necesario.

LE FALTA POTENCIA AL MOTOR	Causa posible	Corrección
1. Compruebe el filtro de aire.	Elemento(s) del filtro restringido(s).	Limpie o reemplace el (los) elemento(s) del filtro (p. 11 - 12).
2. Compruebe el combustible.	Combustible inadecuado; motor guardado sin tratar o drenar la gasolina, o llenado con gasolina inadecuada.	Drene el depósito de combustible y el carburador (p. 14). Reposte con gasolina nueva (p. 8).
3. Lleve el motor a un concesionario de servicio autorizado Honda, o consulte el manual de taller.	Filtro de combustible restringido, mal funcionamiento del carburador, mal funcionamiento del encendido, válvulas agarrotadas, etc.	Reemplace o repare los componentes defectuosos como sea necesario.

REEMPLAZO DE FUSIBLES (tipos aplicables)

El circuito del relé del motor de arranque eléctrico y el circuito de carga de la batería están protegidos por un fusible. Si se quema el fusible, el motor de arranque eléctrico no funcionará. El motor podrá ponerse en marcha manualmente si se quema el fusible, pero el funcionamiento del motor no cargará la batería.

1. Extraiga el tornillo de 6 × 12 mm de la cubierta trasera de la caja del interruptor del motor.
2. Extraiga la cubierta del fusible, y luego inspeccione el fusible.

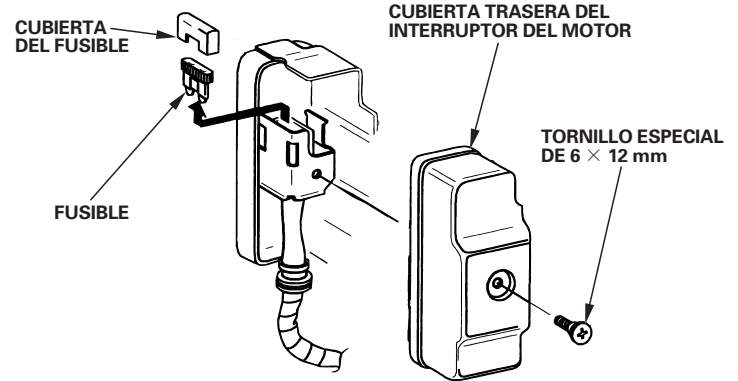
Si el fusible está quemado, tire el fusible quemado. Instale un fusible nuevo del mismo amperaje que el extraído, y vuelva a colocar la cubierta.

Si tiene alguna duda sobre el amperaje del fusible original, póngase en contacto con su concesionario de servicio de motores Honda.

AVISO

No utilice nunca un fusible con un amperaje mayor que el del que estaba originalmente equipado en el motor. Podrían producirse serios daños en el sistema eléctrico o podría producirse un incendio.

3. Vuelva a instalar la cubierta trasera. Instale el tornillo de 6 × 12 mm y apriételo con seguridad.



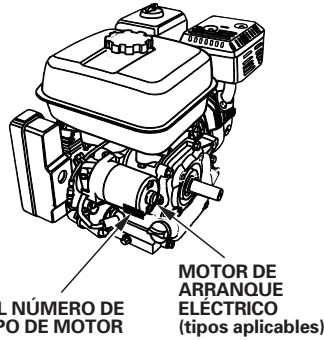
Las fallas frecuentes del fusible normalmente indican que hay un cortocircuito o una sobrecarga en el sistema eléctrico. Si el fusible se quema repetidamente, lleve el motor a un concesionario de servicio Honda para que lo repare.

INFORMACIÓN TÉCNICA Y DEL CONSUMIDOR

INFORMACIÓN TÉCNICA

Situación del número de serie

Anote el número de serie del motor en el espacio siguiente. Necesitará esta información cuando realice pedidos de partes y consultas técnicas o sobre la garantía.



Número de serie del motor: _____

Tipo de motor: _____

Fecha de adquisición: ____/____/____

Conexión de la batería para el motor de arranque eléctrico (tipos aplicables)

Emplee una batería de 12 voltios con un amperaje-hora de 18 Ah como mínimo.

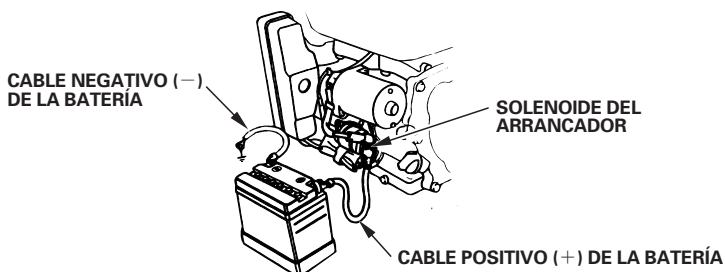
Tenga cuidado para no conectar la batería con las polaridades invertidas, porque cortocircuitaría el sistema de carga de la batería. Conecte siempre el cable positivo (+) de la batería al terminal de la batería antes de conectar el cable negativo (-) de la batería, para que sus herramientas no puedan causar un cortocircuito si tocan una parte puesta a tierra mientras se aprieta el extremo del cable positivo (+) de la batería.

⚠ ADVERTENCIA

Una batería puede explotar si no se sigue el procedimiento correcto, pudiendo ocasionar heridas a las personas que estén cerca.

Mantenga las chispas, el fuego, y el tabaco apartados de la batería.

1. Conecte el cable positivo (+) de la batería al terminal del solenoide del arrancador como se muestra.
2. Conecte el cable negativo (-) de la batería a un perno de montaje del motor, perno del bastidor, o a otro lugar de conexión de tierra apropiado del motor.
3. Conecte el cable positivo (+) de la batería al terminal positivo (+) de la batería como se muestra.
4. Conecte el cable negativo (-) de la batería al terminal negativo (-) de la batería como se muestra.
5. Revista los terminales y los extremos de los cables con grasa.

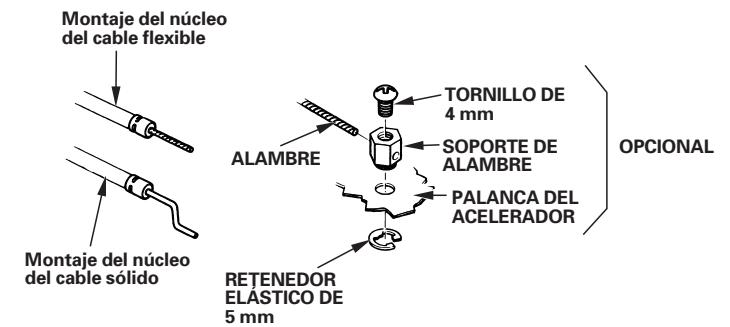
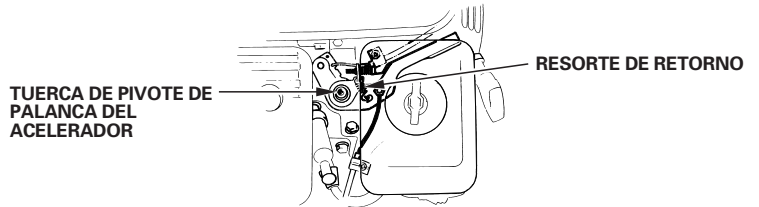


Enlace de control remoto

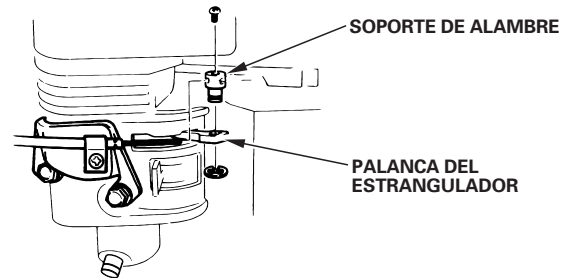
Las palancas de control del acelerador y del estrangulador están provistas de orificios para la instalación del cable opcional. Las ilustraciones siguientes muestran ejemplos de instalación de un cable sólido y de un cable trenzado flexible. Si emplea un cable trenzado flexible, añada un resorte de retorno como se muestra.

Es necesario aflojar la tuerca de fricción de la palanca del acelerador cuando se opere el acelerador con un control montado a distancia.

ENLACE DEL ACELERADOR REMOTO



ENLACE DEL ESTRANGULADOR REMOTO



Modificaciones del carburador para funcionar a gran altitud

A grandes altitudes, la mezcla normal de aire-combustible del carburador será demasiado rica. Se reducirá el rendimiento y aumentará el consumo de combustible. Si la mezcla es demasiado rica, ensuciará también la bujía y puede dificultar el arranque. El funcionamiento a una altitud distinta de la certificada para este motor, durante períodos prolongados de tiempo, puede ocasionar un incremento en las emisiones de escape.

El rendimiento a grandes altitudes podrá mejorar mediante modificaciones específicas en el carburador. Si siempre opera el motor a altitudes de más de 1.500 metros, solicite a su concesionario de servicio que efectúe esta modificación del carburador. Este motor conformará cada una de las normas sobre las emisiones de escape durante toda su vida de servicio cuando se opere a gran altitud con las modificaciones del carburador para funcionar a grandes altitudes.

Incluso con la modificación del carburador, la potencia del motor se reducirá aproximadamente el 3,5 % por cada 300 m de incremento de la altitud. El efecto de la altitud en la potencia será mayor si no se han efectuado las modificaciones en el carburador.

AVISO

Cuando se haya modificado el carburador para funcionar a gran altitud, la mezcla de aire-combustible será demasiado pobre para funcionar a bajas altitudes. El funcionamiento a altitudes de menos de 1.500 metros con el carburador modificado puede causar sobrecalentamiento del motor y ocasionar serios daños en el motor. Para el funcionamiento a bajas altitudes, solicite a su concesionario de servicio que reajuste el carburador a las especificaciones originales de fábrica.

Combustibles oxigenados

Algunas gasolinas convencionales se mezclan con alcohol o con un compuesto de éter. Estas gasolinas se agrupan con la denominación de combustibles oxigenados. Para cumplir las normas de aire limpio, algunas zonas de los Estados Unidos y de Canadá emplean combustibles oxigenados para ayudar a reducir las emisiones de escape.

Si usted emplea un combustible oxigenado, asegúrese de que no contenga plomo y que satisfaga los requisitos mínimos de octanaje.

Antes de emplear un combustible oxigenado, trate de confirmar el contenido del combustible. Algunos estados/provincias estipulan que esta información debe mostrarse en la bomba.

A continuación se mencionan los porcentajes de oxigenación homologados por EPA:

ETANOL ————— (etilo o alcohol de grano) 10 % por volumen
Podrá emplear gasolina con un contenido de etanol de hasta el 10 % por volumen. La gasolina que contiene etanol puede estar comercializada con el nombre de Gasohol.

MTBE ————— (metilo o éter butílico terciario) 15 % por volumen
Podrá emplear gasolina con un contenido de MTBE de hasta el 15 % por volumen.

METANOL ————— (metilo o alcohol de madera) 5 % por volumen
Podrá emplear gasolina con un contenido de metanol de hasta el 5 % por volumen siempre y cuando contenga cosolventes e inhibidores contra la corrosión para proteger el sistema de combustible. La gasolina que contenga más del 5 % de metanol por volumen puede causar problemas en el arranque y/o el rendimiento. También puede causar daños en las partes metálicas, de goma, y de plástico del sistema de combustible.

Si nota algún síntoma anormal en el funcionamiento, pruebe otra gasolinera o cambie a otra marca de gasolina.

Los daños en el sistema de combustible o los problemas de rendimiento debidos al empleo de combustible oxigenado con mayor contenido que los porcentajes de oxigenación arriba mencionados, no quedarán cubiertos por la *garantía limitada del distribuidor*.

Información del sistema de control de las emisiones de escape

Origen de las emisiones de escape

El proceso de combustión produce monóxido de carbono, óxidos de nitrógeno, e hidrocarburos. El control de los hidrocarburos y de los óxidos de nitrógeno es muy importante porque, bajo ciertas condiciones, reaccionan para formar humo fotoquímico cuando se exponen a la luz solar. El monóxido de carbono no reacciona del mismo modo, pero es tóxico.

Honda emplea ajustes del carburador de mezcla pobre y otros sistemas para reducir las emisiones de monóxido de carbono, de óxidos de nitrógeno, y de hidrocarburos.

Actas sobre el aire limpio de California, EE.UU., y sobre el medio ambiente de Canadá

Las regulaciones de EPA, de California y Canadá estipulan que todos los fabricantes deben proporcionar instrucciones escritas que describan la operación y el mantenimiento de los sistemas de control de las emisiones de escape.

Deberán seguirse las instrucciones y procedimientos siguientes para mantener las emisiones de escape del motor Honda dentro de lo estipulado por las normas sobre las emisiones de escape.

Manipulación indebida y alteraciones

La manipulación indebida o las alteraciones del sistema de control de las emisiones de escape pueden incrementar las emisiones hasta sobrepasar el límite legal. Entre los actos que constituyen manipulación indebida se encuentran:

- Extracción o alternación de cualquier parte de los sistemas de admisión, combustible, o escape.
- Alternación o supresión de la articulación del regulador o del mecanismo de ajuste de la velocidad para que el motor funcione fuera de sus parámetros de diseño.

Problemas que pueden afectar las emisiones de escape

Si percibe alguno de los síntomas siguientes, solicite a su distribuidor de servicio que inspeccione y repare el motor.

- Cuesta arrancar o se cala después de arrancar.
- Ralentí irregular.
- Fallos de encendido o detonaciones bajo carga.
- Combustión retardada (detonaciones).
- Humo negro de escape o alto consumo de combustible.

Repuestos

Los sistemas de control de las emisiones de escape de su motor Honda han sido diseñados, fabricados y certificados para conformar las regulaciones de las emisiones de escape estipuladas por EPA, de California y Canadá. Recomendamos el empleo de repuestos genuinos de Honda cuando se haga el mantenimiento. Estos repuestos de diseño original están fabricados con las mismas normas que las partes originales, por lo que podrá confiar en su rendimiento. El empleo de repuestos que no son de diseño y calidad originales puede degradar la efectividad de su sistema de control de las emisiones de escape.

Los fabricantes del mercado de repuestos asumen la responsabilidad de que el repuesto no afectará adversamente el rendimiento de las emisiones de escape. El fabricante o el remodelador del repuesto deberá certificar que el empleo del repuesto no ocasionará fallas del motor para que éste pueda cumplir las regulaciones sobre las emisiones de escape.

Mantenimiento

Siga el programa de mantenimiento de la página 7. Recuerde que este programa se basa en la suposición de que su máquina se utiliza para su propósito original. El funcionamiento continuado con grandes cargas o altas temperaturas, o la utilización en condiciones de mucha humedad o polvo, requerirá que se realice el servicio con más frecuencia.

Índice de aire

En los motores que están certificados para un período de durabilidad de las emisiones de acuerdo con las estipulaciones del Consejo de recursos de aire de California se le cuelga o adhiere una etiqueta de información sobre el índice de aire.

El gráfico de barras tiene el propósito de proporcionarle a usted, nuestro cliente, la posibilidad de comparar el rendimiento de las emisiones de escape de los motores disponibles. Cuanto más bajo es el índice de aire, menos contaminación produce.

La descripción de la durabilidad tiene el propósito de informarle sobre el período de durabilidad de las emisiones de escape del motor. El término descriptivo indica el período de vida de servicio del sistema de control de las emisiones de escape del motor. Consulte la *garantía del sistema de control de las emisiones* de escape para encontrar más información al respecto.

Término descriptivo	Aplicable al período de durabilidad de las emisiones
Moderado	50 horas (0 – 65 cm ³) 125 horas (más de 65 cm ³)
Intermedio	125 horas (0 – 65 cm ³) 250 horas (más de 65 cm ³)
Extendido	300 horas (0 – 65 cm ³) 500 horas (más de 65 cm ³)

La etiqueta de información del índice de aire que está colgada o adherida al motor, deberá permanecer en el motor hasta el momento de su venta. Antes de poner en funcionamiento el motor, extraiga la etiqueta colgada.

Especificaciones

GX120 (Eje de la toma de fuerza del tipo S)

Longitud × Anchura × Altura	297 × 341 × 318 mm
Peso en seco	13,0 kg
Tipo de motor	4 tiempos, válvulas en cabeza, monocilíndrico
Cilindrada	119 cm ³
[Calibre × carrera]	[60 × 42 mm]
Potencia máx.	2,9 kW (4,0 PS) a 3.600 min ⁻¹ (rpm)
Torsión máx.	7,4 N·m (0,75 kgf·m) a 2.500 min ⁻¹ (rpm)
Capacidad de aceite de motor	0,60 ℓ
Capacidad del depósito de combustible	2,5 ℓ
Consumo de combustible	313 g/kWh (230 g/PSH)
Sistema de enfriamiento	Aire forzado
Sistema de encendido	Magneto transistorizado
Rotación del eje de la toma de fuerza	Hacia la izquierda

GX160 (Eje de la toma de fuerza del tipo S)

Longitud × Anchura × Altura	304 × 362 × 335 mm
Peso en seco	15,0 kg
Tipo de motor	4 tiempos, válvulas en cabeza, monocilíndrico
Cilindrada	163 cm ³
[Calibre × carrera]	[68 × 45 mm]
Potencia máx.	4,0 kW (5,5 PS) a 3.600 min ⁻¹ (rpm)
Torsión máx.	10,8 N·m (1,1 kgf·m) a 2.500 min ⁻¹ (rpm)
Capacidad de aceite de motor	0,60 ℓ
Capacidad del depósito de combustible	3,6 ℓ
Consumo de combustible	313 g/kWh (230 g/PSH)
Sistema de enfriamiento	Aire forzado
Sistema de encendido	Magneto transistorizado
Rotación del eje de la toma de fuerza	Hacia la izquierda

GX200 (Eje de la toma de fuerza del tipo S)

Longitud × Anchura × Altura	313 × 376 × 335 mm
Peso en seco	16,0 kg
Tipo de motor	4 tiempos, válvulas en cabeza, monocilíndrico
Cilindrada	196 cm ³
[Calibre × carrera]	[68 × 54 mm]
Potencia máx.	4,8 kW (6,5 PS) a 3.600 min ⁻¹ (rpm)
Torsión máx.	13,2 N·m (1,35 kgf·m) a 2.500 min ⁻¹ (rpm)
Capacidad de aceite de motor	0,60 ℓ
Capacidad del depósito de combustible	3,6 ℓ
Consumo de combustible	313 g/kWh (230 g/PSH)
Sistema de enfriamiento	Aire forzado
Sistema de encendido	Magneto transistorizado
Rotación del eje de la toma de fuerza	Hacia la izquierda

Especificaciones de reglaje GX120/160/200

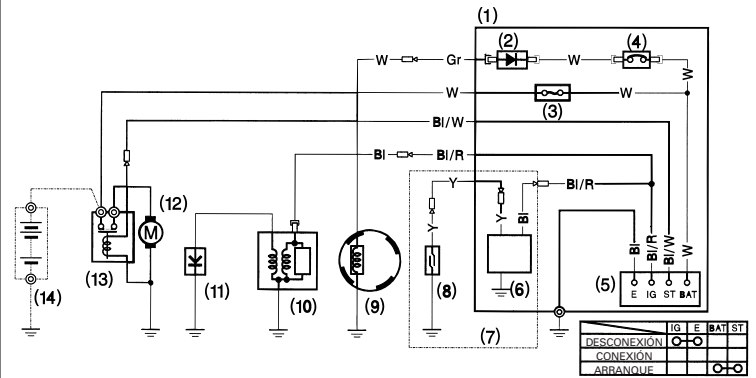
ELEMENTO	ESPECIFICACIONES	MANTENIMIENTO
Huelgo de bujía	0,70 – 0,80 mm	Consulte la página: 12
Velocidad de ralentí	1.400 \pm ₁₅₀ ²⁰⁰ min ⁻¹ (rpm)	Consulte la página: 13
Holgura de válvulas (en frío)	ADMISIÓN: 0,15 ± 0,02 mm ESCAPE: 0,20 ± 0,02 mm	Consulte a su concesionario Honda autorizado
Otras especificaciones	No se requiere ningún otro ajuste.	

Información de referencia rápida

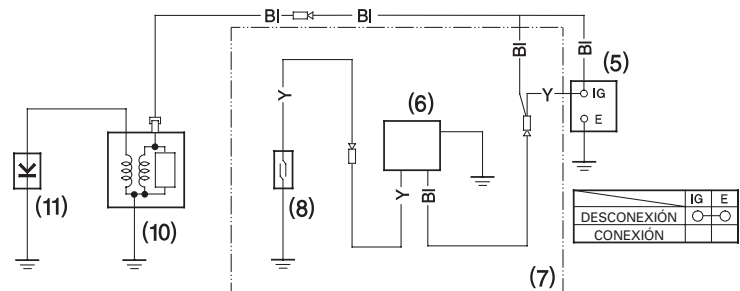
Combustible	Gasolina sin plomo (Consulte la página 8)	
	EE.UU.	Valor de octanos de bomba de 86 o más alto
	Excepto EE.UU.	Valor de octanos de investigación de 91 o más alto
Aceite de motor	SAE 10W-30, API SJ o SL para aplicaciones generales. Consulte la página 8.	
Aceite de la caja de reducción	El mismo aceite que el aceite de motor, vea arriba (tipos aplicables).	
Bujía	BPR6ES (NGK) W20EPR-U (DENSO)	
Mantenimiento	Antes de cada utilización:	
	<ul style="list-style-type: none"> Compruebe el nivel de aceite de motor. Consulte la página 9. Aceite de la caja de reducción (tipos aplicables). Consulte la página 9 – 10. Compruebe el filtro de aire. Consulte la página 10. 	
	Primeras 20 horas:	
	<ul style="list-style-type: none"> Cambie el aceite de motor. Consulte la página 9. Cambie el aceite de la caja de reducción (tipos aplicables). Consulte la página 10. 	
	Subsecuentemente: Consulte el programa de mantenimiento de la página 7.	

Diagramas de conexiones

Con alerta de aceite Oil Alert® y motor de arranque eléctrico



Con alerta de aceite Oil Alert® y sin motor de arranque eléctrico



- | | |
|--|-------------------------------------|
| (1) CAJA DE CONTROL | (8) INTERRUPTOR DEL NIVEL DE ACEITE |
| (2) RECTIFICADOR | (9) BOBINA DE CARGA |
| (3) FUSIBLE | (10) BOBINA DE ENCENDIDO |
| (4) DISYUNTOR | (11) BUJÍA |
| (5) INTERRUPTOR DEL MOTOR | (12) MOTOR DE ARRANQUE |
| (6) UNIDAD DE ALERTA DEL ACEITE | (13) SOLENOIDE DEL ARRANCADOR |
| (7) Tipo con unidad de alerta del aceite | (14) BATERÍA (12 V) |

BI	Negro	Br	Marrón
Y	Amarillo	O	Naranja
Bu	Azul	Lb	Azul claro
G	Verde	Lg	Verde claro
R	Rojo	P	Rosa
W	Blanco	Gr	Gris

INFORMACIÓN DEL CONSUMIDOR

Información para encontrar distribuidores/concesionarios

Estados Unidos, Puerto Rico, e Islas Vírgenes Estadounidenses:

Llame al (800) 426-7701

o visite nuestro sitio en la Web: www.honda-engines.com

Canadá:

Llame al (888) 9HONDA9

o visite nuestro sitio en la Web: www.honda.ca

Para la zona de Europa:

visite nuestro sitio en la Web: <http://www.honda-engines-eu.com>

Información de servicio de clientes

El personal de los concesionarios de servicio son profesionales entrenados.

Ellos podrán contestar a cualquier pregunta que usted les haga. Si se encuentra con un problema que su concesionario no puede resolver para dejarle satisfecho, comuníquese al jefe del concesionario. El jefe de servicio, el director general, o el propietario podrán ayudarle. Casi todos los problemas se resuelven de este modo.

Estados Unidos, Puerto Rico, e Islas Vírgenes Estadounidenses:

Si no queda satisfecho con la decisión tomada por los jefes del concesionario, póngase en contacto con el distribuidor regional de motores Honda de su localidad.

Si todavía no está satisfecho después de hablar con el distribuidor de motor regional, podrá ponerse en contacto con la Oficina de Honda como se muestra.

Todas las otras zonas:

Si no queda satisfecho con la decisión tomada por los jefes del concesionario, póngase en contacto con la Oficina de Honda como se muestra.

《Oficinas Honda》

Cuando escriba o llame, tenga la amabilidad de incluir la información siguiente:

- Nombre del fabricante y número de modelo del equipo al que se ha montado el motor
- Modelo, número de serie, y tipo del motor (vea la página 16)
- Nombre del concesionario que le vendió el motor
- Nombre, dirección, y persona de contacto del concesionario que realiza el servicio de su motor
- Fecha de adquisición
- Su nombre, dirección y número de teléfono
- Una descripción detallada del problema

Estados Unidos, Puerto Rico, e Islas Vírgenes Estadounidenses:

American Honda Motor Co., Inc.

Power Equipment Division
Customer Relations Office
4900 Marconi Drive
Alpharetta, GA 30005-8847

O llamar por teléfono: (770) 497-6400, 8:30 am - 8:00 pm EST

Canadá:

Honda Canada, Inc.

715 Milner Avenue
Toronto, ON
M1B 2K8

Teléfono: (888) 9HONDA9
(888) 946-6329

Inglés: (416) 299-3400

Francés: (416) 287-4776

Facsímil: (877) 939-0909

(416) 287-4776

Llamada sin cargo

Área de marcación local de Toronto

Área de marcación local de Toronto

Llamada sin cargo

Área de marcación local de Toronto

Australia:

Honda Australia Motorcycle and Power Equipment Pty. Ltd.

1954 – 1956 Hume Highway Campbellfield Victoria 3061

Teléfono: (03) 9270 1111

Facsímil: (03) 9270 1133

Para la zona de Europa:

Honda Europe NV.

European Engine Center

<http://www.honda-engines-eu.com>

Todas las otras zonas:

Póngase en contacto con el distribuidor Honda de su zona para que le ayude.

HONDA
The Power of Dreams