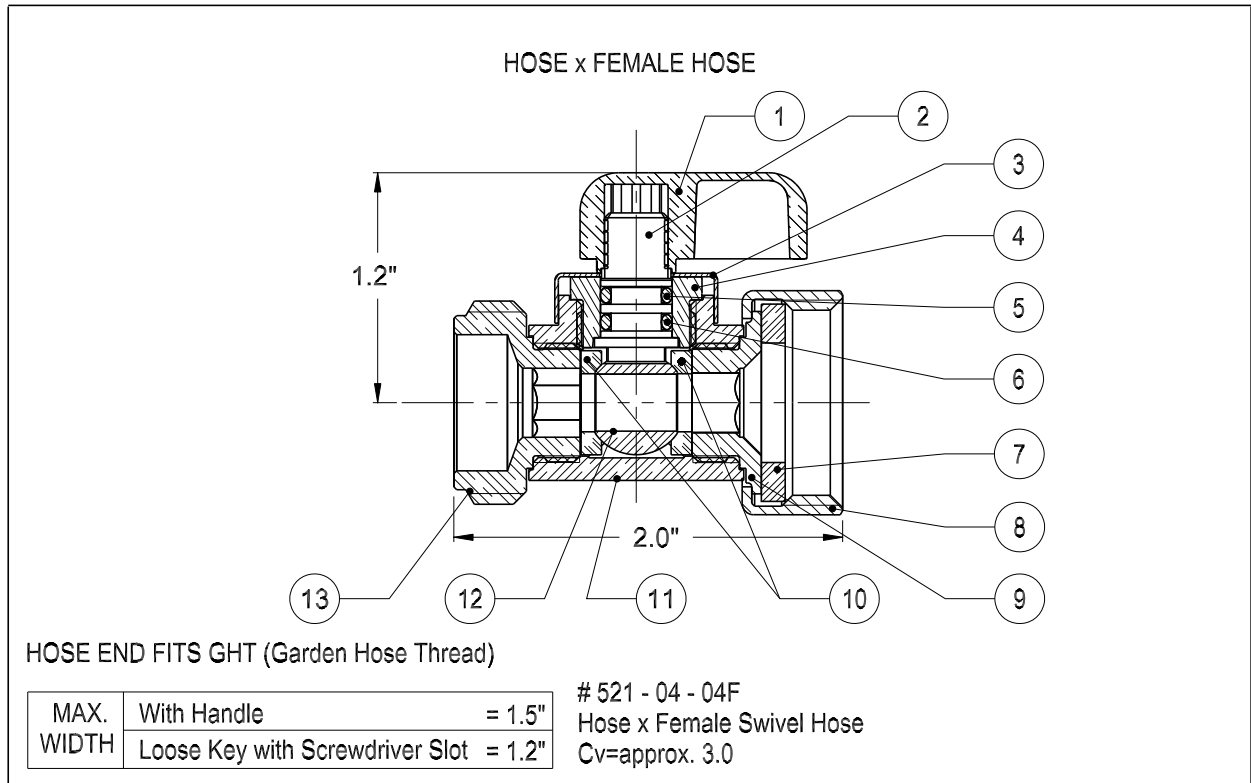


dahl-ECO mini-ball™ Valve

Lead-Free Compliant - Plumbing



Text Below Represents Brass Finish

- | | |
|--|---|
| <ul style="list-style-type: none"> 1. Handle - Nickel Plated Zinc 2. Spindle - (not a wetted surface) - Nickel Plated Brass 3. Handle Stop Cap - Brass 4. Spindle Bushing - (not a wetted surface) - Brass 5. O-Ring - EPDM 6. O-Ring - Fluorocarbon (FKM) 7. Gasket - EPDM | <ul style="list-style-type: none"> 8. Hose Coupling - Brass 9. End - Female Hose Swivel - Brass 10. Seals - PTFE 11. Body - (not a wetted surface) - Brass 12. Ball - Plated Brass 13. End - Hose - Brass |
|--|---|

Working Pressure: 250 psi / 250°F
depending on pipe material.

, UPC
 NSF / ANSI 61-G
 NSF / ANSI 372

Designed and Manufactured in
Canada

Also available: Loose Key with Screwdriver Slot operation



dahl brothers canada limited

2600 S. SHERIDAN WAY, MISSISSAUGA, ON, CANADA L5J 2M4
 905-822-2330 CAN 800-268-5355 U.S. 800-268-2363
 FAX(905) 855-1450, USA AND CANADA 800-226-1801
sales@dahlvalve.com www.dahlvalve.com

We reserve the right to alter prices and/or technical details without notice