

FIG. BL-1000

200 WOG LUG STYLE BUTTERFLY VALVE - LEVER HANDLE



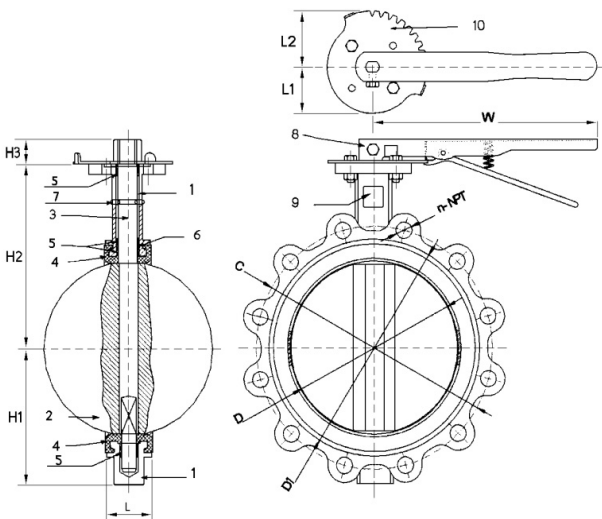
Features:

- Valves meet MSS-SP67 & API 609
- Flange drilling to: ANSI B16.1 Class 125/150 Testing to: API 598

Test Pressures	Shell: 300 psi
	Seat: 220 psi

Materials List:

No.	Part Name	BL-1000-11 DBL/DEL	B-1000-22 DBL/DEL
1	Body	Ductile Iron	Ductile Iron
2	Disc	Ductile Iron*	CF8M SS 316
3	Stem	SS 410	SS 410
4	Seat	Buna-N/EPDM	Buna-N/EPDM
5	Bushing	PTFE	PTFE
6	O-Ring	Buna-N	Buna-N
7	Pin	Carbon Steel	Carbon Steel
8	Hand lever	Malleable Iron	Malleable Iron
9	Name Plate	Aluminum Plate	Aluminum Plate
10	Notch Plate	Stainless Steel	Stainless Steel



* Nickel plated

Material	Range
Buna-N	-12°C ~+ 93°C
EPDM	-30°C ~+ 140°C
Neoprene	-7°C ~+ 107°C
Hypalon	-18°C ~+ 149°C
Viton	-12°C ~+ 140°C
PTFE	-20°C ~+ 121°C

Note: Seat materials are capable of withstanding lower temperatures without damage. However, the elastomer becomes hard and torques increase. Some flow media may further restrict the published temperature limits and/or significantly reduce seat life.

Options:

- Seats: Buna-N, EPDM, Hypalon, Viton, Neoprene, PTFE.
- Disc: Nickel plated Ductile iron, nylon coated ductile Iron, aluminum bronze, 316 stainless steel.
- Body: Cast iron, ductile iron.
- Note: Please refer to "Numbering System" sheet to obtain detailed figure numbers.

Caution: All 1000 series valves must be installed in the partial open position. Installing in the full closed position may damage the seat during start up and void any warranties.

Dimensions:

Size	D		L		H1		H2		H3		Flange			L1		L2		W		Weight				
	in	mm	in	mm	in	mm	in	mm	in	mm	C	D1	n-NPT	in	mm	in	mm	in	mm	lb	kg			
2	50	2.00	51.00	1.70	43.00	2.80	71.00	5.50	140	1.30	33	4.80	120.70	3.70	95	4 5/8	1.90	50	2.60	67	10.40	265	9.50	4.30
2 1/2	65	2.50	62.80	1.80	45.80	3.10	78.00	6.00	152	1.30	33	5.50	139.70	4.30	109	4 5/8	1.90	50	2.60	67	10.40	265	12.00	5.50
3	80	3.10	78.00	1.80	45.80	3.90	100.00	6.30	159	1.30	33	6.00	152.40	5.00	127	4 5/8	1.90	50	2.60	67	10.40	265	12.00	5.60
4	100	4.00	102.50	2.00	52.00	4.00	102.00	7.00	178	1.30	33	7.50	190.50	6.00	152	8 5/8	1.90	50	2.60	67	10.40	265	21.00	9.40
5	125	4.80	121.50	2.20	55.50	4.60	118.00	7.50	191	1.40	37	8.50	215.90	7.20	182	8 3/4	1.90	50	2.60	67	10.40	265	28.00	12.70
6	150	6.00	154.00	2.20	55.50	5.10	130.00	8.00	204	1.37	35	9.50	241.30	8.00	207	8 3/4	1.90	50	2.60	67	10.40	265	29.00	13.10
8	200	7.90	201.00	2.30	59.50	6.40	163.00	9.40	238	1.70	43	11.80	298.50	10.40	264	8 3/4	2.70	70	3.40	87	14.00	357	43.00	19.50
10	250	9.80	249.00	2.60	67.20	7.80	198.00	10.60	270	1.50	38	14.30	362.00	12.50	317	12 7/8	2.70	78	3.50	90	14.00	357	63.00	28.50
12	300	11.80	300.00	3.00	77.00	9.30	235.00	12.40	315	1.70	43	17.00	431.80	14.60	370	12 7/8	2.70	78	3.50	90	14.00	357	92.00	42.00